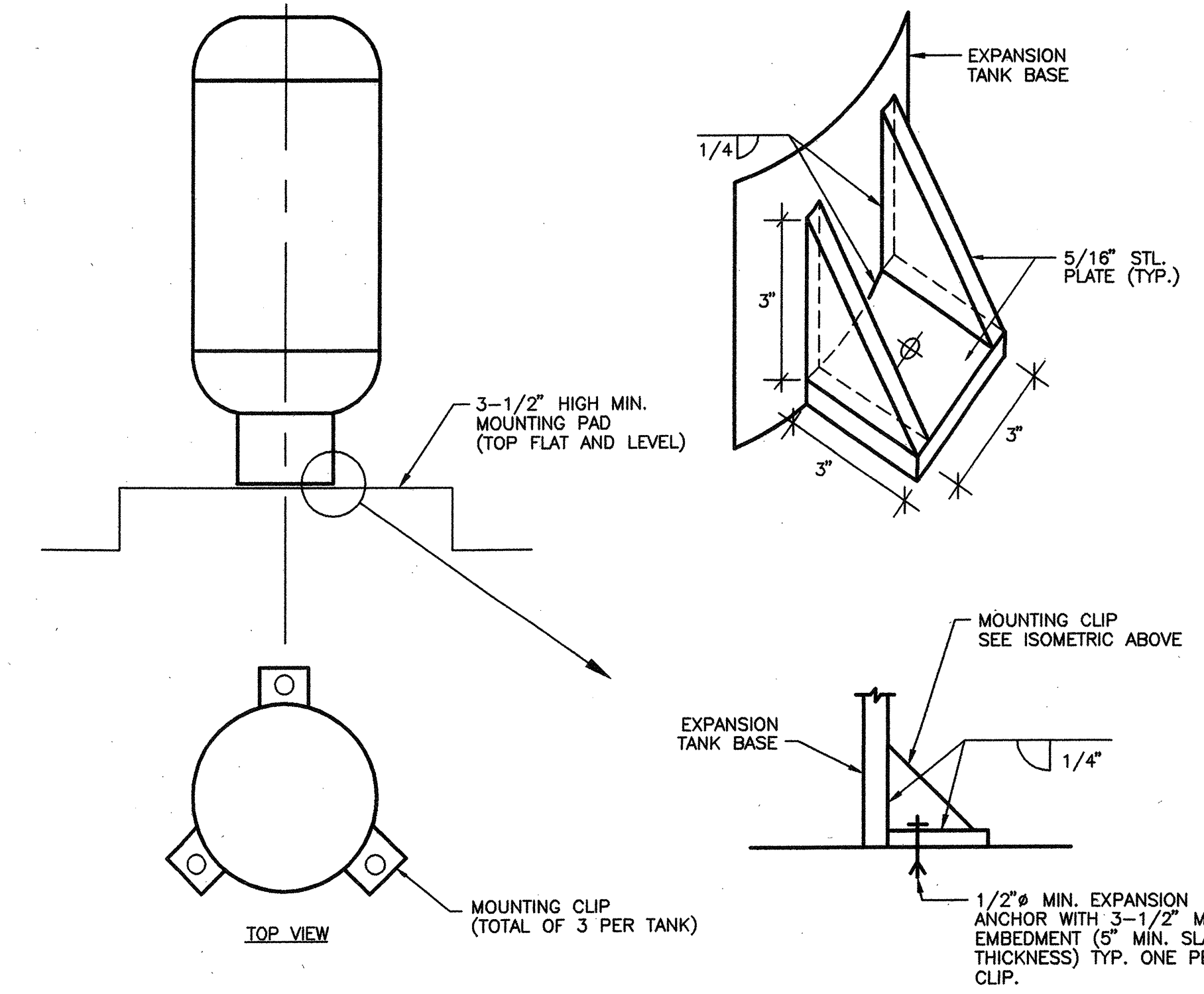
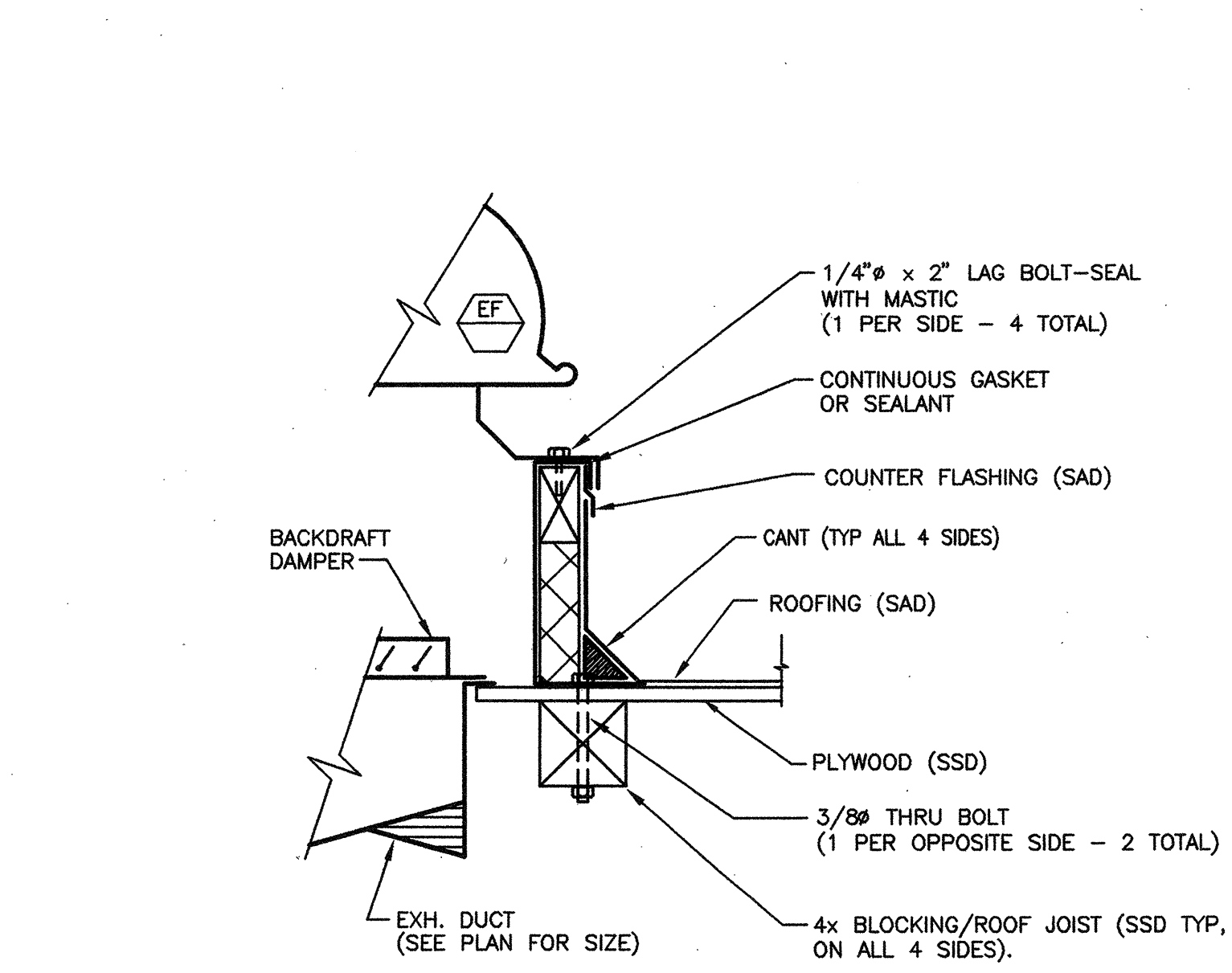


20 19 18 17 16 15 14 13 12 11 10 9 8 7 6 5 4 3 2 1

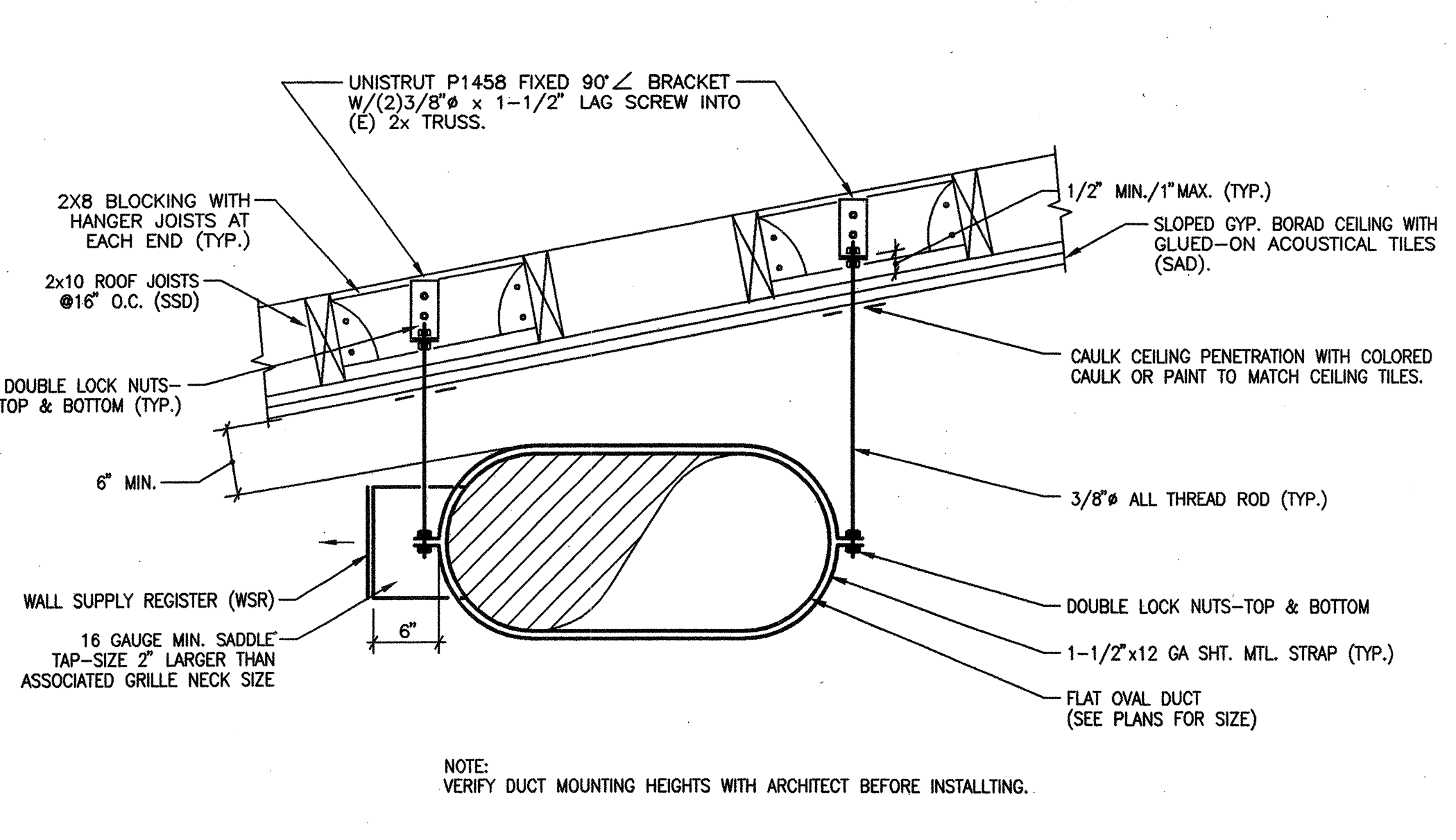
U  
T  
S  
R  
Q  
N  
M  
L  
K  
J  
H  
G  
F  
E  
D  
C  
B  
A



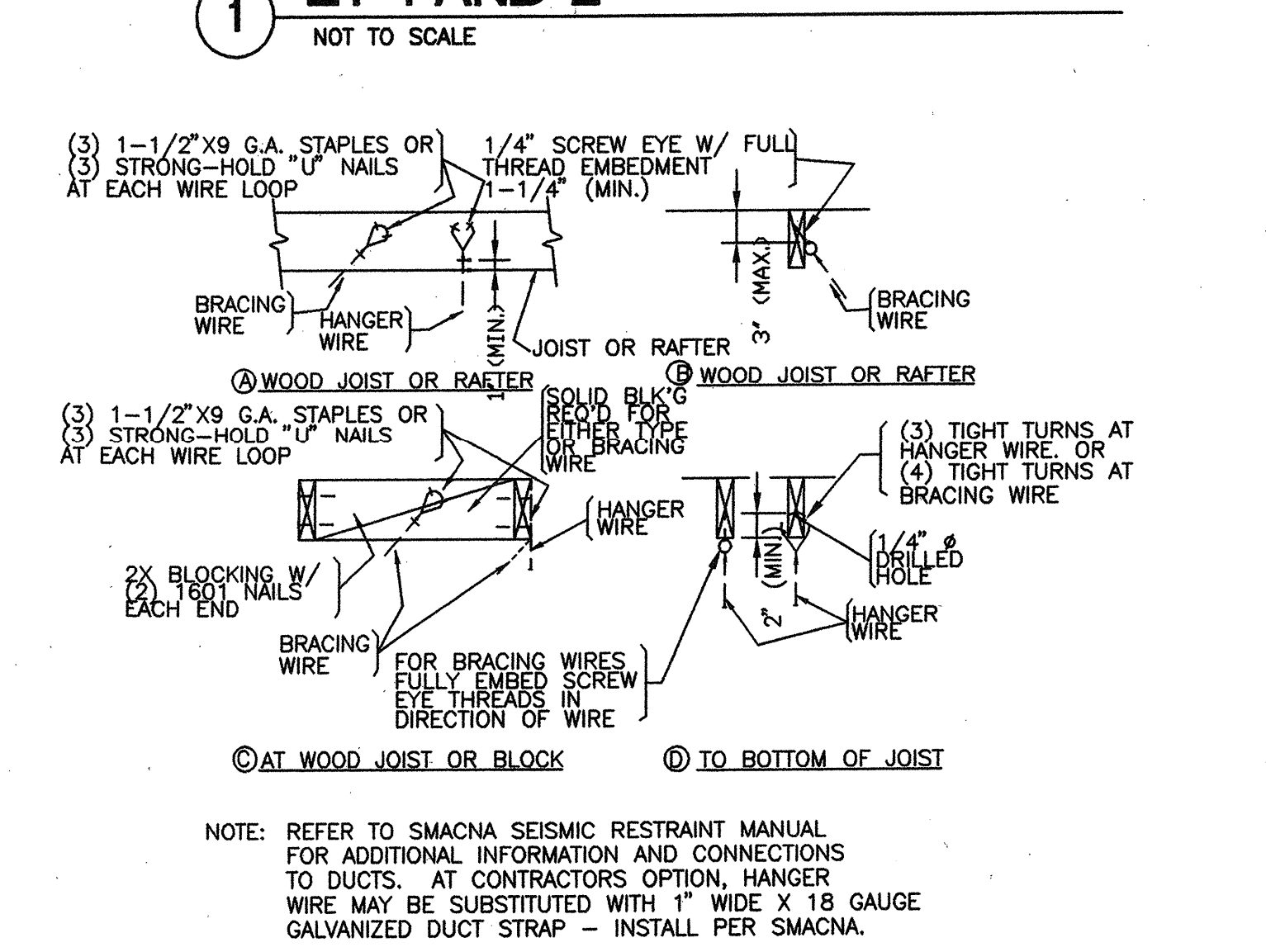
1 ET-1 AND 2  
NOT TO SCALE



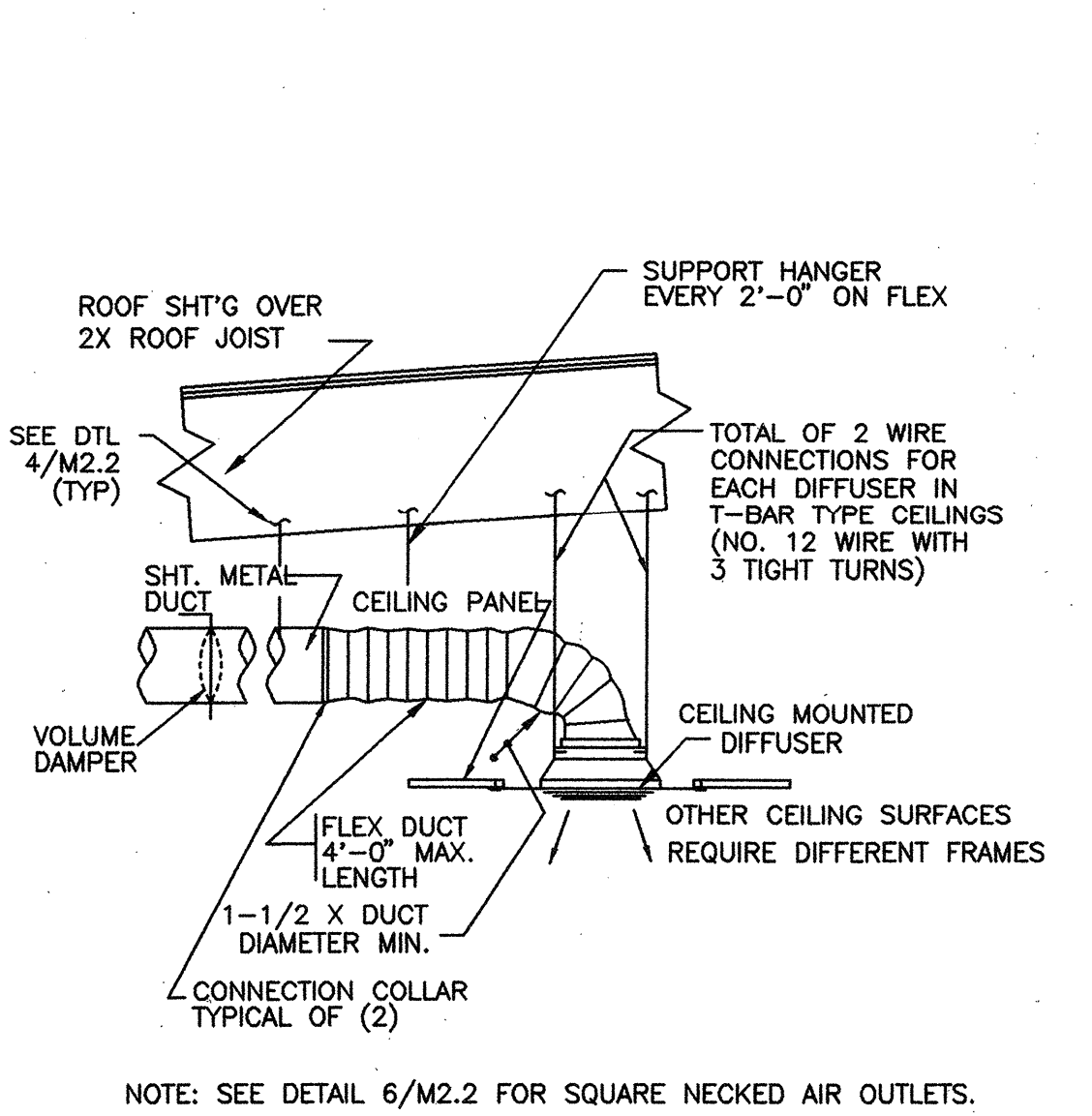
2 TYPICAL ROOF MOUNTED EXHAUST FAN DETAIL (GRAVITY HOOD SIMILAR)  
NOT TO SCALE



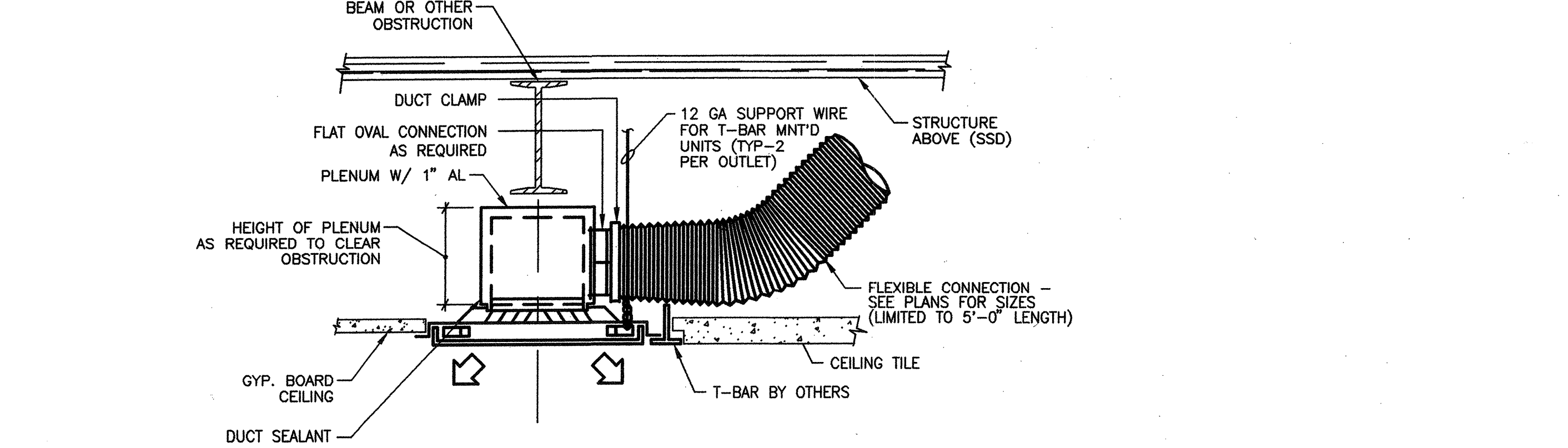
3 EXPOSED SUPPLY DUCT SUPPORT AND DUCT-MOUNTED SUPPLY REGISTER DETAIL  
NOT TO SCALE



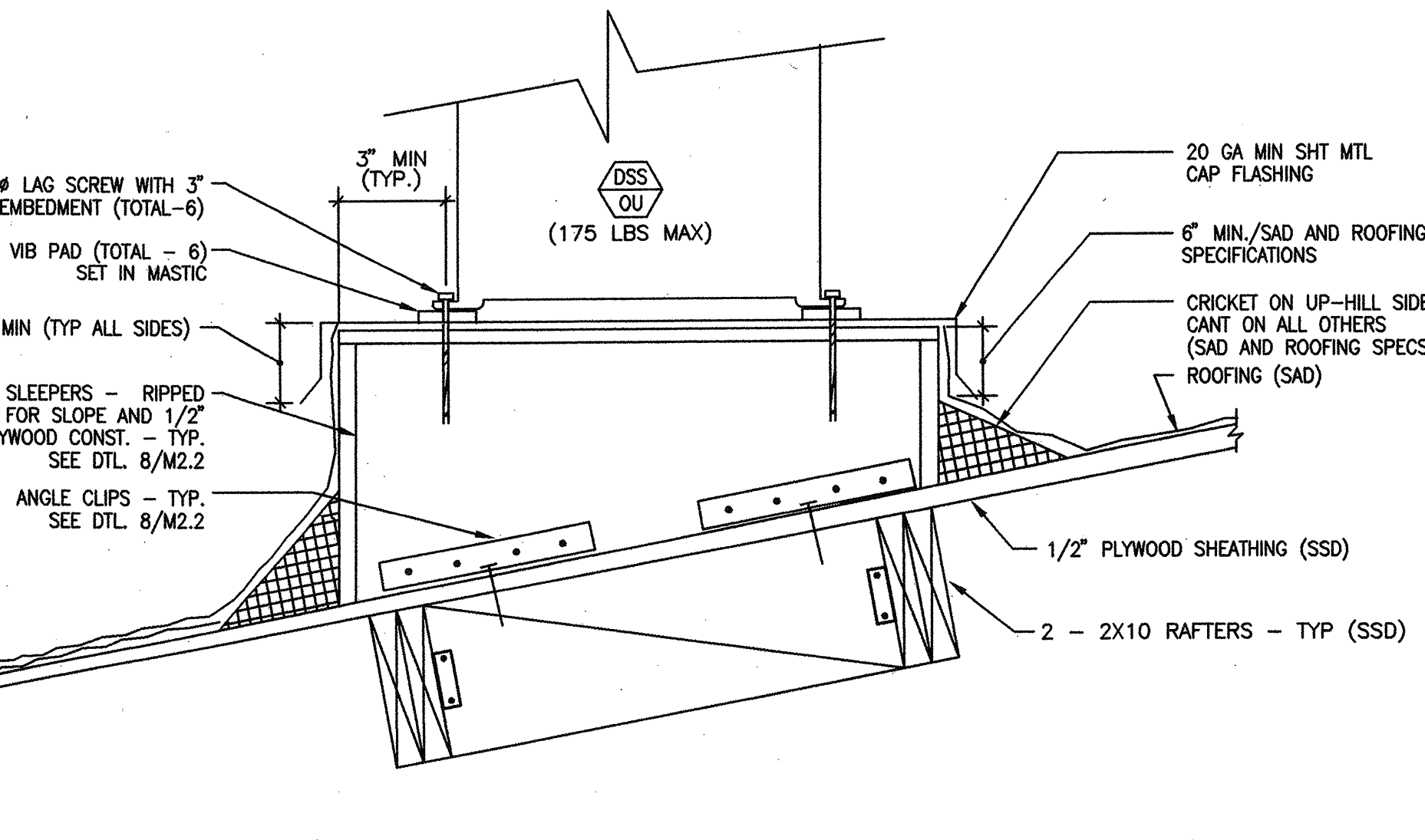
4 TYP. DUCT SUPPORT HANGER WIRE CONNECTION FOR RAFTERS  
NOT TO SCALE



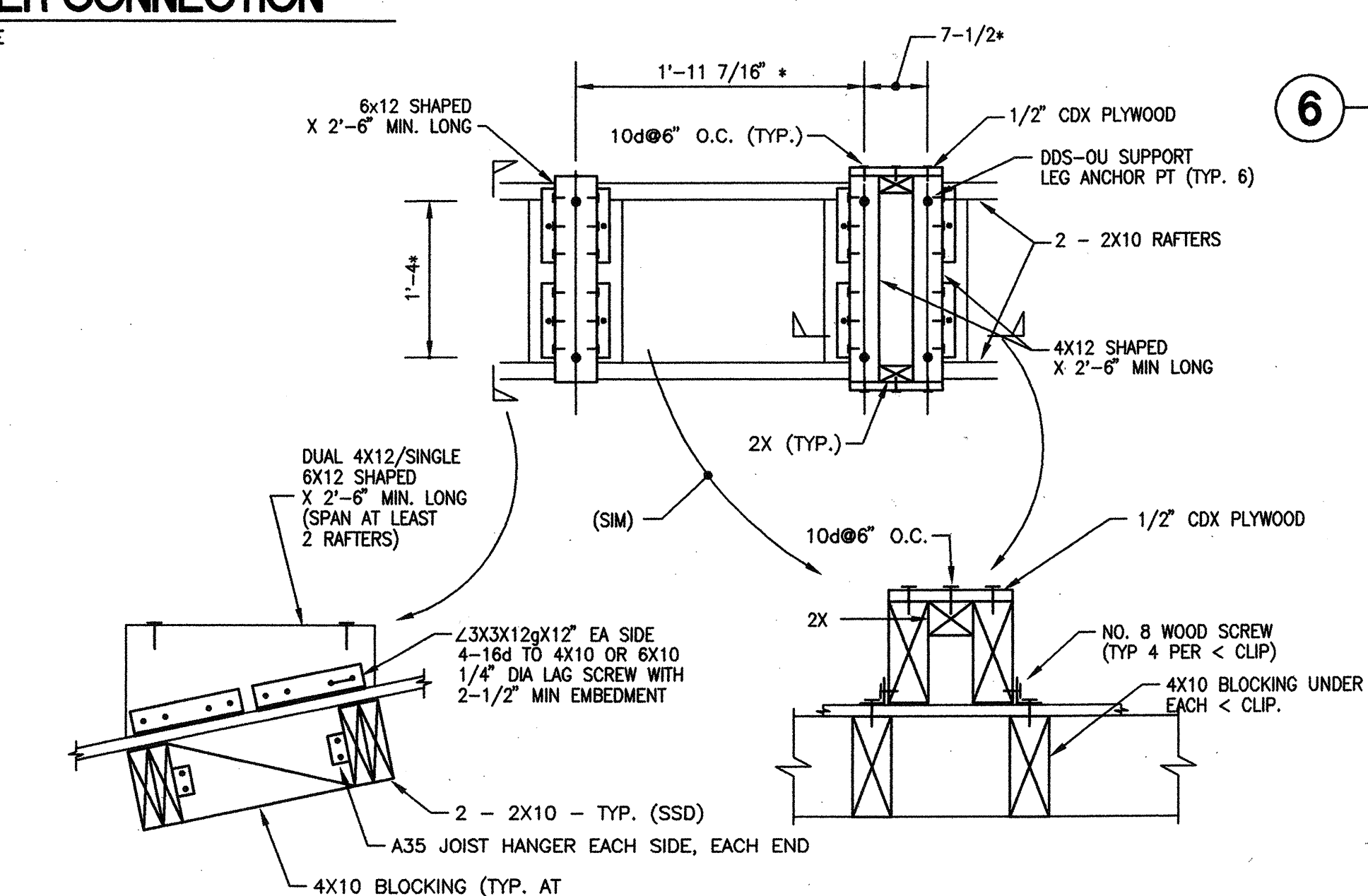
5 DIFFUSER CONNECTION  
NOT TO SCALE



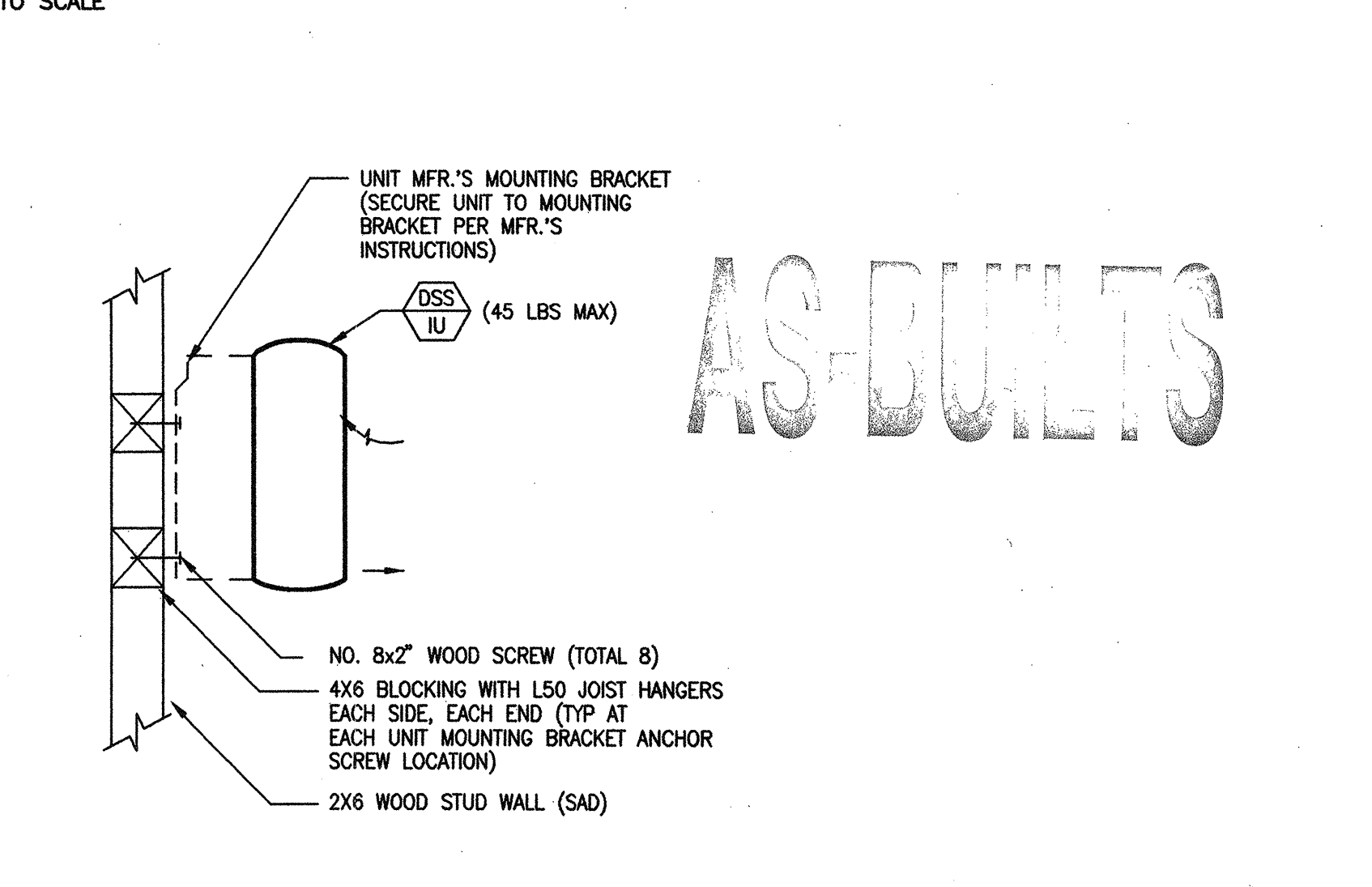
6 SQUARE NECK CEILING AIR OUTLET DETAIL  
NOT TO SCALE



7 DSS - OU UNIT INSTALLATION DETAIL  
SCALE: NOT TO SCALE



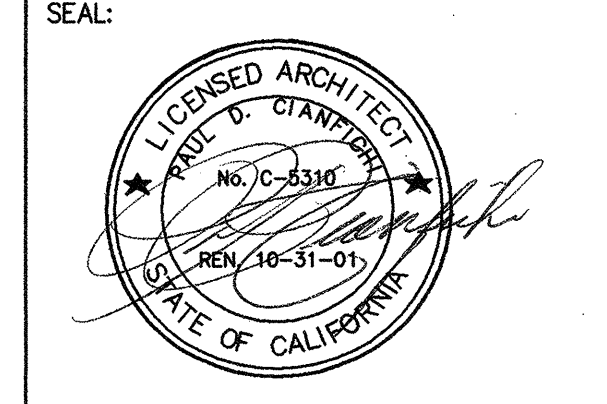
8 DSS-OU UNIT SUPPORT DETAIL  
SCALE: NONE



9 DSS-IU MOUNTING DETAIL  
NOT TO SCALE

05/09/01 2:42:08 PM F:\C:\2000\2108-1\000\DRAWINGS\2108M22.DWG

REVISIONS:	NO.	DATE	REASON	BY
ISSUE FOR PROGRESS REVIEW				
ISSUE FOR OWNER APPROVAL				
ISSUE FOR PERMIT		05/09/01		
ISSUE FOR BID				
ISSUE FOR CONSTRUCTION				



MECHANICAL DESIGN STUDIO inc  
3330 Clayton Rd., Suite B  
Chico, California 95926  
Tel: 925.680.6888  
Fax: 925.680.6346  
www.mds-studio.com  
PROJECT # 2108.00

PROJECT:  
**CHILD DEVELOPMENT CENTER  
CANADA COLLEGE**

4200 FARM HILL BLVD.  
REDWOOD CITY, CA 94061

SAN MATEO COUNTY COMMUNITY COLLEGE DISTRICT

STAMP: IDENTIFICATION STAMP  
OUTSIDE OF THE SCALE ARCHITECT

APPROVAL: 10/5/20  
DATE: 5/27/01  
APPL. NUMBER:  
KEY PLAN:

SHEET TITLE:  
**DETAILS AND DIAGRAMS**

DRAWN BY: PROJECT NO.: 304.99  
CHECKED BY: DATE: 01-22-2001  
APPL. NO.: SHEET: M2.2  
DATA NO.: NO. OF:

20 19 18 17 16 15 14 13 12 11 10 9 8 7 6 5 4 3 2 1