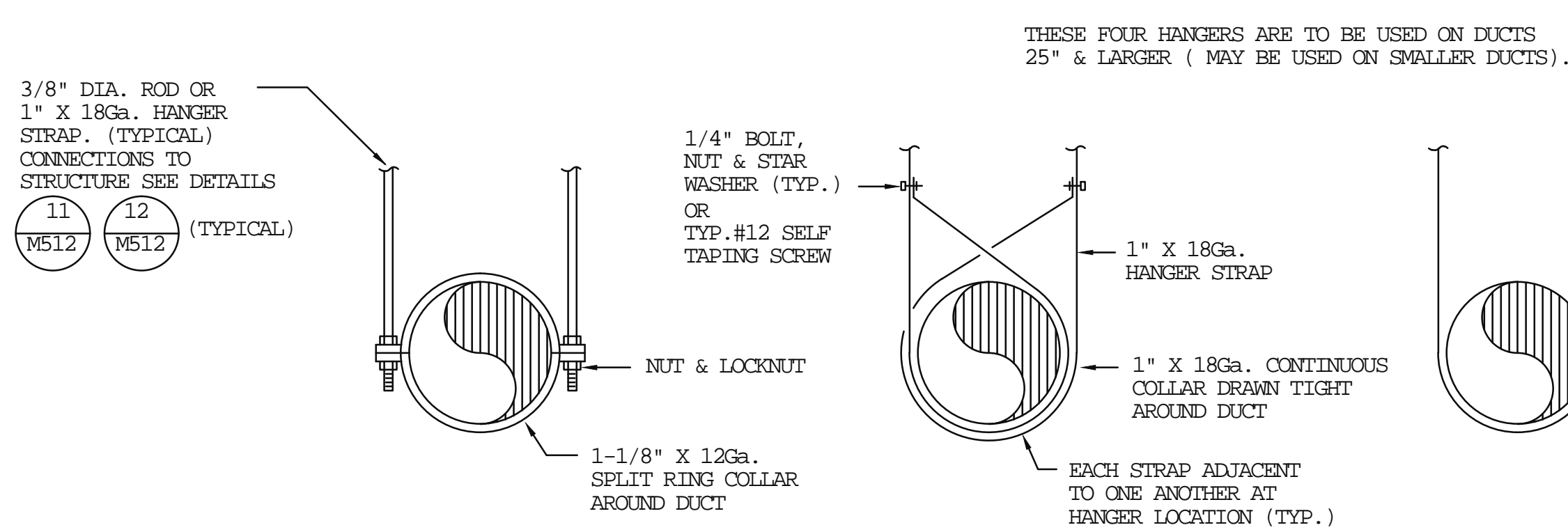
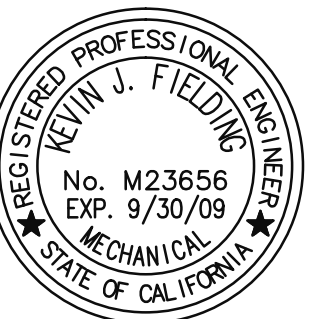


NO.	ISSUES/REVISIONS	DATE
	100% SCHEMATIC DESIGN	04/28/08
	50% DESIGN DEVELOPMENT	06/13/08
	100% DESIGN DEVELOPMENT	07/28/08
	INCREMENT 2 80% REVIEW	10/10/08
	DSA INCREMENT 2	
7	STRUCTURE & GFRG PANELS	11/11/08
	DSA INCREMENT #3 50% REVIEW	11/11/08
9	DSA INCREMENT #3 80% REVIEW	12/19/08
10	DSA INCREMENT #3	02/09/09
	TENANT IMPROVEMENT AND ROOFING SYSTEM	
	HPOC REVIEW	
12	DSA INCREMENT #3 BACKCHECK	04/30/09
14	DSA INCREMENT #3 BACKCHECK	05/12/09
	ISSUED FOR CONSTRUCTION	10/27/09
	AS BUILTS	12/15/10

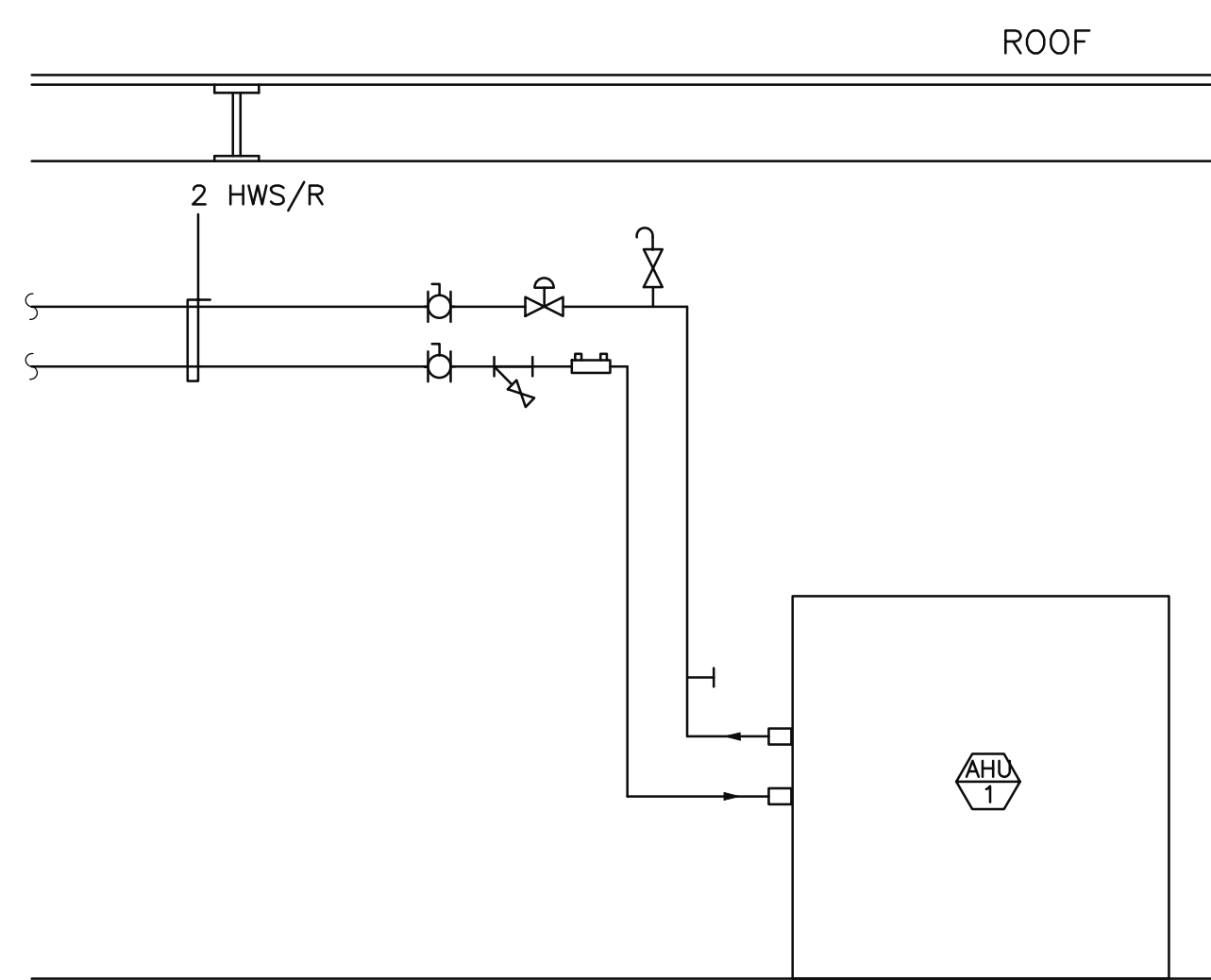
DIVISION OF THE STATE ARCHITECT	
APPL # 01-110117	
FILE # 41-C1	
AC	FLS
SSS	DATE
IDENTIFICATION STAMP	



NOTES:

- REFER TO SPECIFICATIONS FOR HANGER SPACINGS.
- ATTACHMENTS TO OVERHEAD STRUCTURE SHALL BE MADE IN ACCORDANCE WITH STRUCTURAL ENGINEERS REQUIREMENTS AND WEIGHT LIMITATIONS. ALL ATTACHMENT METHODS TO REQUIREMENTS AND WEIGHT LIMITATIONS. ALL ATTACHMENT STRUCTURE SHALL BE SUBMITTED TO STRUCTURAL ENGINEER FOR REVIEW.
- PROVIDE SWAY & SEISMIC BRACING PER SMACNA SEISMIC GUIDELINES.
- SEE DETAILS 11 AND 12 ON SHEET M-512 FOR VERTICAL SUPPORT CONNECTION TO OVERHEAD STRUCTURE FOR MECHANICAL PIPING, HVAC DUCT AND MECHANICAL EQUIPMENT.

8 DUCT HANGERS DETAILS



7 AHU-1 PIPING SCHEMATIC

COMBINATION FIRE/SMOKE DAMPER INSTALLATION REQUIREMENTS

REQUIREMENTS FOR AN APPROVED INSTALLATION INCLUDE THE FOLLOWING:

OPENINGS IN FLOOR OR WALL SHALL BE 1/8" PER FOOT LARGER THAN DAMPER DIMENSIONS (3/16" LARGER PER FOOT FOR STAINLESS). MINIMUM CLEARANCE OF 1/4" REQUIRED FOR ANY INSTALLATION.

SLEEVE GAGE SHALL BE AT LEAST EQUAL TO THE GAGE OF THE DUCT AS DEFINED BY THE APPROPRIATE SMACNA DUCT CONSTRUCTION STANDARD, AS DESCRIBED IN NFPA90A, WHEN ONE OR MORE OF THE FOLLOWING DUCT SLEEVE CONNECTIONS ARE USED: PLAIN S SLIP, HEIMMED S SLIP, STANDING S SLIP, REINFORCED STANDING S SLIP, INSIDE SLIP JOINT, DOUBLE S SLIP.

IF ANY OTHER DUCT SLEEVE CONNECTIONS ARE USED, THE SLEEVE SHALL BE MINIMUM 16 GAGE FOR DAMPERS UP TO 36"W X 24"H AND 14 GAGE IF WIDTH EXCEEDS 36" OR HEIGHT EXCEEDS 24".

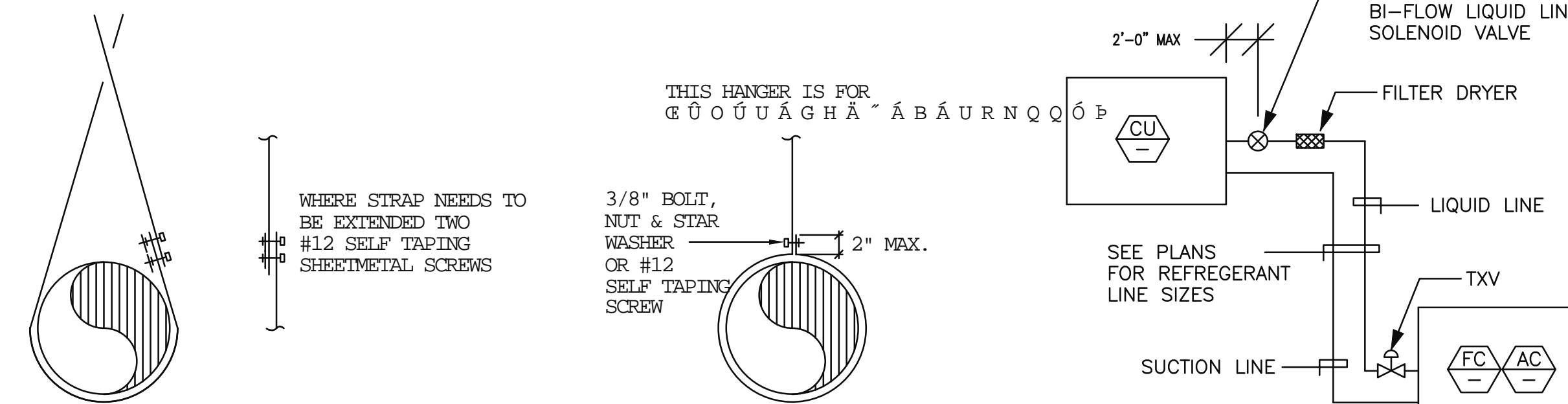
DAMPER TO BE MOUNTED IN SLEEVE BY MANUFACTURER

DAMPER AND ACTUATOR SHALL BE PER U.L. 555S CLASSIFIED SIZES.

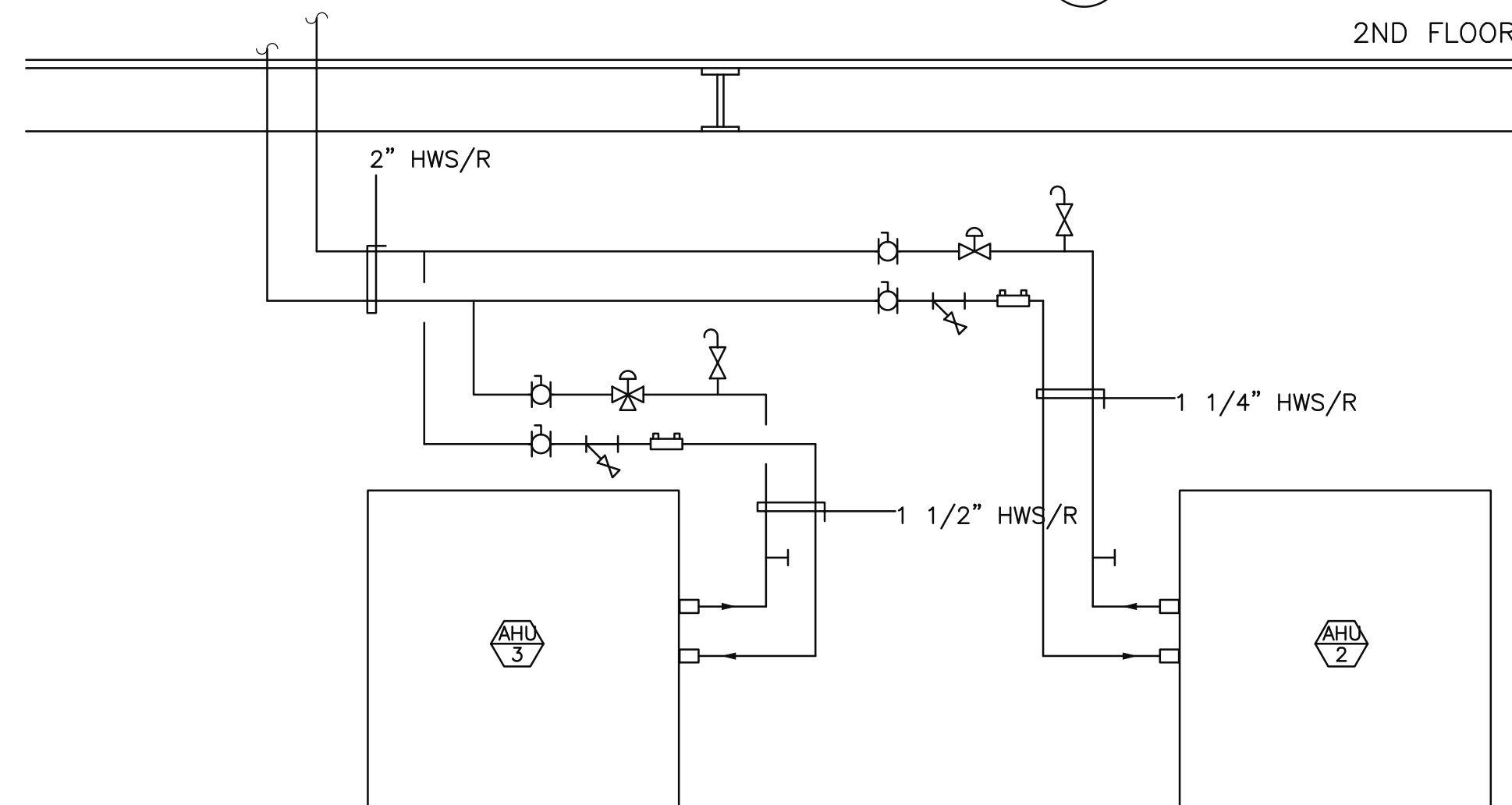
ACTUATOR SHALL BE INSTALLED OUT OF AIRSTREAM AND ACCESSIBLE FOR MAINTENANCE PER MANUFACTURER RECOMMENDATION.

ACCESS DOOR SHALL BE PROVIDED IN DUCT TO ASSURE SERVICING OF LINKAGE. DOOR SHALL BE LABELED, "FIRE DOOR DO NOT OBSTRUCT" PER UBC REQUIREMENTS.

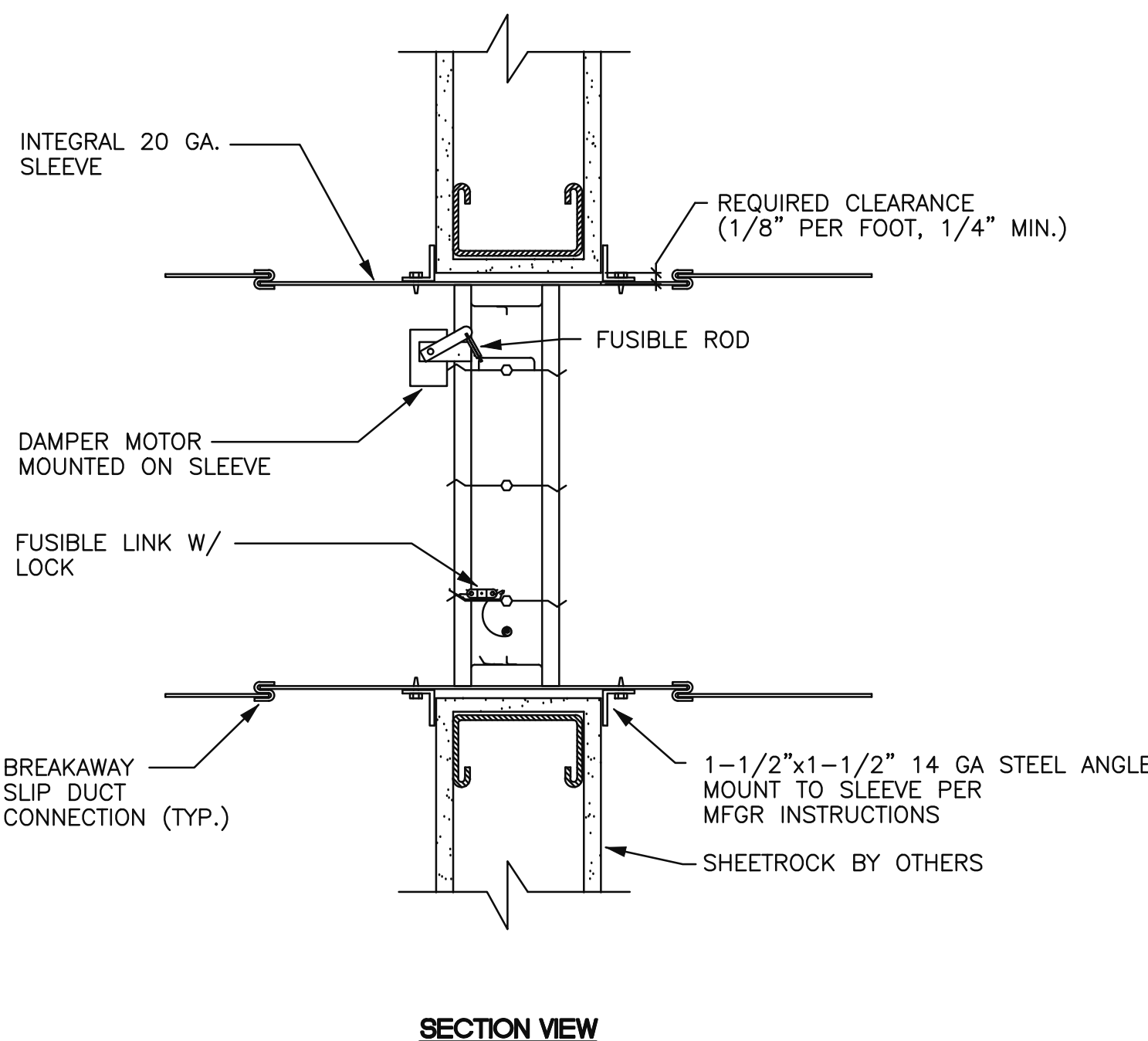
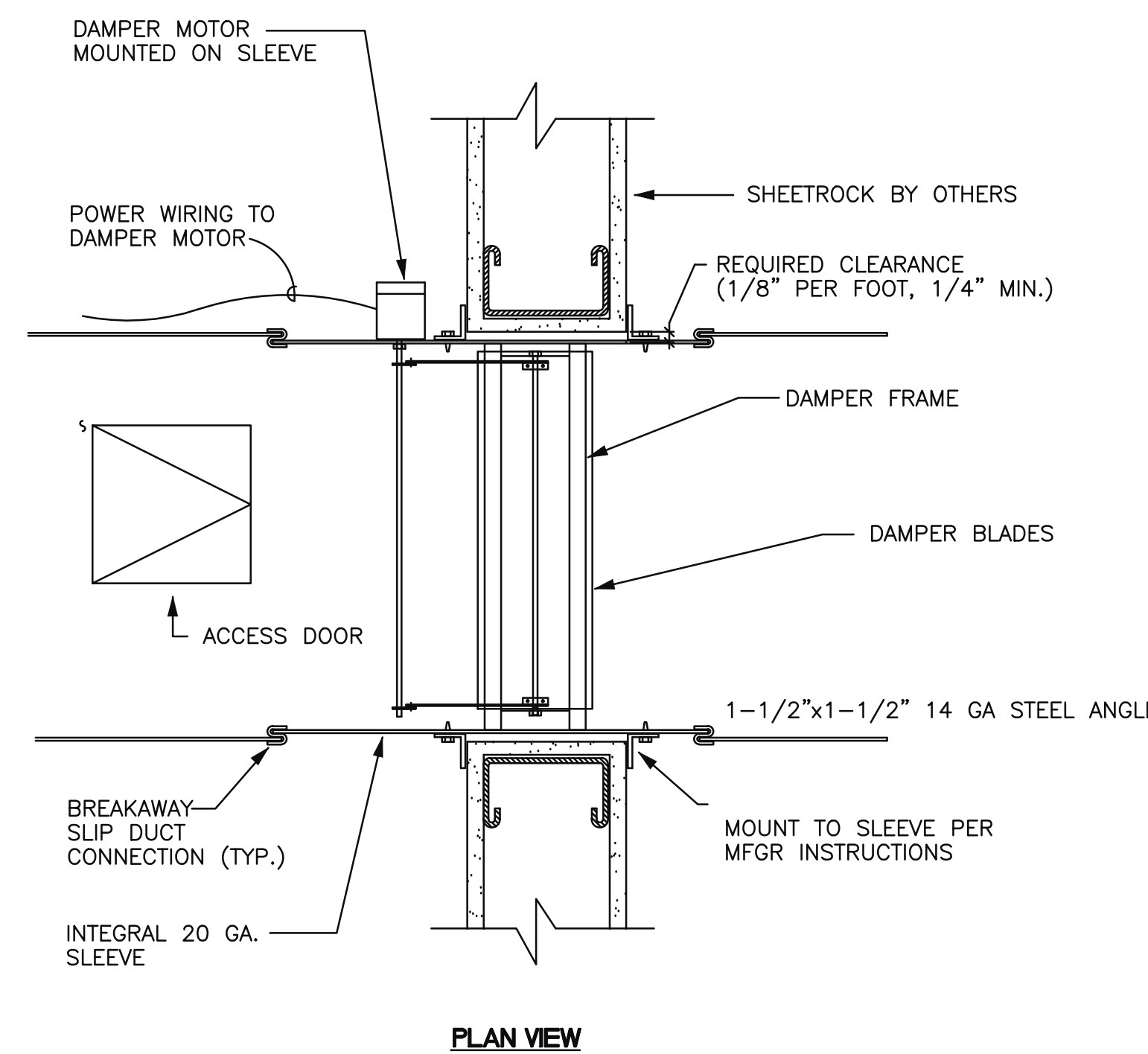
MOUNTING ANGLES SHALL BE MINIMUM OF 1-1/2" X 1-1/2" X 14 GA AND OR SCREWED TO SLEEVE AT MAXIMUM SPACING OF 12" AND WITH MINIMUM OF TWO CONNECTIONS IN EACH SIDE, TOP AND BOTTOM. MOUNTING ANGLES SHALL OVERLAP WALL A MINIMUM OF ONE INCH ON ALL FOUR SIDES.



6 REFRIGERANT PIPING DETAILS

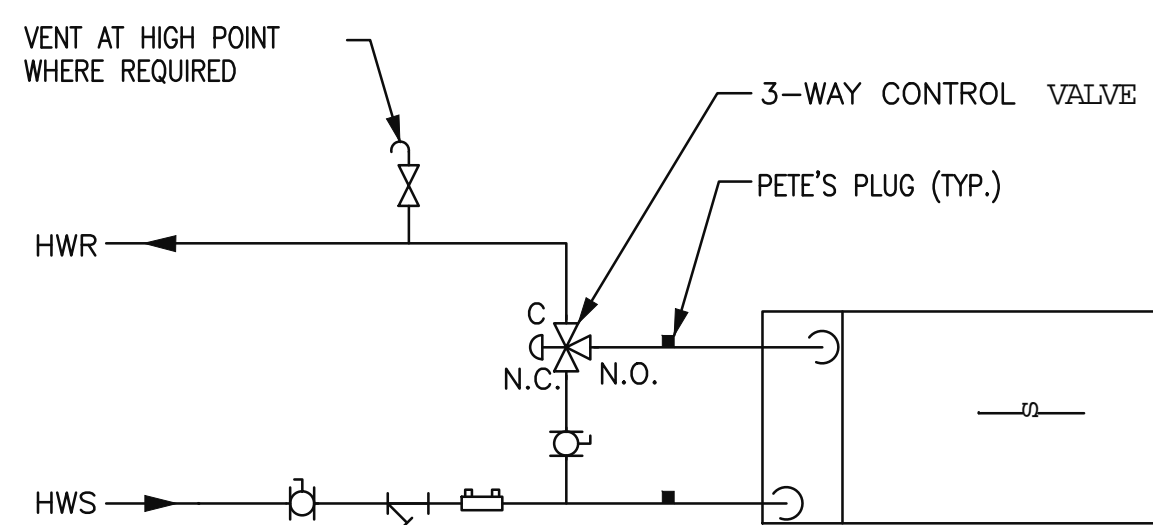


5 AHU-2 & AHU-3 PIPING SCHEMATIC



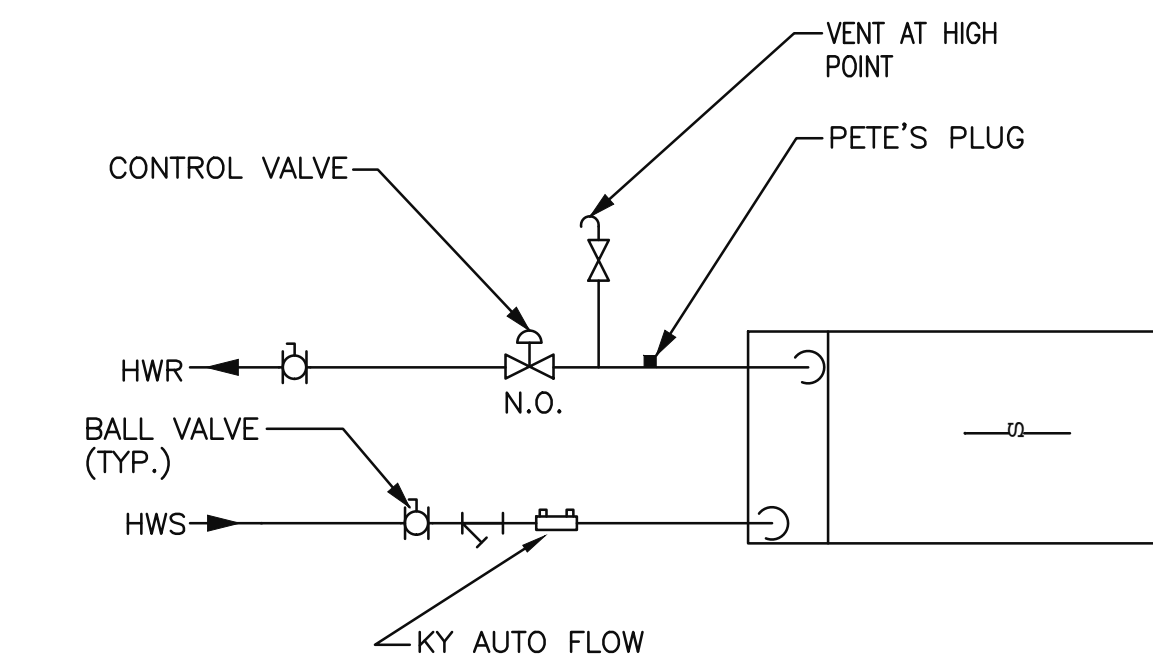
4 COMBINATION FIRE/ SMOKE DAMPER DETAIL

3 CEILING DIFFUSER INSTALLATION



2 REHEAT COIL PIPING (3-WAY VALVE)

SEE VAV BOX SCHEDULES FOR LOCATIONS



1 REHEAT COIL PIPING (2-WAY VALVE)

SEE VAV BOX SCHEDULES FOR LOCATIONS

PIPING LEGEND			
	BALL VALVE		PETE'S PLUG
	BUTTERFLY VALVE		THERMOMETER W/WELL
	GLOBE VALVE		PADDLE TYPE FLOW SWITCH
	GATE VALVE		DIFFERENTIAL PRESSURE FLOW SWITCH
	DRAIN VALVE		DIFFERENTIAL PRESSURE SENSOR
	MANUAL AIR VENT.		PRESSURE GAUGE
	GRISWOLD FLOW CONTROL VALVE		SENSOR WELL
	TWO-WAY CONTROL VALVE		FLEXIBLE CONNECTOR
	PNEUMATIC BYPASS VALVE		STRAINER
	TRIPLE DUTY VALVE		MALE HOSE CONNECTOR
	CHECK VALVE		PIPING REDUCER
	GAUGE COCK		PIPE ANCHOR
	BALANCING VALVE		PIPE GUIDE
	GAS COCK		PIPE EXPANSION LOOP
	GAS PRESSURE REGULATOR		EXPANSION JOINT
	GAS SOLENOID VALVE W/HI-LO FIRE		UNION
	RELIEF VALVE		FLOW ARROW
	CIRCUIT SETTER		
	GRISWOLD FLOW CONTROL VALVE W/ STRAINER		