

REVISION	DESCRIPTION	INITIAL	DATE
	RECORD DRAWINGS		4/19/08
	ISSUED FOR PROGRESS REVIEW		3/4/02
	ISSUED FOR PLAN CHECK		4/15/02
	ISSUED FOR PERMIT		7/02/02
	ISSUED FOR BID		
	ISSUED FOR CONSTRUCTION		

**Rinne & Peterson**  
**STRUCTURAL ENGINEERS**  
 1511 San Antonio Road, Suite 200  
 Palo Alto, CA 94304  
 PH: (650) 952-2000  
 FAX: (650) 952-2001  
 WWW.RINNE.COM

**INTERACTIVE**  
 R E S O U R C E S  
 ARCHITECTURE-PLANNING-ENGINEERING  
 117 PARK PLACE  
 POINT RICHMOND  
 CALIFORNIA 94801  
 (910) 238-7435  
 (FAX) 232-5325  
 H1P://WWW.IRVE.COM

**PROJECT:**  
**BUILDING 18**  
**SEISMIC**  
**REHABILITATION**

COLLEGE OF SAN MATEO  
 3401 CSM DRIVE  
 SAN MATEO, CA 94402

SAN MATEO CO. COMMUNITY  
 COLLEGE DISTRICT

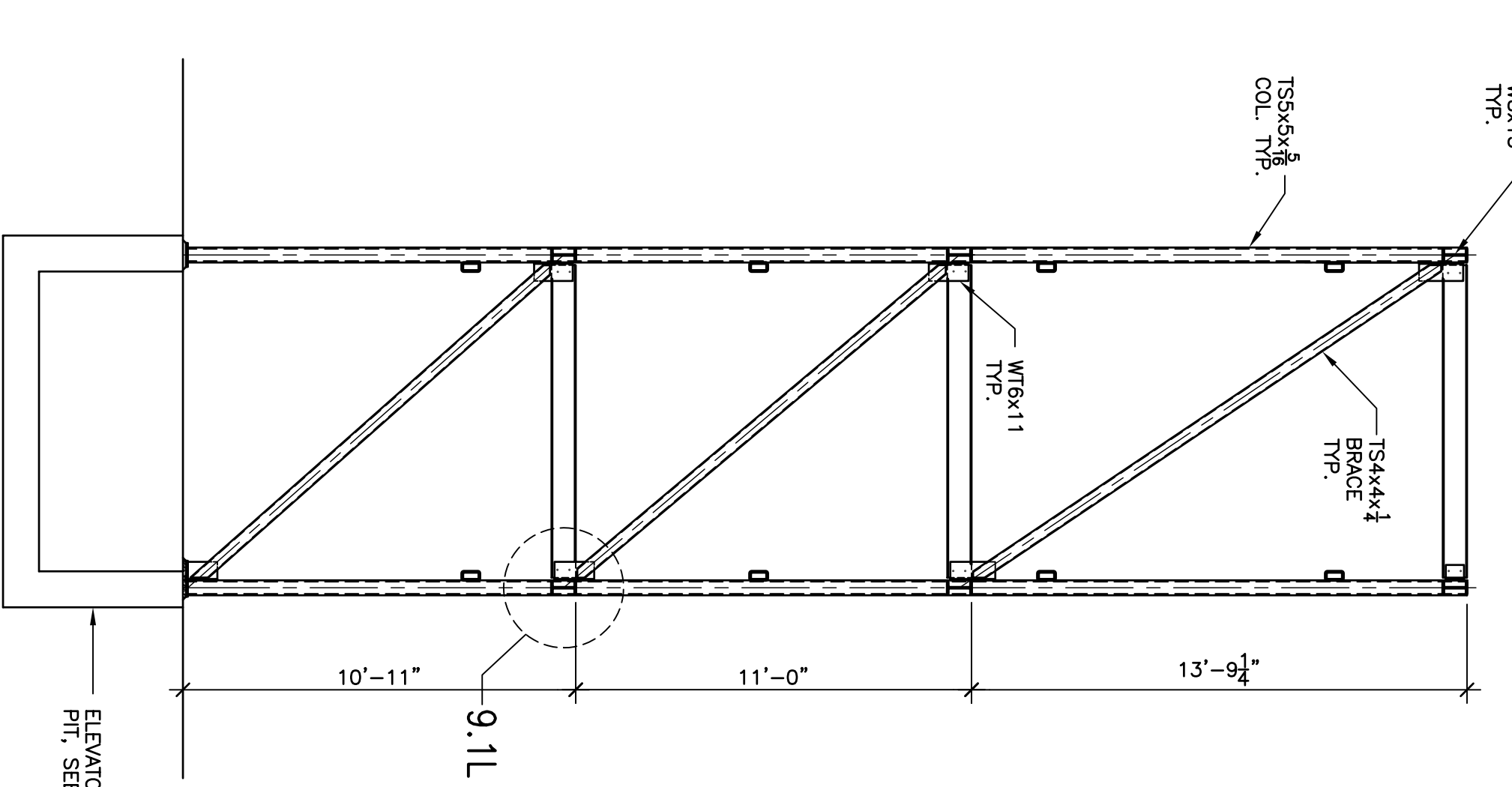
IDENTIFICATION STAMP  
 DIVISION OF THE STATE ARCHITECT  
 APR. 01-10658  
 AP \_\_\_\_\_ RS \_\_\_\_\_ SS \_\_\_\_\_  
 DATE \_\_\_\_\_

**ELEVATOR**  
**DETAILS**

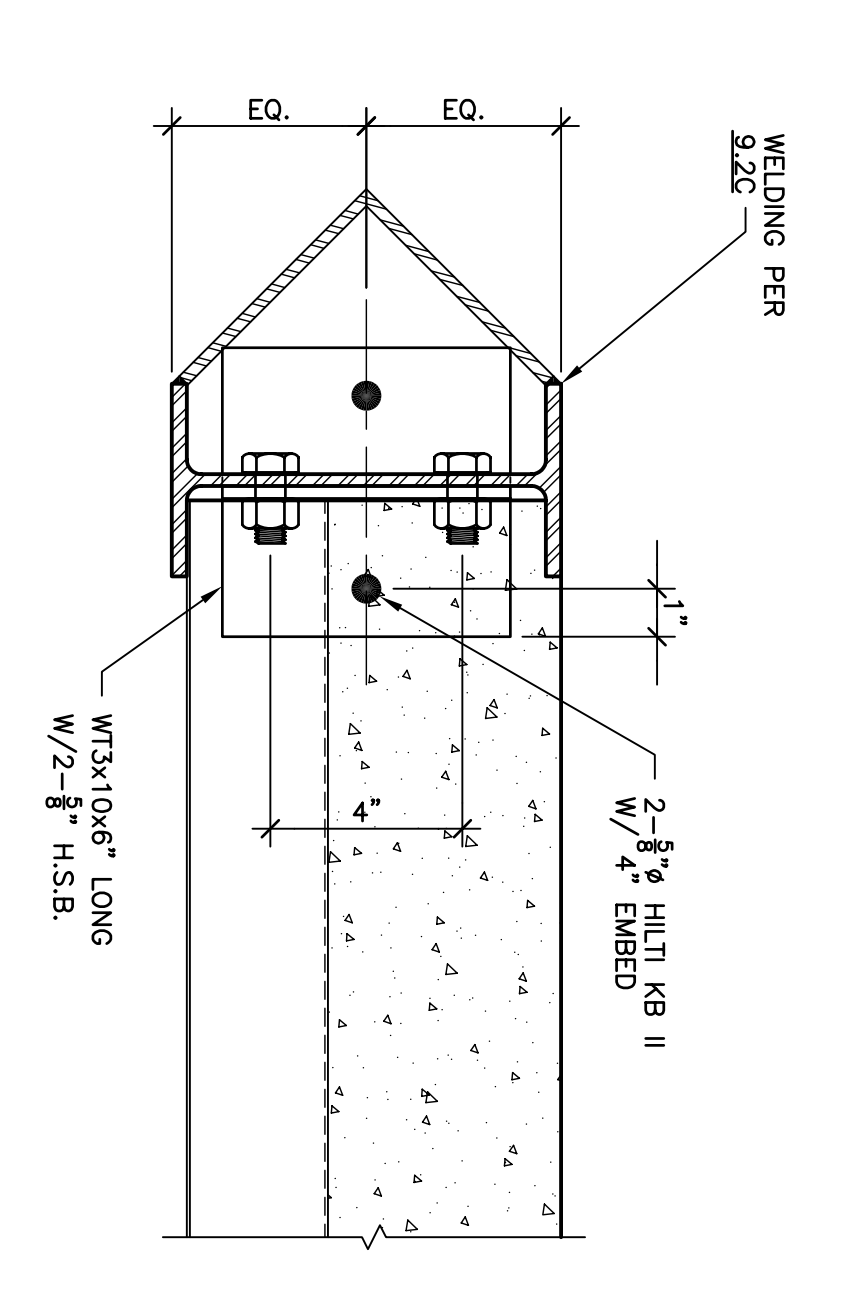
PROJ. NO. AS9003.41  
 DRAWN BY  
 DESIGNED BY  
 CHECKED BY  
 PEER REVIEW  
 SHEET NUMBER

**S9.2**

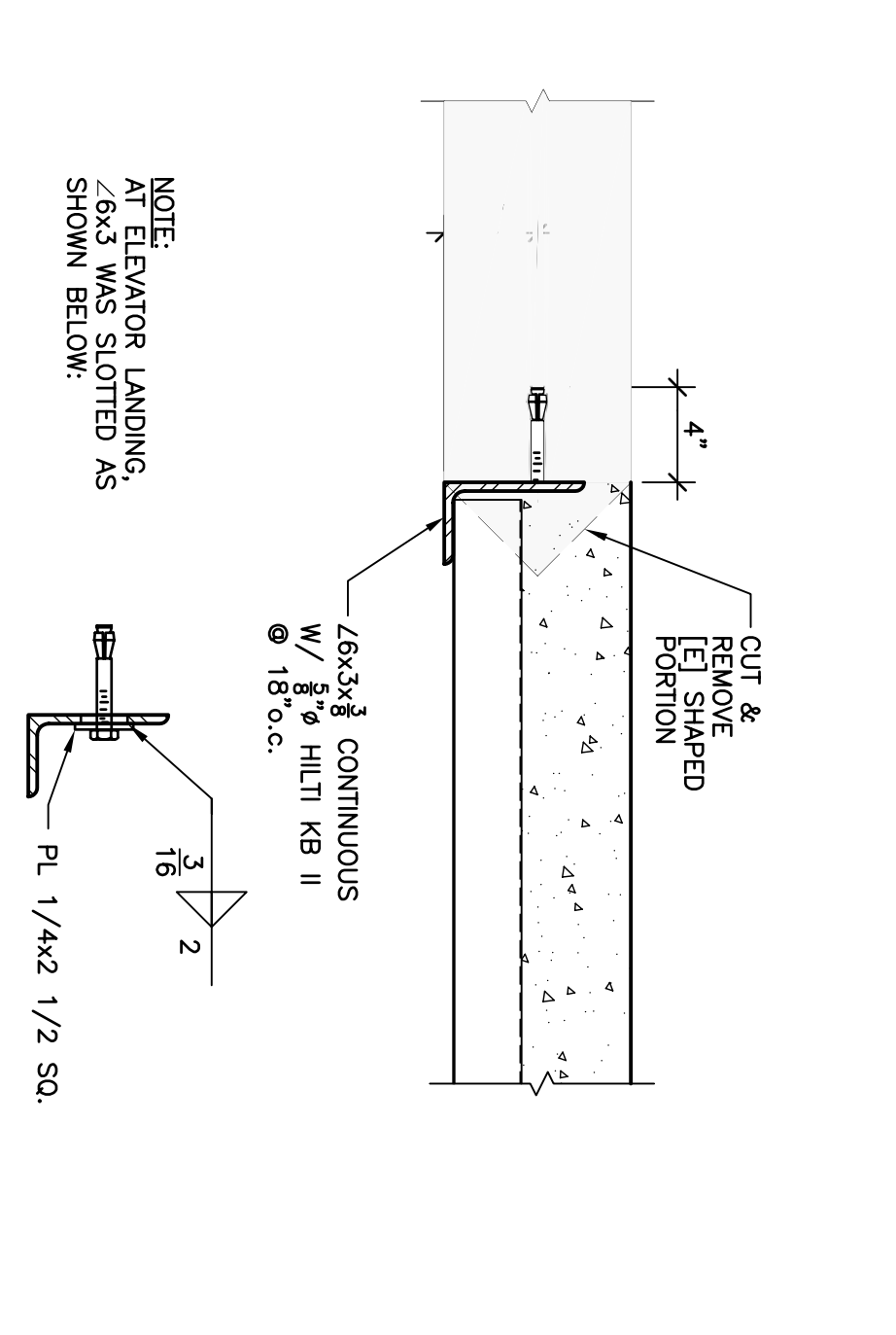
NUMBER OF



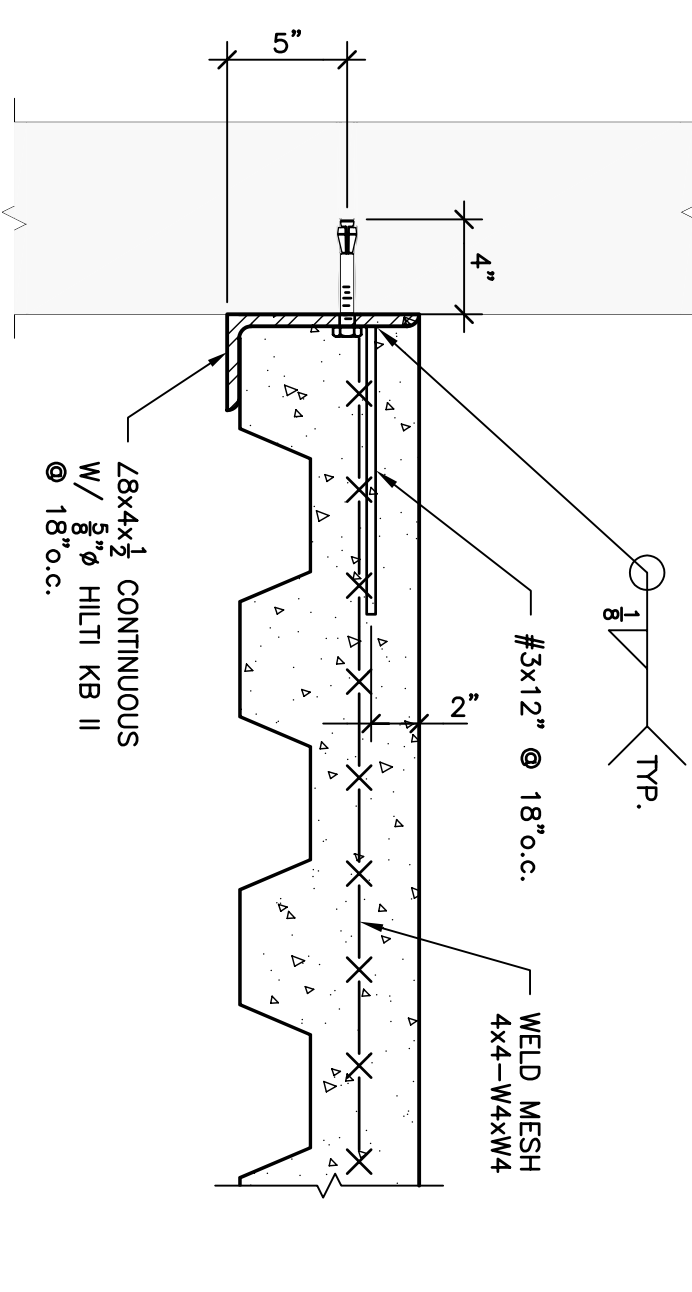
**9.2K ELEVATOR**  
 1/2"=1'-0"  
 WPT1522



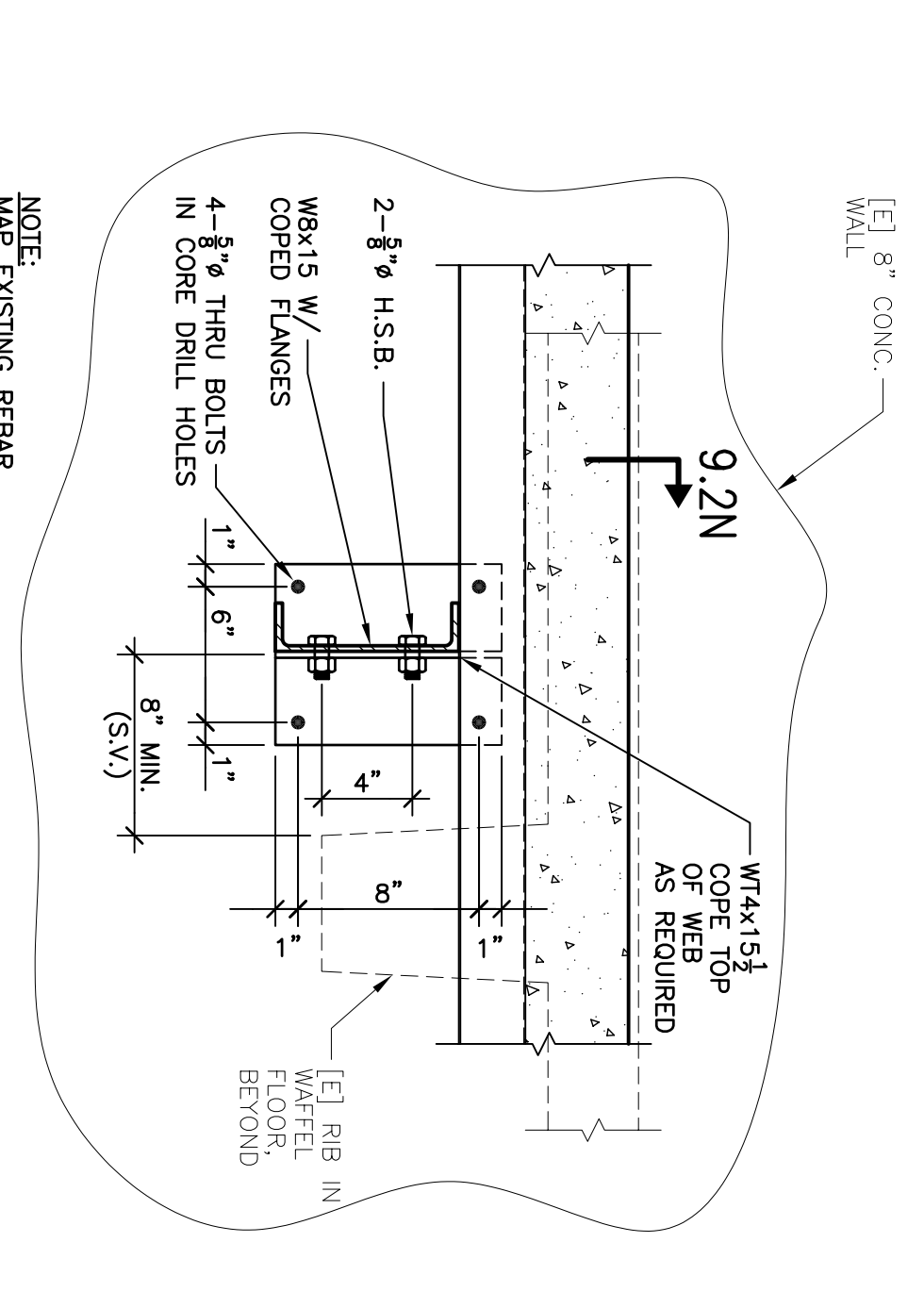
**9.2J**  
 3/4"=1'-0"  
 WPT1522



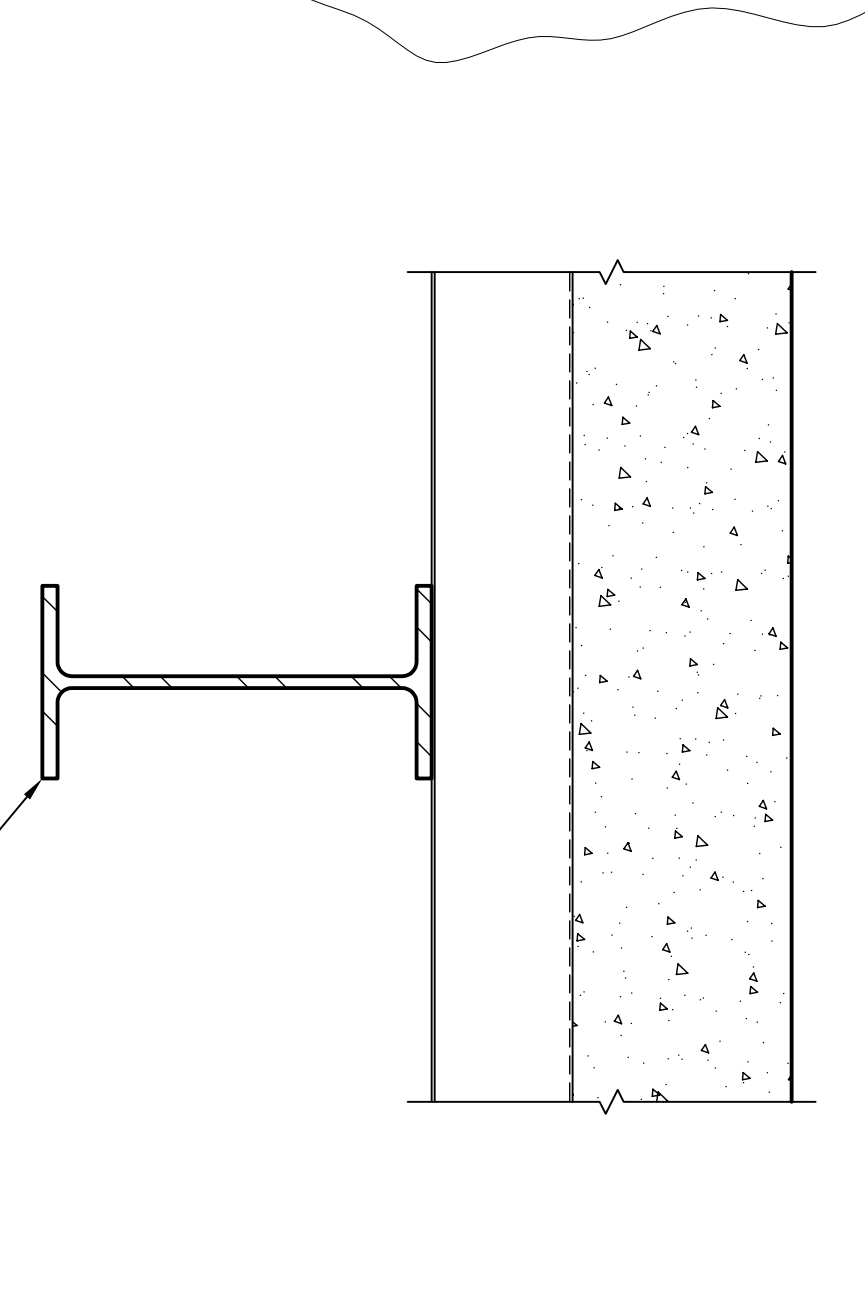
**9.2H**  
 1/2"=1'-0"  
 WPT1522



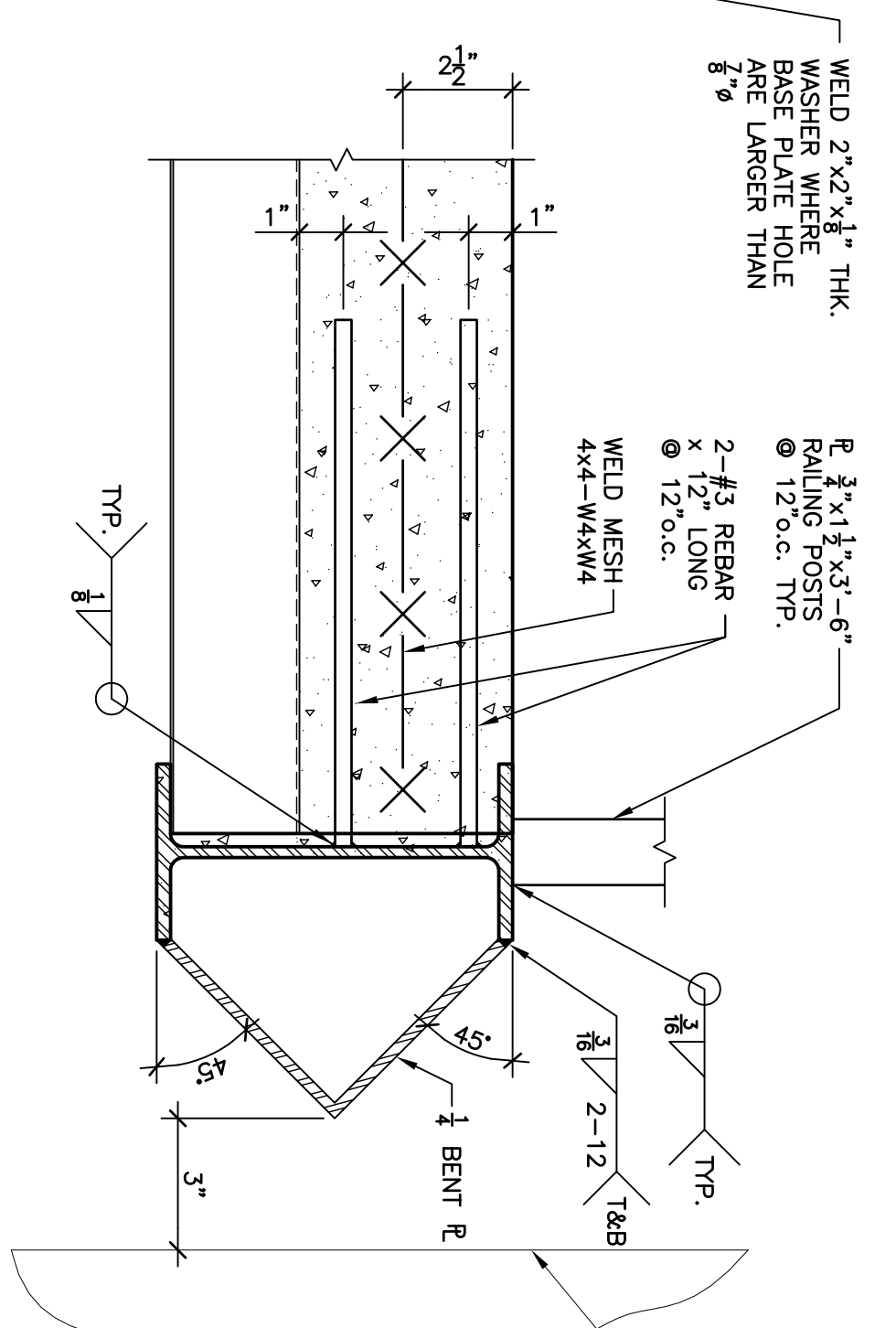
**9.2G**  
 1/2"=1'-0"  
 WPT1522



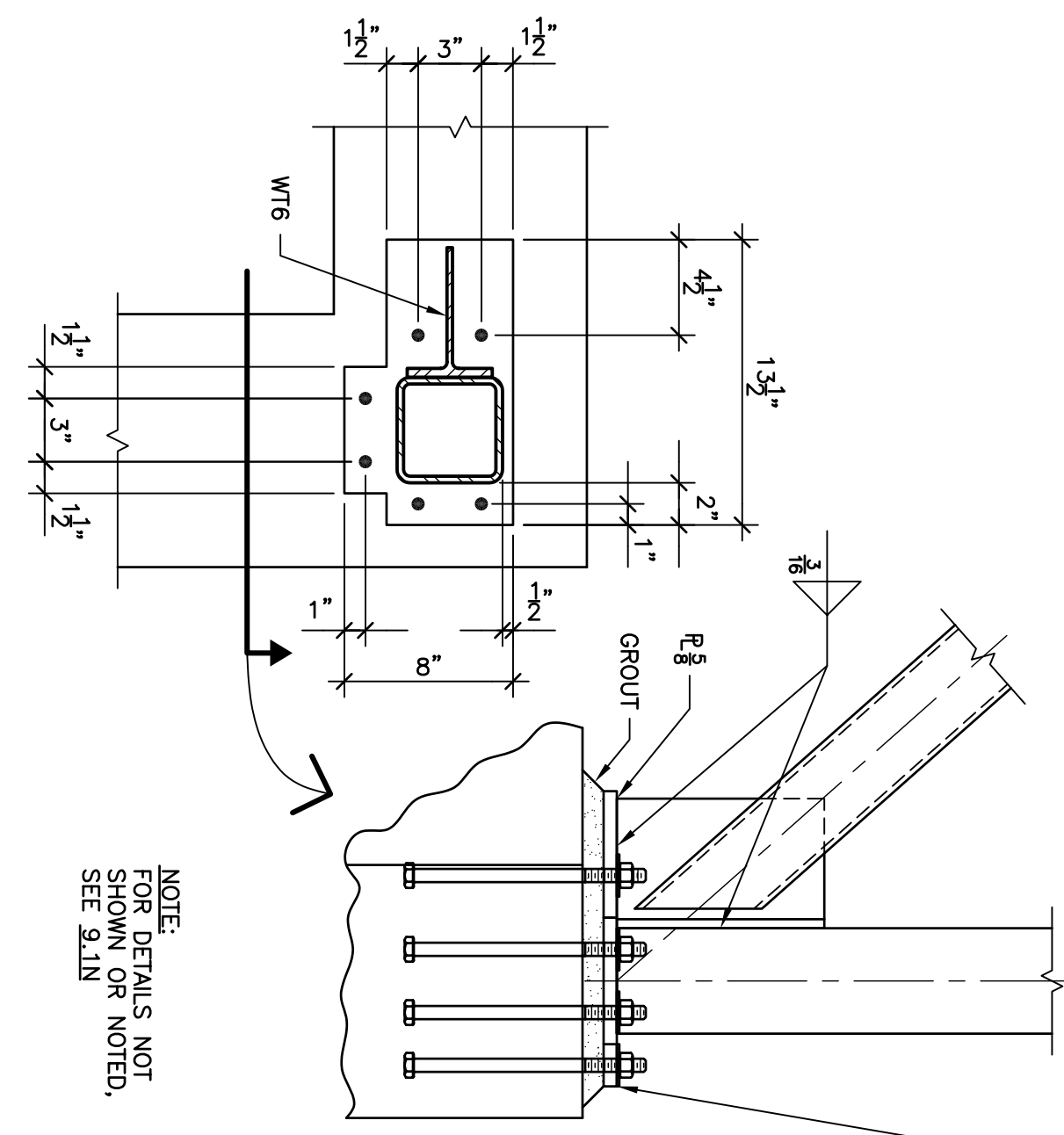
**9.2F**  
 1/2"=1'-0"  
 WPT1522



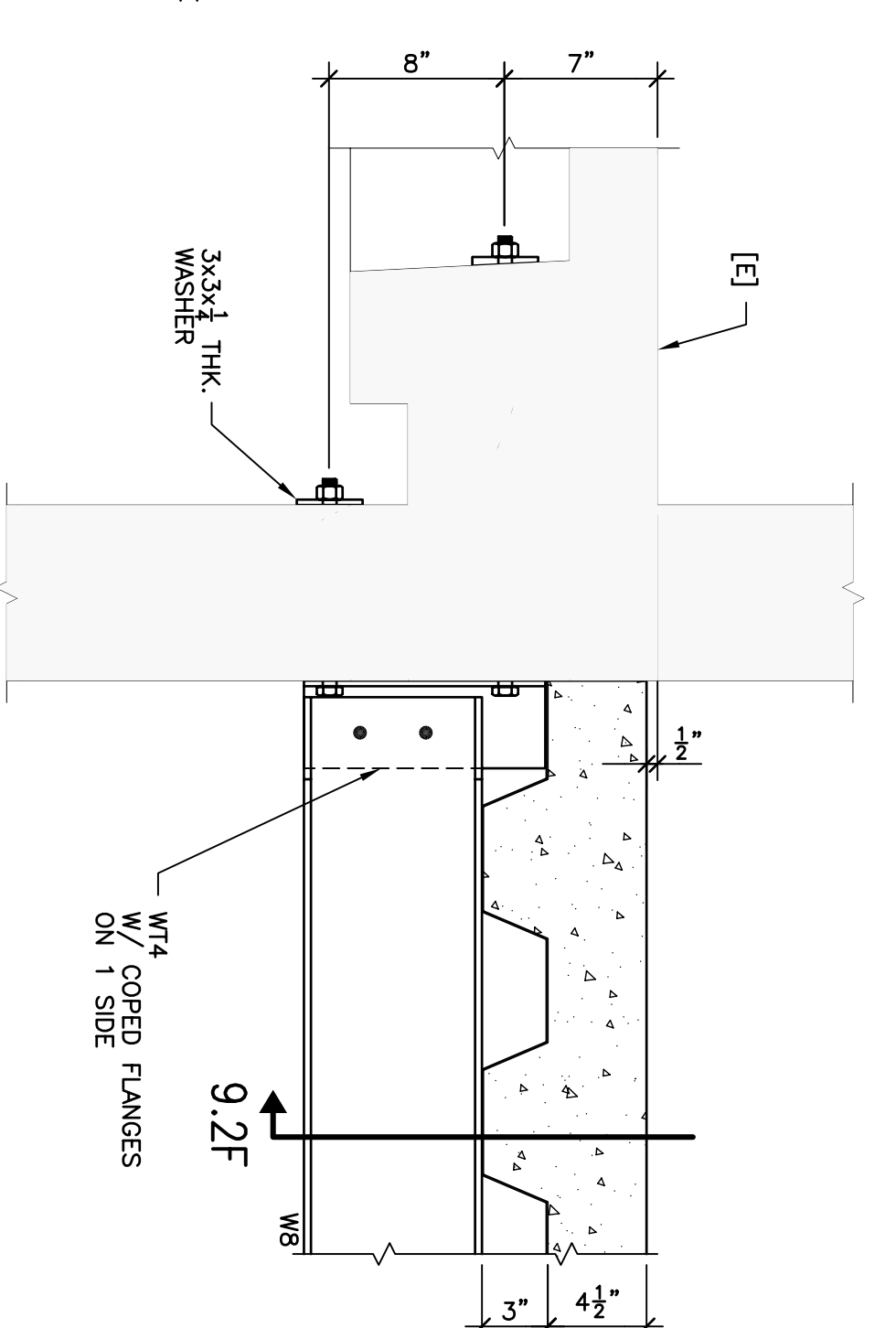
**9.2D**  
 3/4"=1'-0"  
 WPT1522



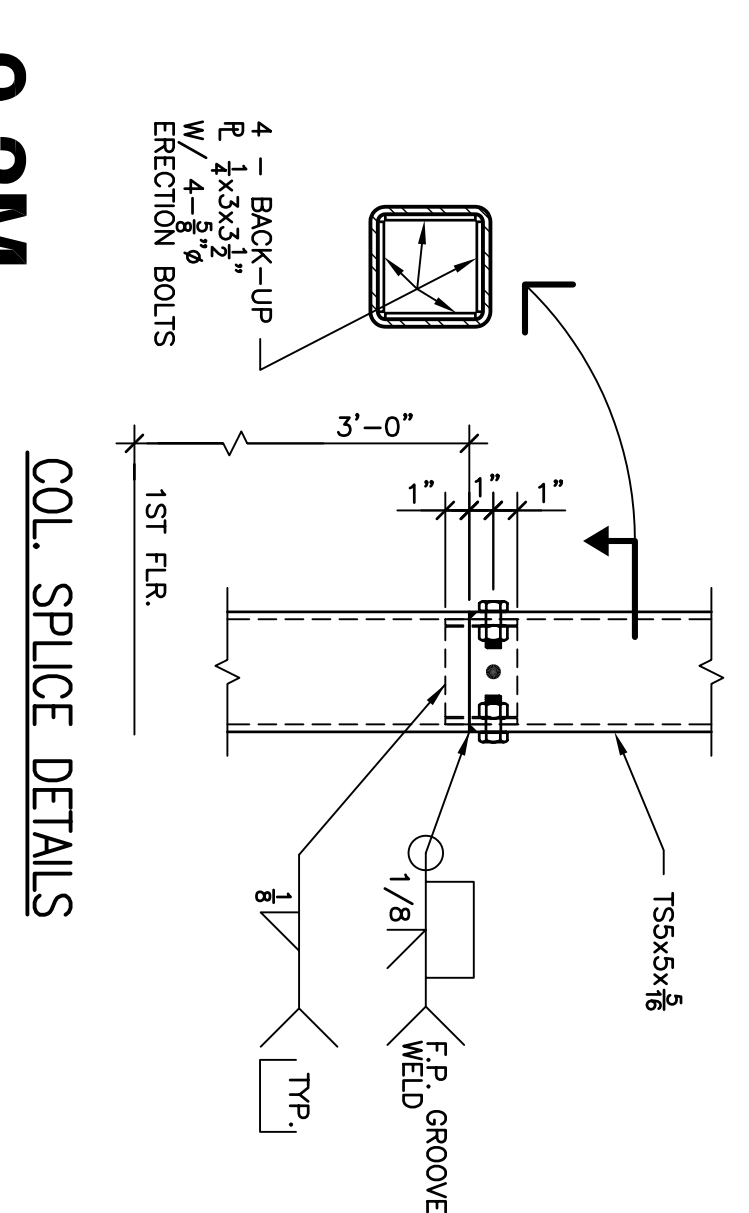
**9.2C**  
 3/4"=1'-0"  
 WPT1522



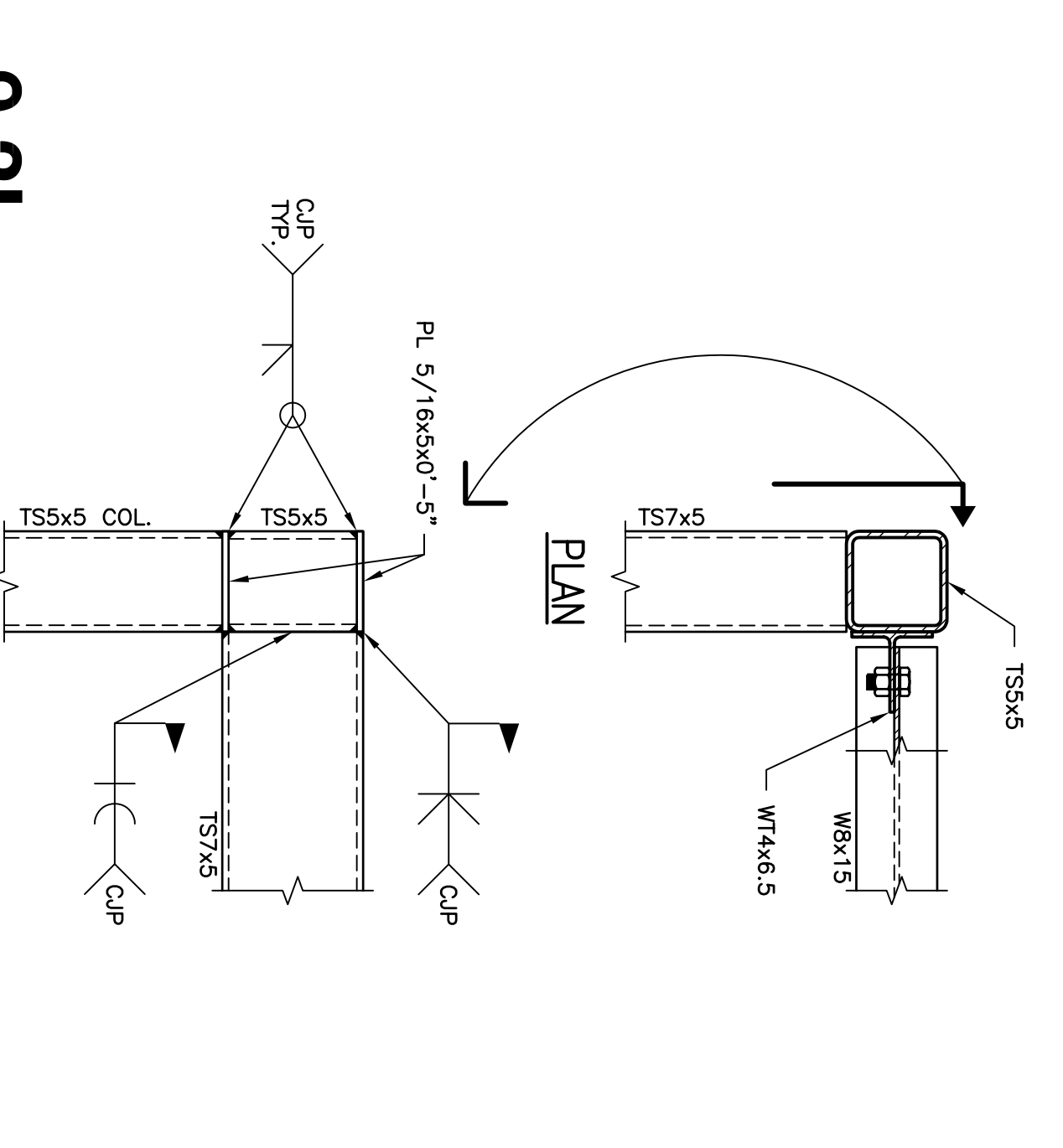
**9.2B**  
 1/2"=1'-0"  
 WPT1522



**9.2N**  
 1/2"=1'-0"  
 WPT1522



**9.2M**  
 1/2"=1'-0"  
 WPT1522



**9.2L**  
 1/2"=1'-0"  
 WPT1522

R & P JOB No. MO037.001  
 PRINCIPAL-IN-CHARGE PM  
 DRAWER No.  
 REVISIONS:  
 MON1592.dwg 6-11-02 8:36:30 am