

REVISION	DESCRIPTION	INITIAL	DATE
1	ISSUED FOR PROGRESS REVIEW		3/4/02
2	ISSUED FOR PLAN CHECK		4/5/02
3	ISSUED FOR PERMIT		7/2/02
4	ISSUED FOR BID		
5	ISSUED FOR CONSTRUCTION		

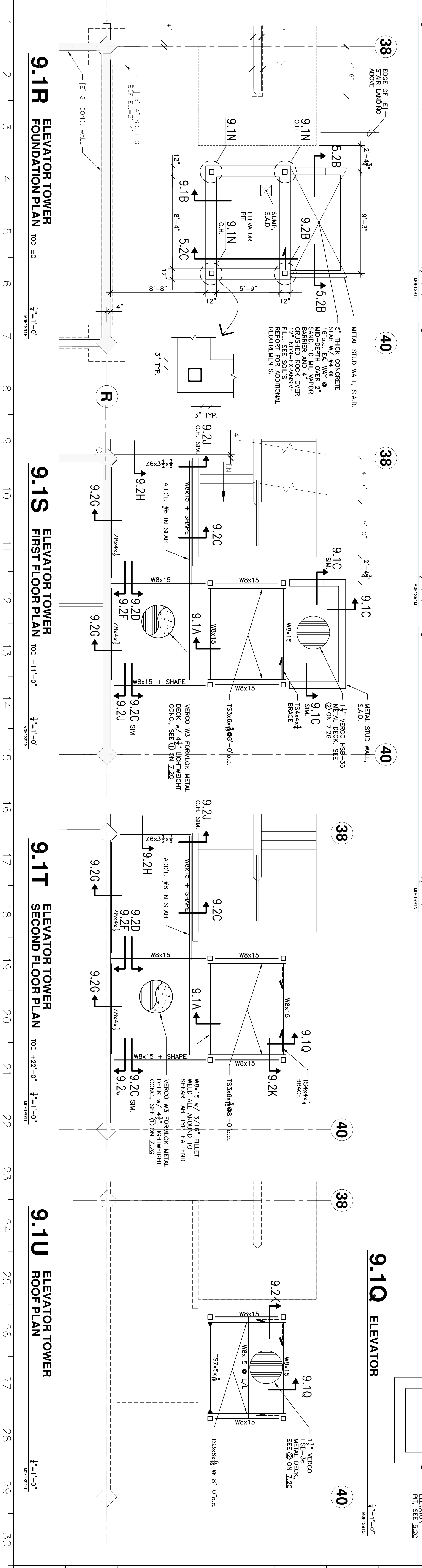
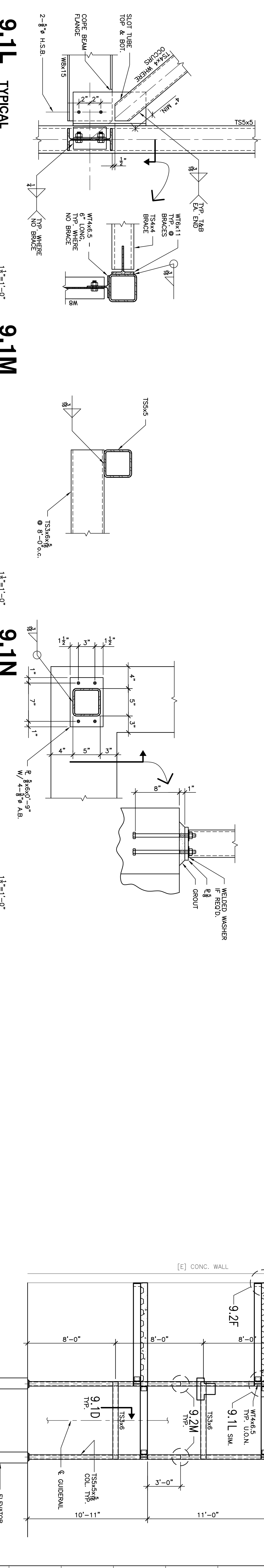
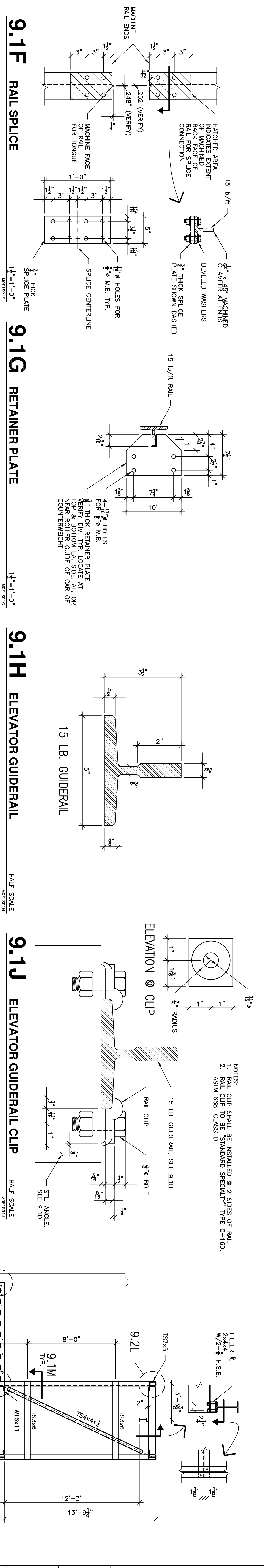
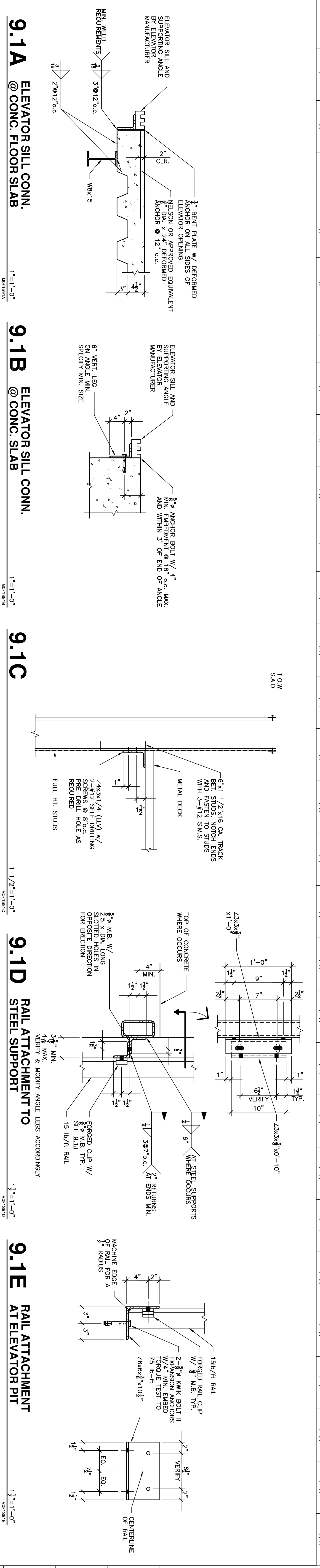
Rime & Peterson
 STRUCTURAL ENGINEERS
 1511 San Antonio Road, Suite 200
 Redwood City, CA 94061
 Tel: 650-992-9600
 Fax: 650-992-9601

INTERACTIVE
 R E S O U R C E S
 ARCHITECTURE-PLANNING-ENGINEERING
 117 PARK PLACE
 POINT RICHMOND
 CALIFORNIA 94801
 (910) 238-7435
 (FAX) 232-5325
 http://www.interresources.com

PROJECT:
BUILDING 18
SEISMIC
REHABILITATION
 COLLEGE OF SAN MATEO
 3401 CSM DRIVE
 SAN MATEO, CA 94402
 SAN MATEO CO. COMMUNITY
 COLLEGE DISTRICT

SHEET TITLE:
ELEVATOR
TOWER
PLANS &
DETAILS
S9.1

DERIVATION: SWAMP
 DIVISION OF THE STATE ARCHITECT
 APR. 01-104536
 AD. NS
 DATE: SS



R & P JOB No. M0037.001
 PRINCIPAL-IN-CHARGE PM
 DRAWER No.
 REMARKS:

M01591.dwg 6-11-02 8:51:03 am