

REVISION	DESCRIPTION	INITIAL	DATE
1	ADDITIONAL RECORD DRAWINGS		9/15/03
2			4/19/05
3	ISSUED FOR PROGRESS REVIEW		3/4/02
4	ISSUED FOR PLAN CHECK		4/15/02
5	ISSUED FOR PERMIT		7/22/02
6	ISSUED FOR BID		7/22/02
7	ISSUED FOR CONSTRUCTION		

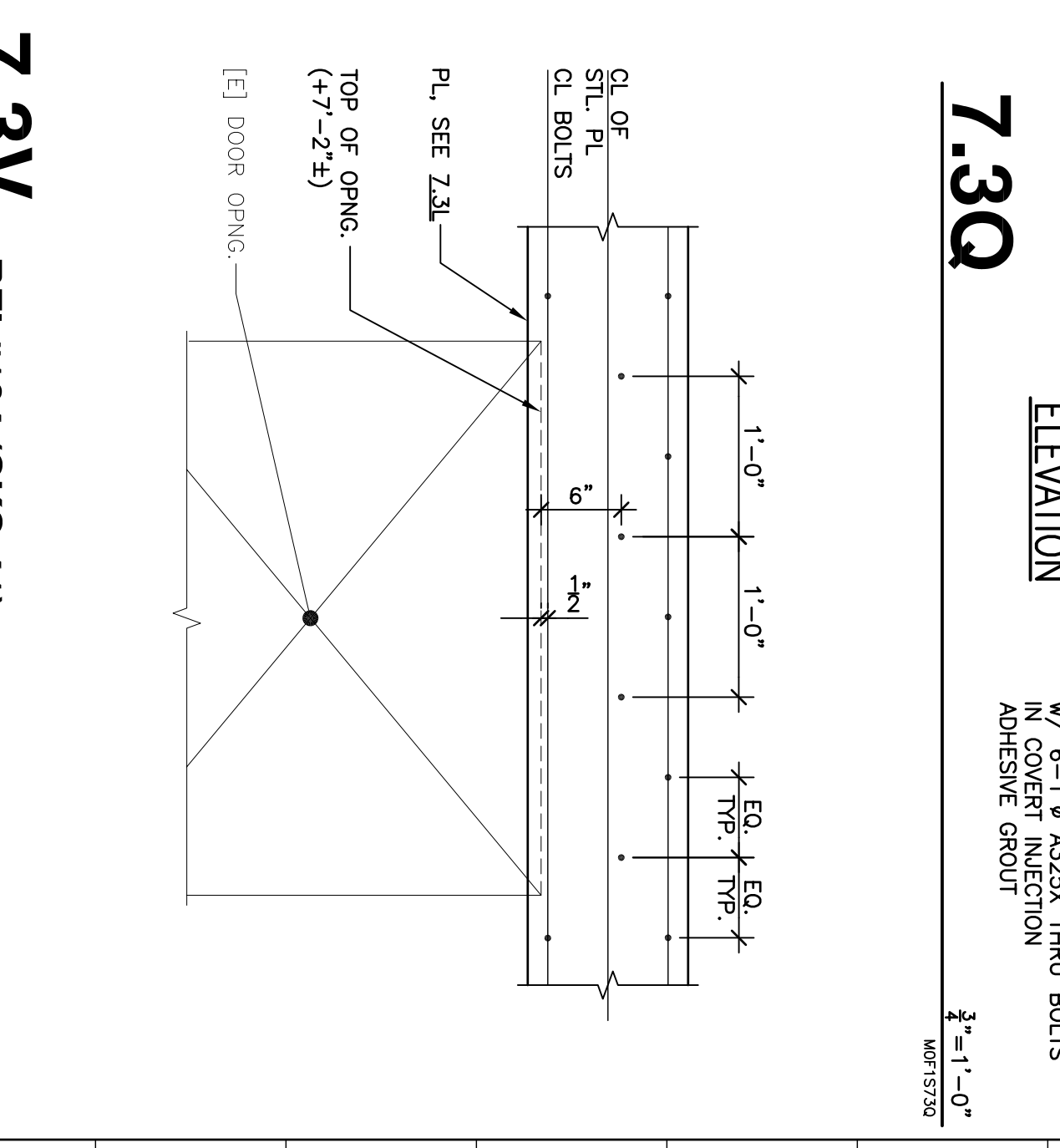
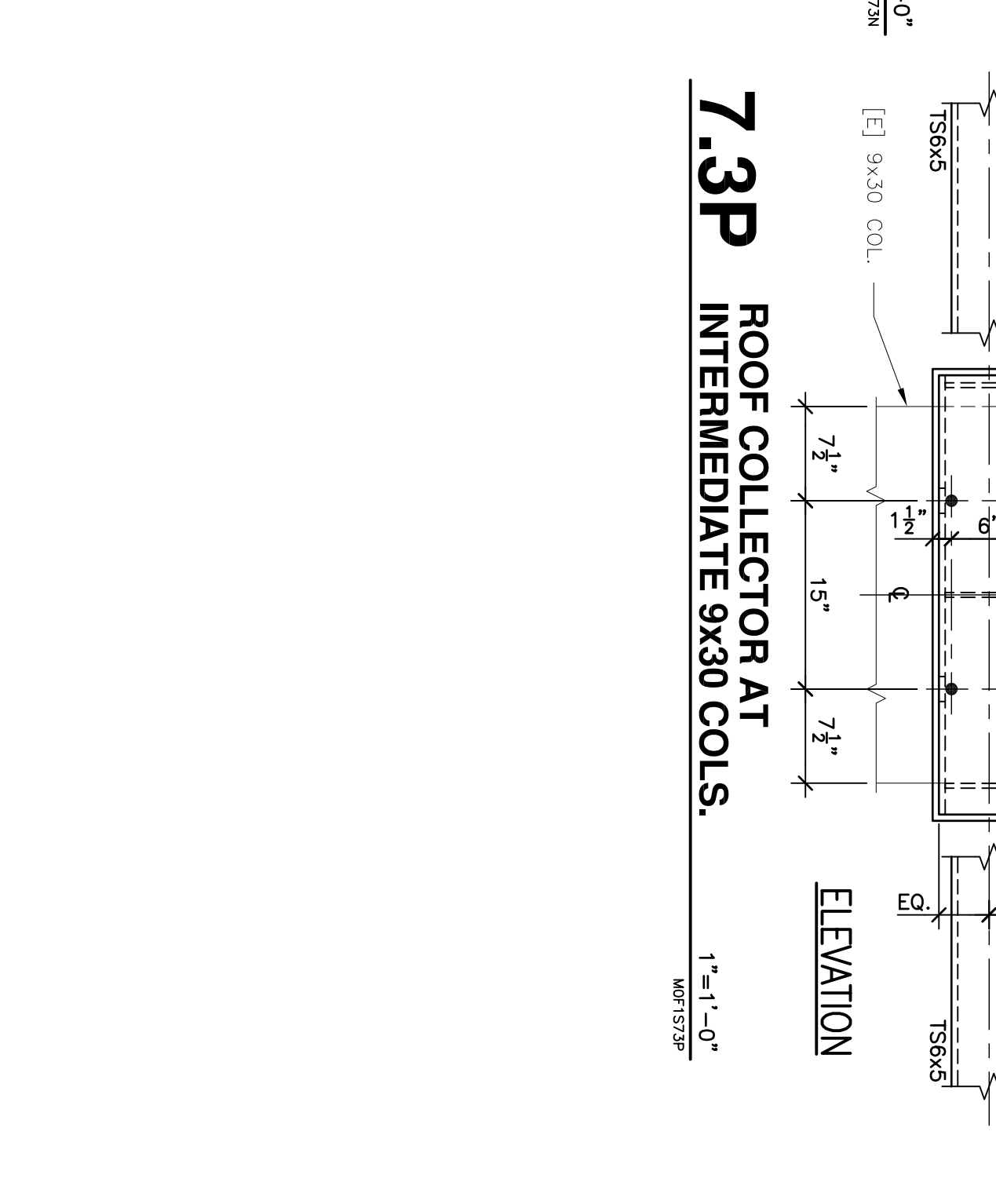
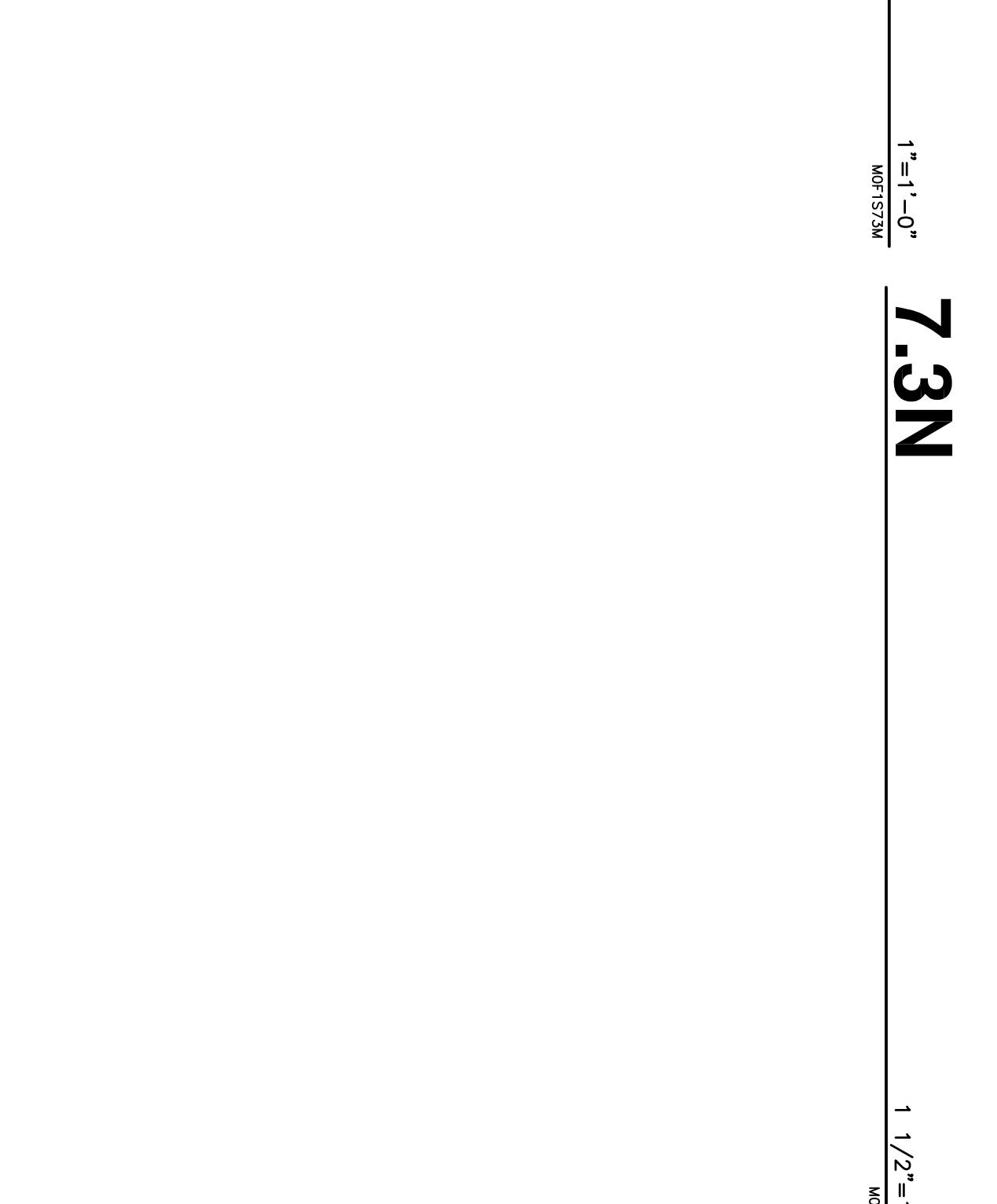
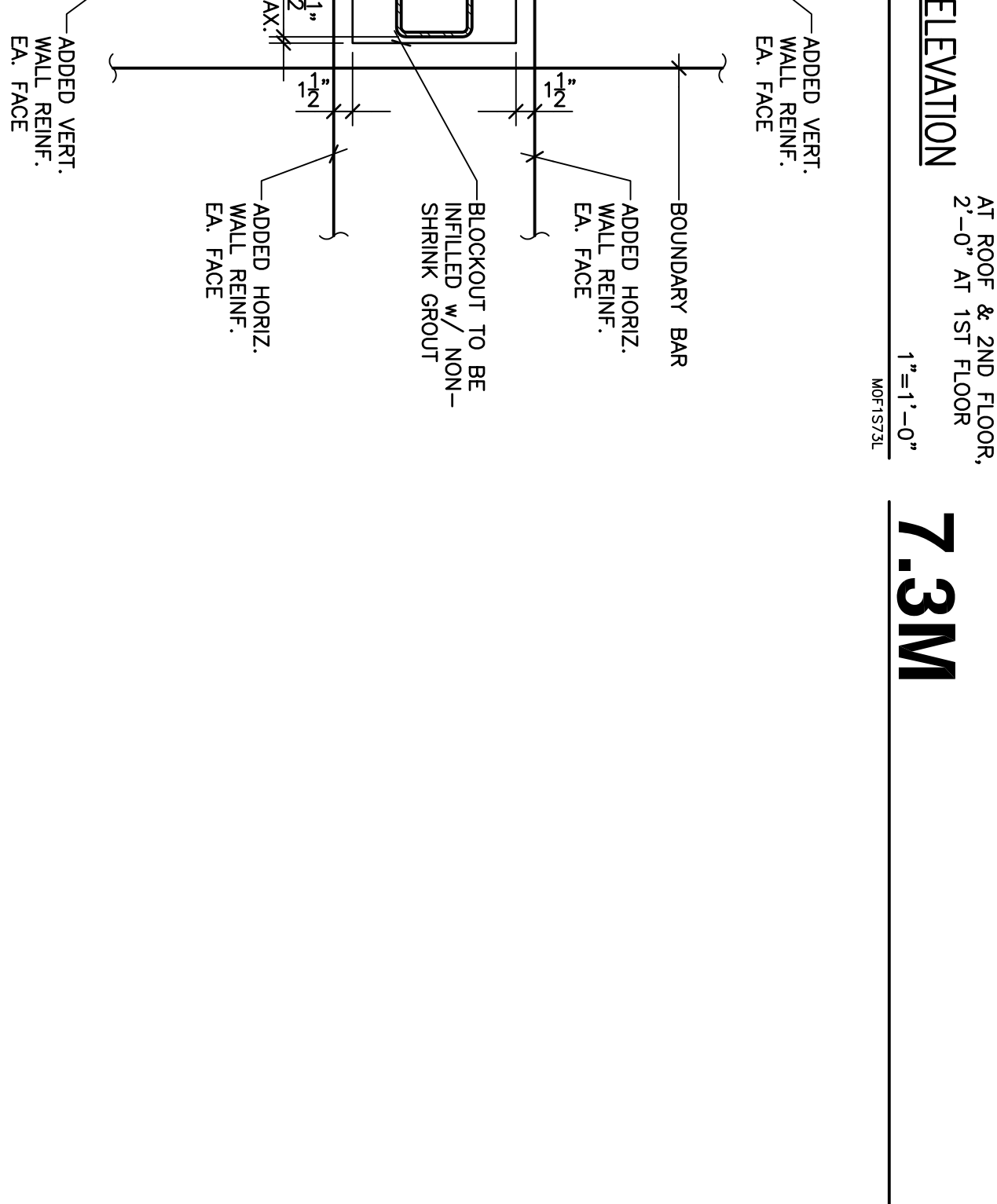
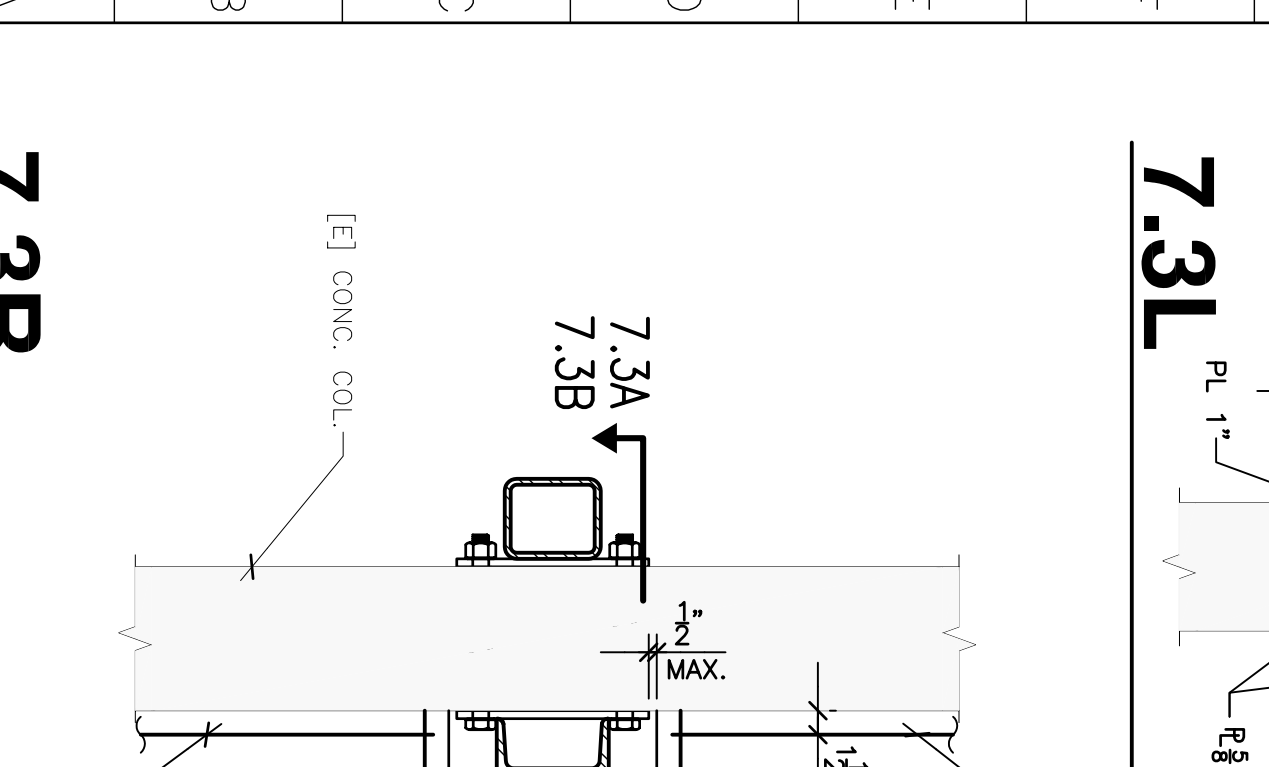
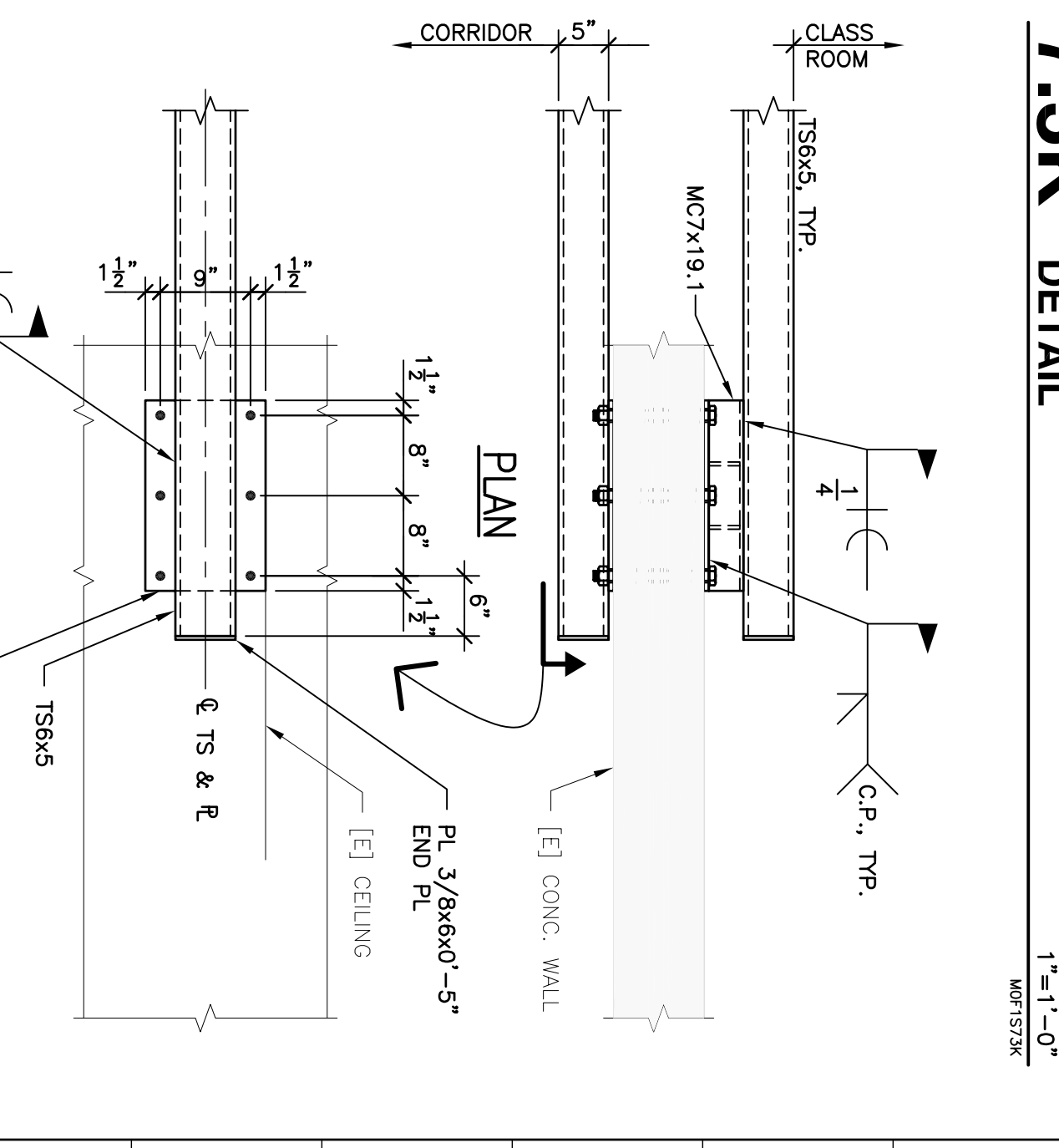
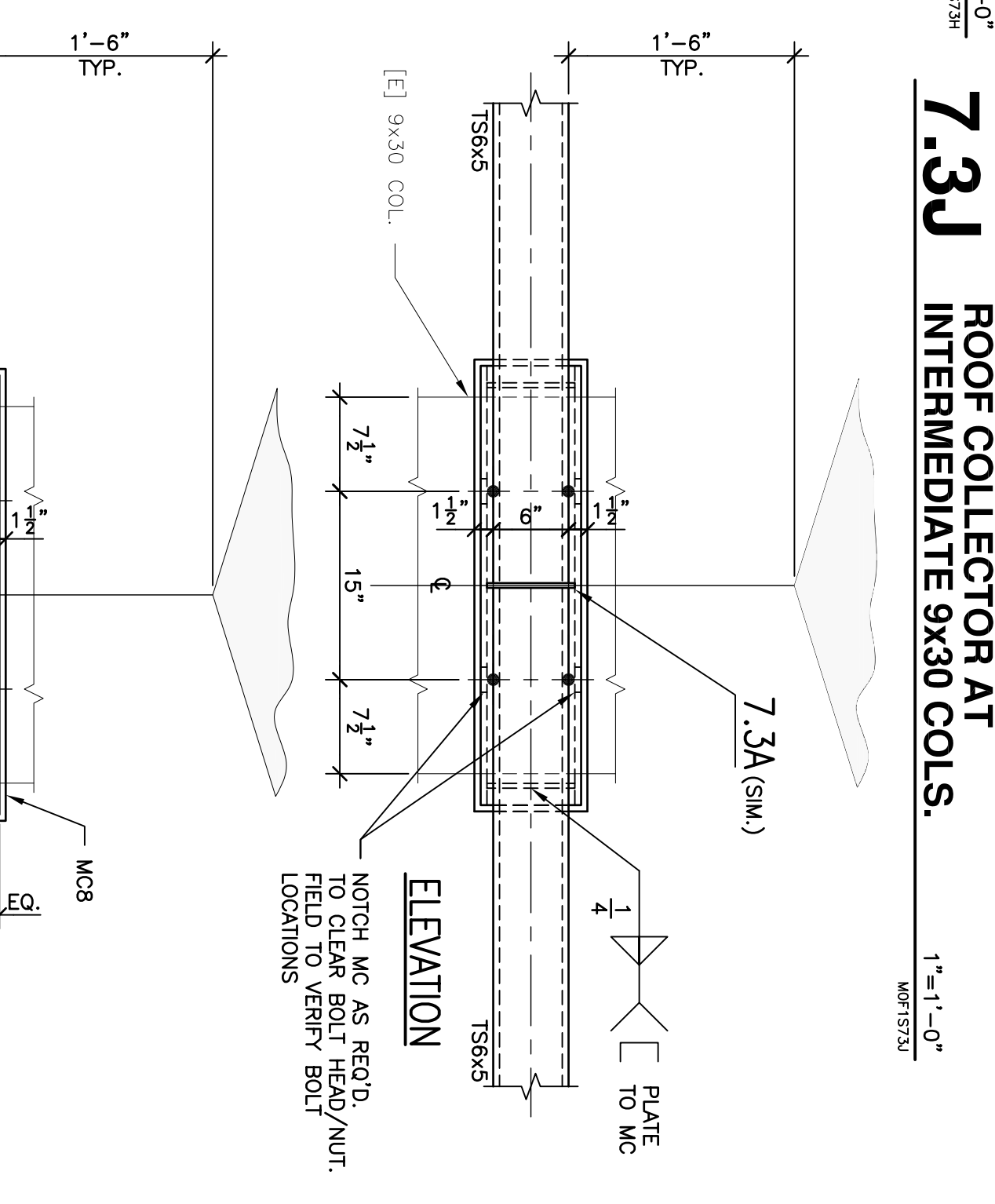
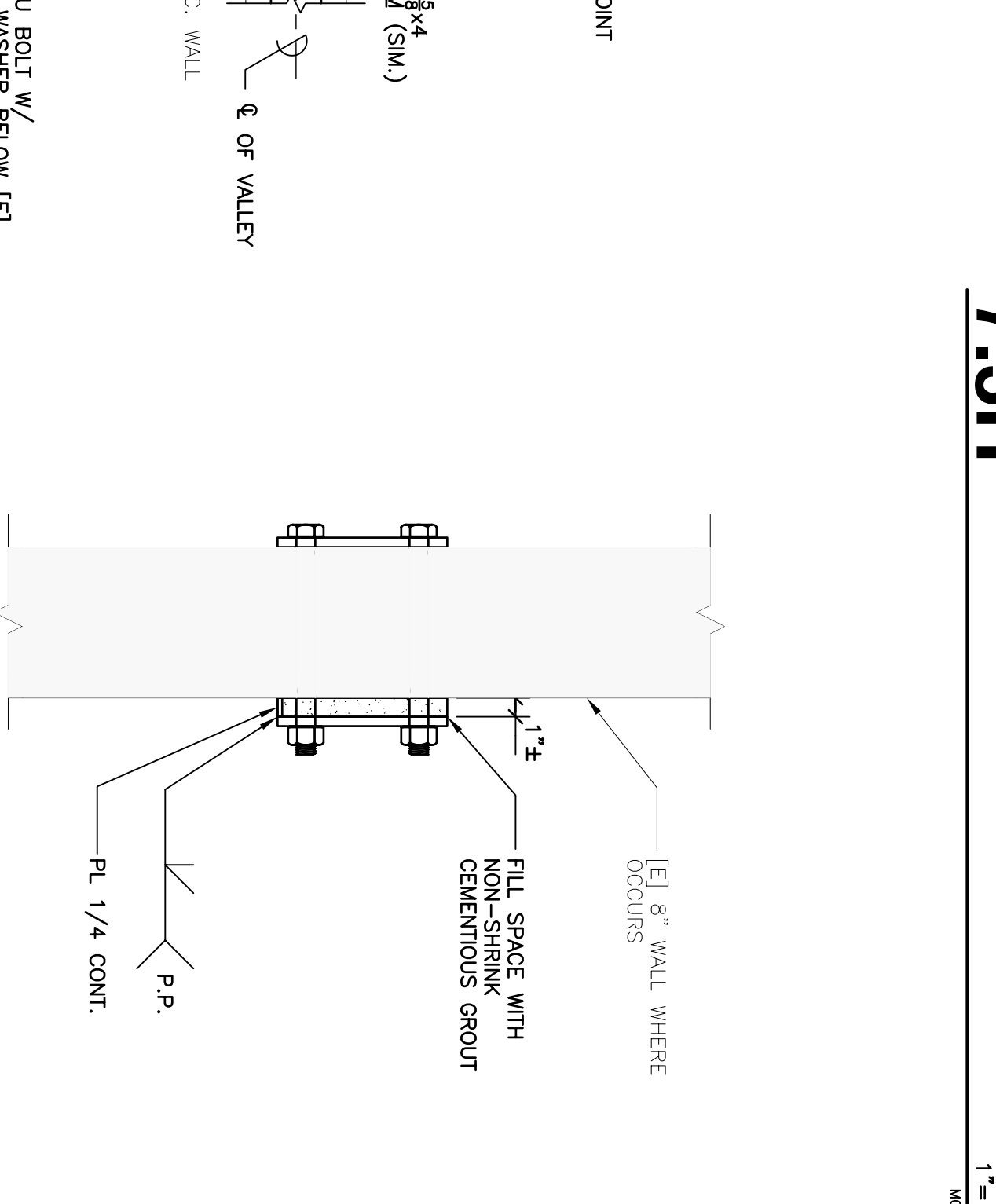
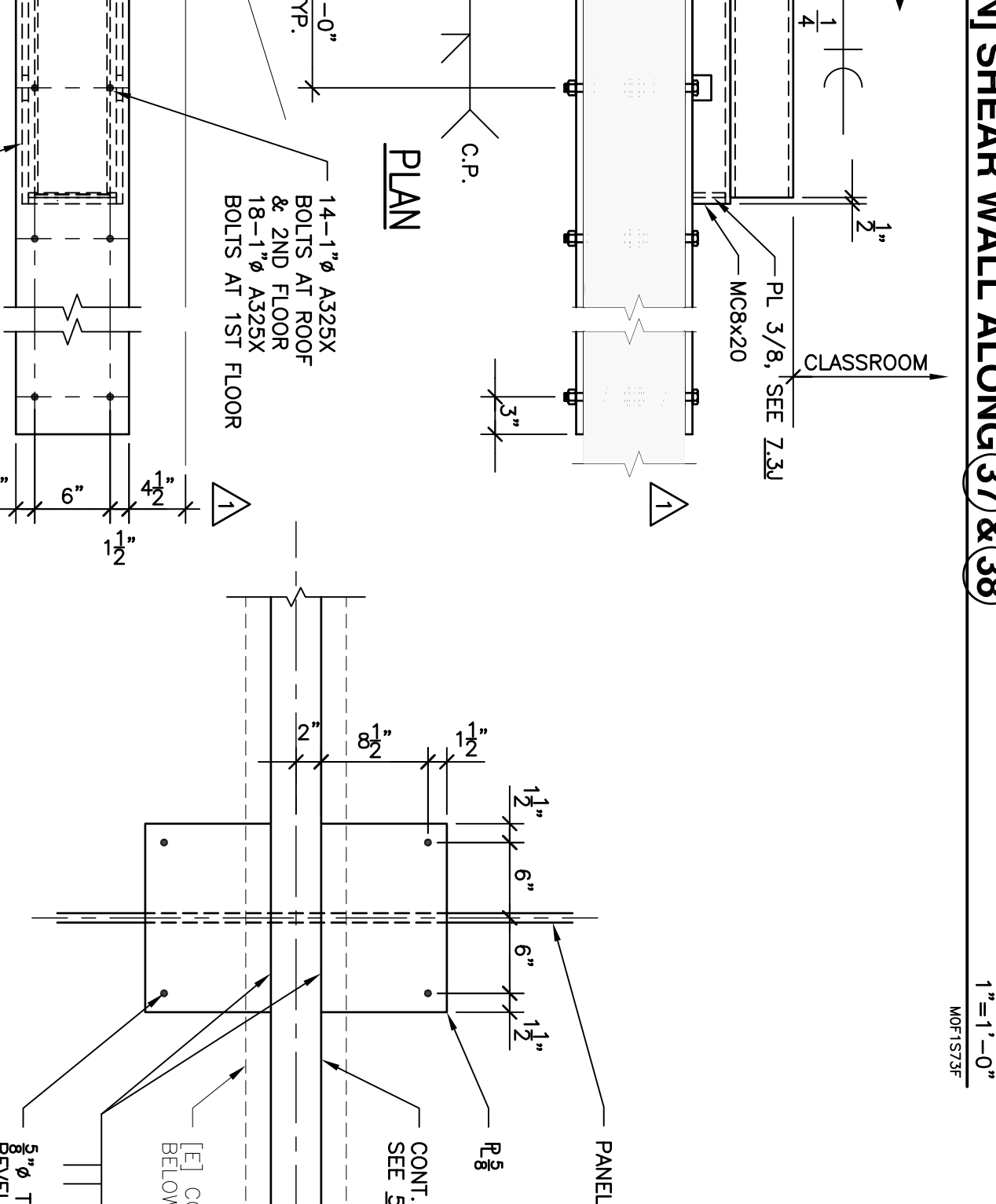
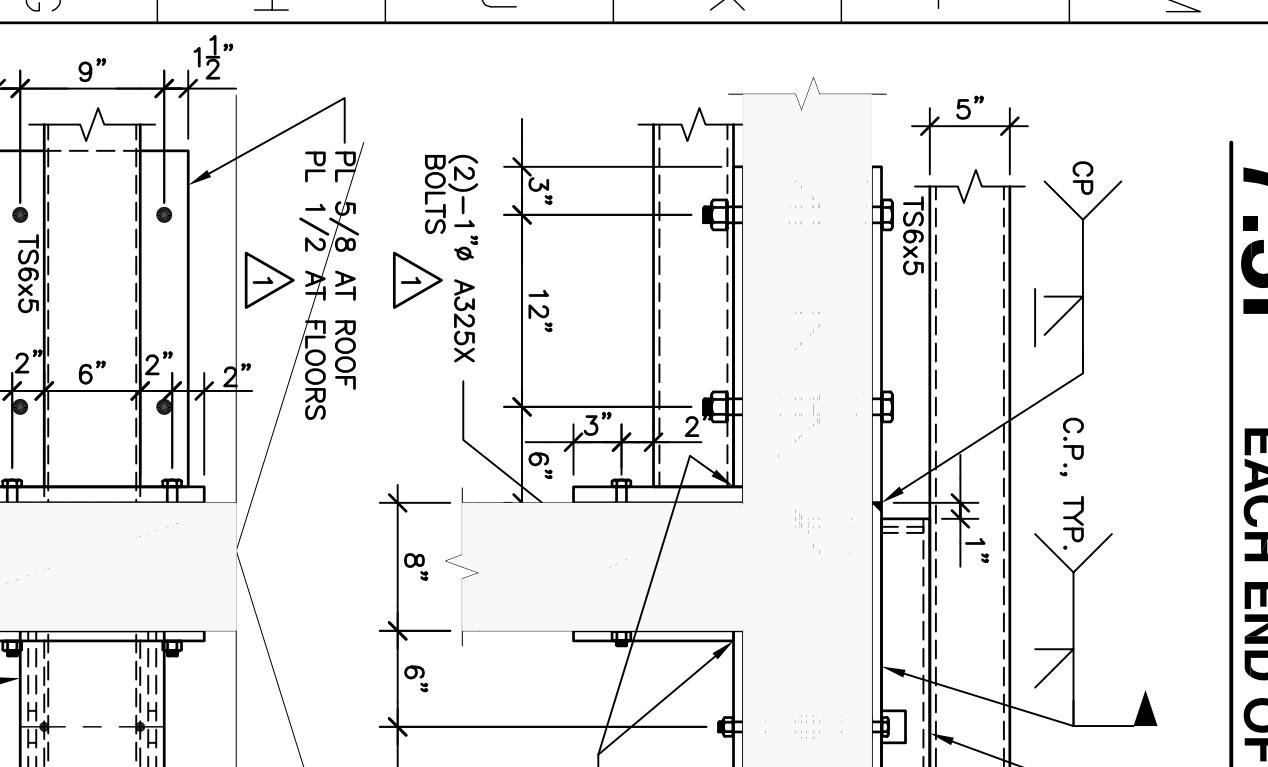
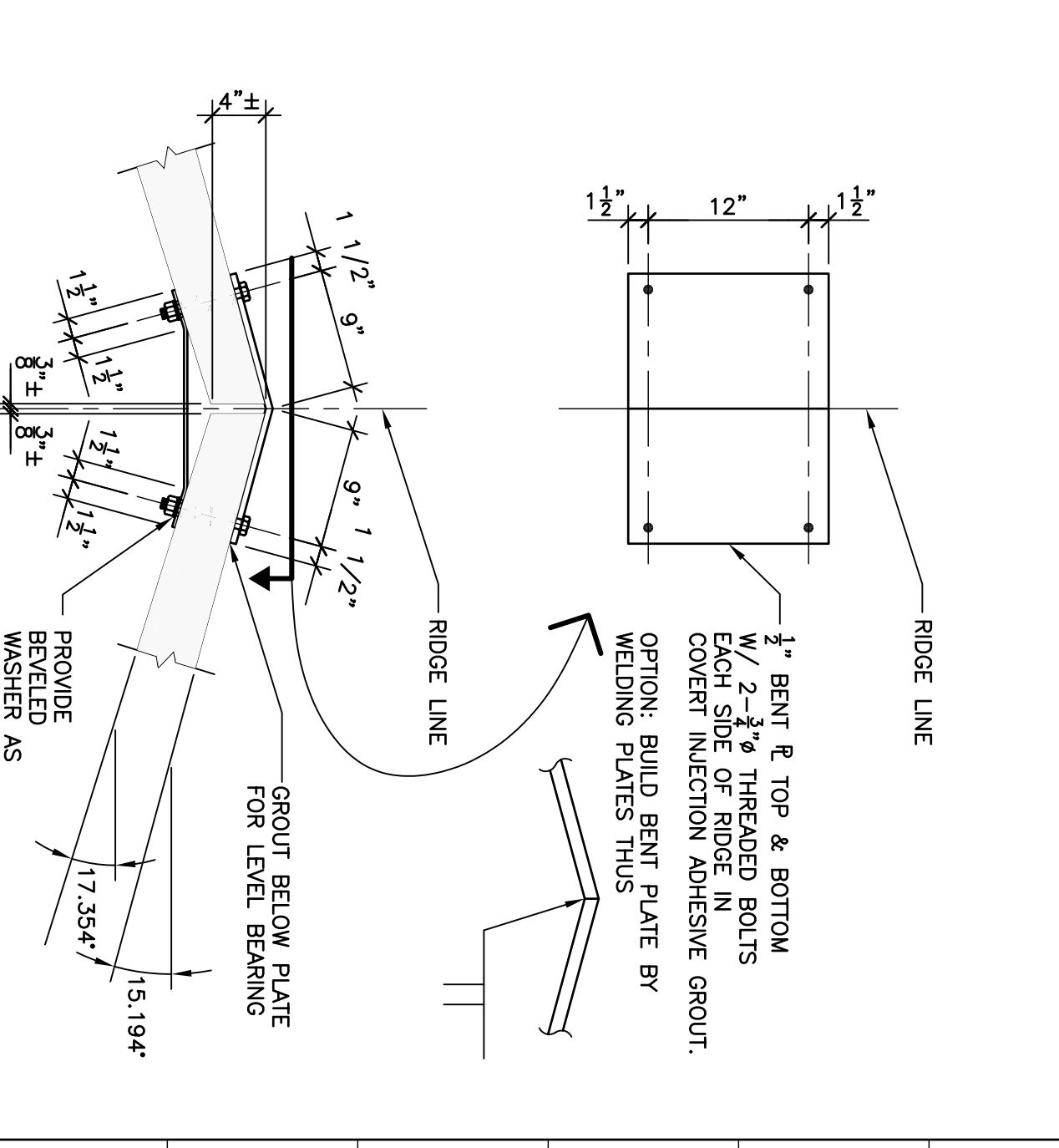
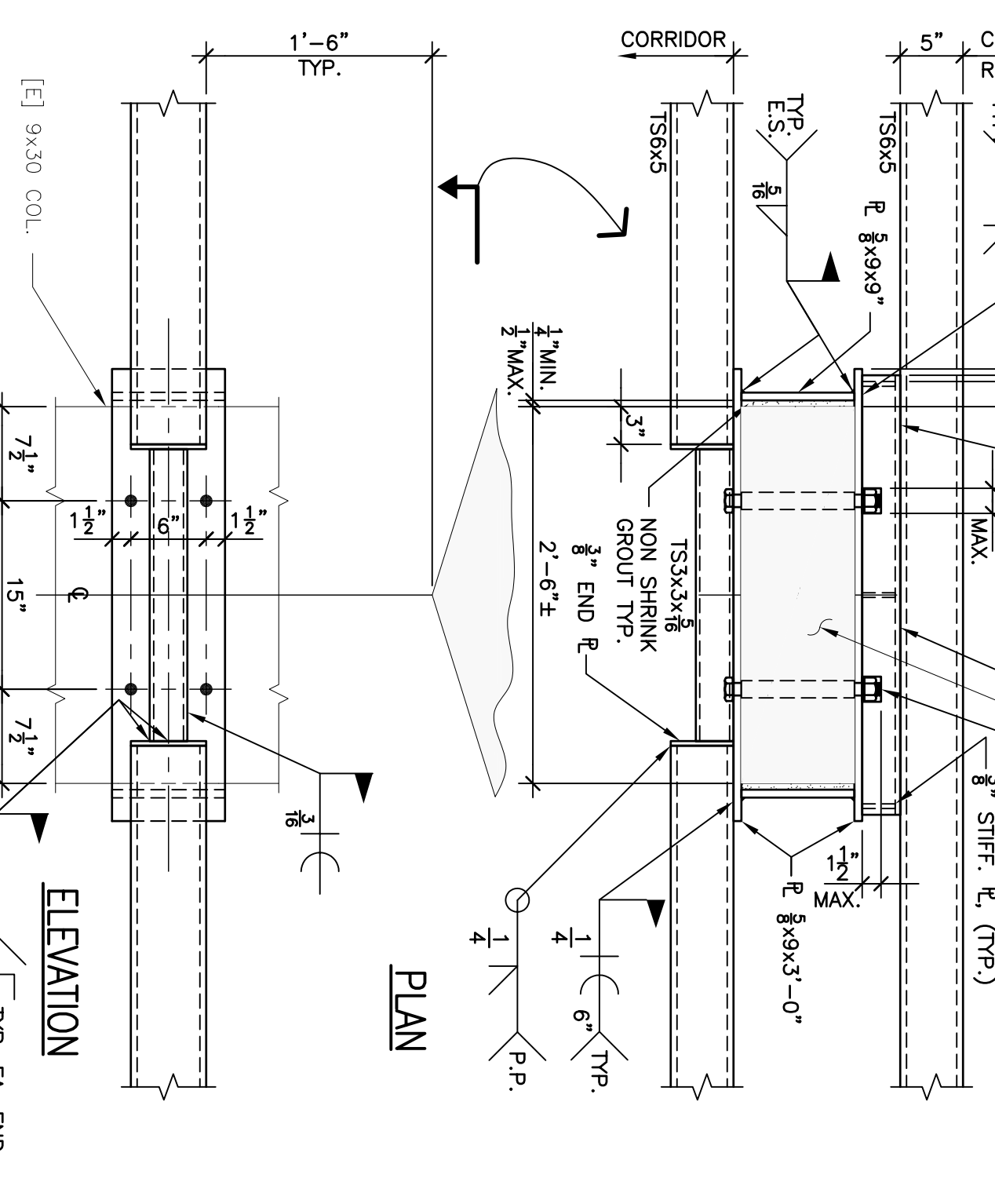
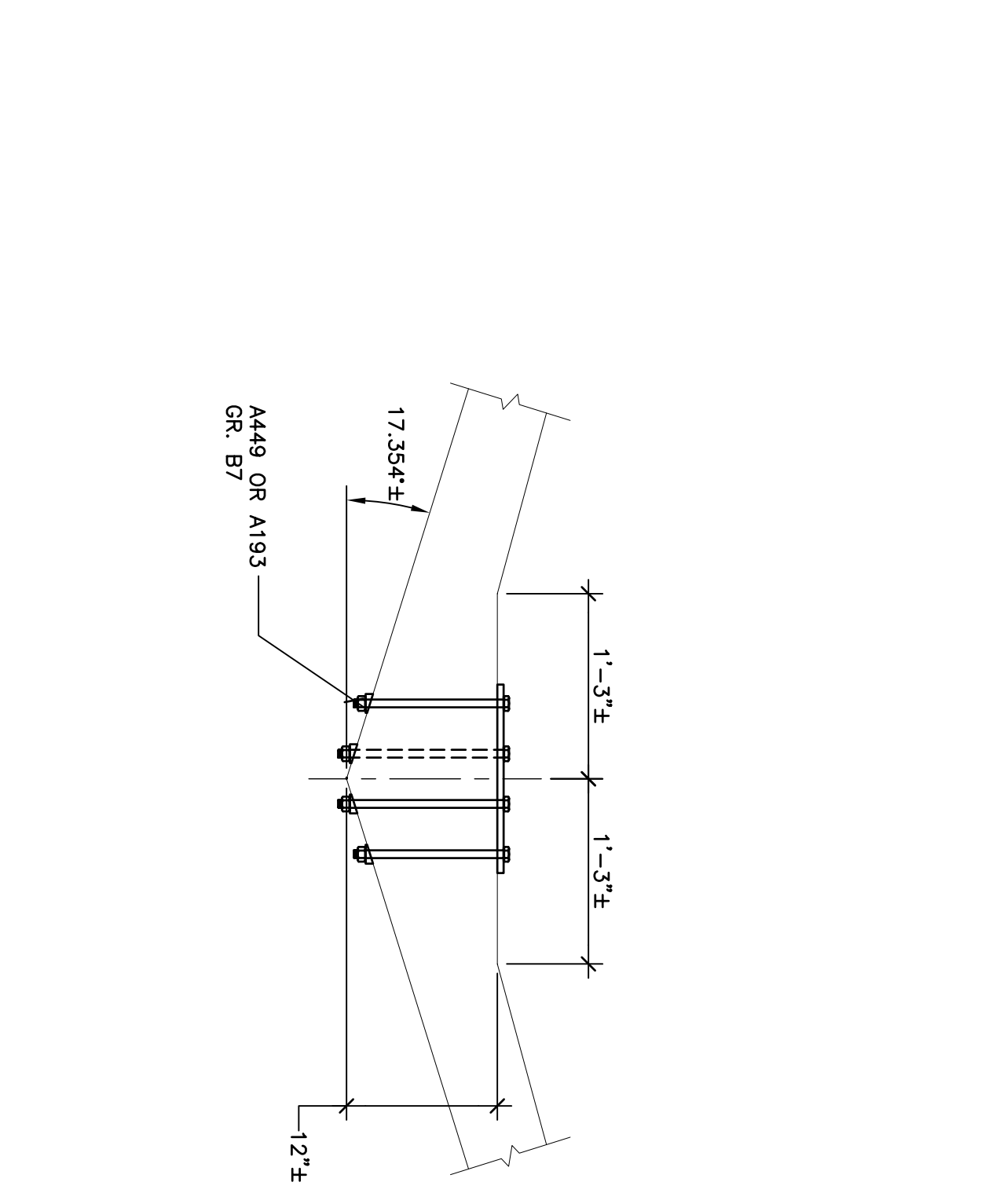
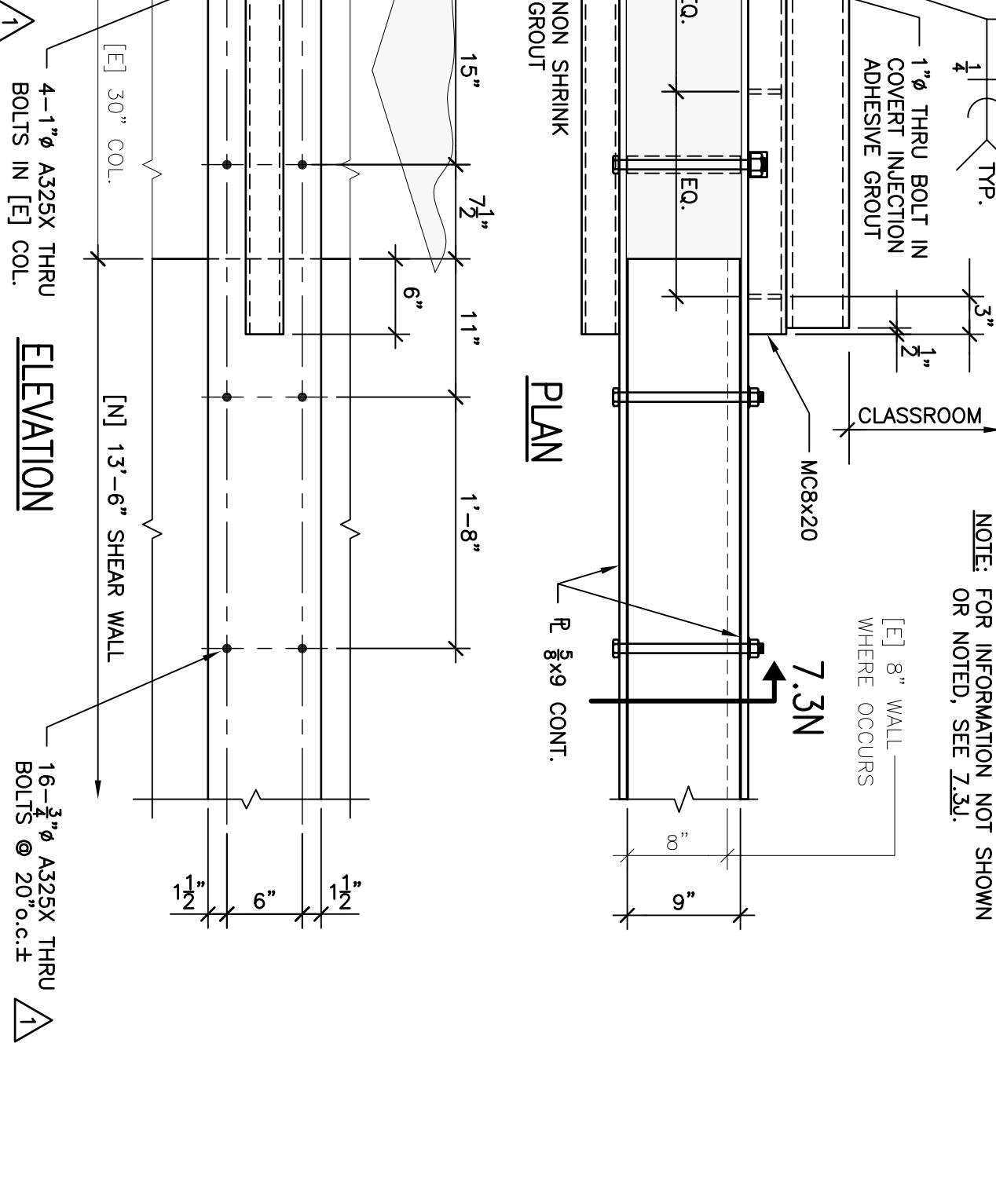
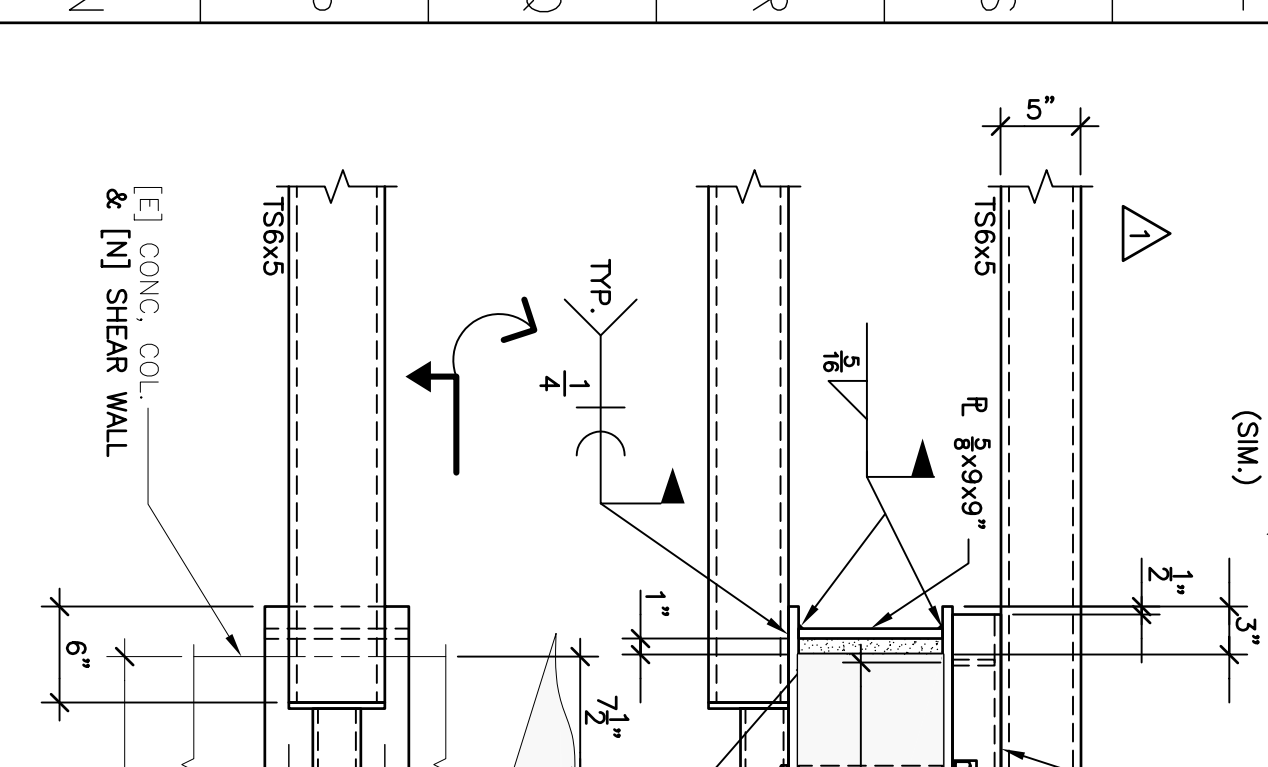
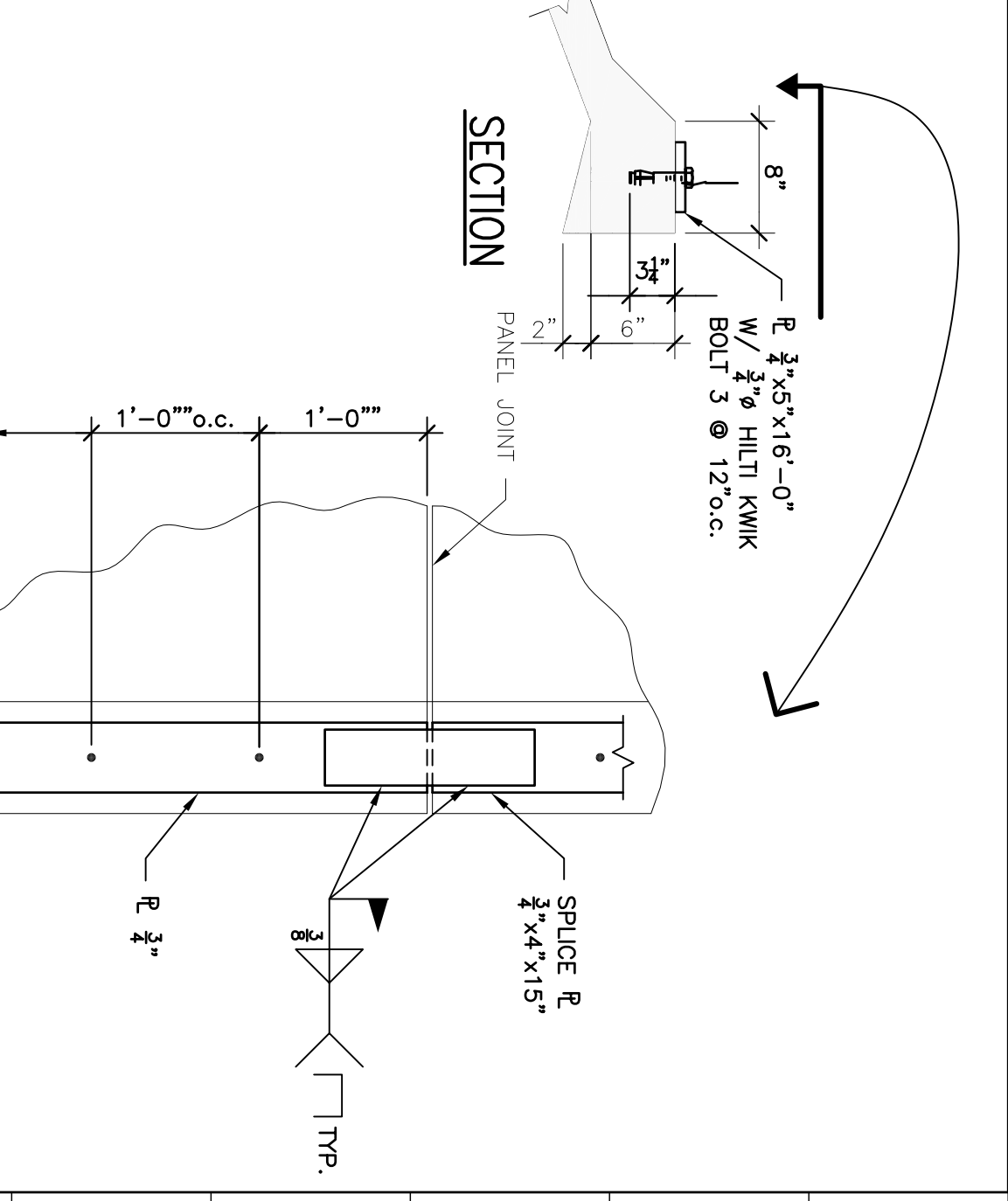
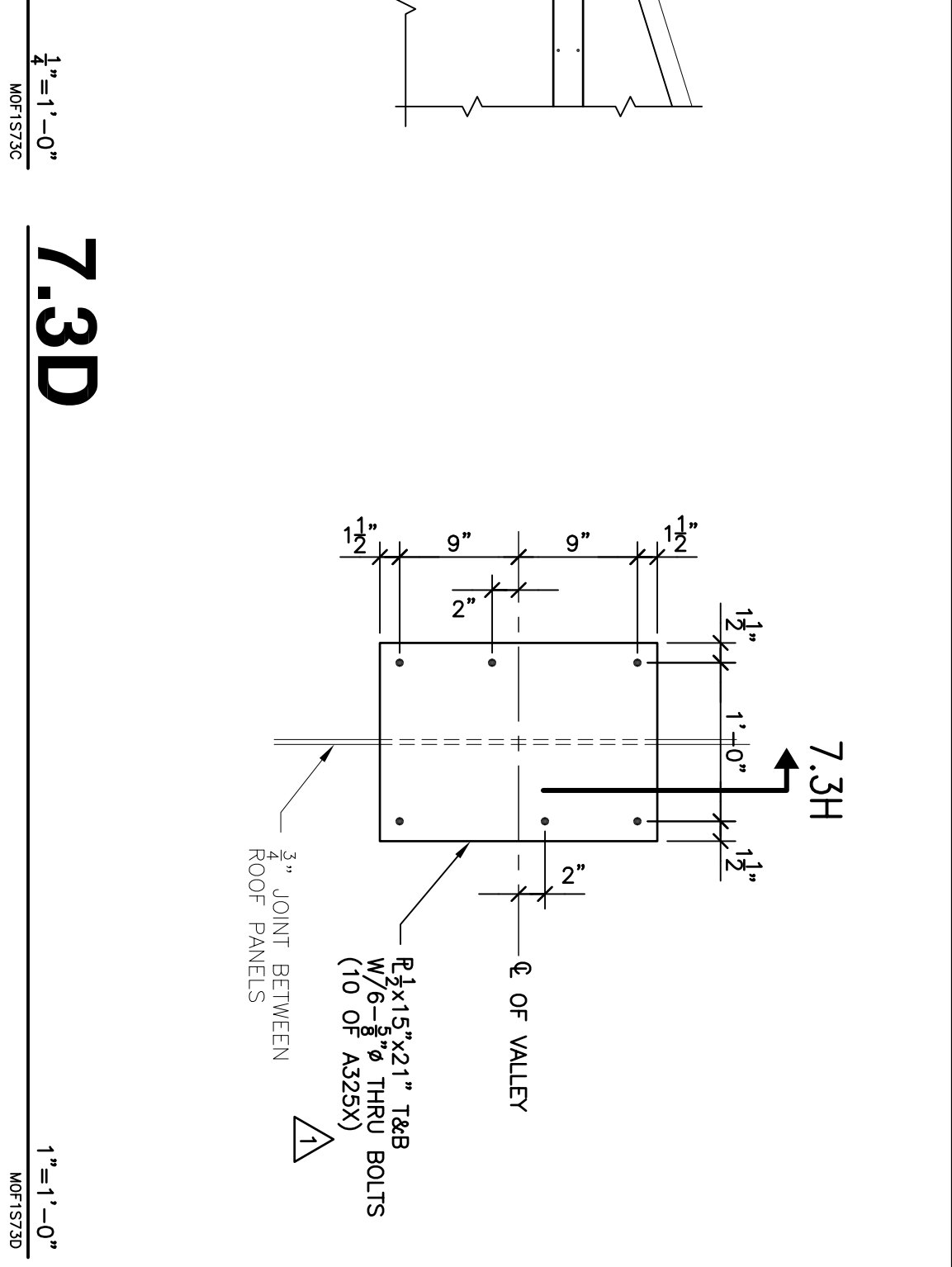
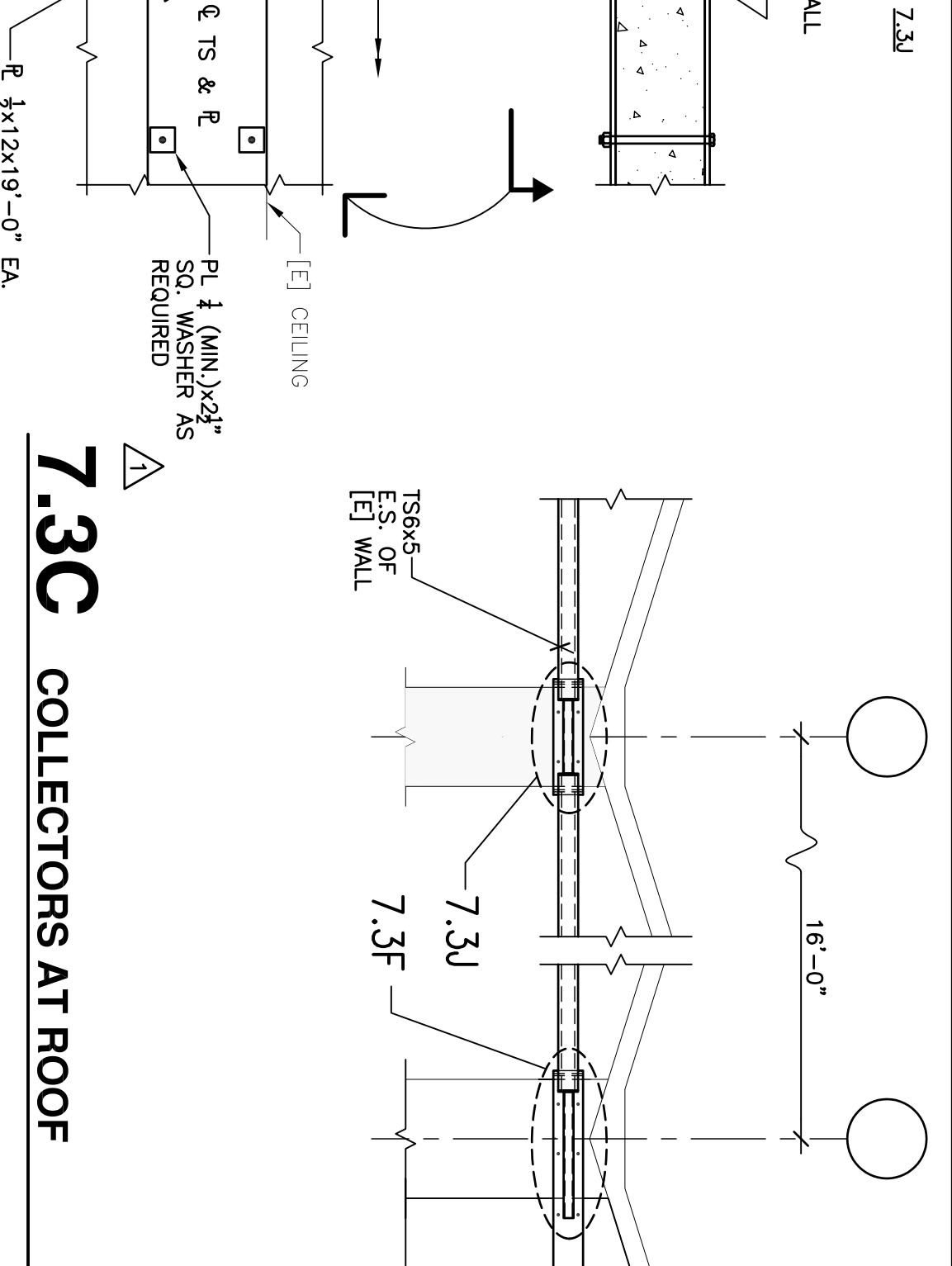
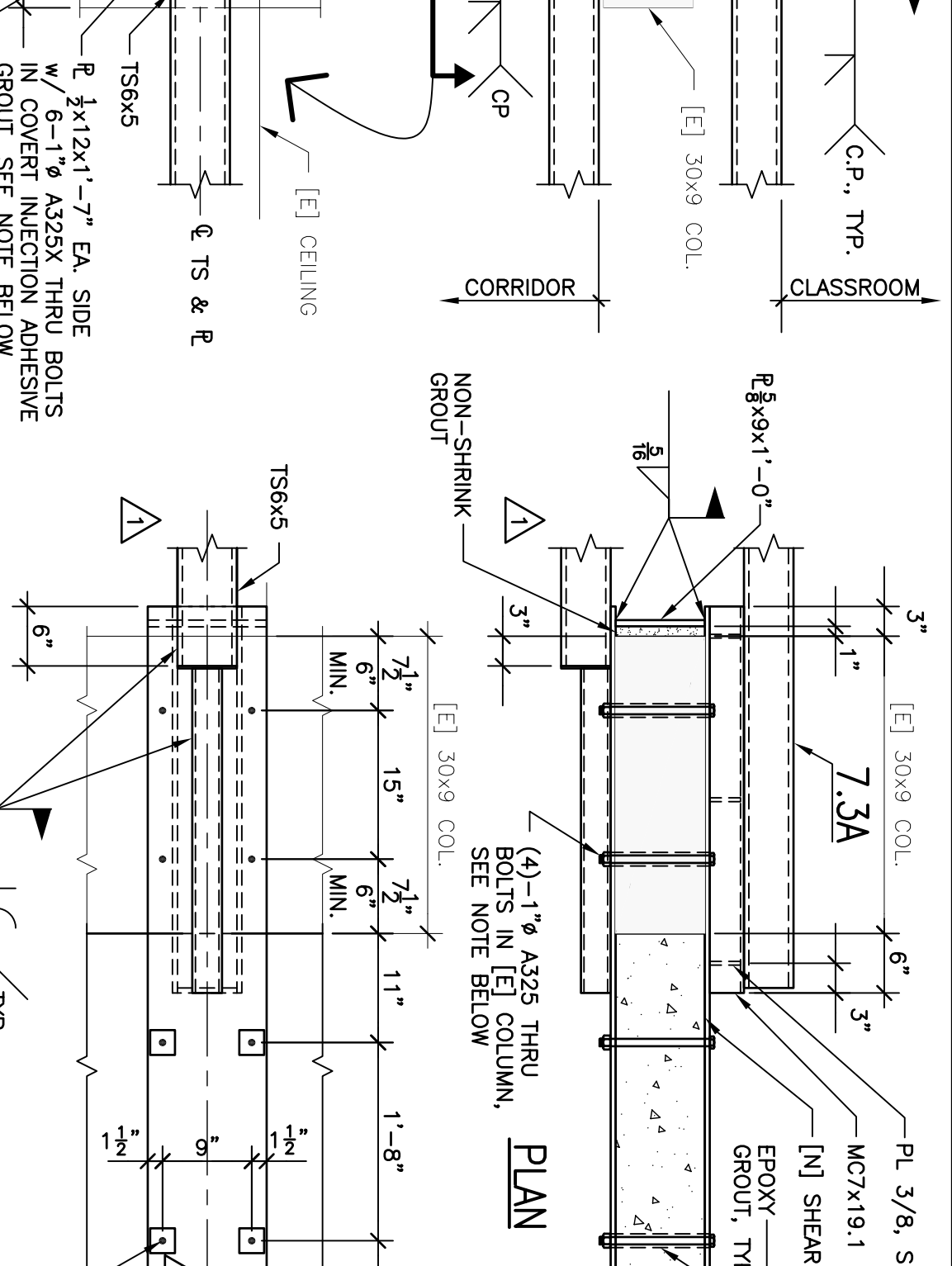
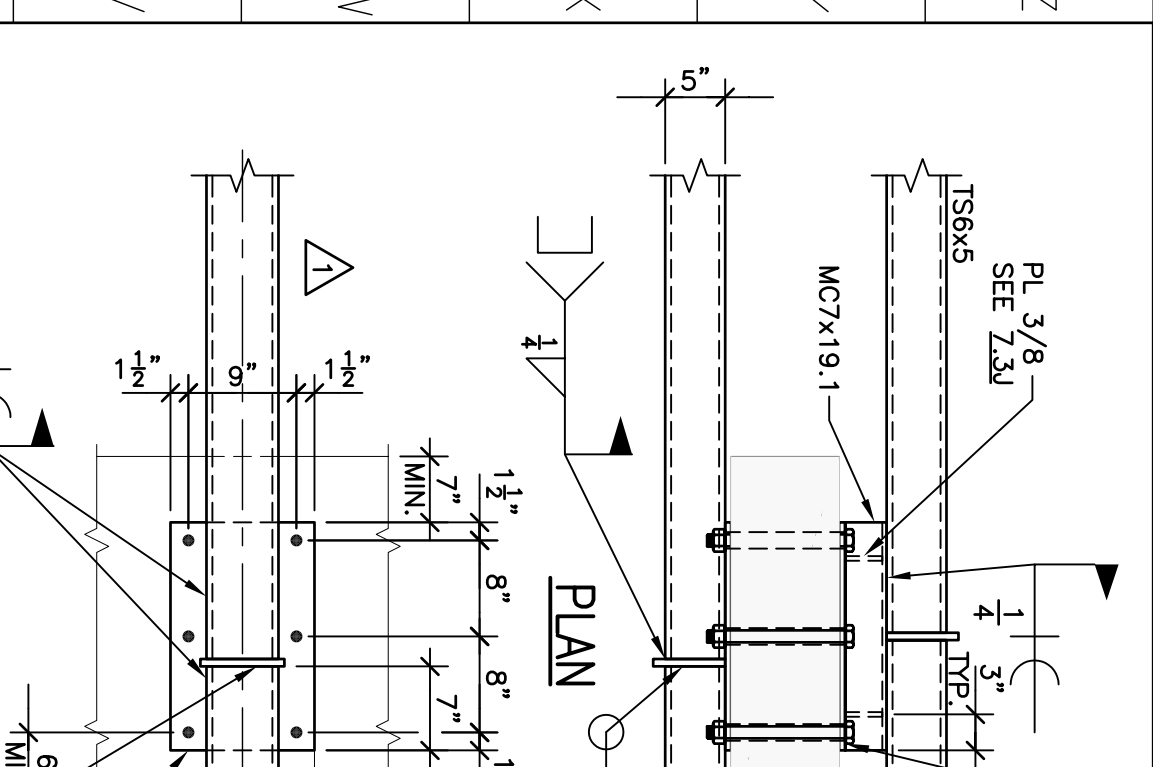
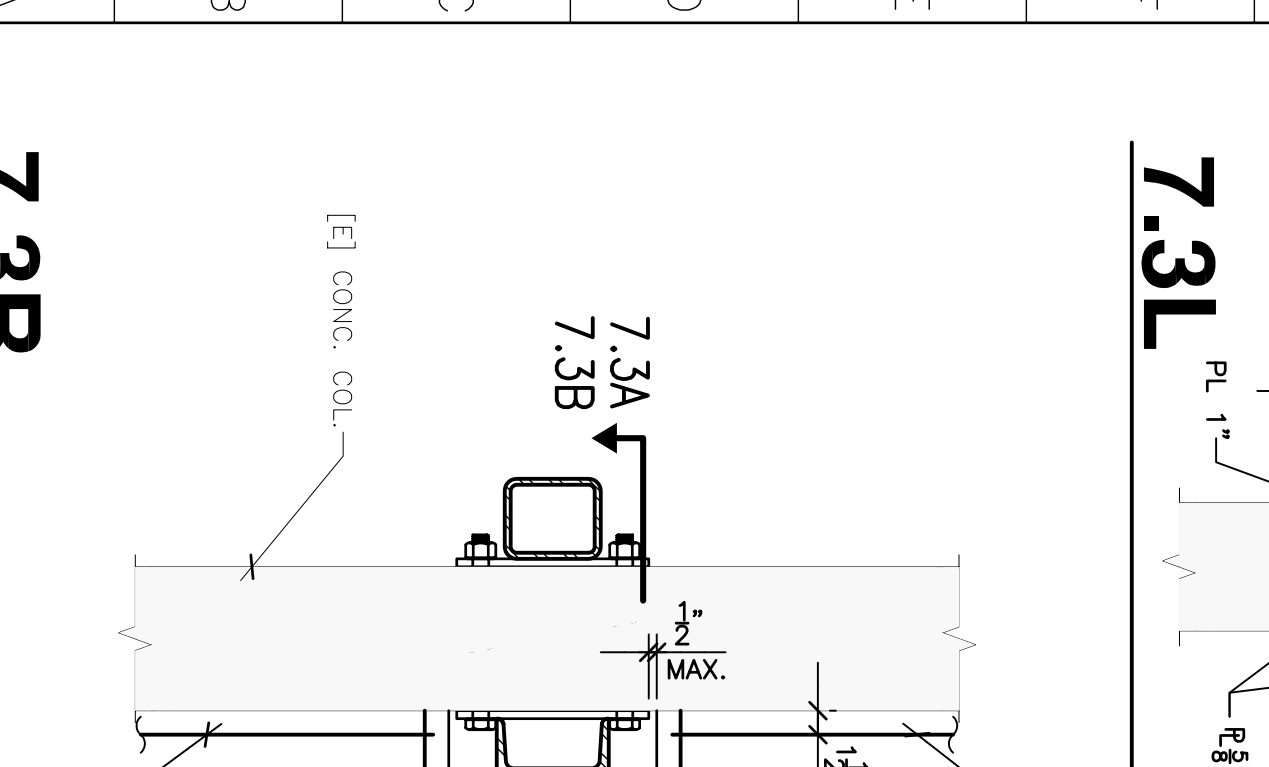
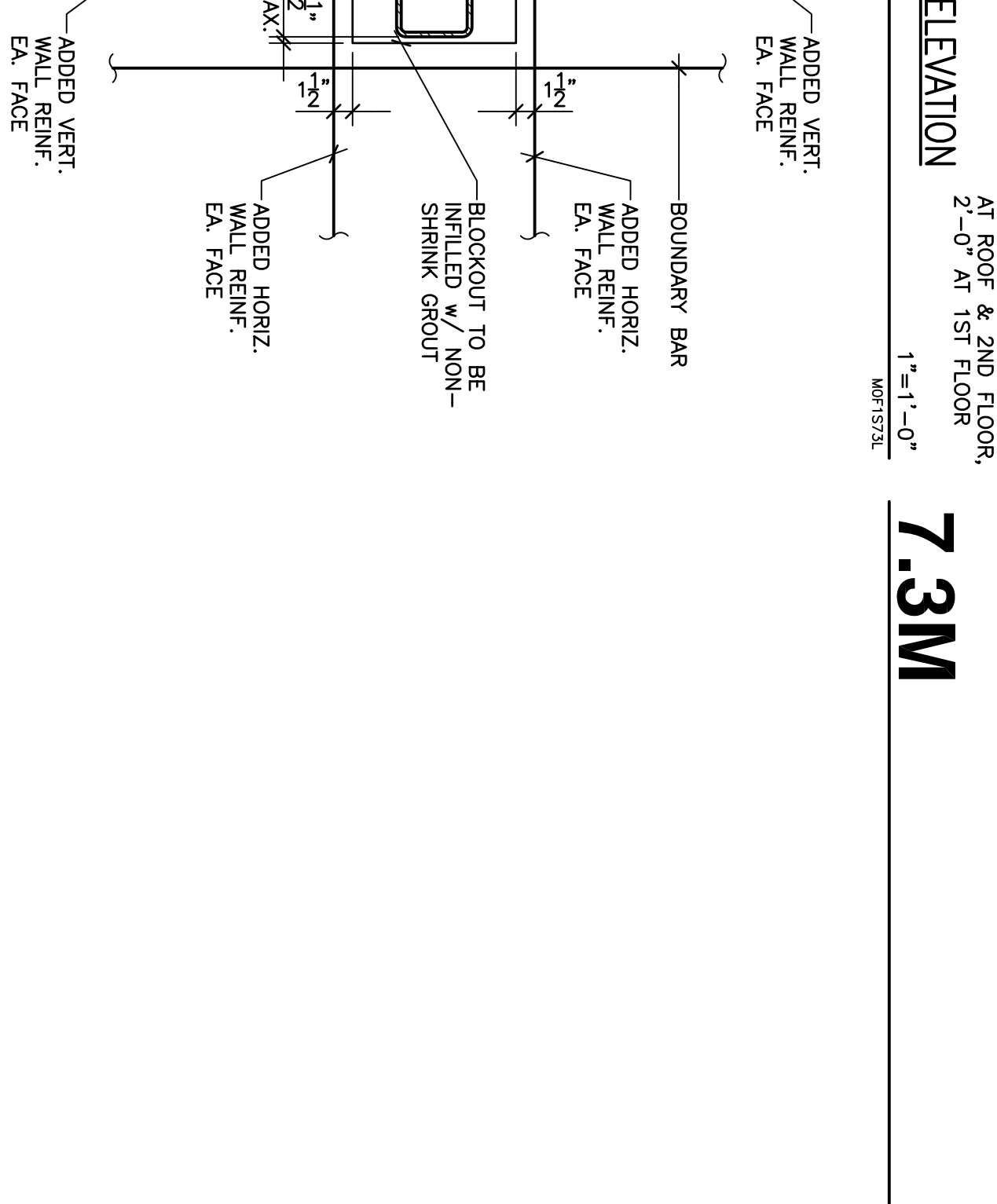
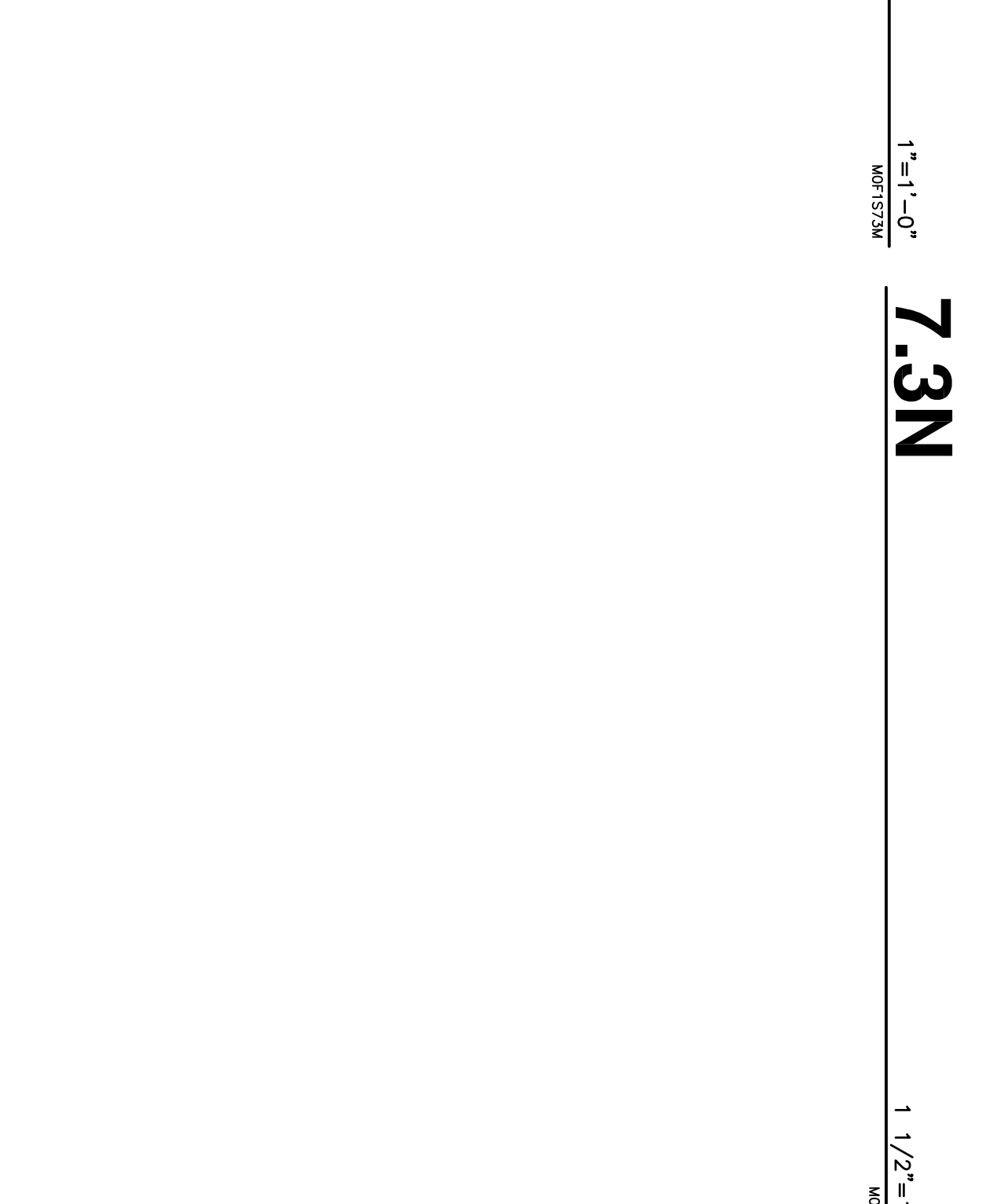
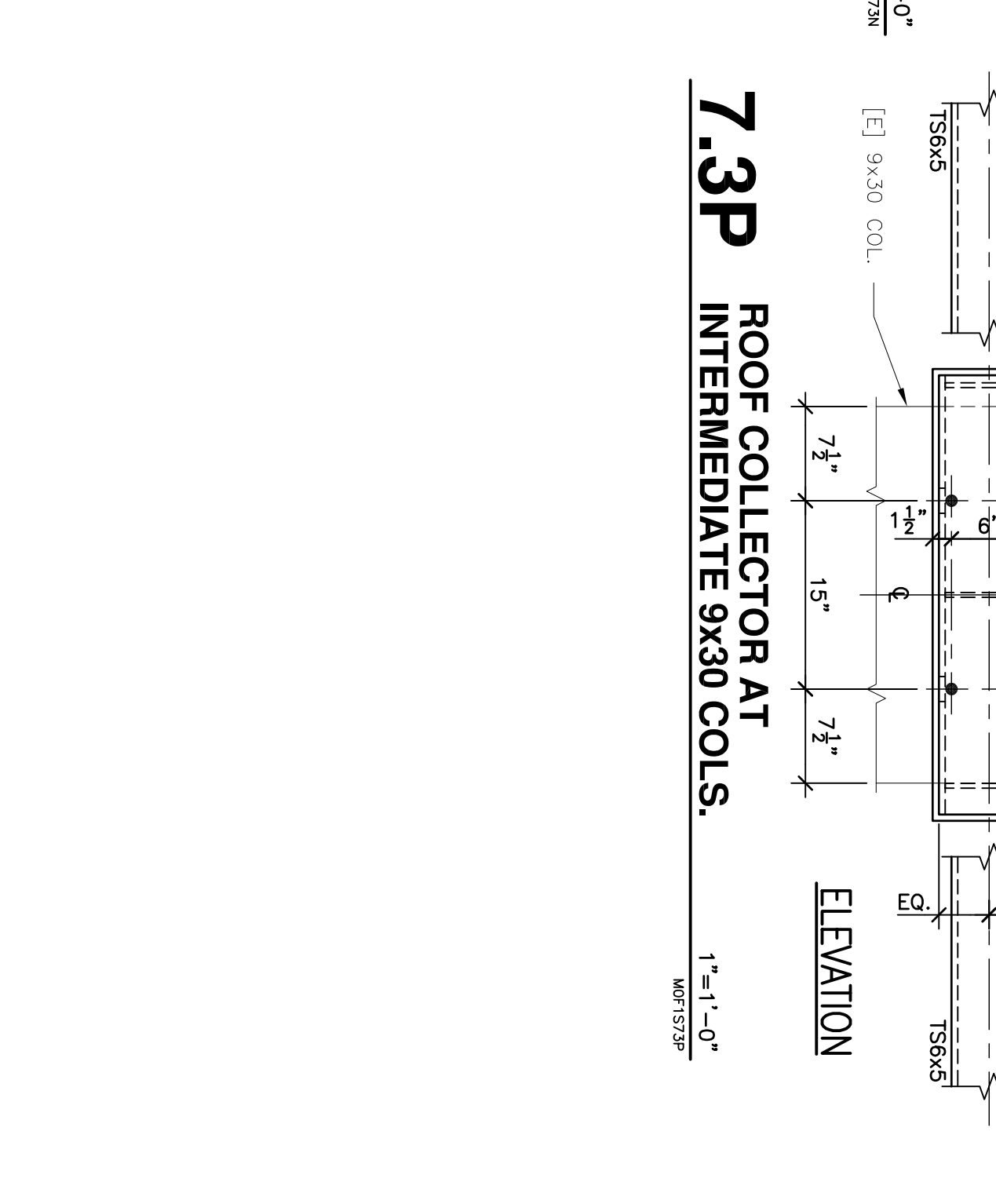
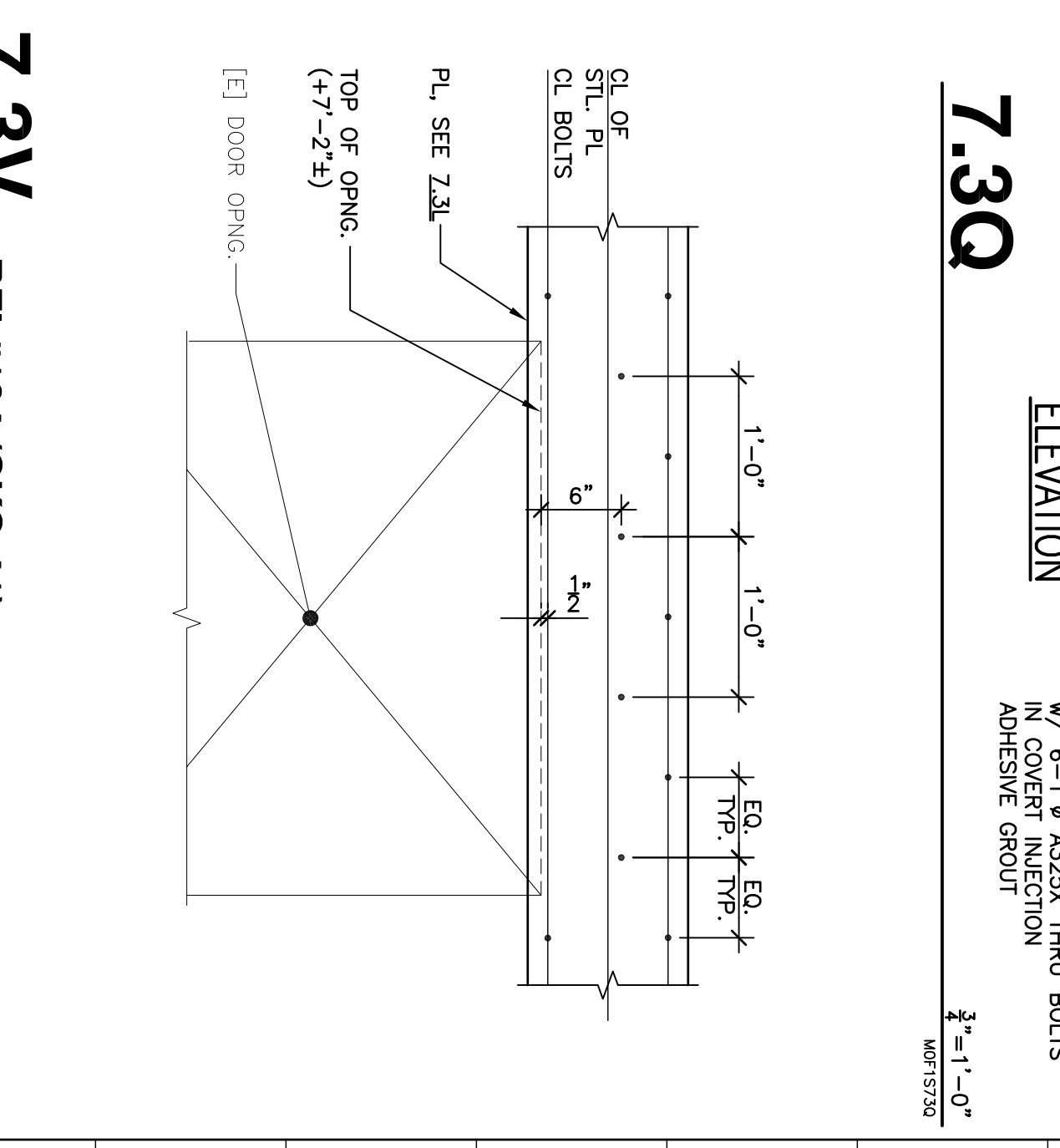
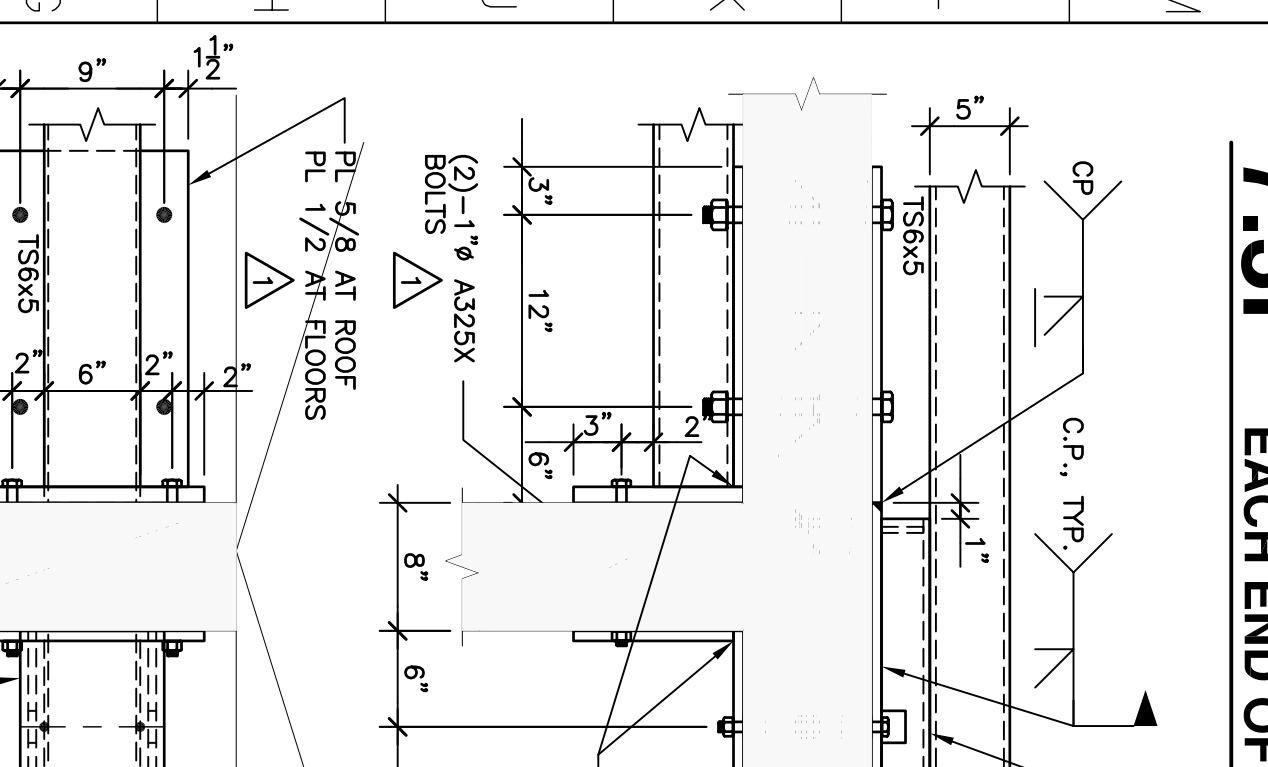
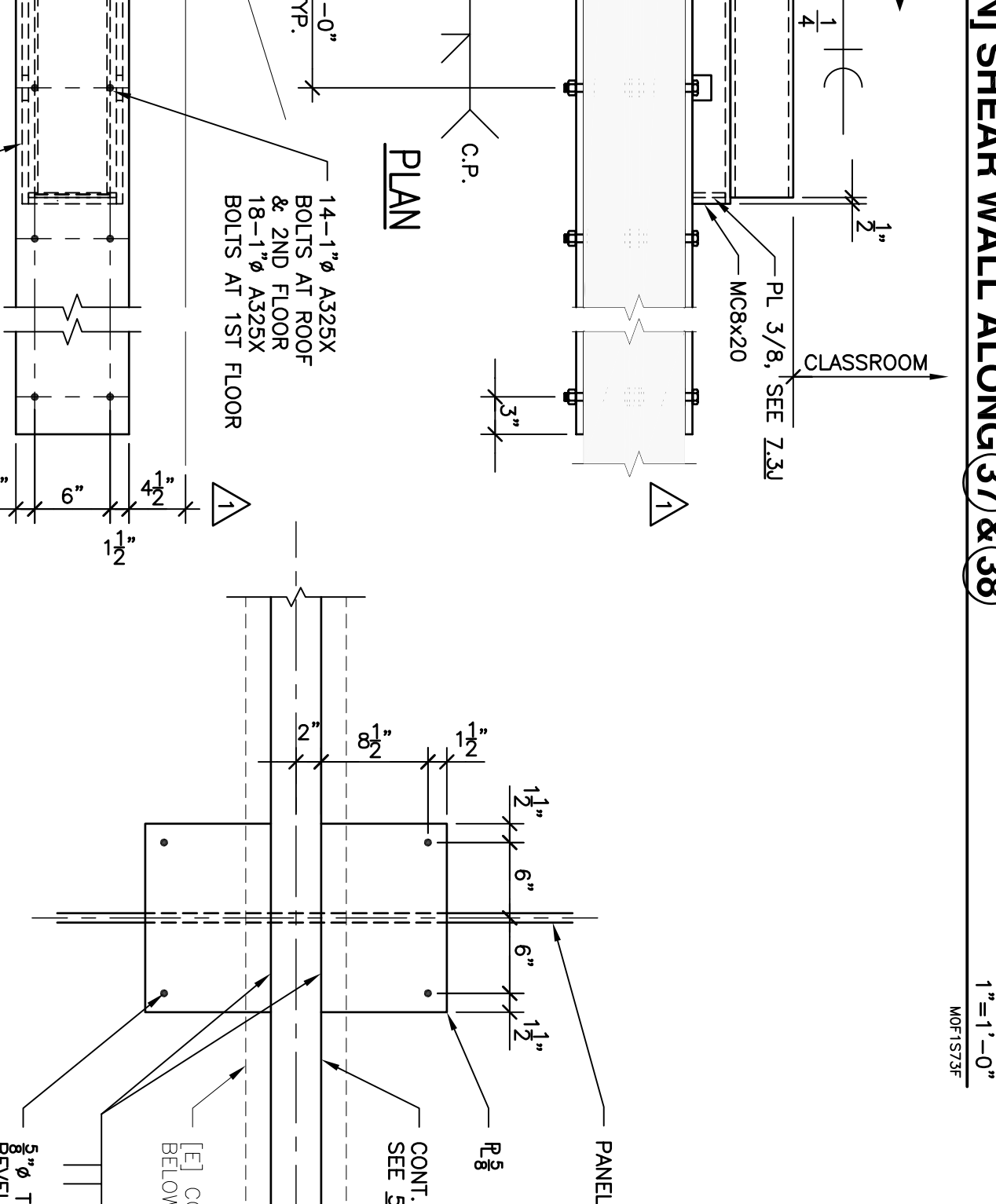
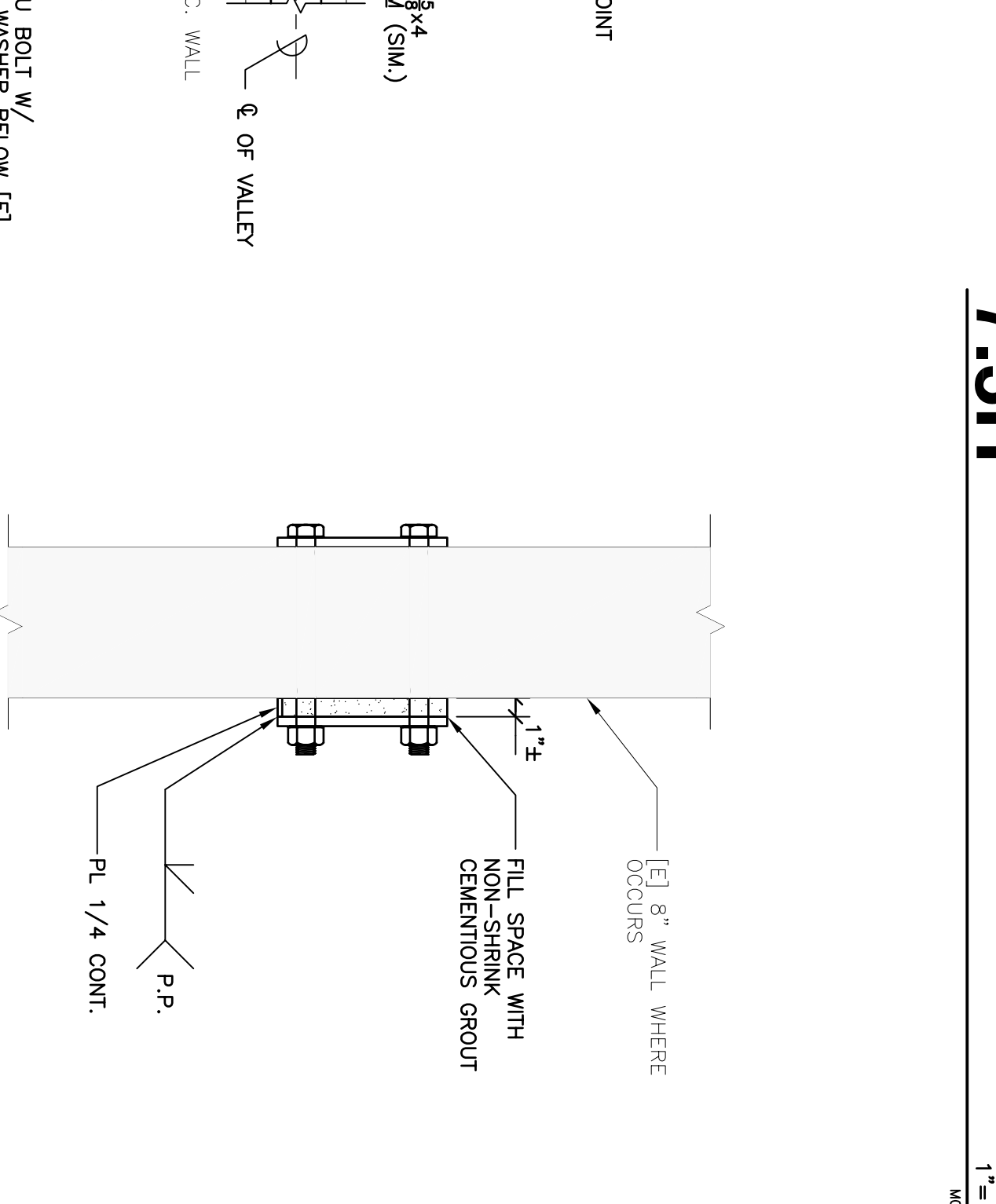
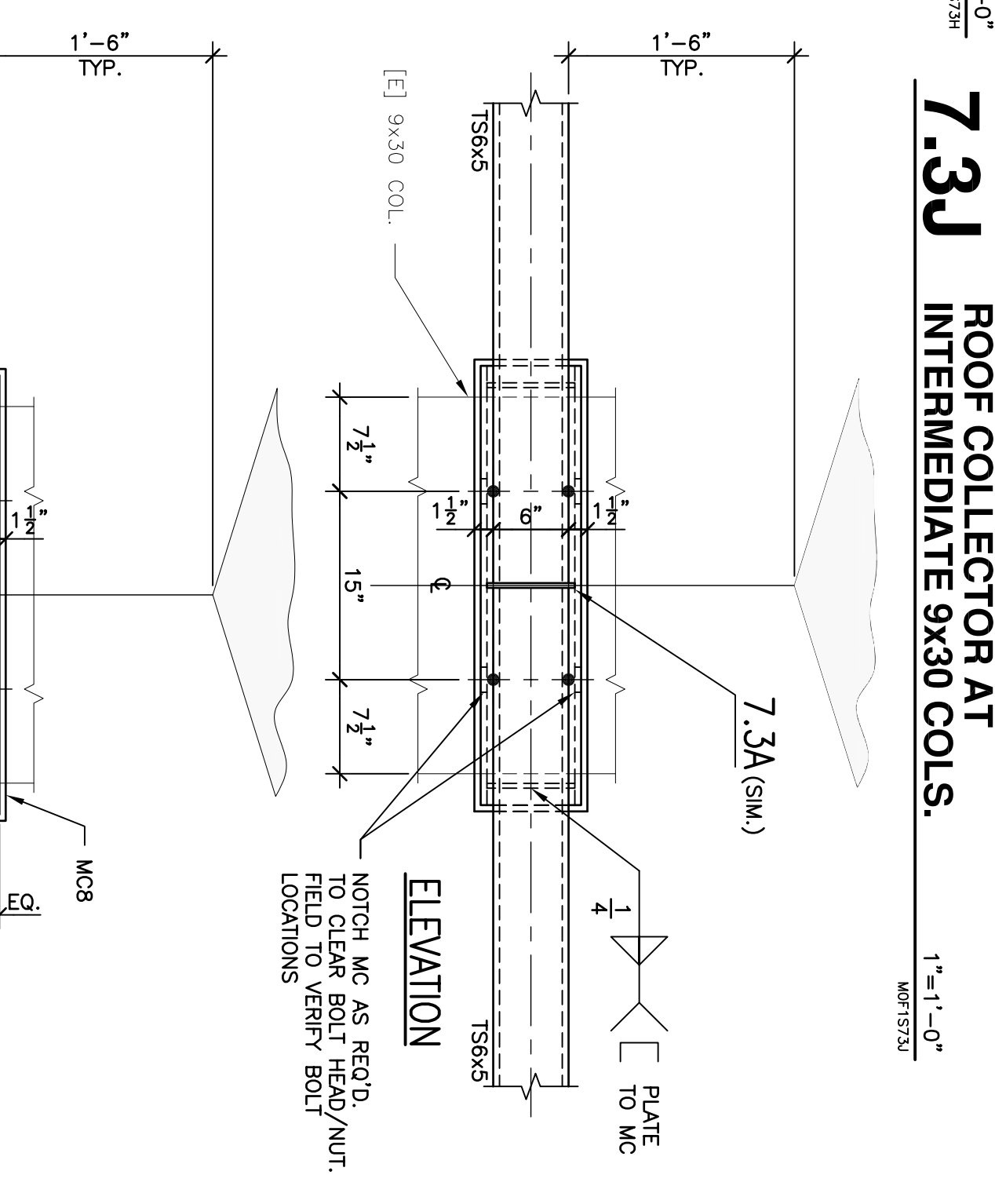
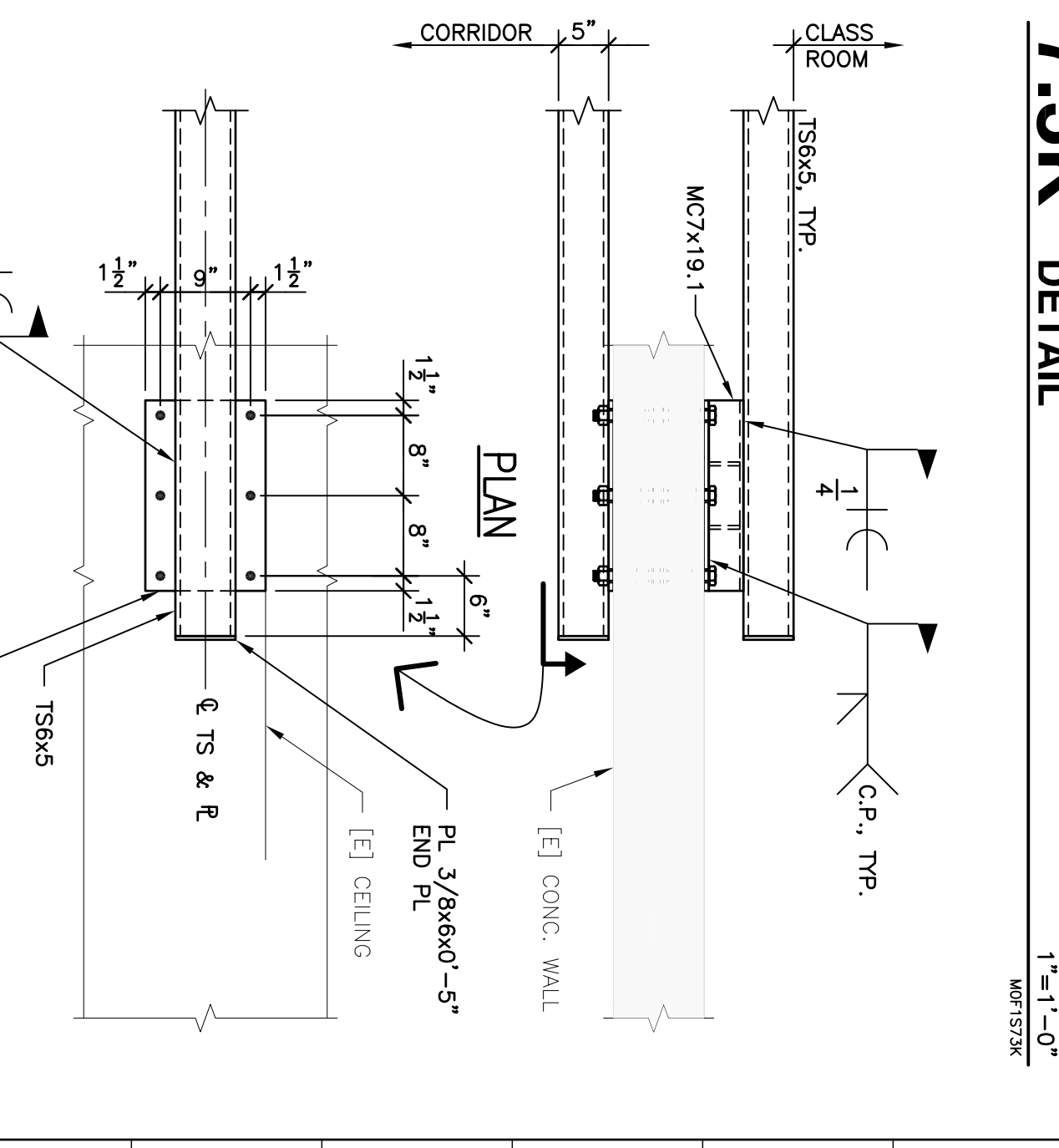
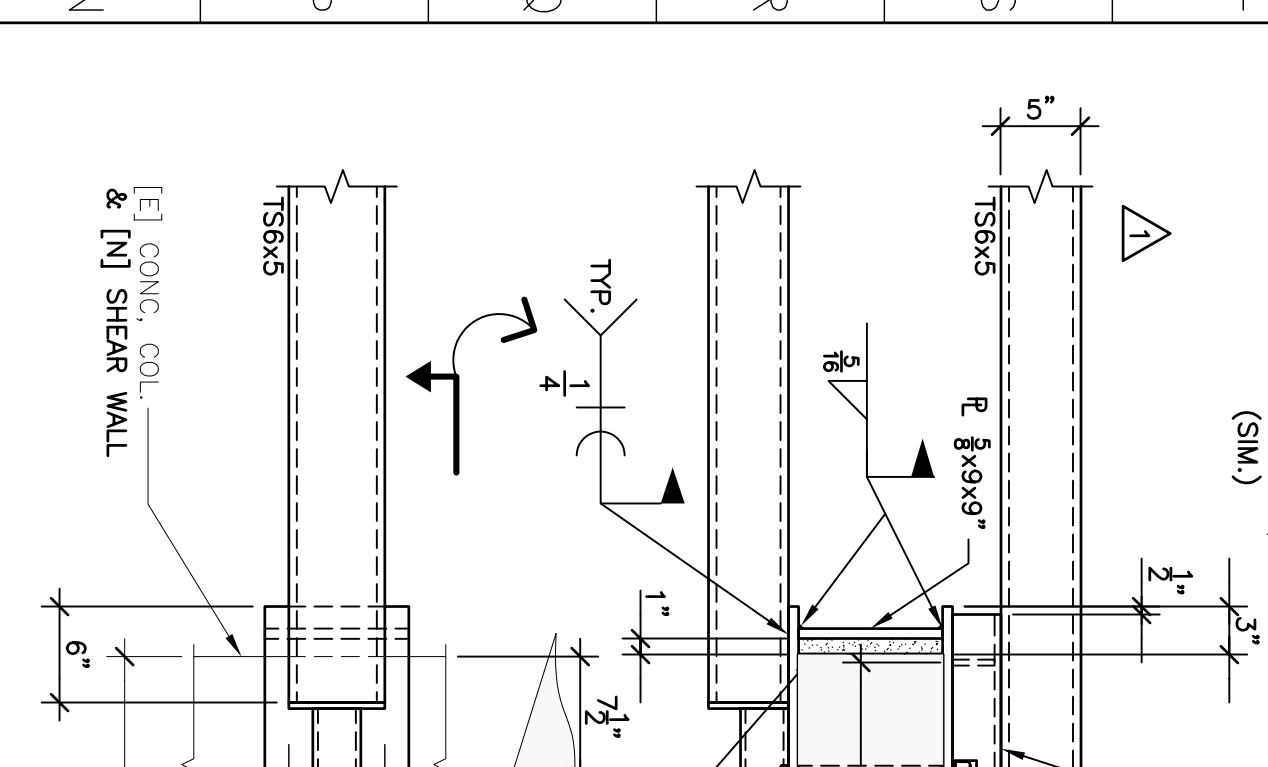
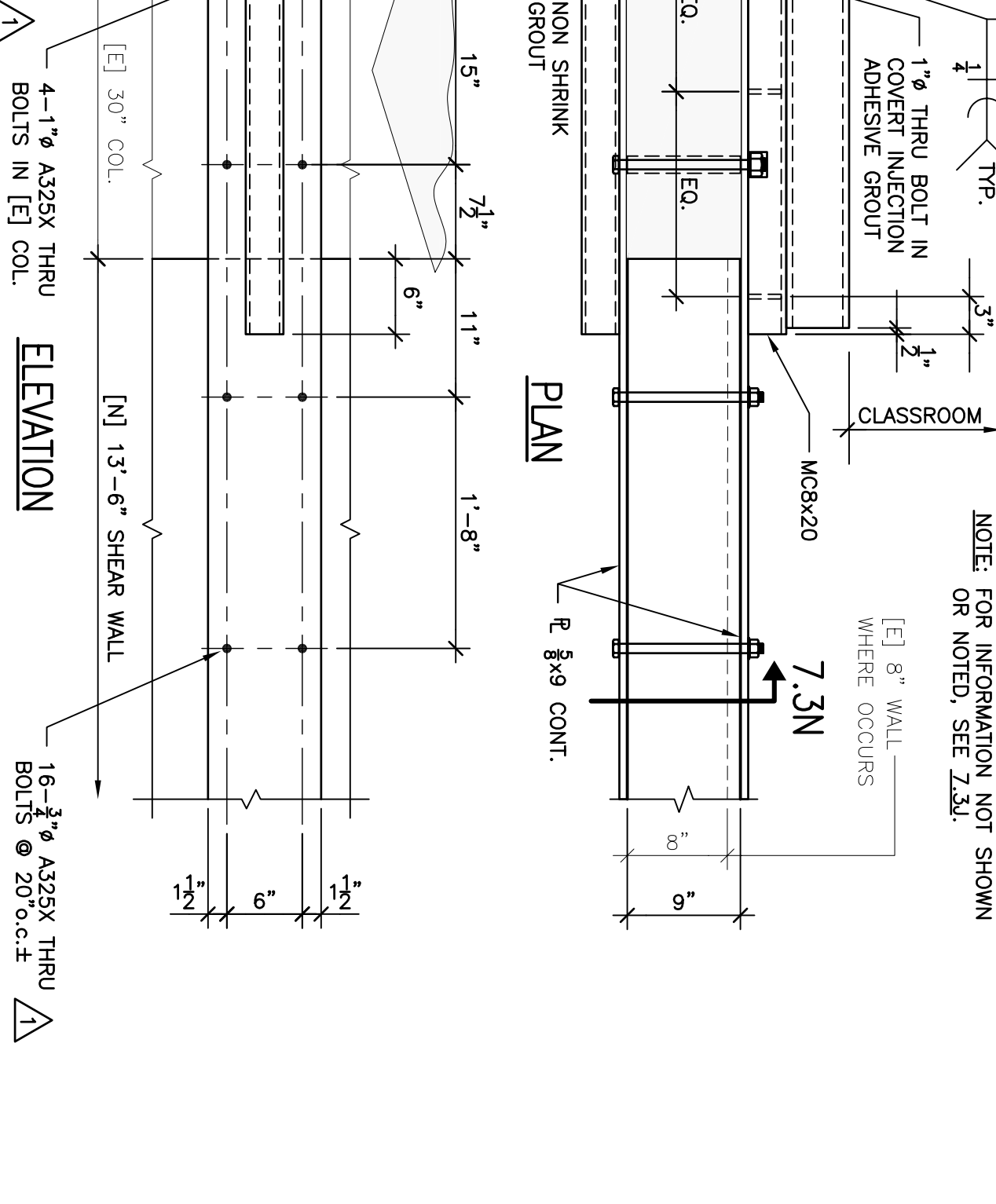
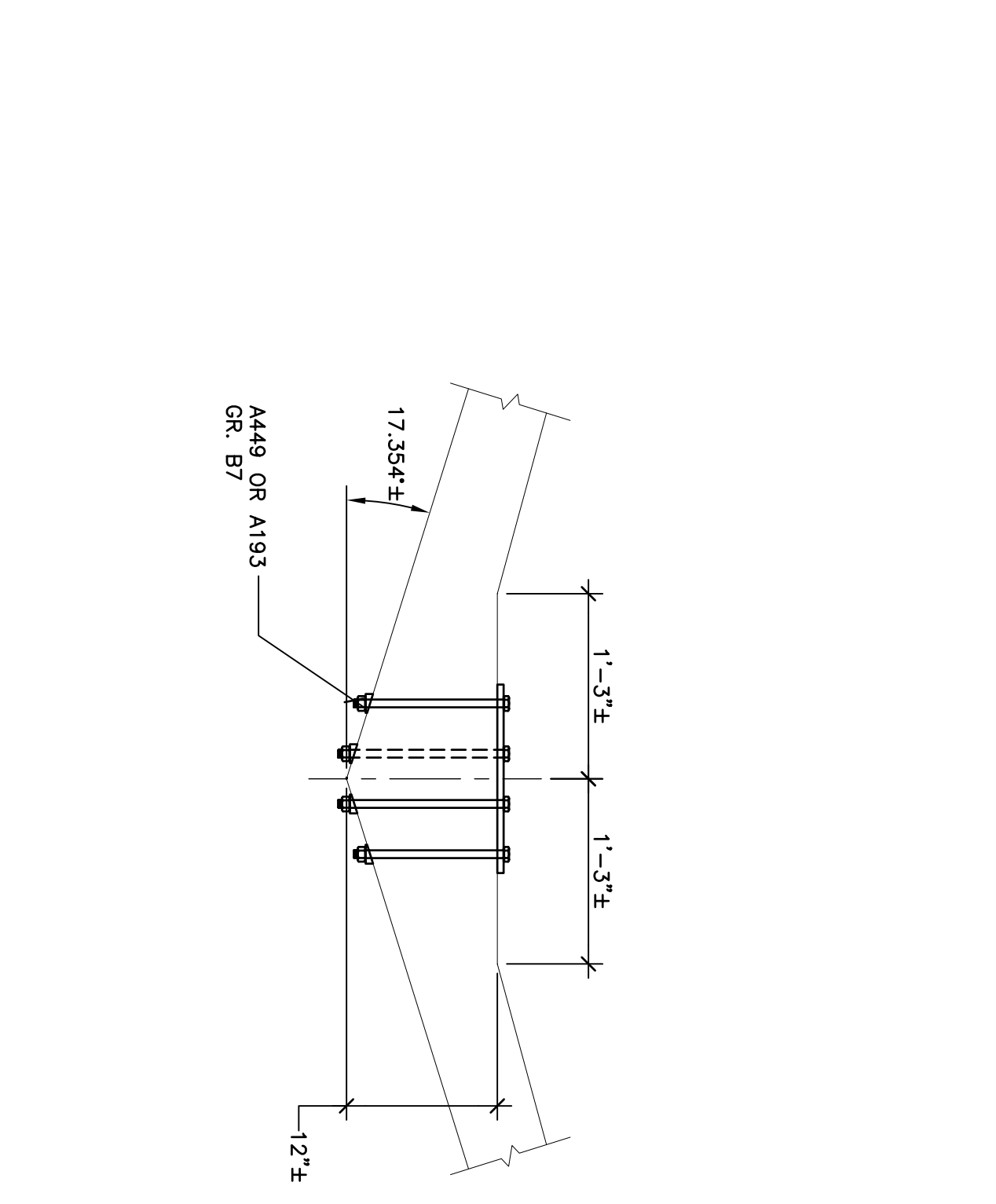
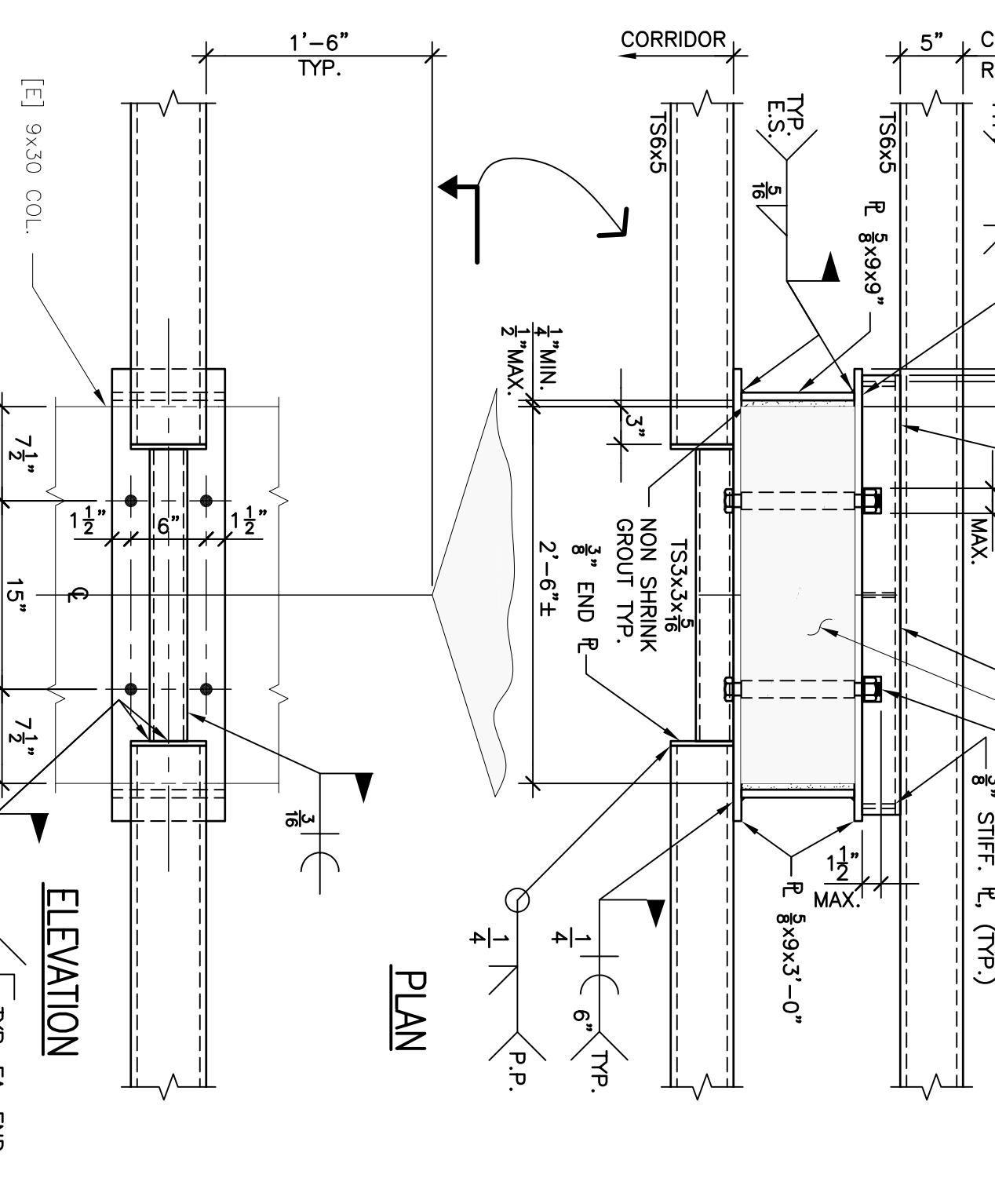
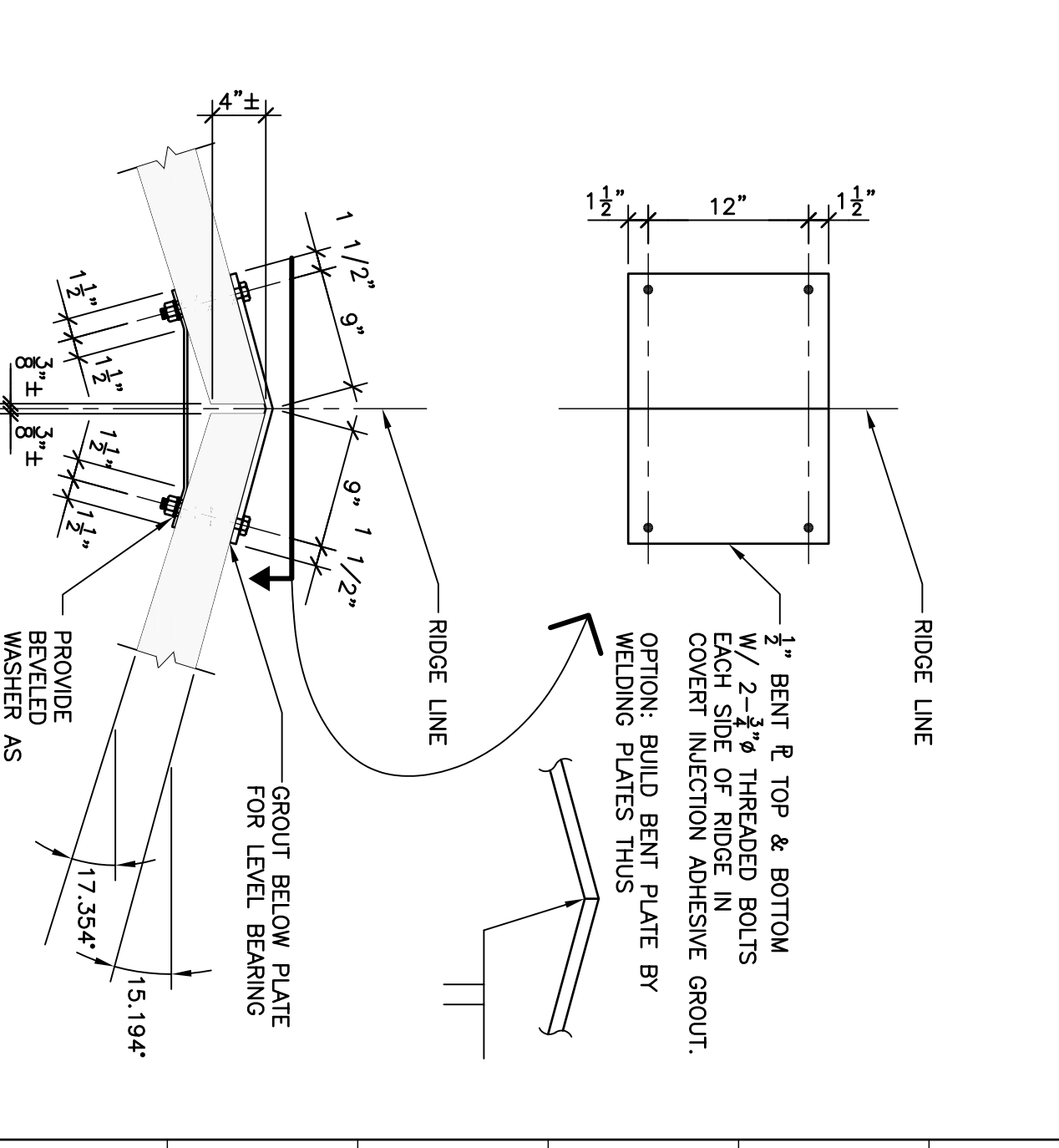
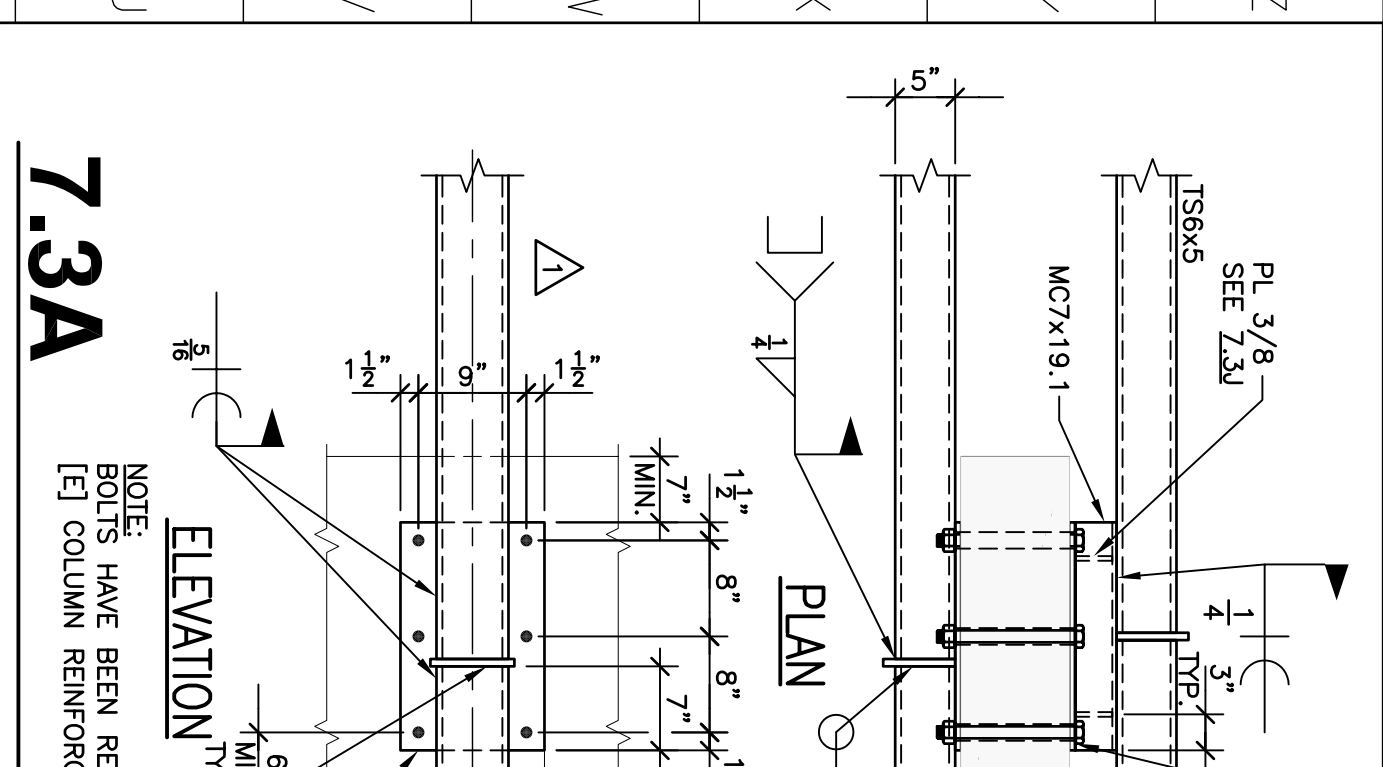
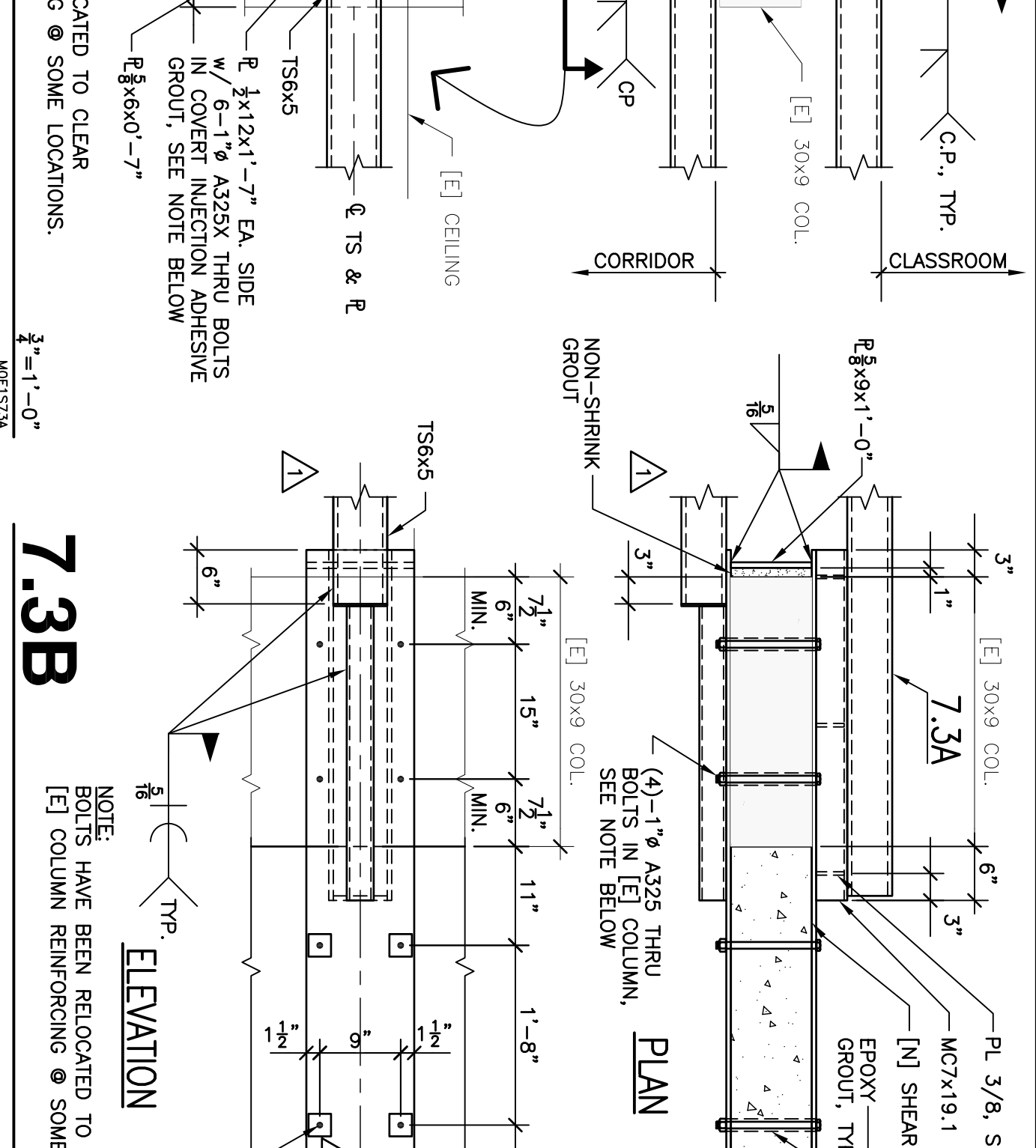
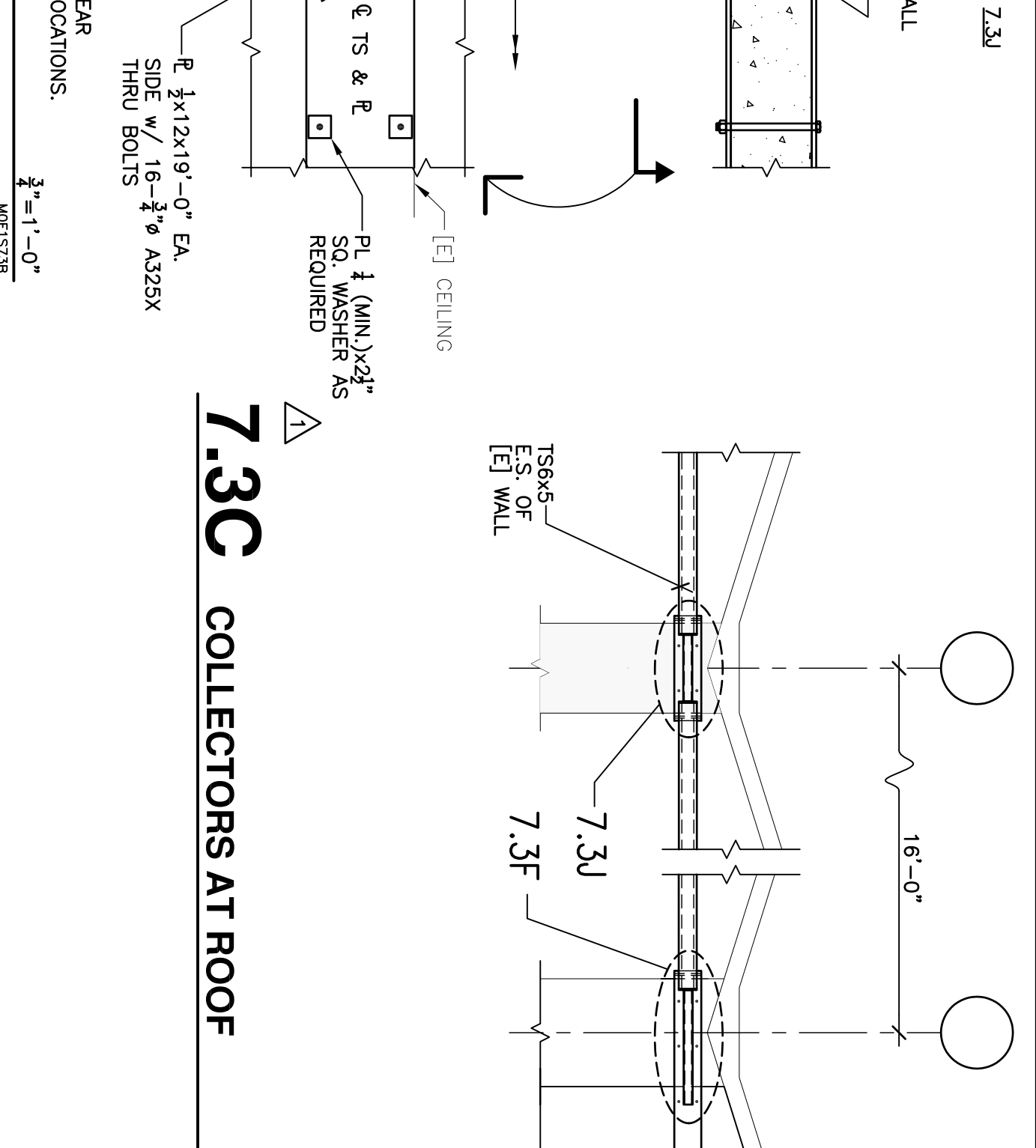
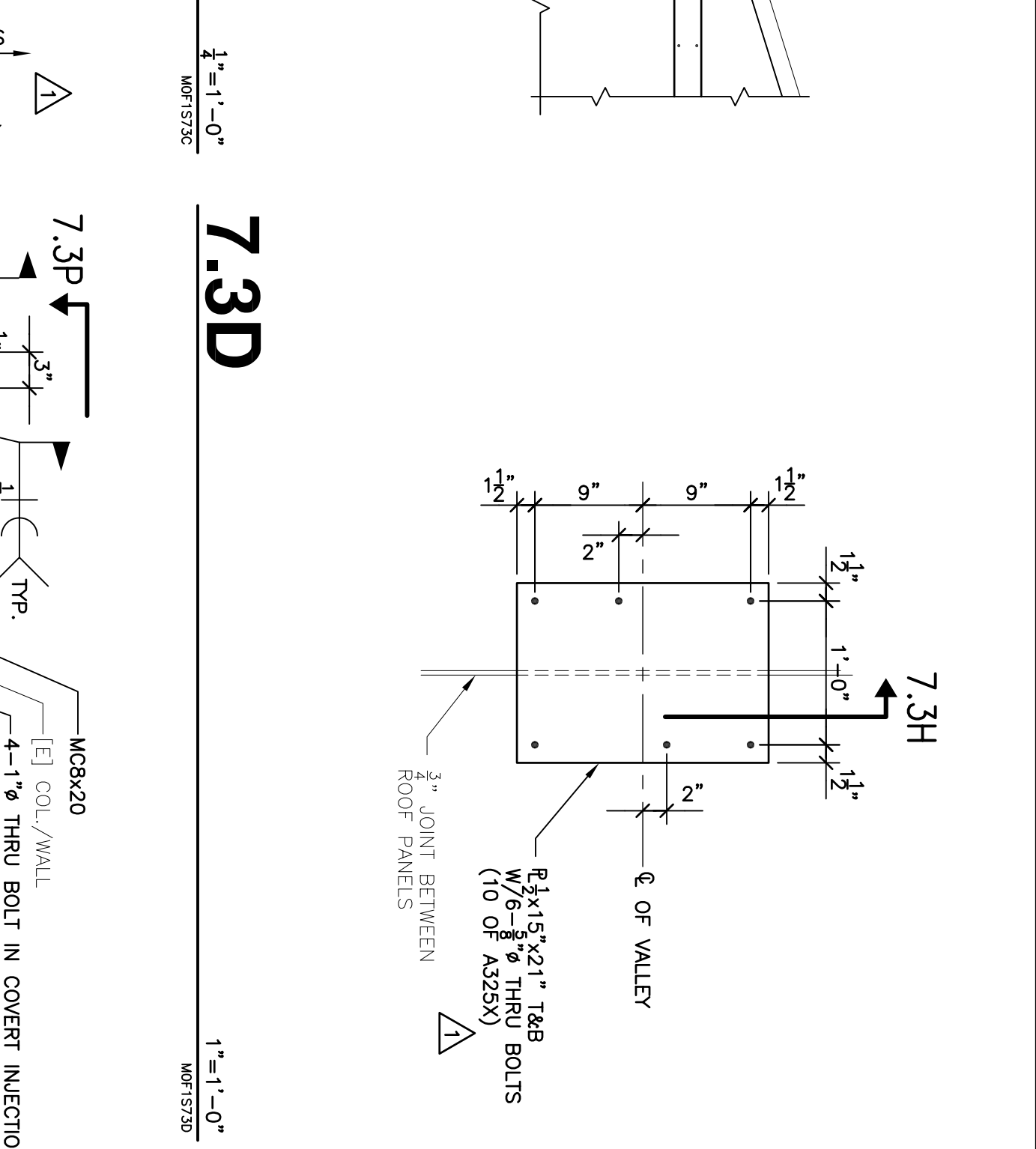
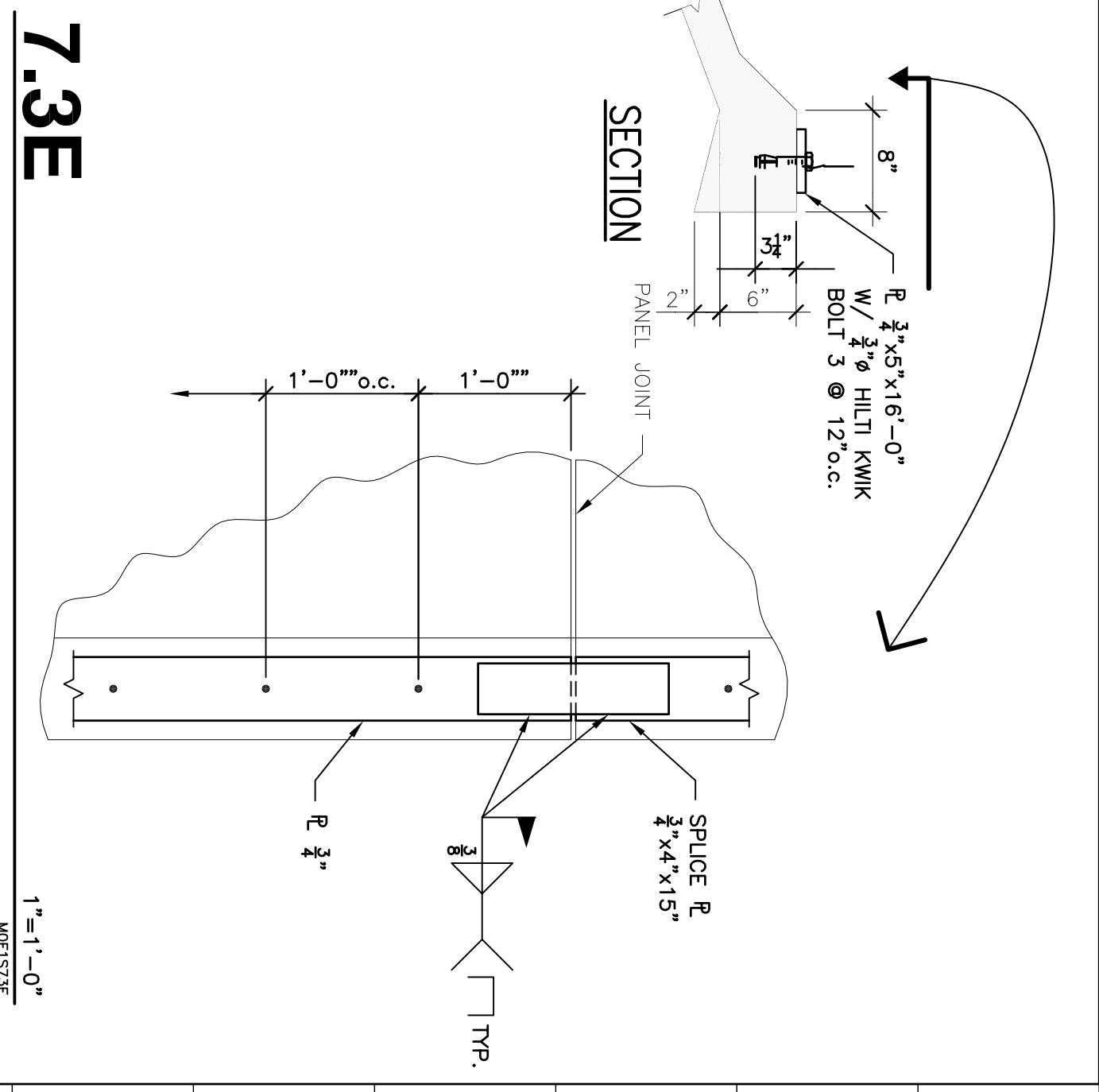
Rinne & Peterson
STRUCTURAL ENGINEERS
1511 San Antonio Road, Suite 200
Redwood City, CA 94061
Tel: 650 342 2000
Fax: 650 342 2001
http://www.rpne.com

INTERACTIVE
R E S O U R C E S
ARCHITECTURE-PLANNING-ENGINEERING
117 PARK PLACE
POINT RICHMOND
CALIFORNIA 94801
(910) 238-7435
(FAX) 232-5325
http://www.rtrve.com

**BUILDING 18
SEISMIC
REHABILITATION**
PROJECT:
SAN MATEO CO. COMMUNITY
COLLEGE DISTRICT
3401 CSM DRIVE
SAN MATEO, CA 94402

**STEEL
DETAILS**
SHEET TITLE:
IDENTIFICATION SYMBOL
DIVISION OF THE STATE ARCHITECT
APP. 01-104536
AD: RS
SS:

PROJ. NO. ASB003.41
DRAWN BY
DESIGNED BY
CHECKED BY
PEER REVIEW
SHEET NUMBER:
S7.3
NUMBER OF: 01



R & P JOB No. M0037.001
PRINCIPAL-IN-CHARGE PM
DRAWER No.
REMARKS:

1 2 3 4 5 6 7 8 9 10 11 12 13 14 15 16 17 18 19 20 21 22 23 24 25 26 27 28 29 30

A B C D E F G H J K L M N P Q R S T U V W X Y Z

6-11-02 8:35:12 am