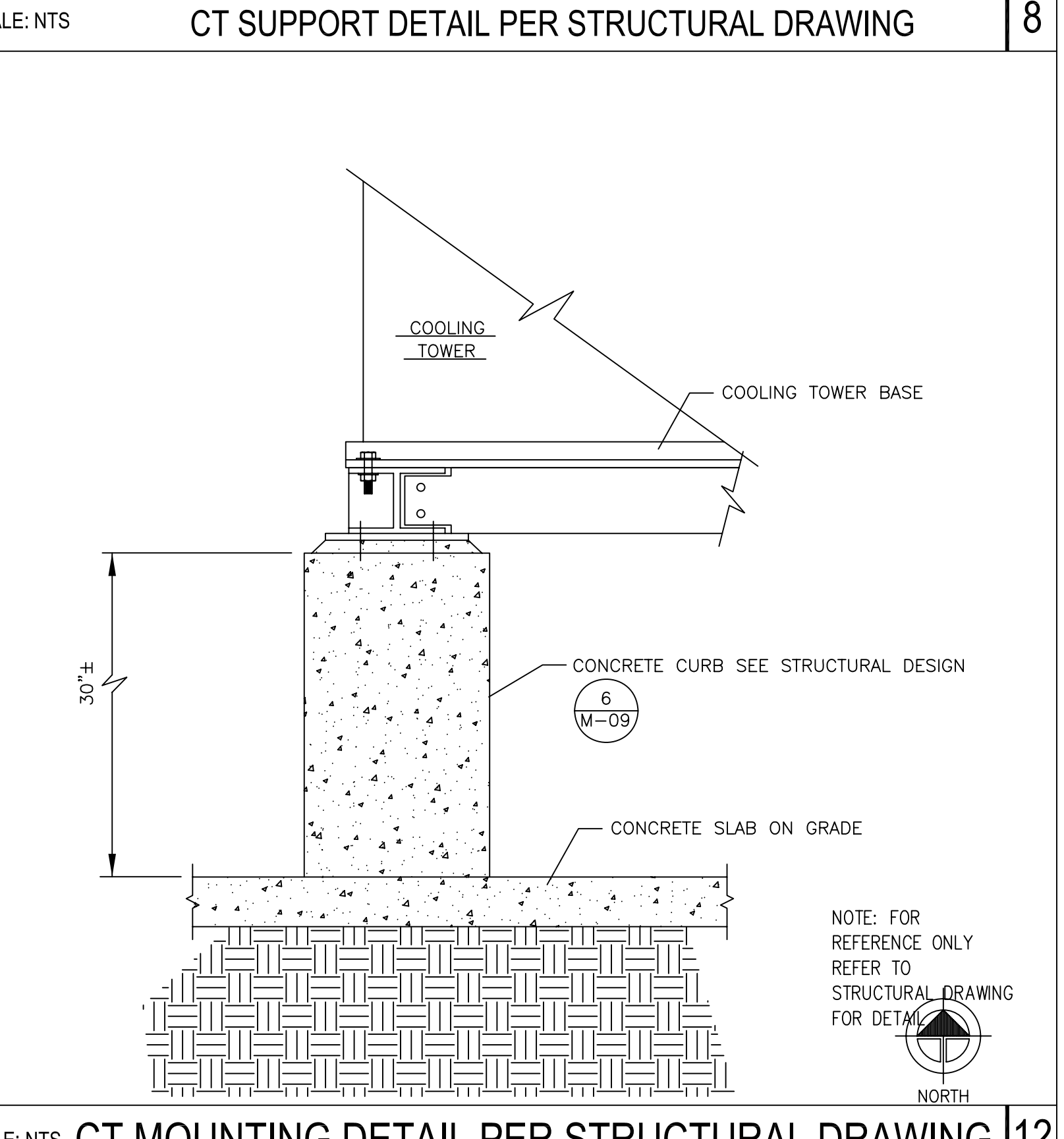
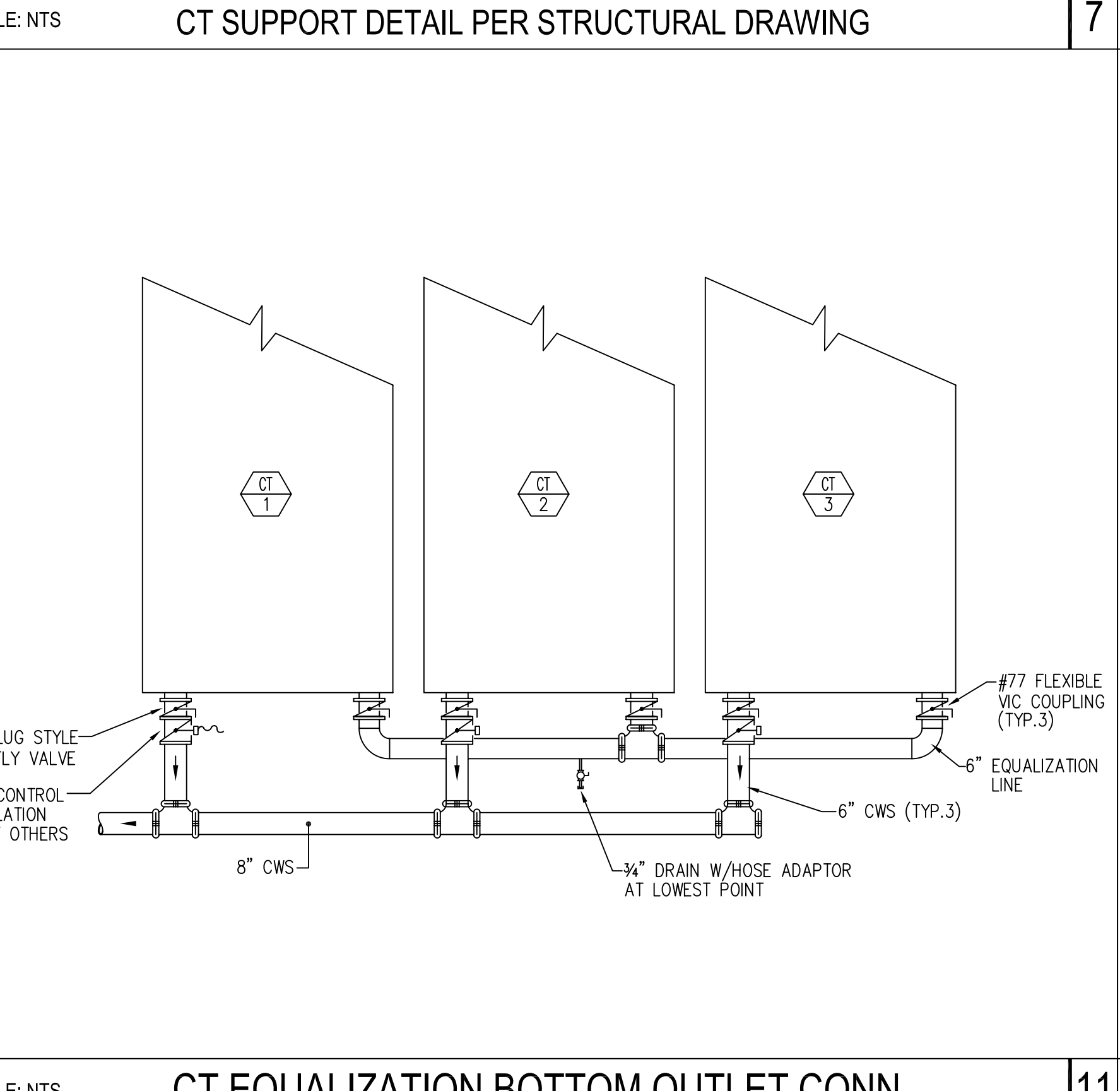
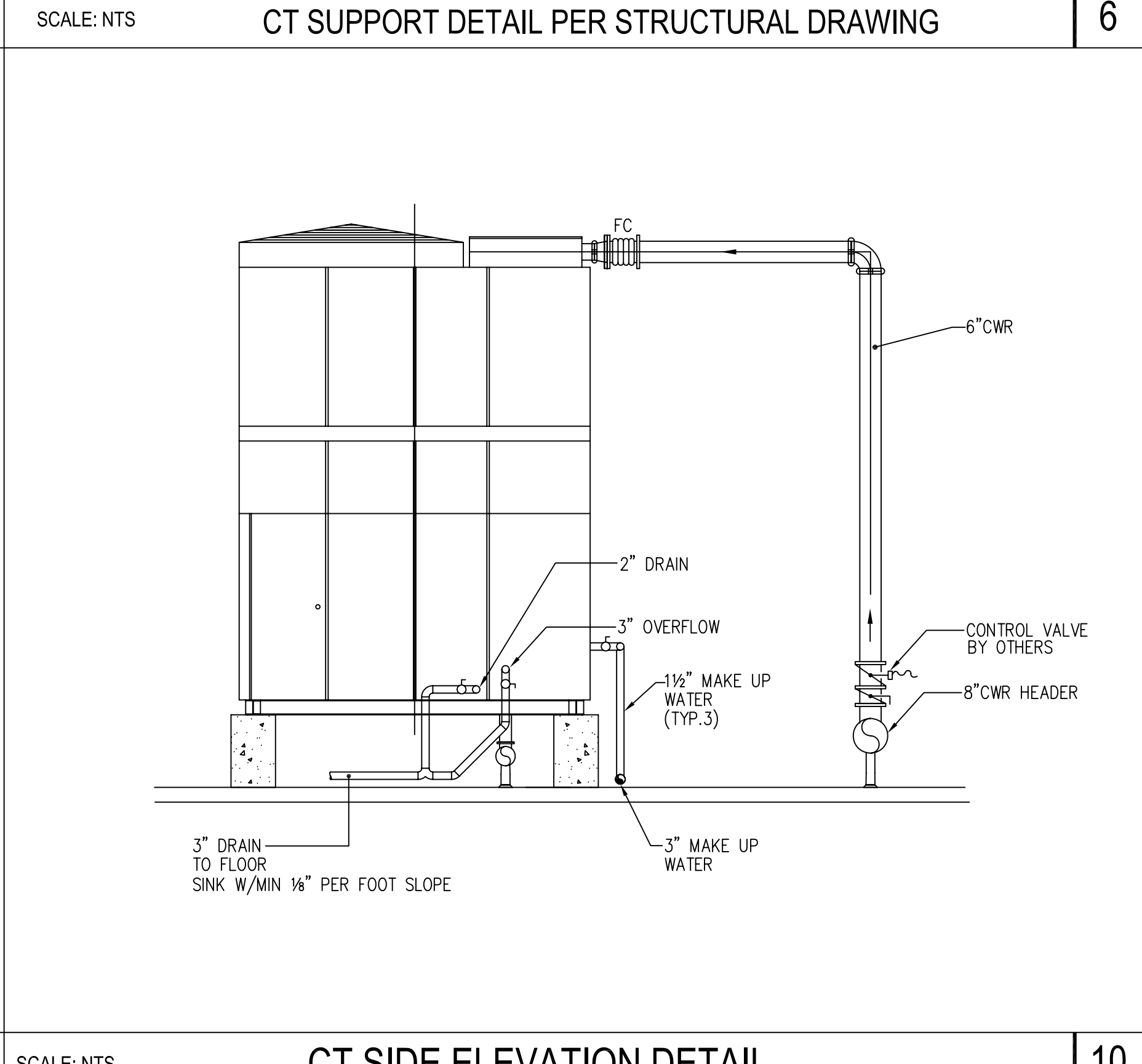
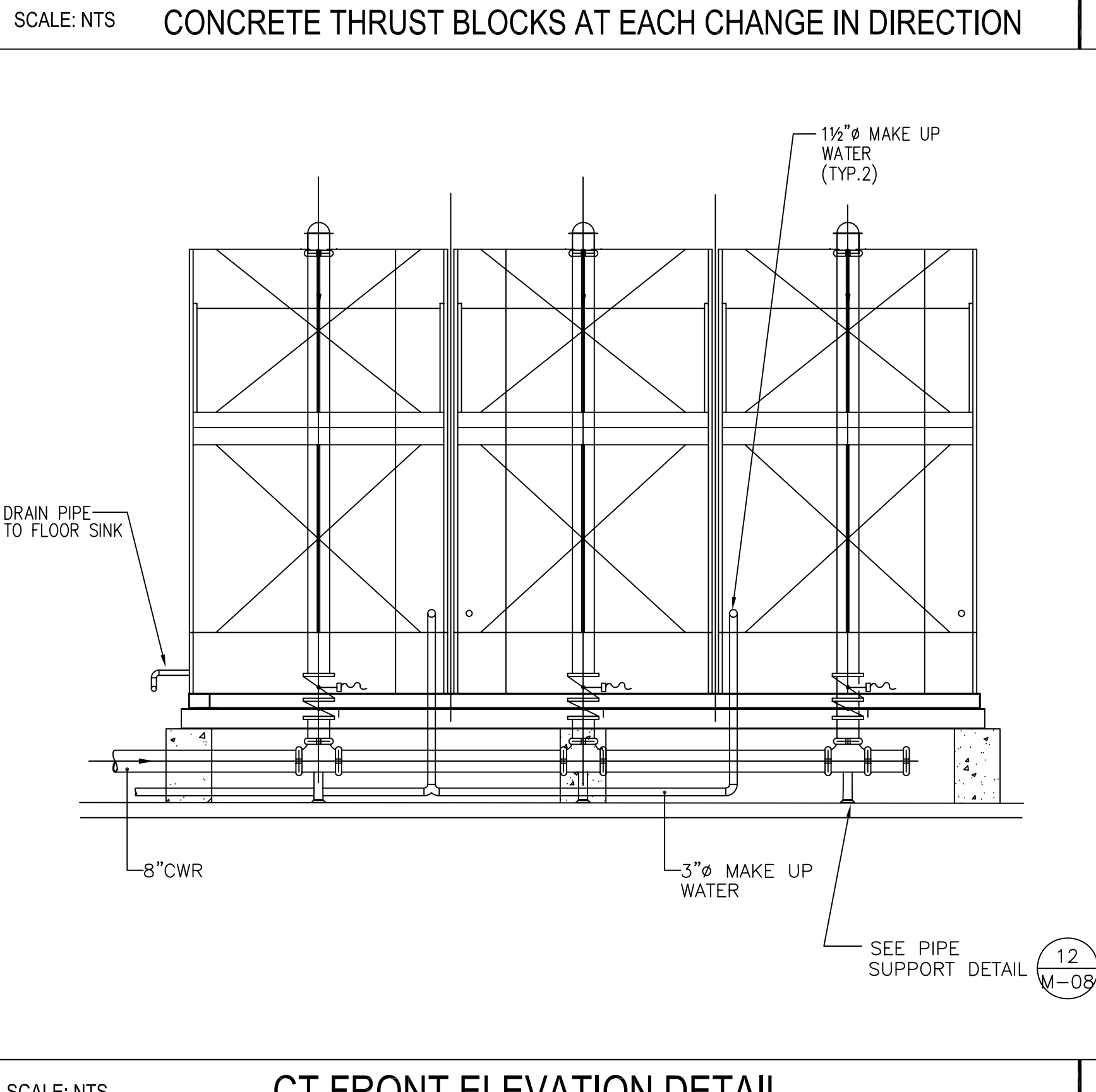
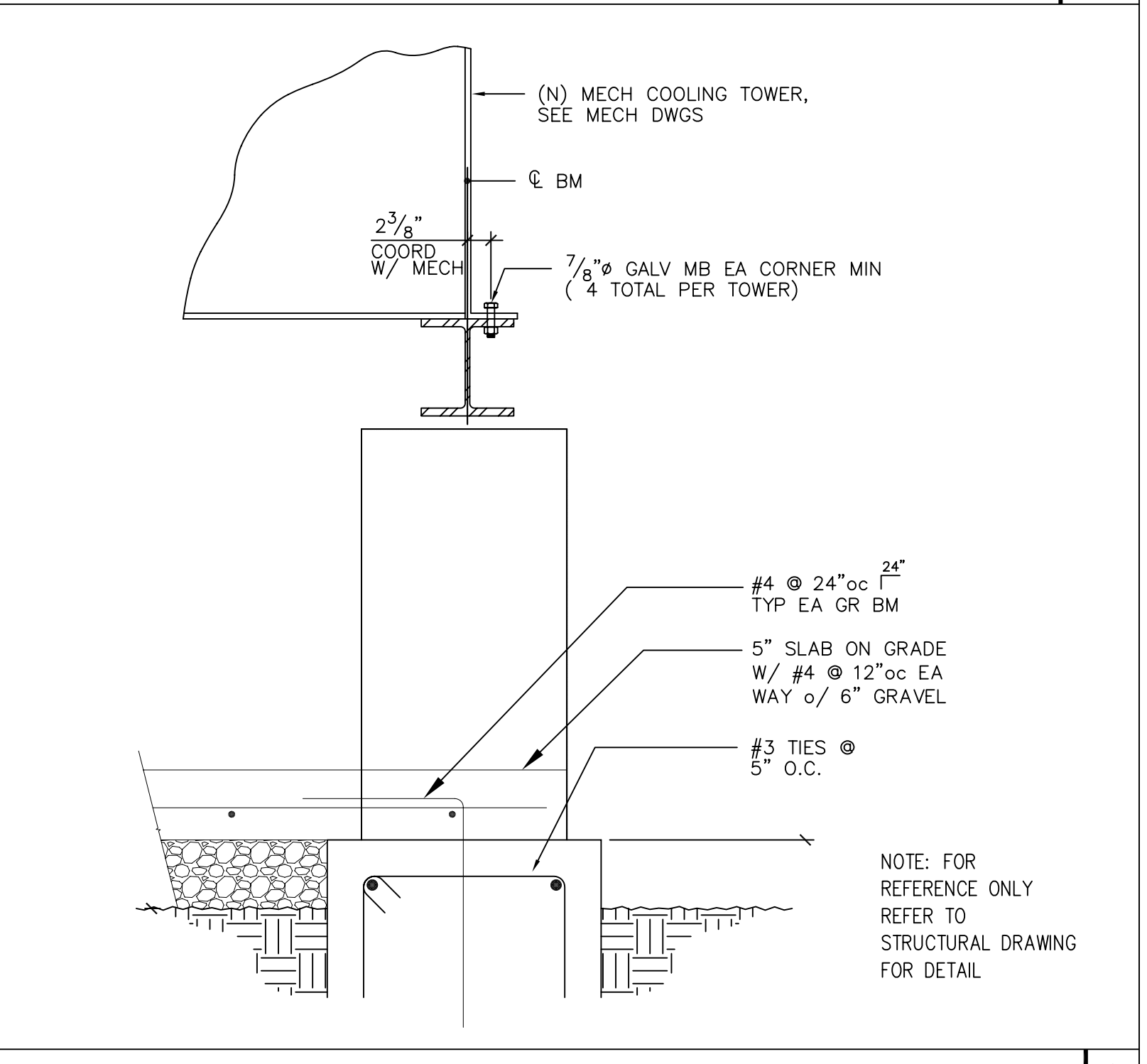
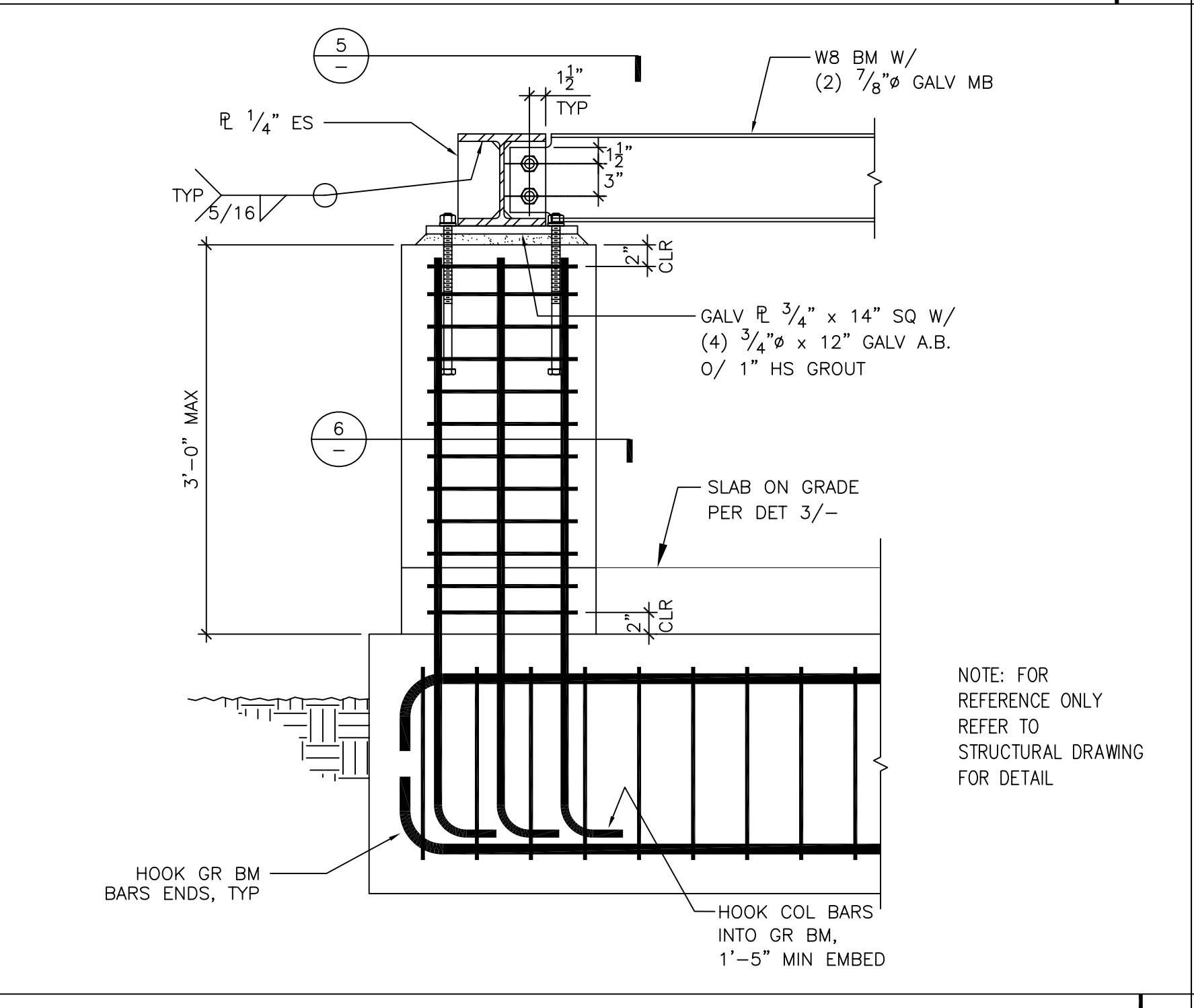
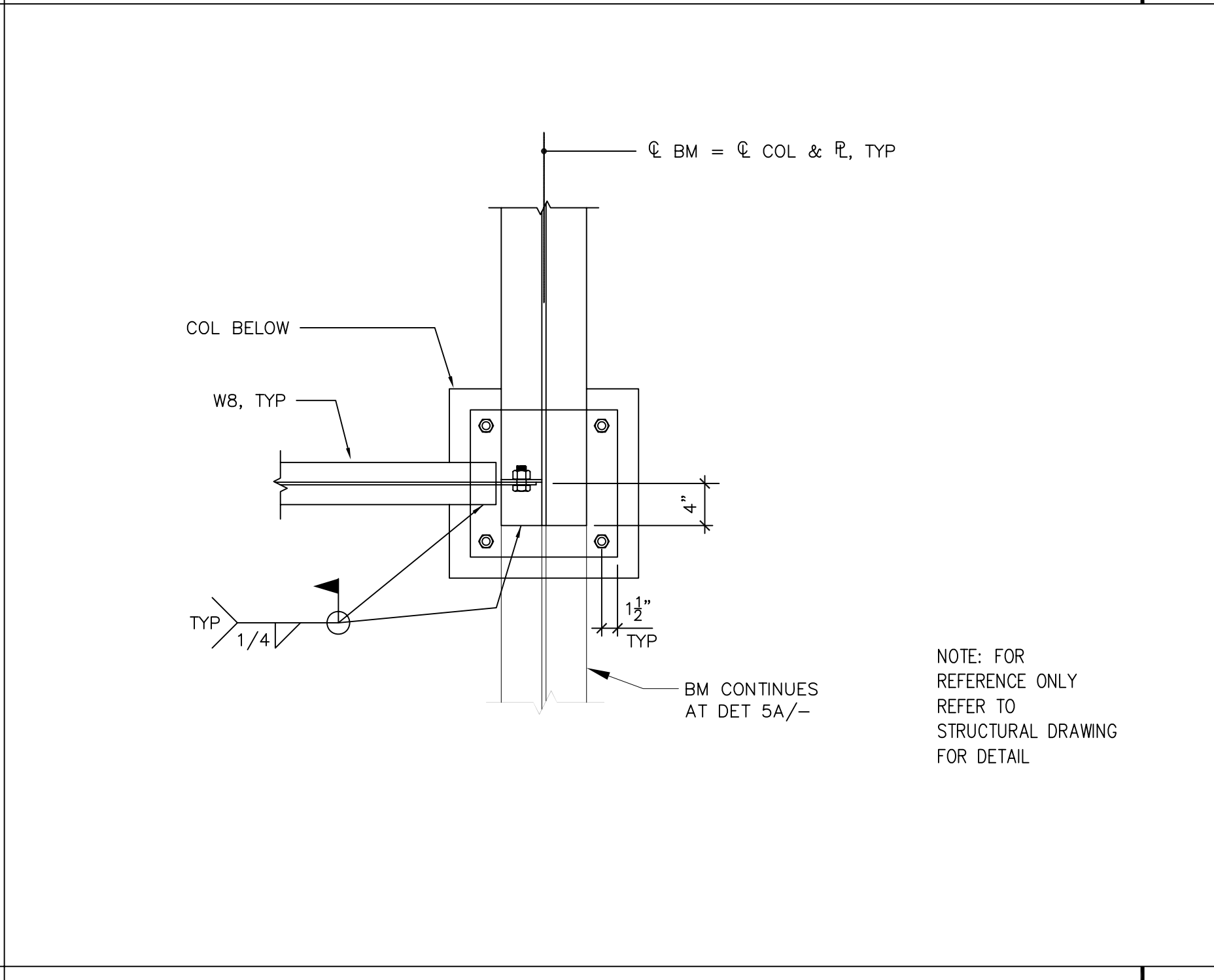
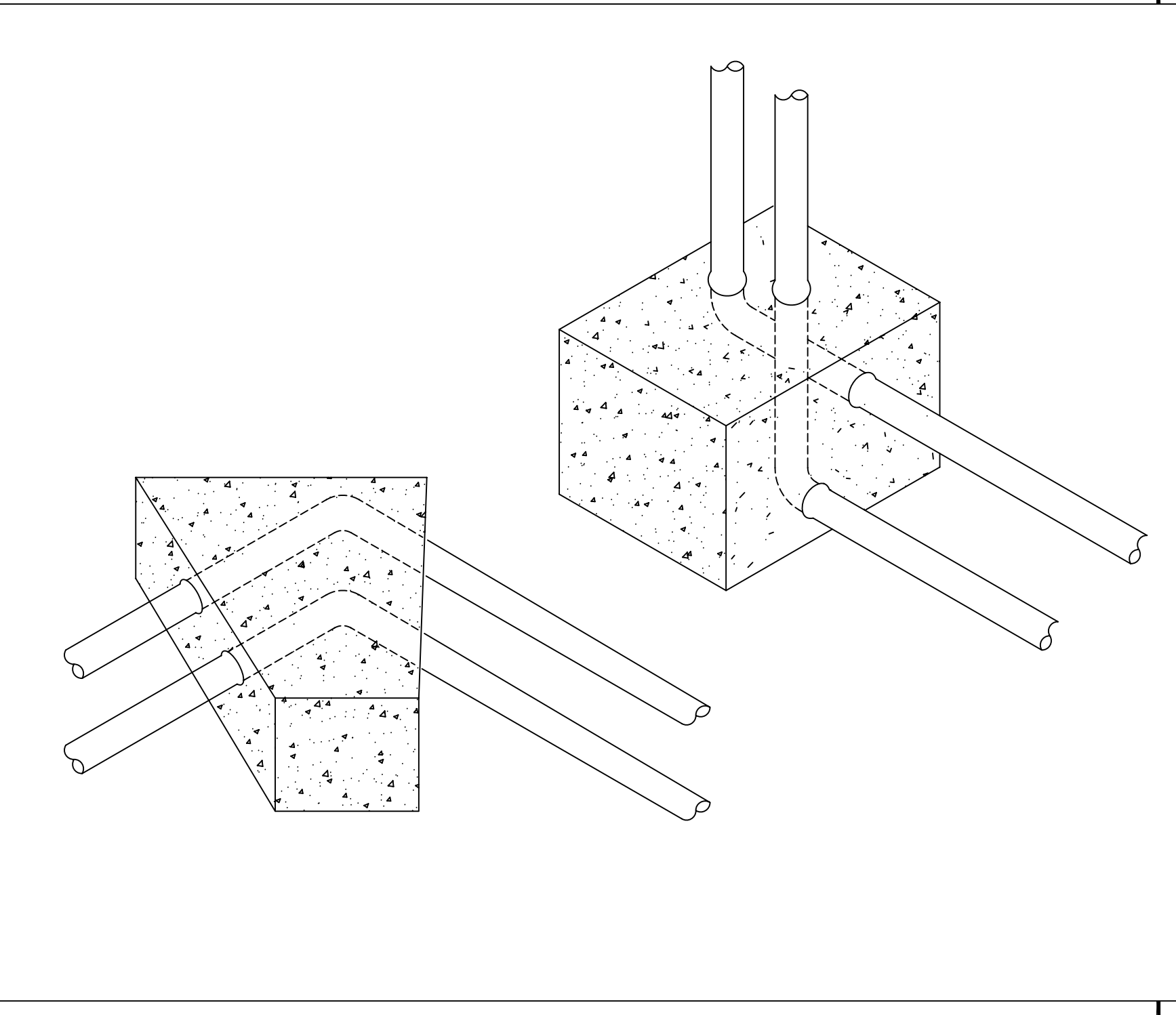


SCALE: NTS SECONDARY CHILLWATER PUMP (CHWP-3,4) 1

SCALE: NTS EXPANSION TANK MOUNTING PER STRUCTURAL DETAIL 2

SCALE: NTS AIR SEPARATOR DETAIL 3

SCALE: NTS HANGER DETAIL AND SUPPORT SCHEDULE 4



ChevronTexaco
Chevron Energy Solutions Company
A Division of Chevron U.S.A. Inc.

CMI
CENTRAL PLANT RENOVATION
San Mateo County Community College District

MECHANICAL DETAILS

SCALE: NTS
PROJECT NO.: 22524-008
DESIGNED BY:
DRAWN BY:
CHECKED BY:
DATE:
APP'D (ENGR):
APP'D (CIVIL):
DATE:

12
M-09