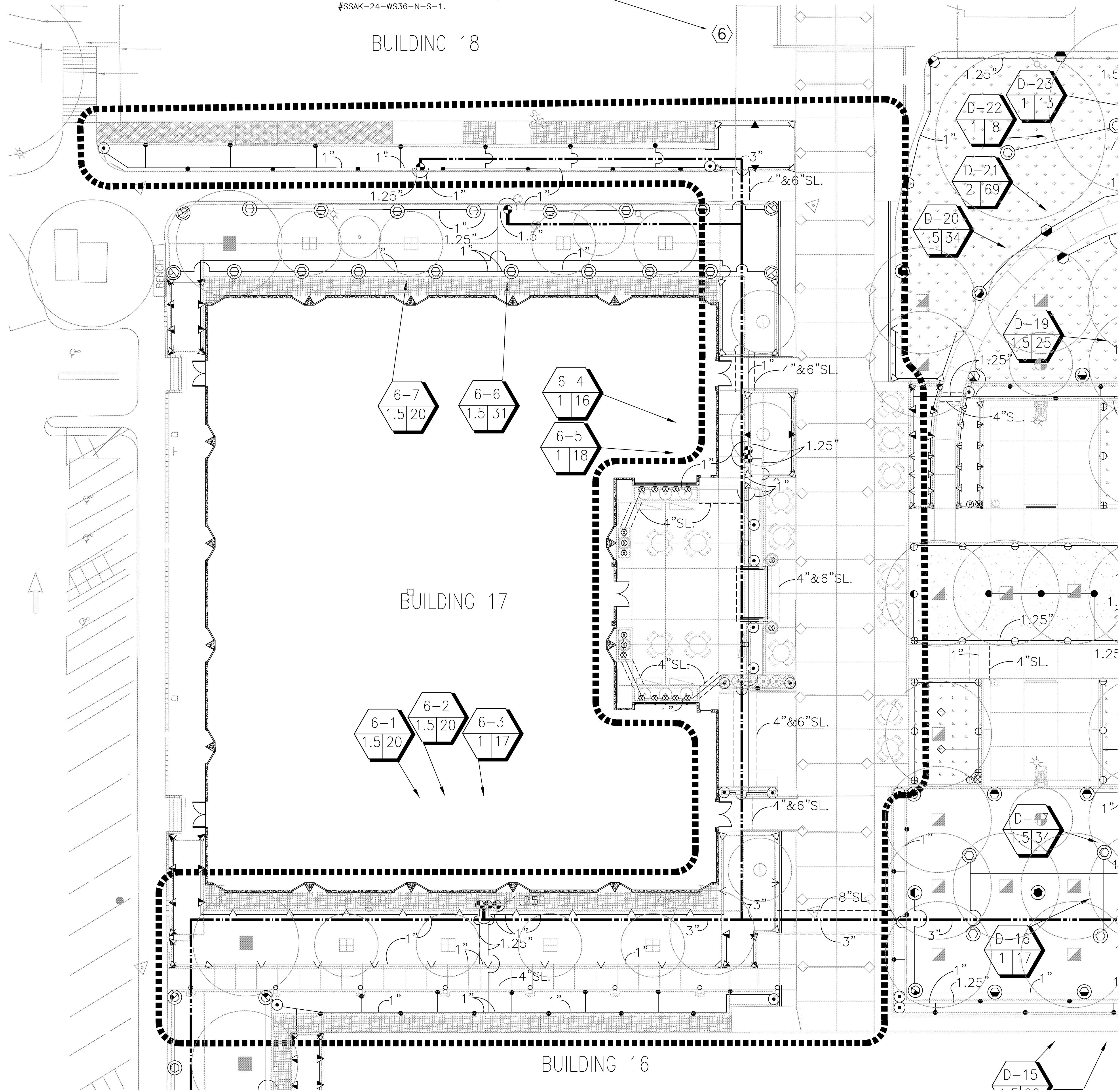


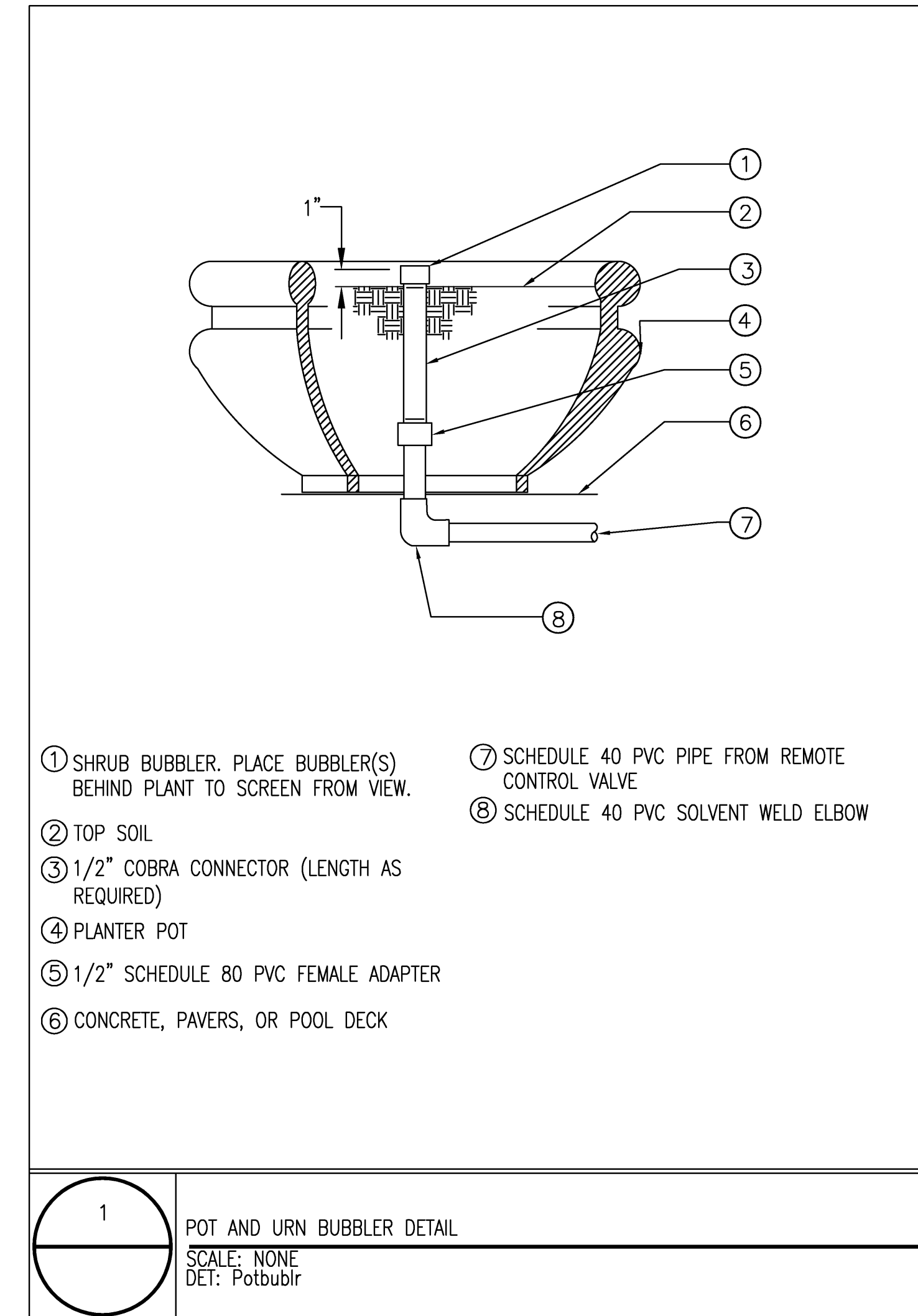
APPROXIMATE LOCATION OF EXISTING EXTERIOR MOUNTED IRRITROL IRRIGATION CONTROLLER. CONTROLLER TO BE UPGRADED TO A EXTERIOR WALL MOUNTED TORO SENTINEL CONTROLLER, PART #SSAK-24-WS36-N-S-1.



NOTES:

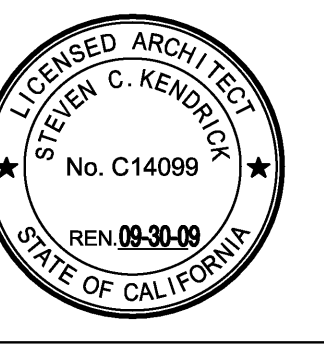
- IRRIGATION EQUIPMENT MAY BE SHOWN WITHIN HARDSCAPE FOR GRAPHIC CLARITY ONLY. INSTALL ALL IRRIGATION EQUIPMENT WITHIN PLANTED AREAS. IRRIGATION PIPE AND WIRE CROSSING BENEATH HARDSCAPE SURFACES SHALL BE CONTAINED WITHIN SLEEVING OR SCHEDULE 40 PVC CONDUIT. SLEEVING SIZE SHALL BE A MINIMUM OF TWO TIMES THE AGGREGATE DIAMETER OF ALL PIPES CONTAINED WITHIN SLEEVE. PROVIDE VERTICAL SWEEP FOR ALL ELECTRICAL CONDUIT ON EACH SIDE OF HARDSCAPE AND TERMINATE ENDS AT 12" MINIMUM DEPTH AND 12" FROM HARDSCAPE SURFACE.
- UNSIZE LATERAL LINE PIPING LOCATED DOWN STREAM OF 1" PIPING SHALL BE 3/4" IN SIZE (TYPICAL).
- SIZING OF LATERAL PIPE SHALL BE AS FOLLOWS:

.75"	0-6 GPM
1"	7-12 GPM
1.25"	13-20 GPM
1.5"	21-32 GPM
2"	33-50 GPM
2.5"	51-70 GPM
3"	71-120 GPM



- ① SHRUB BUBBLER. PLACE BUBBLER(S) BEHIND PLANT TO SCREEN FROM VIEW.
- ② TOP SOIL
- ③ 1/2" COBRA CONNECTOR (LENGTH AS REQUIRED)
- ④ PLANTER POT
- ⑤ 1/2" SCHEDULE 80 PVC FEMALE ADAPTER
- ⑥ CONCRETE, PAVERS, OR POOL DECK
- ⑦ SCHEDULE 40 PVC PIPE FROM REMOTE CONTROL VALVE
- ⑧ SCHEDULE 40 PVC SOLVENT WELD ELBOW

1 POT AND URN BUBBLER DETAIL
SCALE: NONE
DET: Potbublr



IDENTIFICATION STAMP
DIV. OF THE STATE ARCHITECT
OFFICE OF REGULATION SERVICE
APPL. # 01-110097
AC: _____ FLS: _____ SS: _____
DATE: _____
FILE NUMBER: _____

This and all other project documents and all ideas, methods and designs incorporated herein are the property of LPA, Inc. LPA, Inc. and its affiliates shall be held harmless in any and all ways for any claims, damages, losses, expenses, costs, or other liabilities, including reasonable attorneys' fees, arising from the use of any project documents or drawings, whether or not such claims, damages, losses, expenses, costs, or other liabilities are caused in whole or in part by the negligence or malpractice of LPA, Inc. or its affiliates. LPA, Inc. and its affiliates shall not be held liable for any claims, damages, losses, expenses, costs, or other liabilities arising from the use of any project documents or drawings, whether or not such claims, damages, losses, expenses, costs, or other liabilities are caused in whole or in part by the negligence or malpractice of LPA, Inc. or its affiliates. LPA, Inc. and its affiliates shall not be held liable for any claims, damages, losses, expenses, costs, or other liabilities arising from the use of any project documents or drawings, whether or not such claims, damages, losses, expenses, costs, or other liabilities are caused in whole or in part by the negligence or malpractice of LPA, Inc. or its affiliates.

College of San Mateo
Site Package - Courtyard 17
San Mateo, CA
Developed for
San Mateo County Community College District

Revision	Description	Date

Revision	Description	Date

Job No.	27082.30
Date	09 APRIL 2009
Drawn by	LC
Checked by	SM
Scale	1"=10'-0"