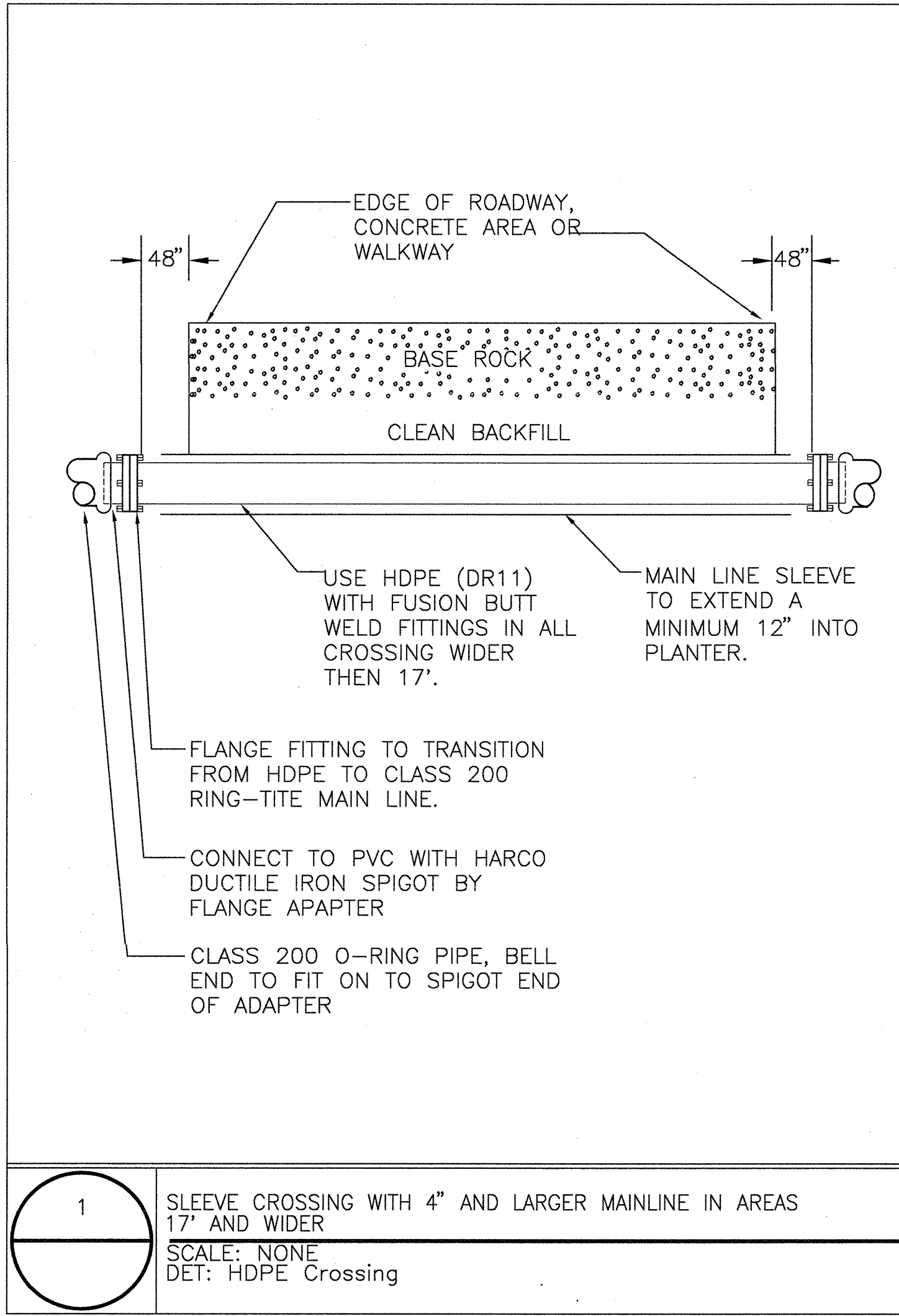
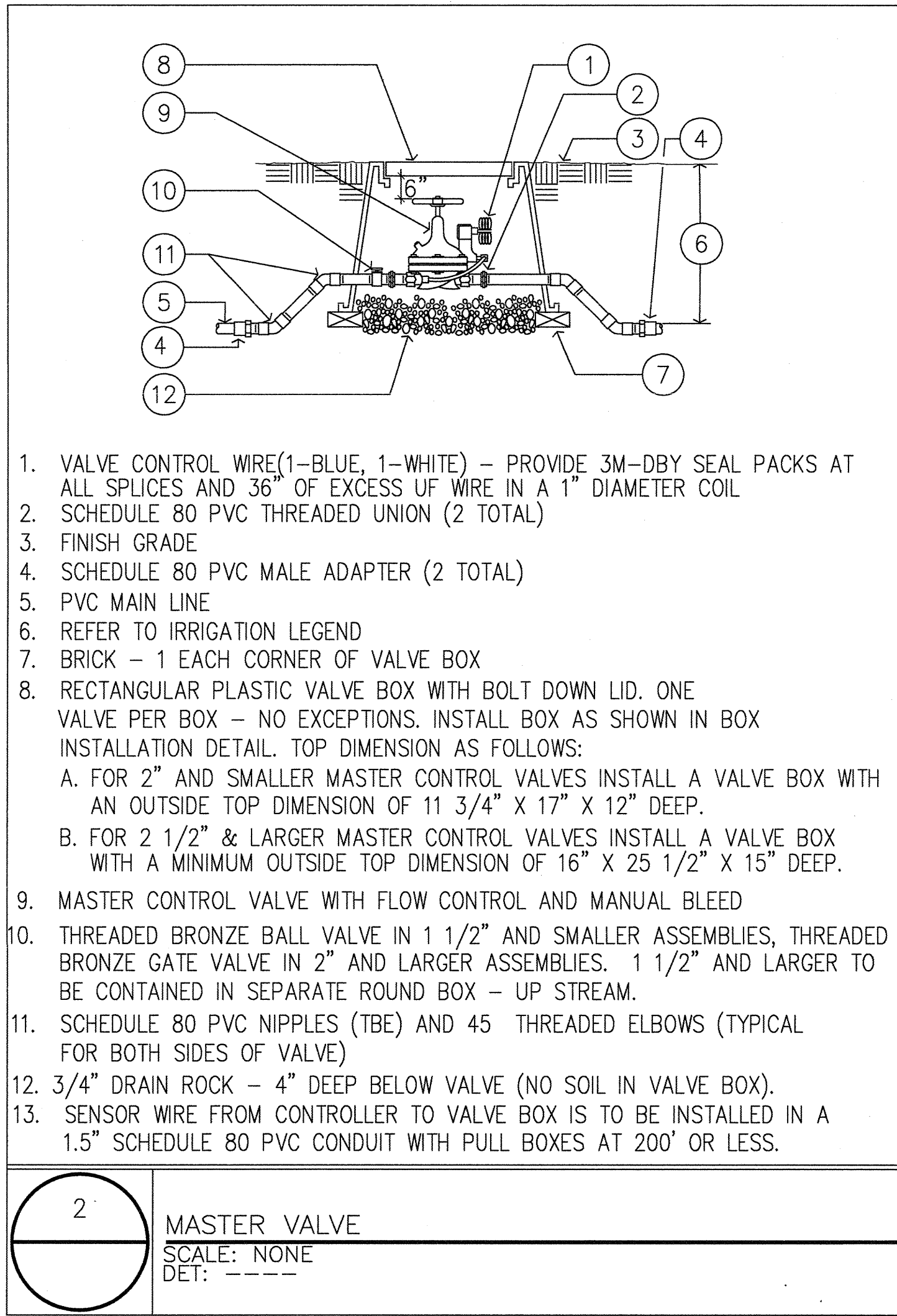


IDENTIFICATION STAMP
DIV. OF THE STATE ARCHITECT
OFFICE OF REGULATION SERVICE
APPL. # 01-110097
AC: J. FL: SD. SS: H.L.
DATE: APR 09 2009
FILE NUMBER:
This and all other project documents and all lines, conditions and design hereon shall remain the property of LPA, Inc. (LPA) and shall be used only for the project and site for which they were prepared. No part of this project or any portion thereof shall be reproduced, stored in a retrieval system, or transmitted in any form or by any means, electronic, mechanical, photocopying, recording, or by any information storage and retrieval system, without the prior written consent of LPA, Inc. LPA, Inc. shall not be held responsible for any errors or omissions in this document. LPA, Inc. shall not be held responsible for any damages or losses resulting from the use of this document.

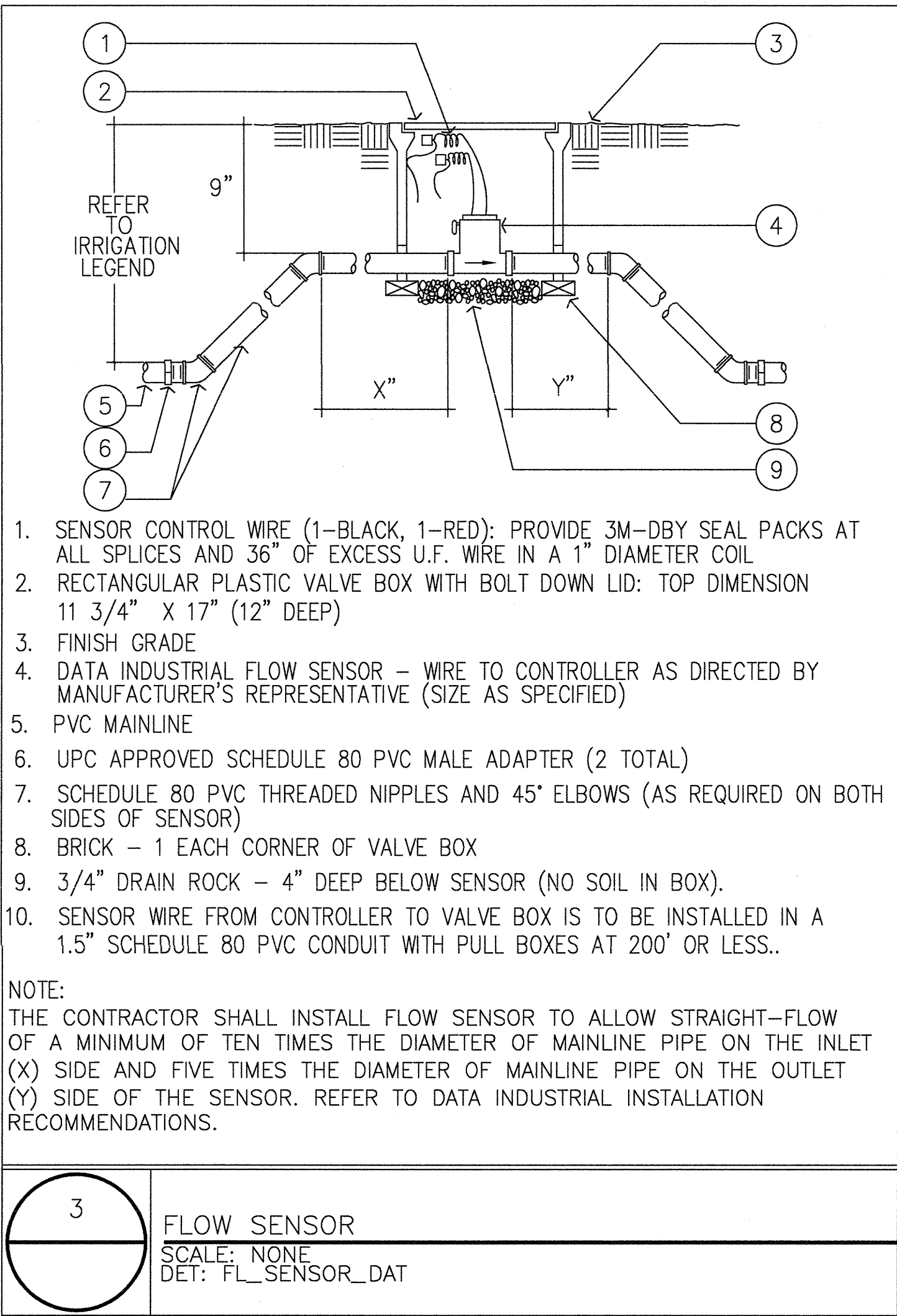
© Copyright 2008



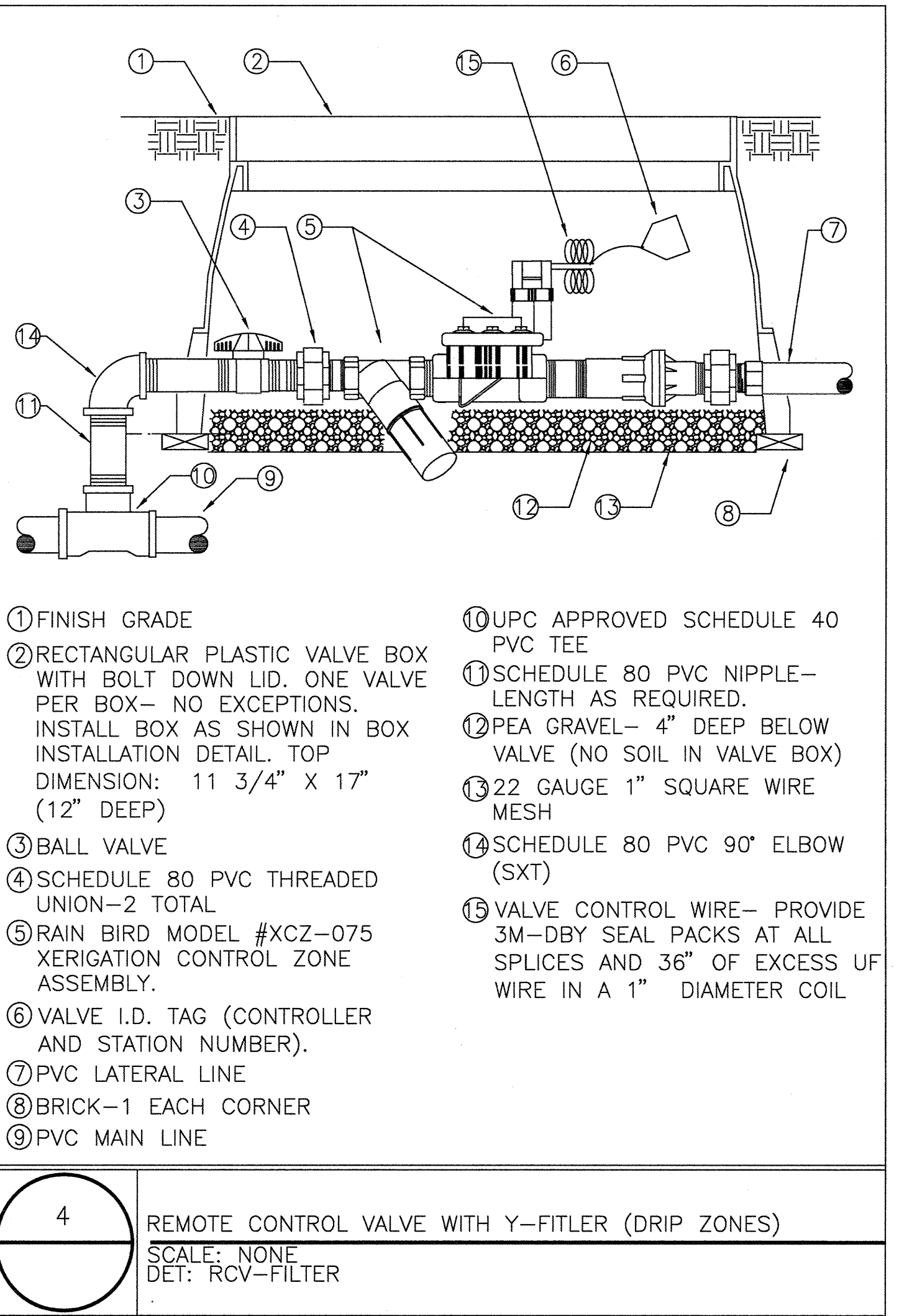
1 SLEEVE CROSSING WITH 4" AND LARGER MAINLINE IN AREAS 17" AND WIDER
SCALE: NONE
DET: HDPE Crossing



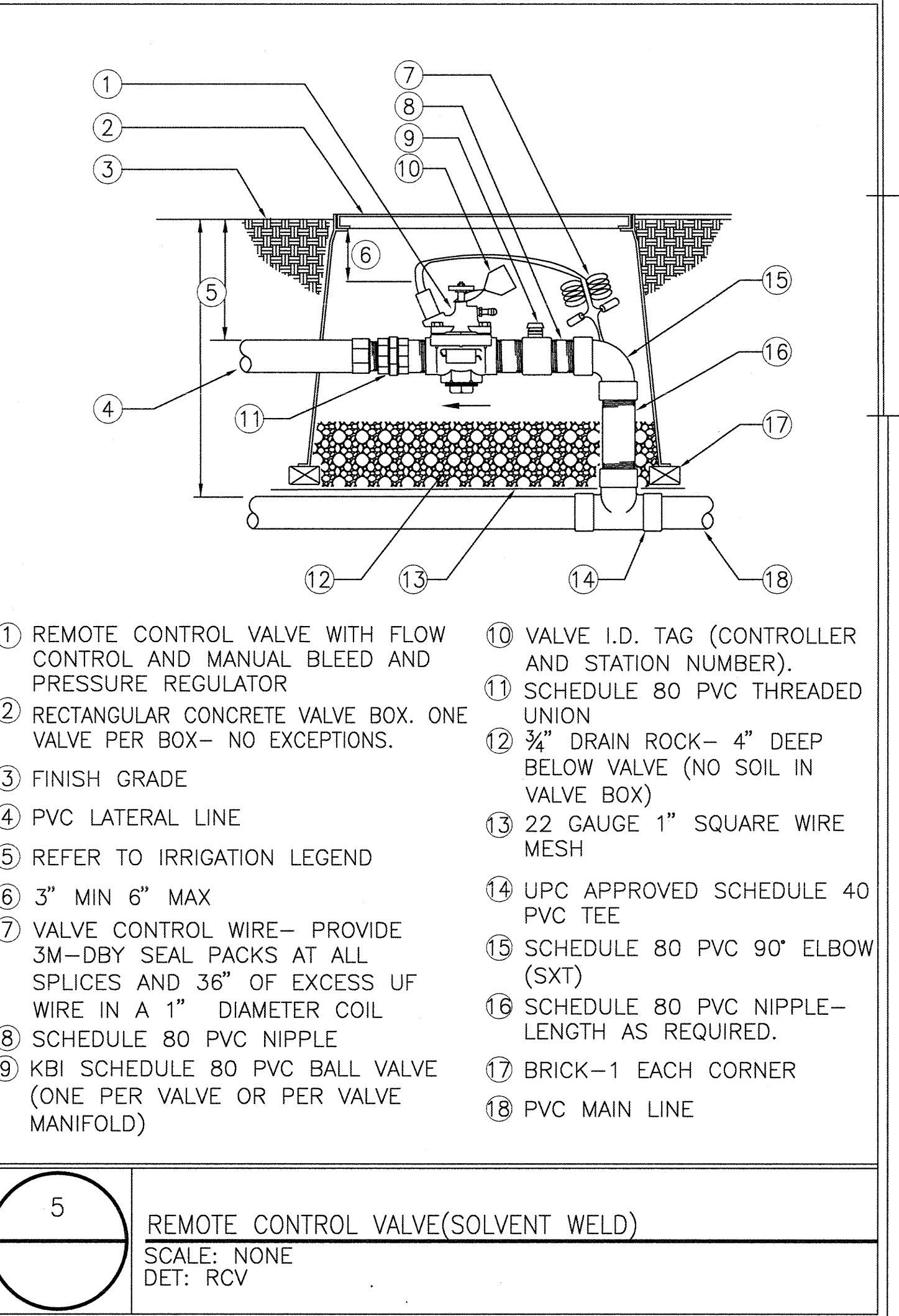
2 MASTER VALVE
SCALE: NONE
DET: ---



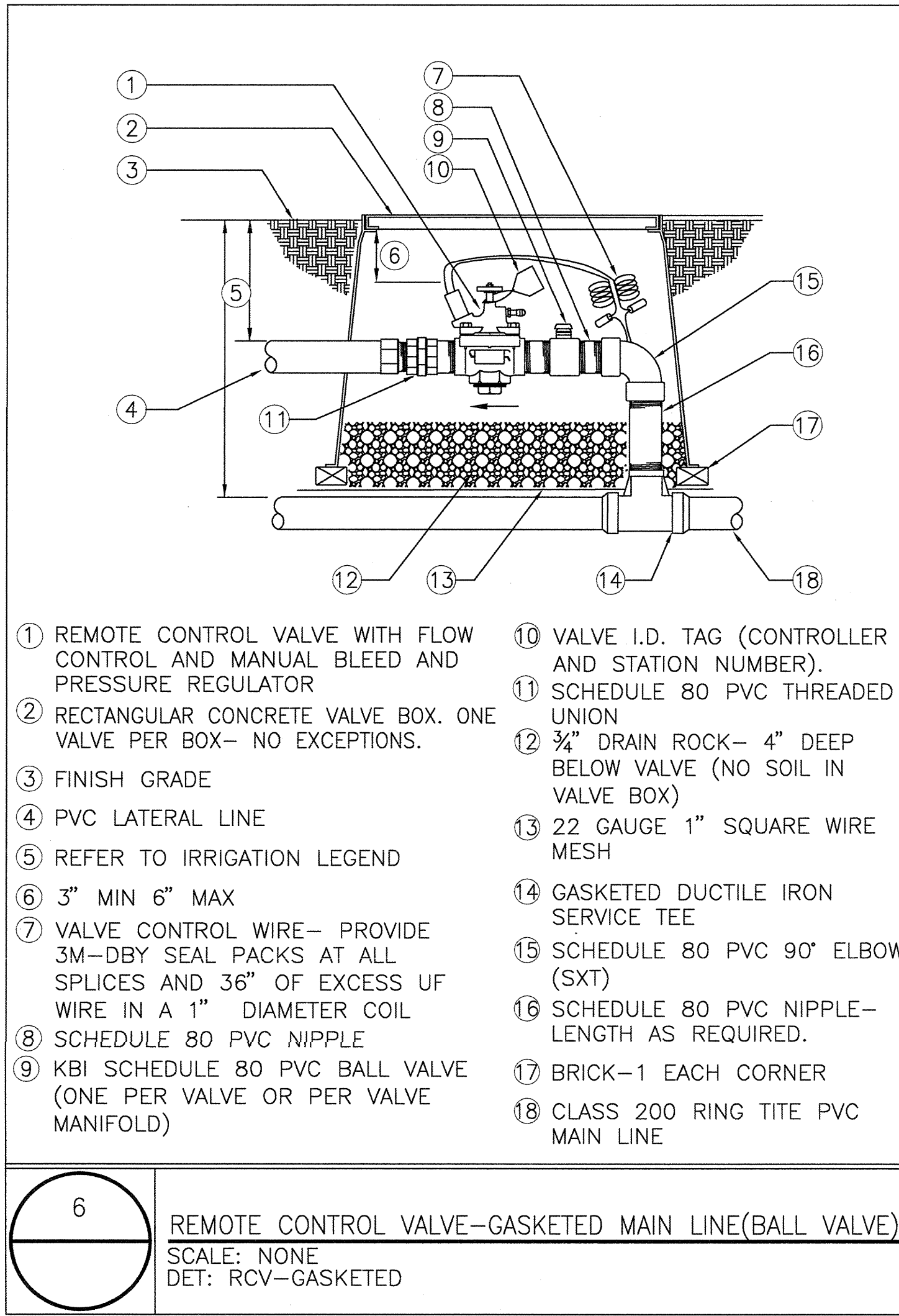
3 FLOW SENSOR
SCALE: NONE
DET: FL_SENSOR_DAT



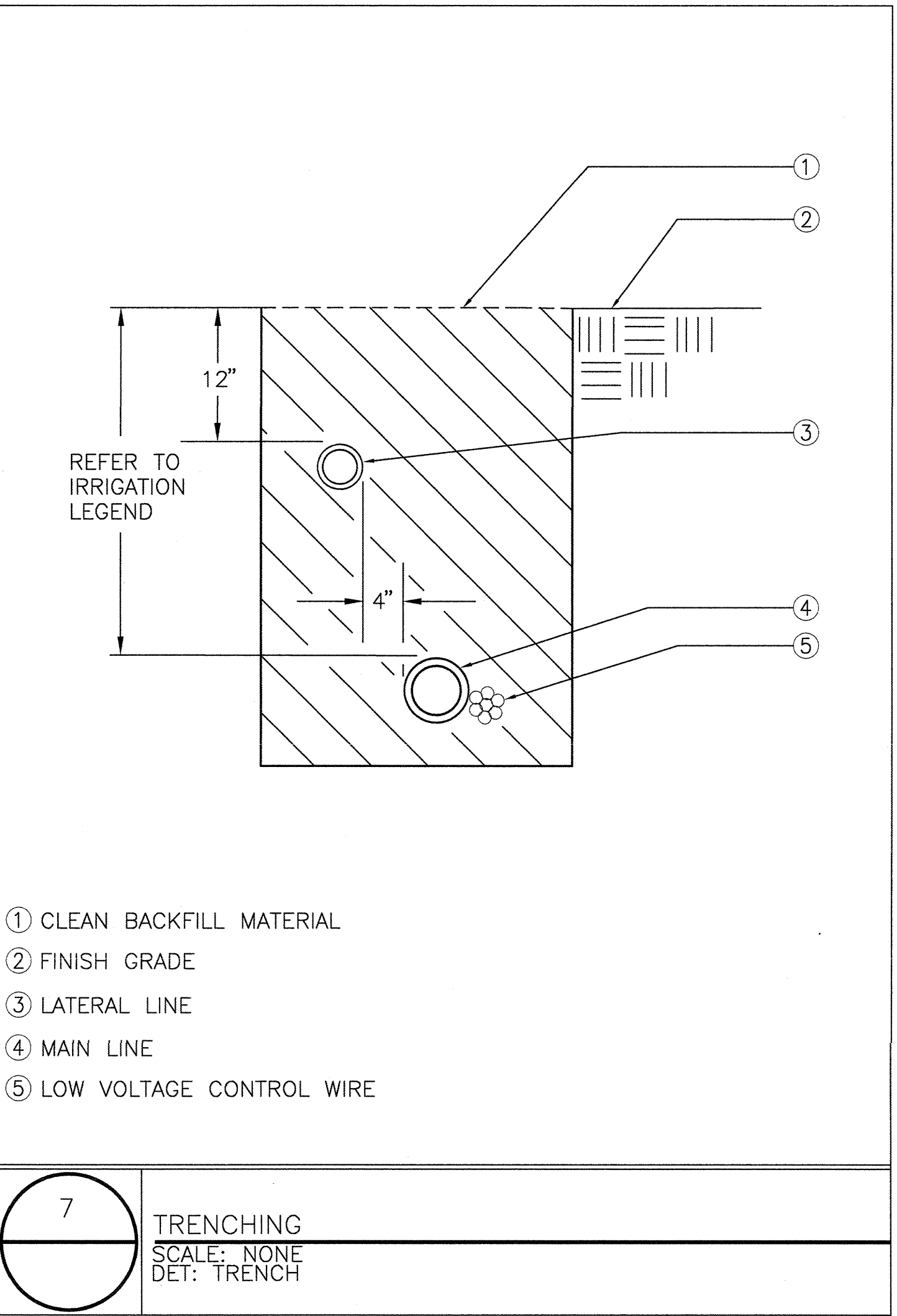
4 REMOTE CONTROL VALVE WITH Y-FILTER (DRIP ZONES)
SCALE: NONE
DET: RCV-FILTER



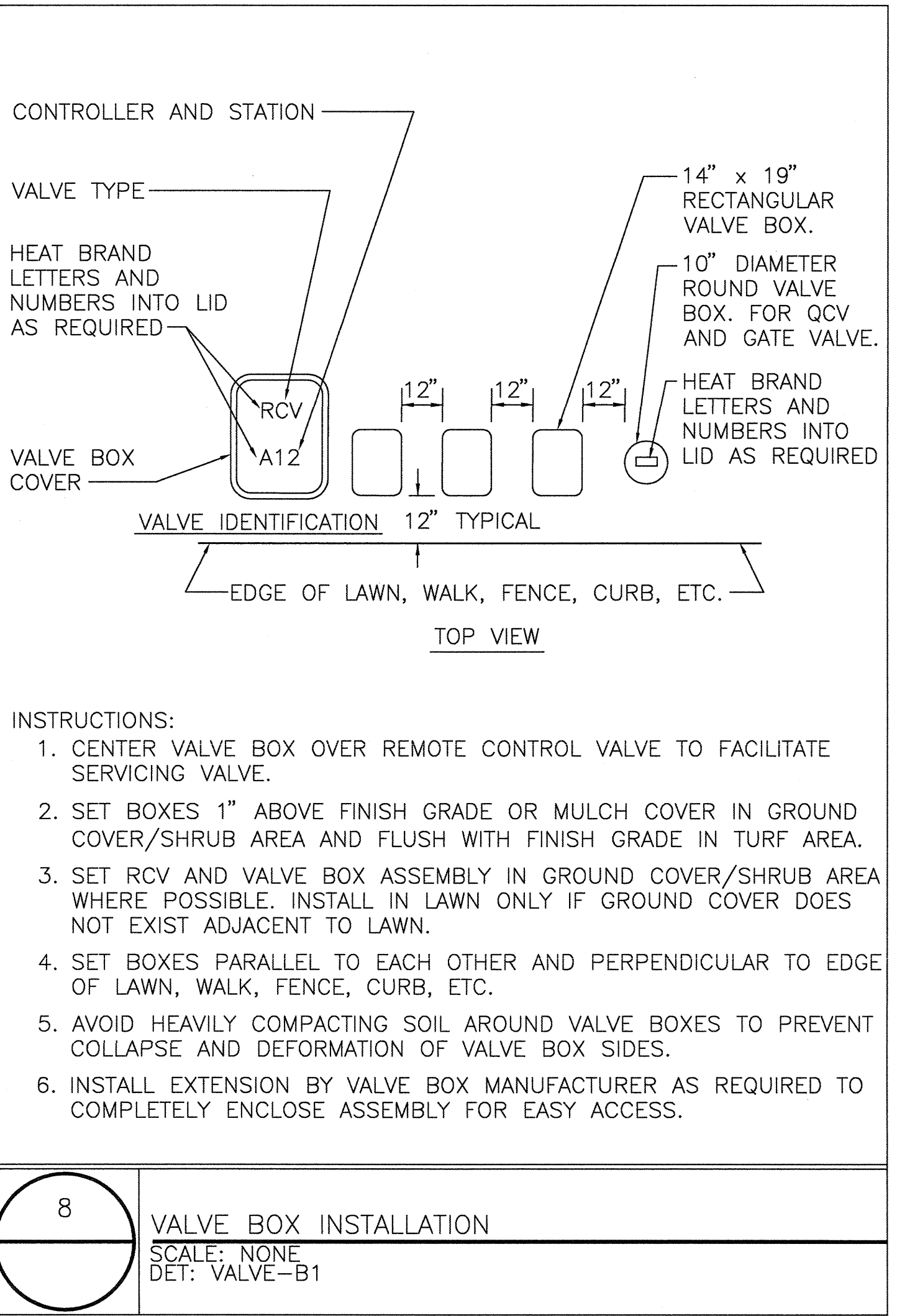
5 REMOTE CONTROL VALVE(SOLVENT WELD)
SCALE: NONE
DET: RCV



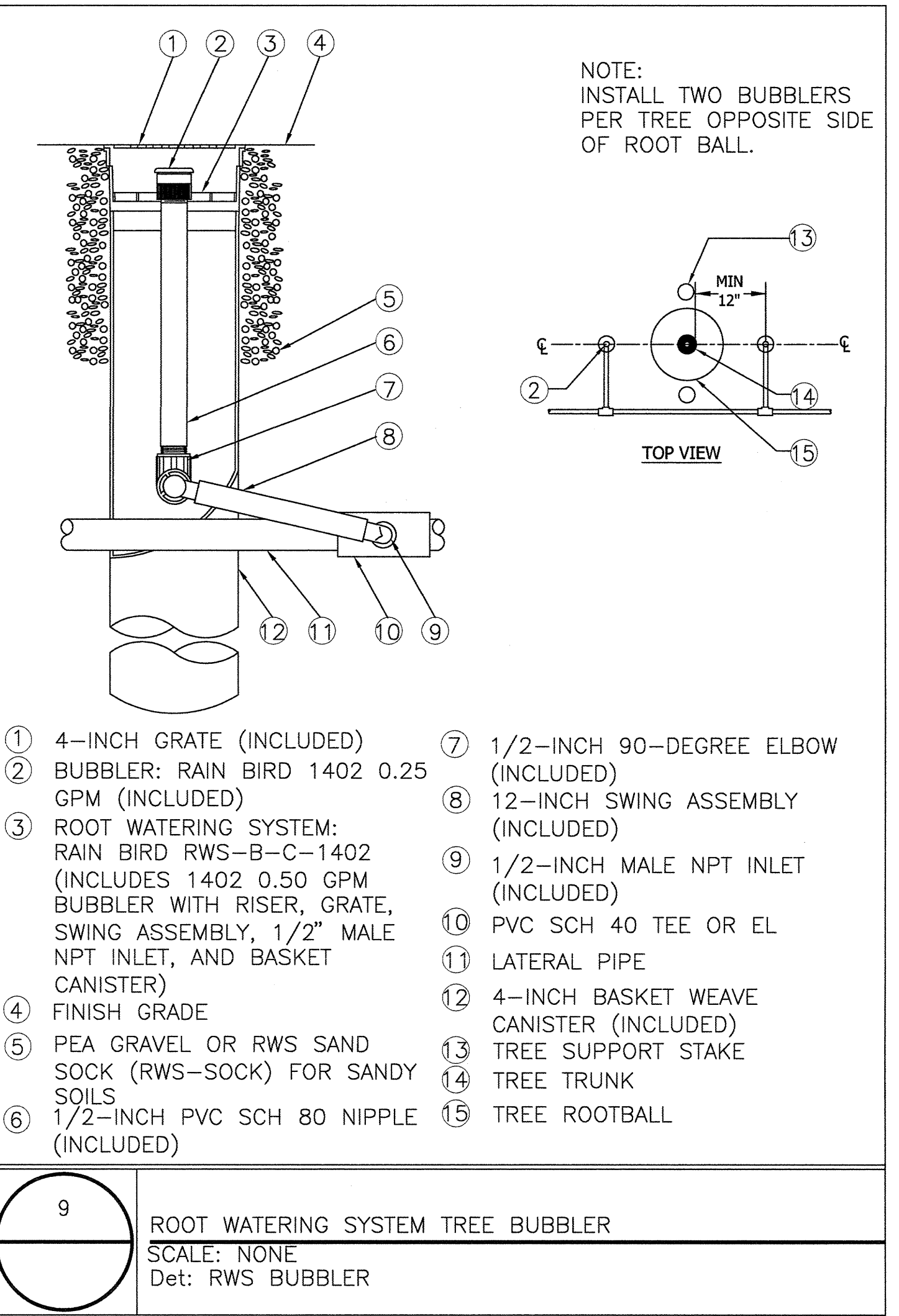
6 REMOTE CONTROL VALVE-GASKETED MAIN LINE(BALL VALVE)
SCALE: NONE
DET: RCV-GASKETED



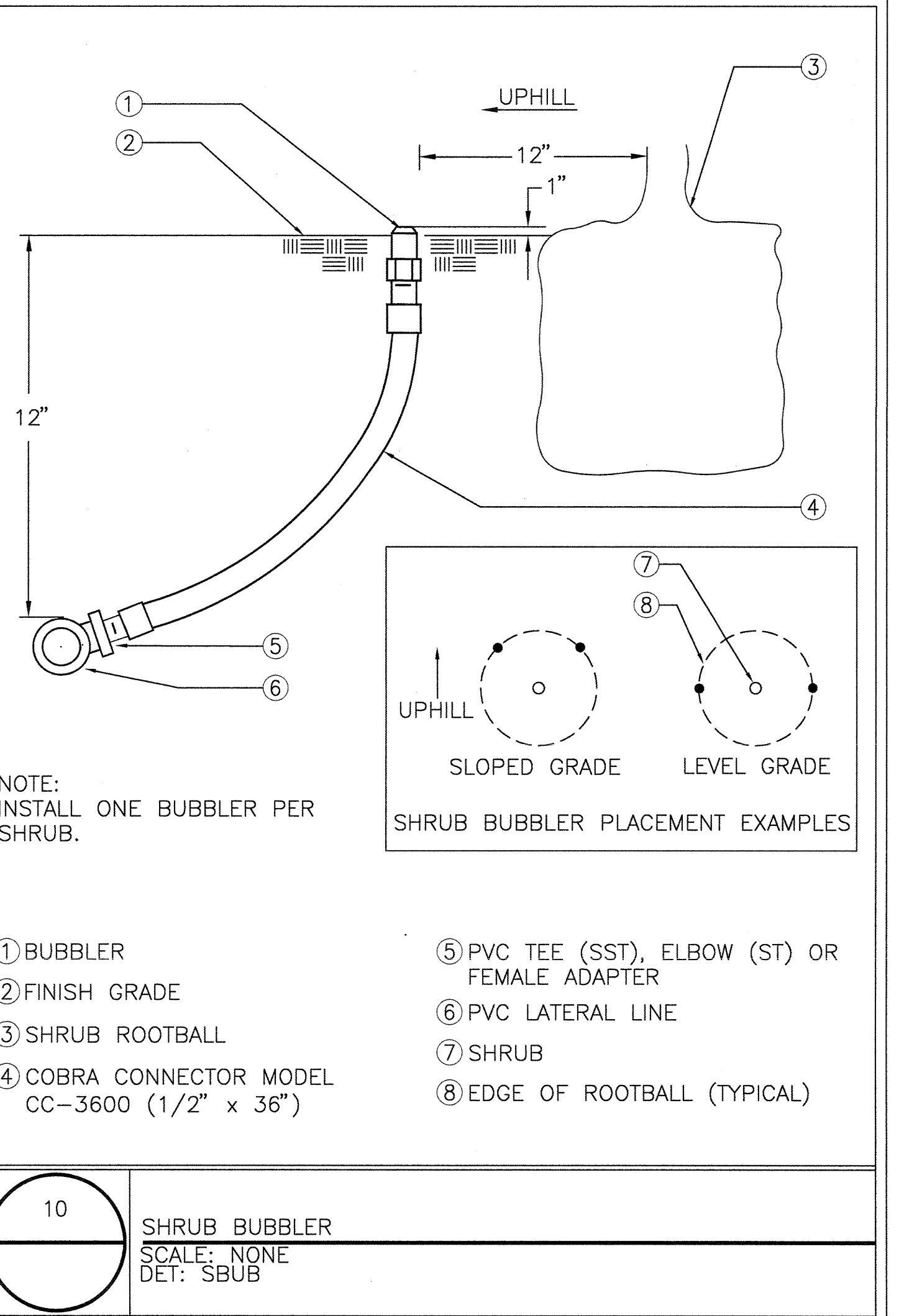
7 TRENCHING
SCALE: NONE
DET: TRENCH



8 VALVE BOX INSTALLATION
SCALE: NONE
DET: VALVE-B1



9 ROOT WATERING SYSTEM TREE BUBBLER
SCALE: NONE
DET: RWS BUBBLER



10 SHRUB BUBBLER
SCALE: NONE
DET: SBUB

College of San Mateo
Site Package
San Mateo, CA
Developed for
San Mateo County Community College District

Date	Revision	Description
19 SEPT 2008 <td>1 <td>DSA SUBMITTAL</td> </td>	1 <td>DSA SUBMITTAL</td>	DSA SUBMITTAL
09 APRIL 2009 <td>2 <td>DSA FINAL</td> </td>	2 <td>DSA FINAL</td>	DSA FINAL

Date	Revision	Description
19 SEPT 2008 <td>1 <td>DSA SUBMITTAL</td> </td>	1 <td>DSA SUBMITTAL</td>	DSA SUBMITTAL
09 APRIL 2009 <td>2 <td>DSA FINAL</td> </td>	2 <td>DSA FINAL</td>	DSA FINAL

Job No.	27082.30
Date	09 APRIL 2009
Drawn by	AG, RF
Checked by	SM
Scale	NOT TO SCALE

IRRIGATION DETAILS