

This and all other project documents are the property of McCarthy Building Companies, Inc. and are to be used only for the project and site specifically identified in this document. No part of this document may be reproduced, stored in a retrieval system, or transmitted in any form or by any means, electronic, mechanical, photocopying, recording, or by any information storage and retrieval system, without the prior written permission of McCarthy Building Companies, Inc. The user of this document is responsible for obtaining all necessary permits and licenses for the work shown herein. The user of this document is responsible for obtaining all necessary permits and licenses for the work shown herein. The user of this document is responsible for obtaining all necessary permits and licenses for the work shown herein.

© Copyright 2008

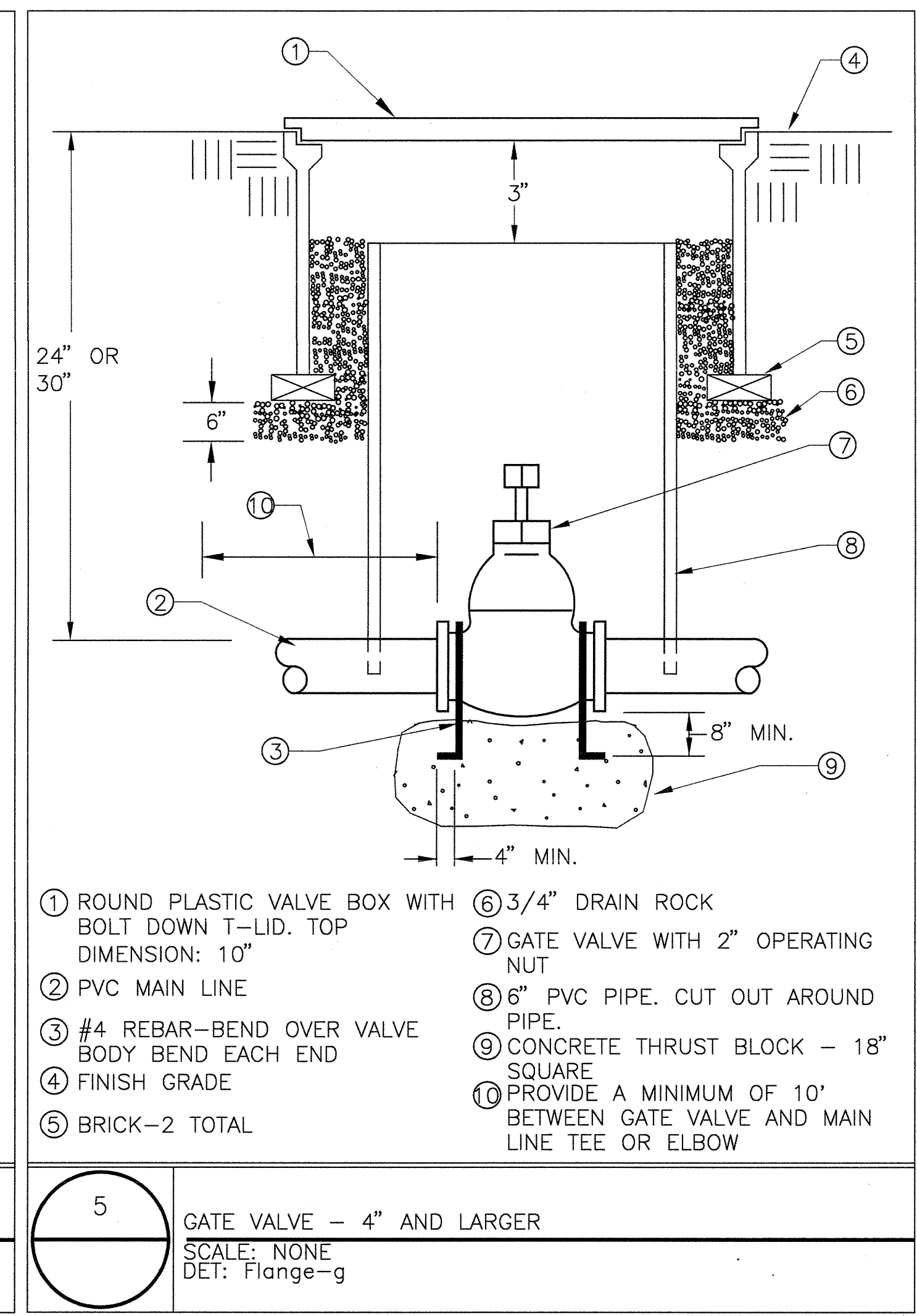
College of San Mateo
Site Package
San Mateo, CA
Developed for
San Mateo County Community College District

| Revision | Description |
|----------|-------------|
| | |
| | |
| | |
| | |

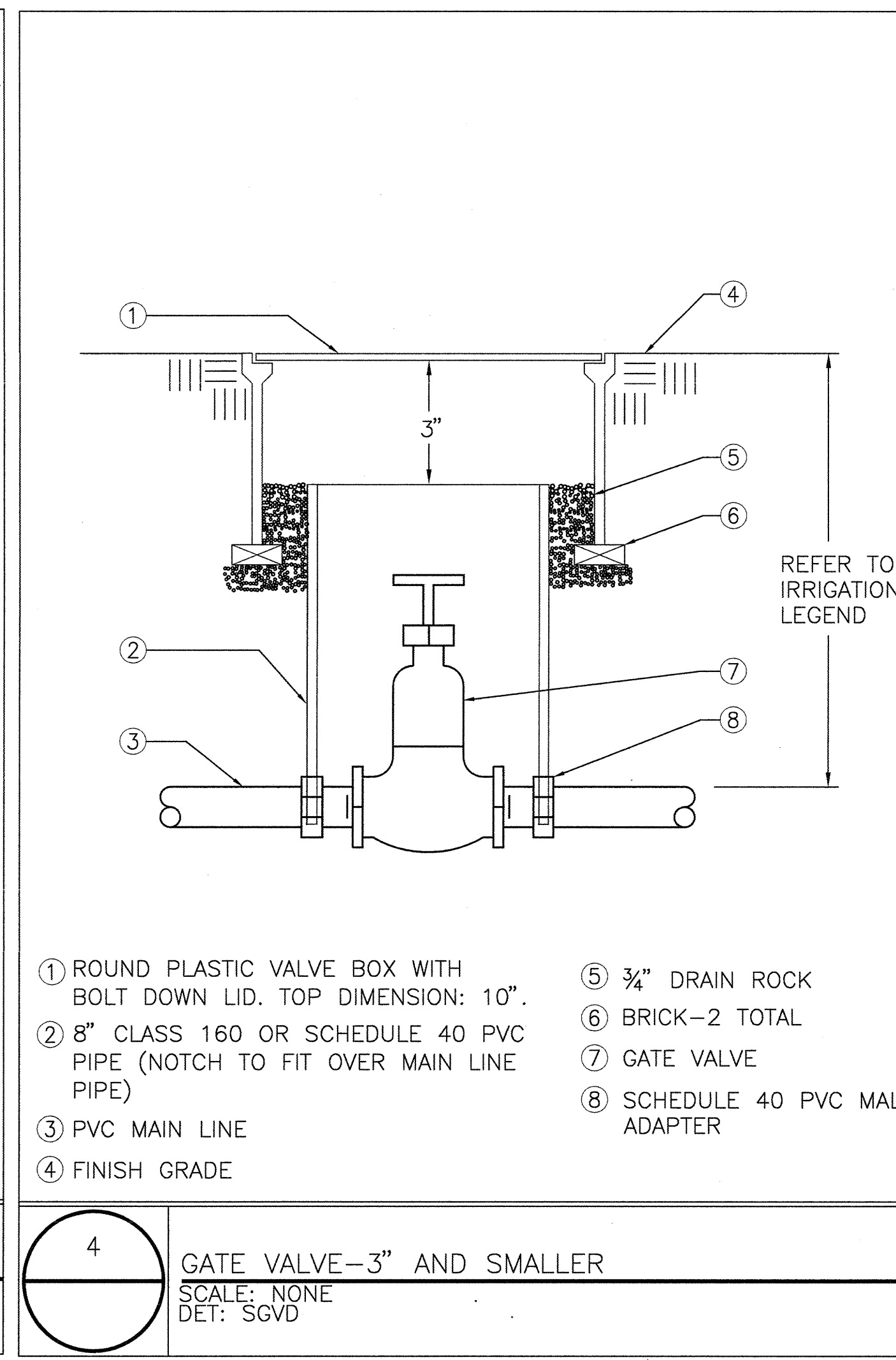
| Date | Description |
|---------------|-------------|
| 19 SEPT 2008 | |
| 09 APRIL 2009 | |
| | |
| | |

| | |
|------------|---------------|
| Job No. | 27082.30 |
| Date | 09 APRIL 2009 |
| Drawn by | AG, RF |
| Checked by | SM |
| Scale | NOT TO SCALE |

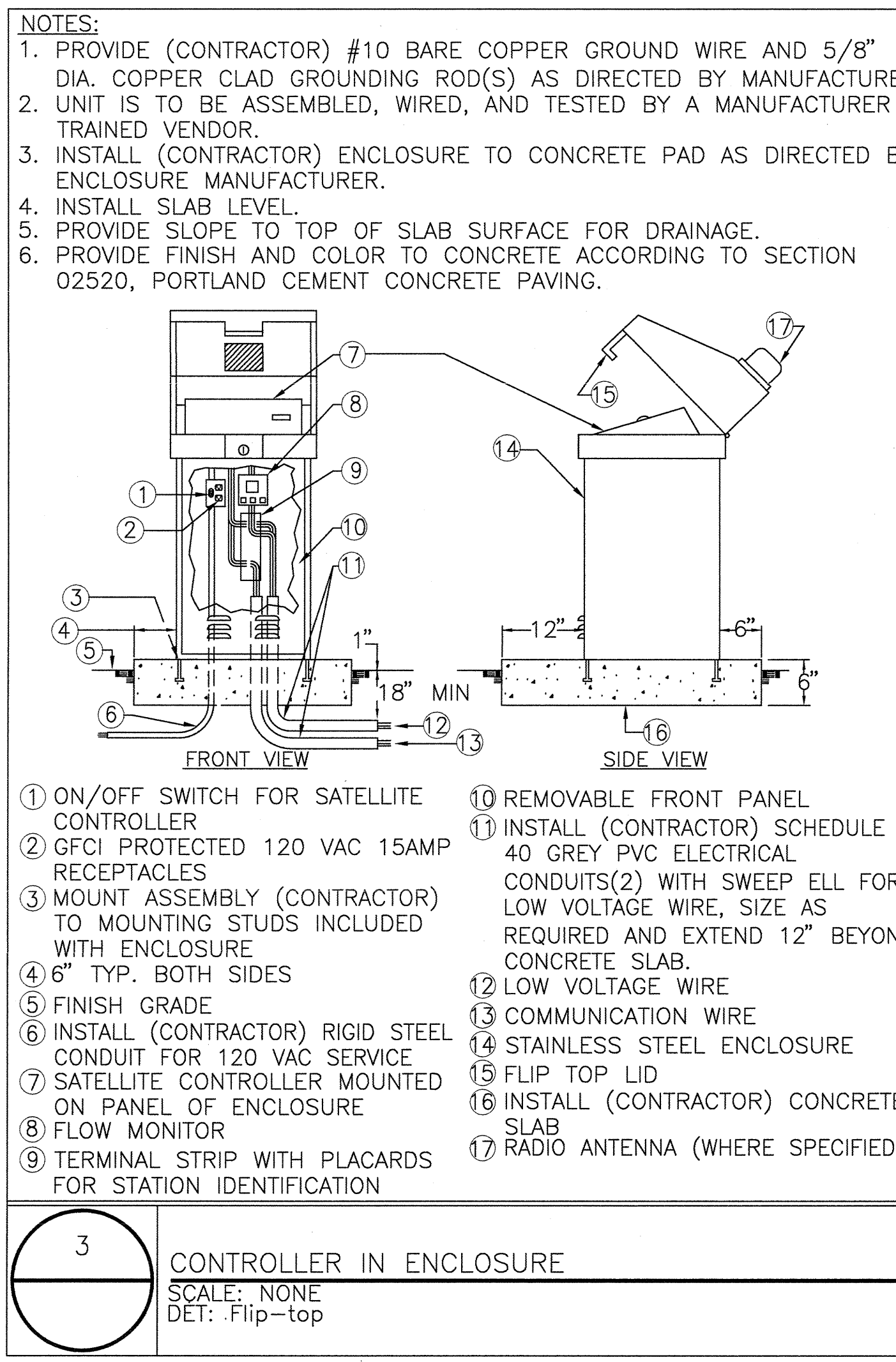
IRRIGATION DETAILS



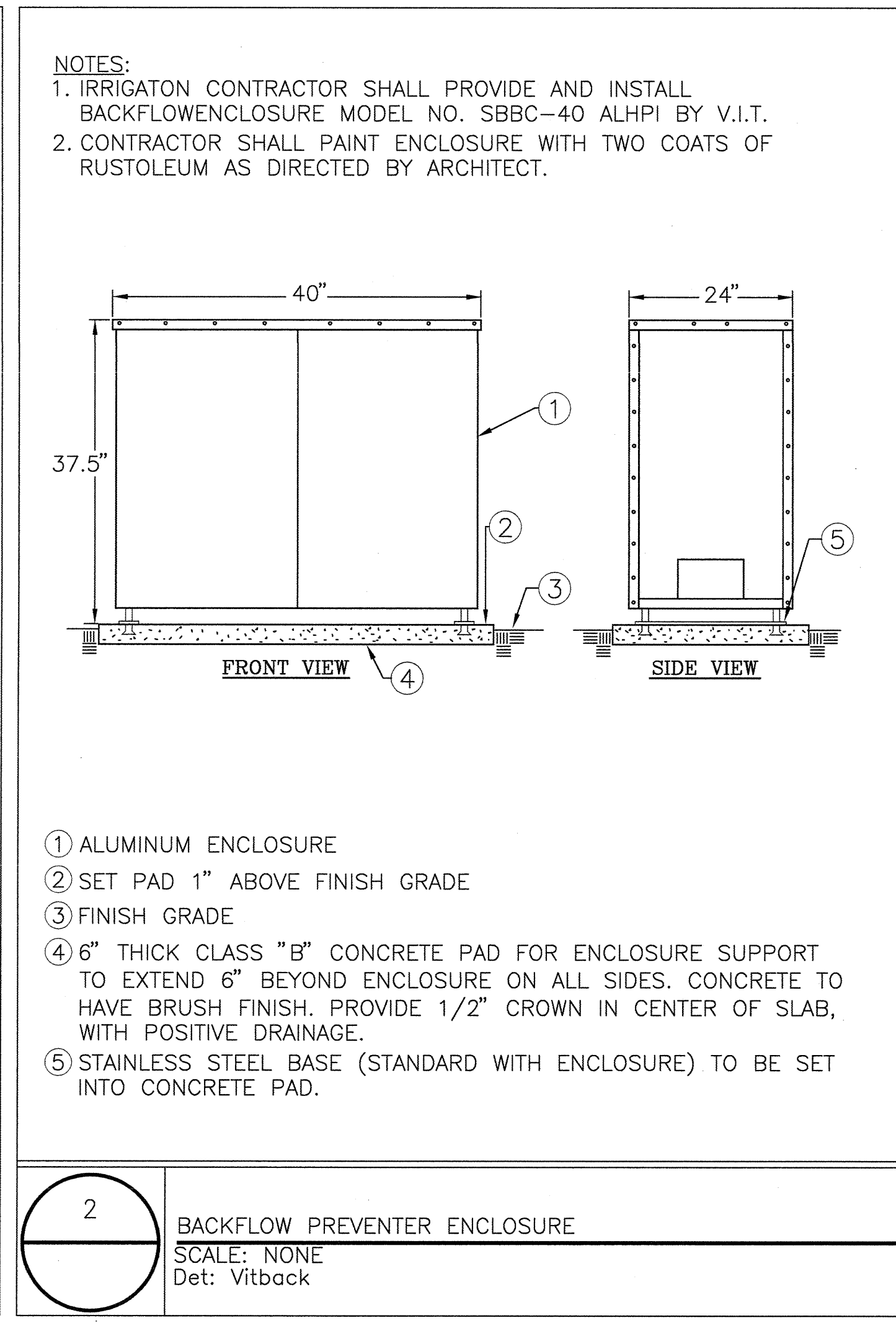
5 GATE VALVE - 4" AND LARGER
SCALE: NONE
DET: Flange-g



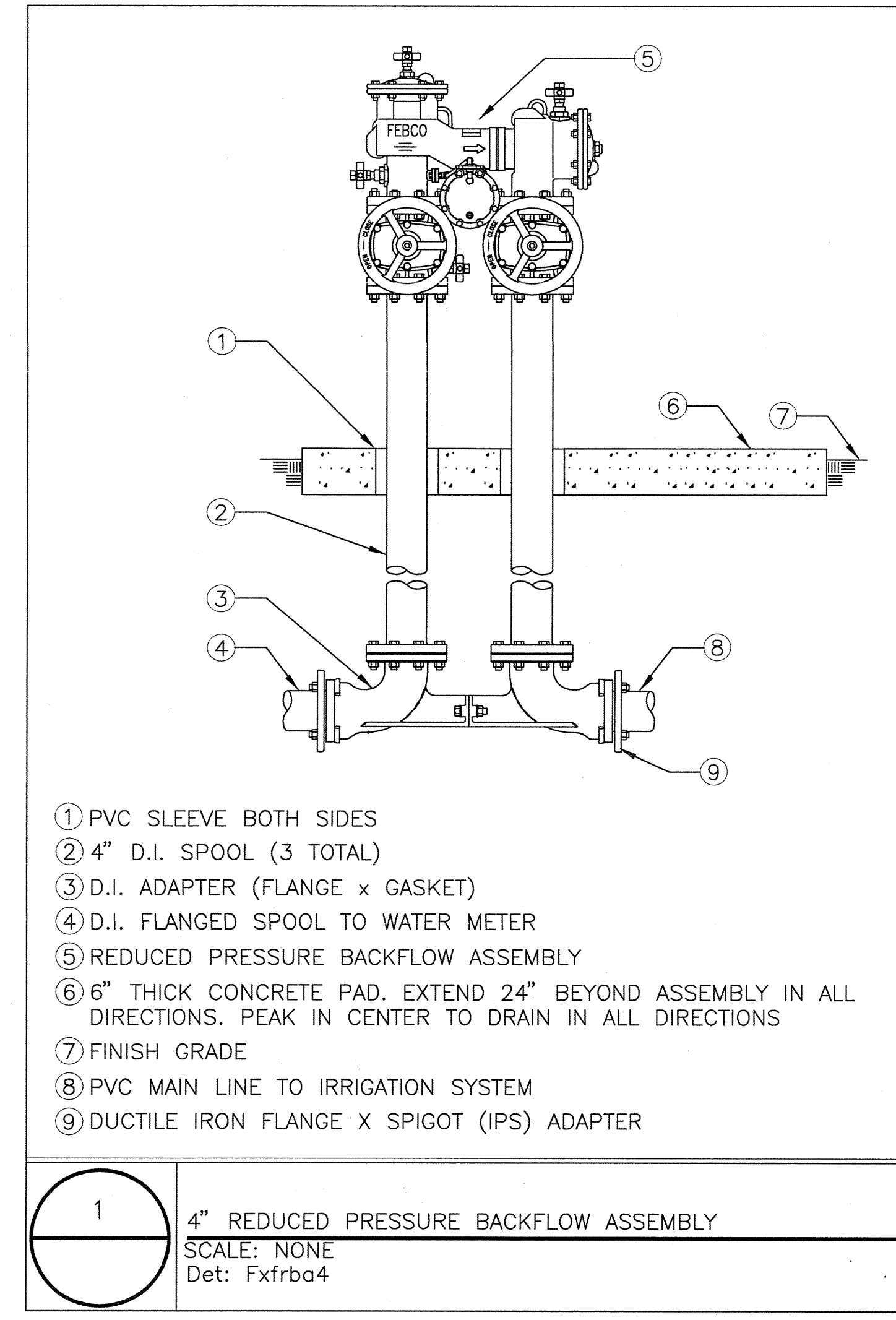
4 GATE VALVE - 3" AND SMALLER
SCALE: NONE
DET: SGVD



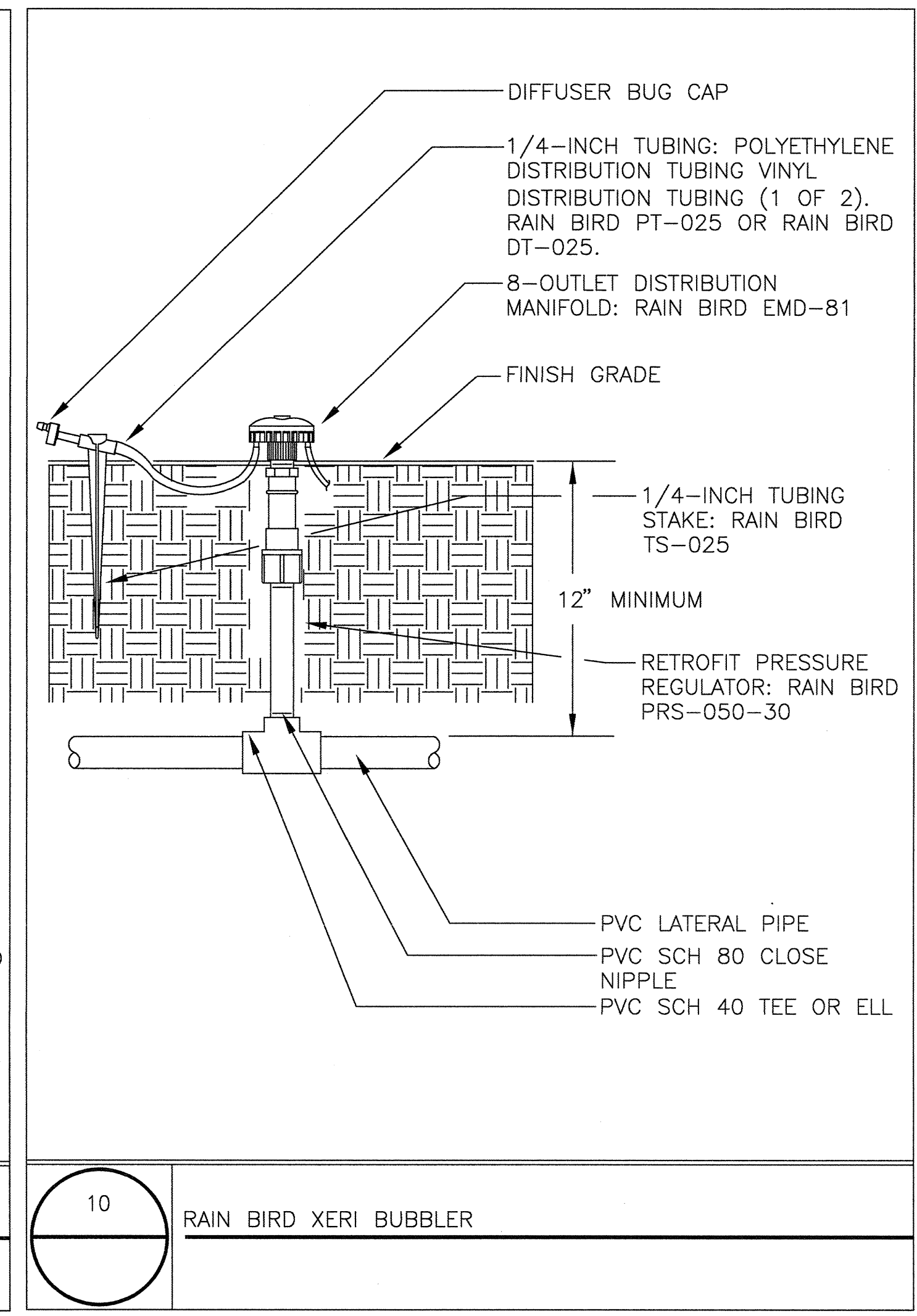
3 CONTROLLER IN ENCLOSURE
SCALE: NONE
DET: Flip-top



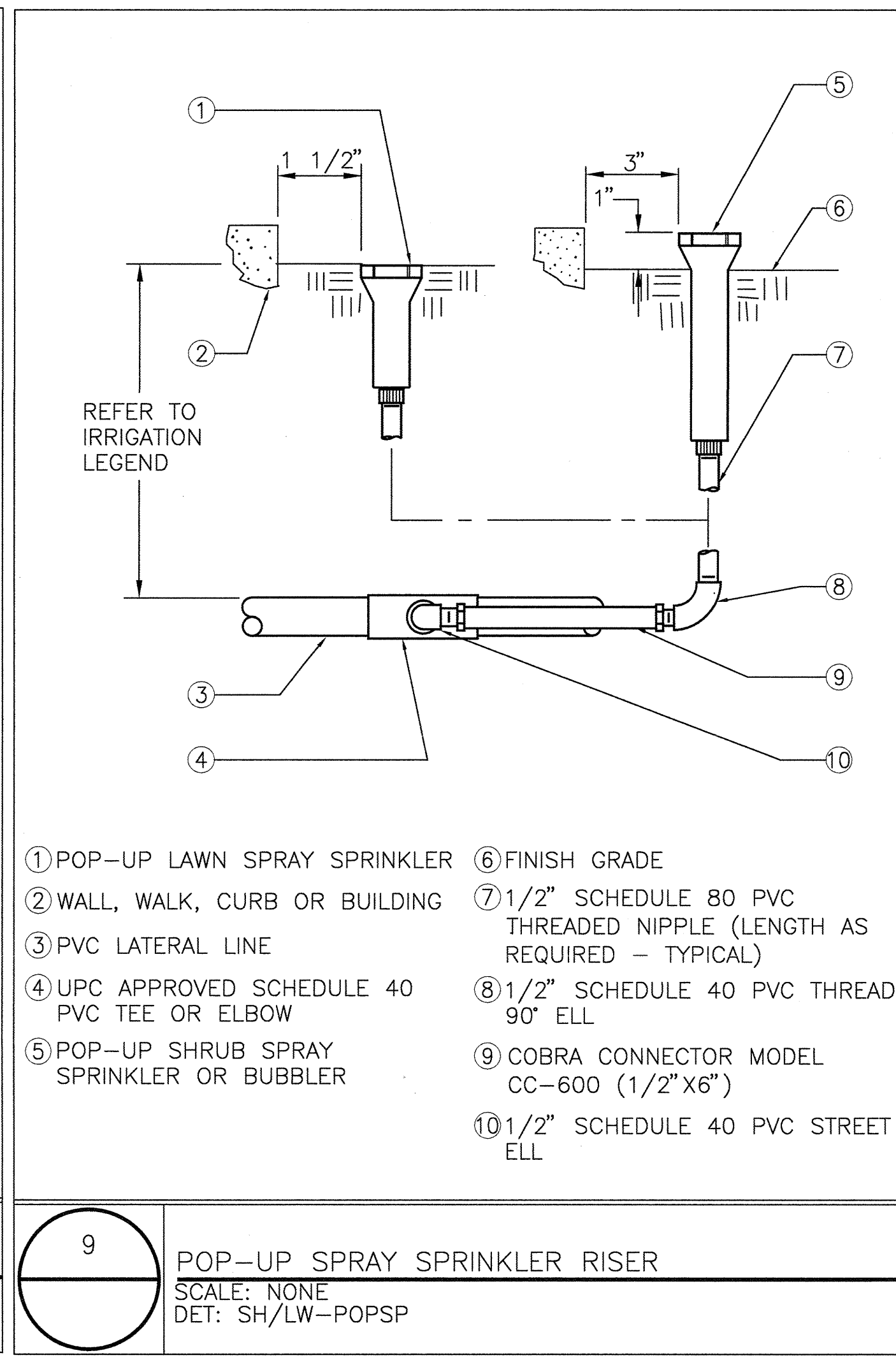
2 BACKFLOW PREVENTER ENCLOSURE
SCALE: NONE
DET: Vitback



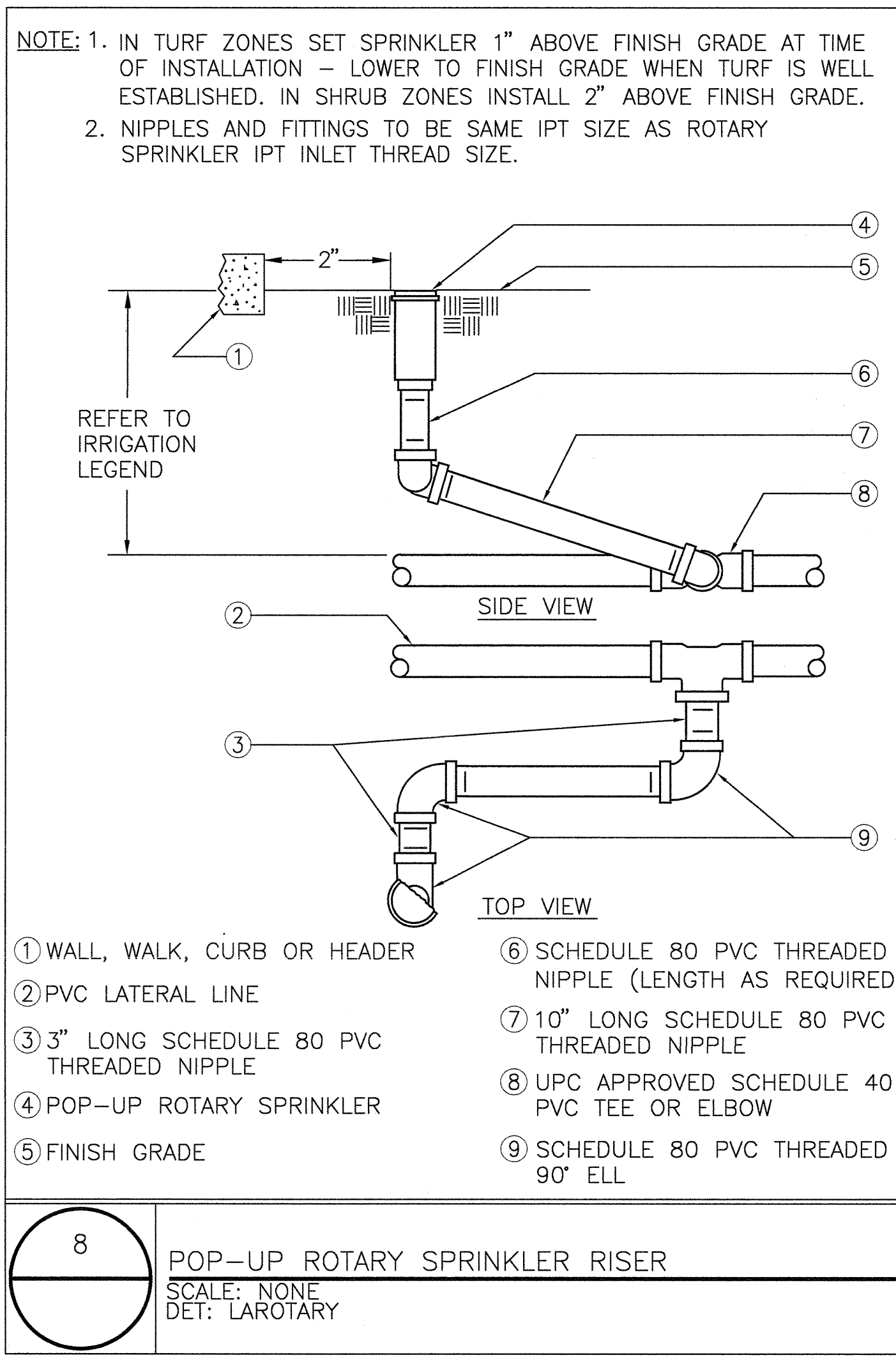
1 4" REDUCED PRESSURE BACKFLOW ASSEMBLY
SCALE: NONE
DET: Fxfrba4



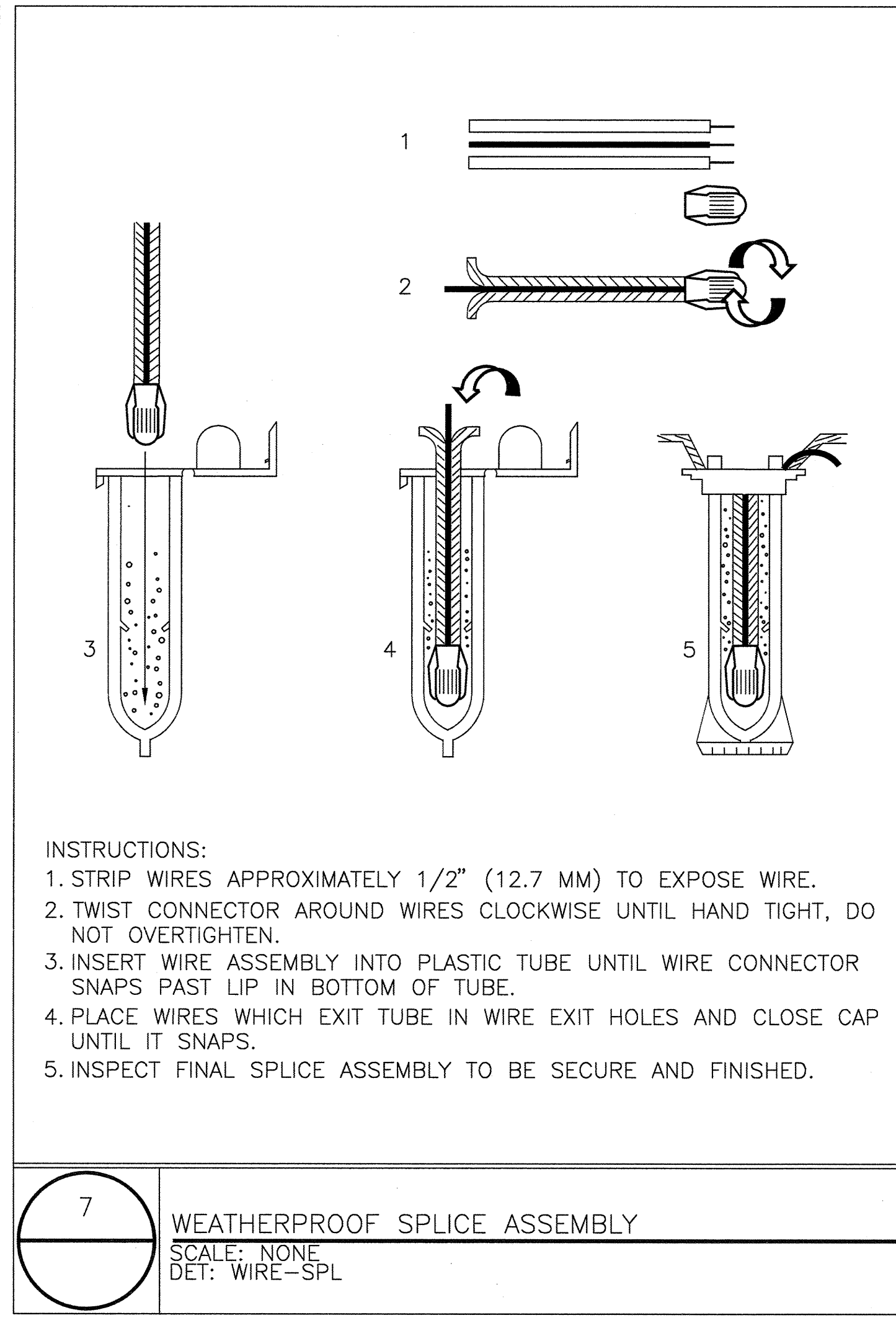
10 RAIN BIRD XERI BUBBLER



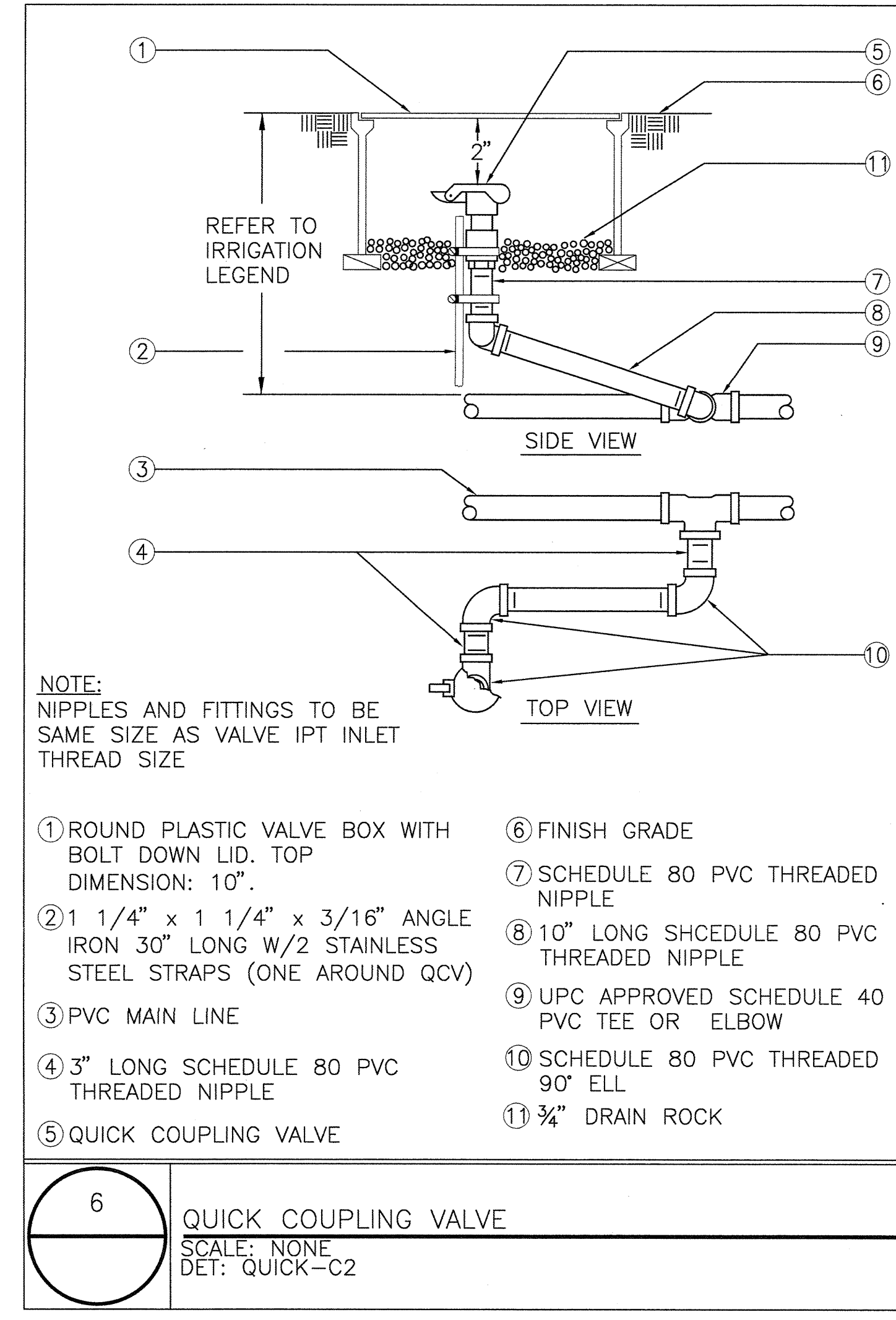
9 POP-UP SPRAY SPRINKLER RISER
SCALE: NONE
DET: SH/LW-POPSP



8 POP-UP ROTARY SPRINKLER RISER
SCALE: NONE
DET: LAROTARY



7 WEATHERPROOF SPLICE ASSEMBLY
SCALE: NONE
DET: WIRE-SPL



6 QUICK COUPLING VALVE
SCALE: NONE
DET: QUICK-C2