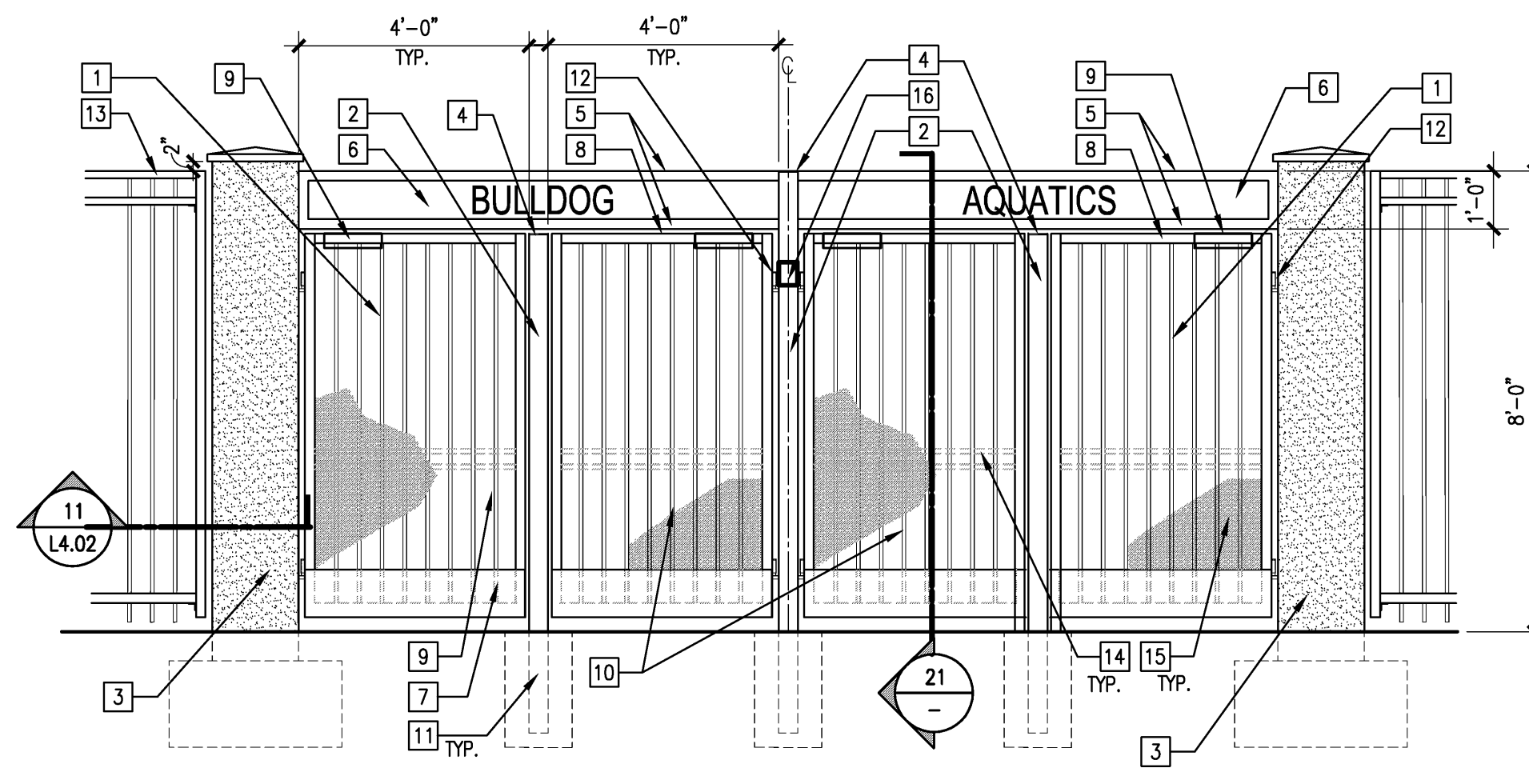


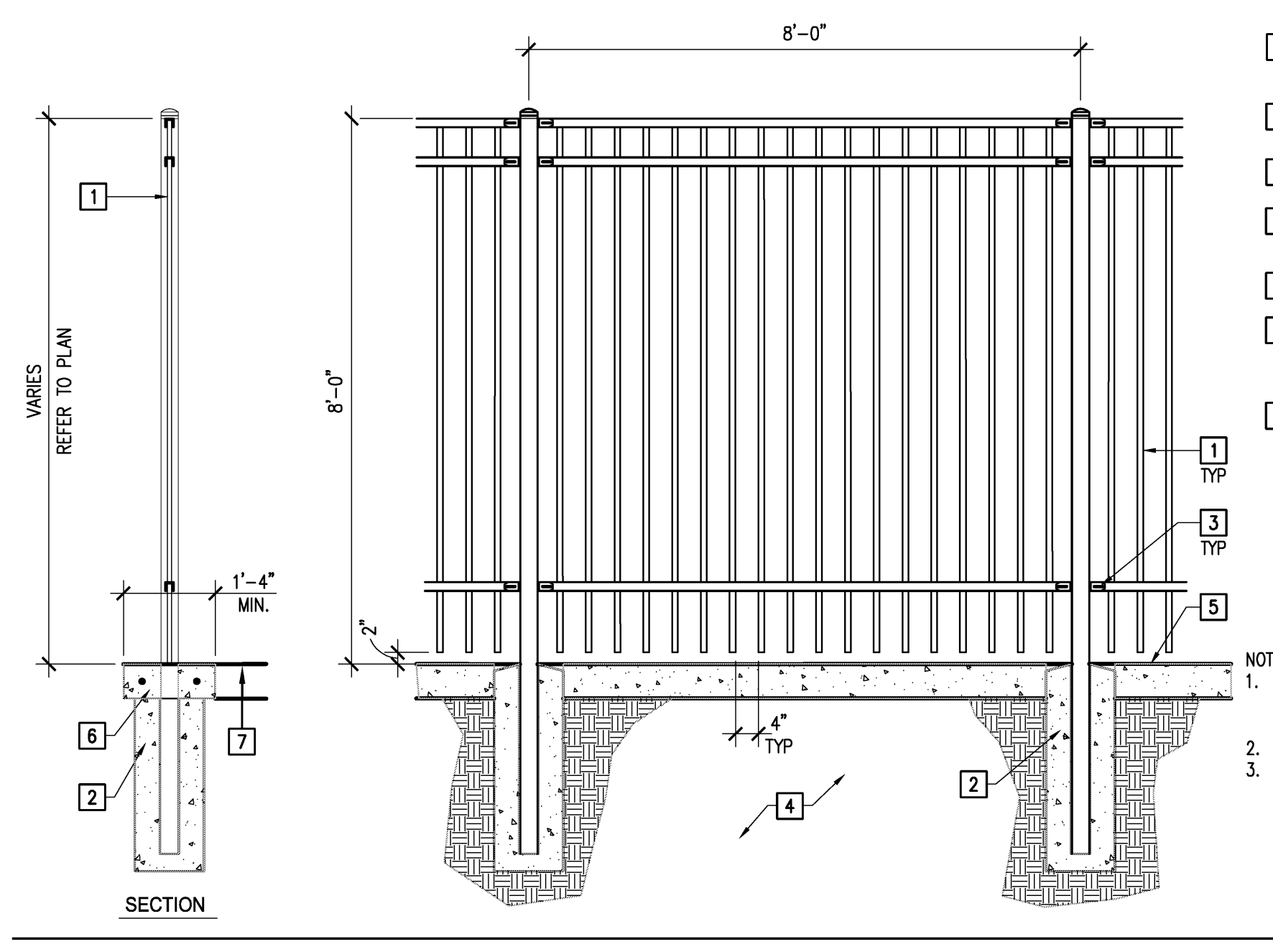
- 1 PANIC HARDWARE ATTACHED TO STEEL PLATE
- 2 AQUATICS ENTRY GATE
- 3 HSS 2"x2"x3/16" GATE FRAME
- 4 1/8"x10" STEEL KICK PLATE ON BOTH SIDES OF GATE, WELD TO FACE OF GATE FRAME
- 5 1/8" THK STL. MOUNTING PLATE, 3/16" FILLET WELD TO FRAME, UPPER AND LOWER EDGES TO EXTEND 1" BEYOND PANIC HARDWARE, PAINT TO MATCH FENCE.
- 6 1" SQ X 14 GA. T.S. PICKETS @ 4" O.C.
- 7 HSS 2" X 4" X 3/16" SIGNAGE PANEL FRAME, ALIGN FACE OF FRAME WITH FACE OF GATE
- 8 GATE CLOSER
- 9 FINISH SURFACE
- 10 SIGNAGE PANEL, REFER TO SIGNAGE DRAWINGS
- 11 GATE POST BEYOND

PEDESTRIAN SWING GATE SECTION 1" = 1'-0" TS DR-P SIGN 21



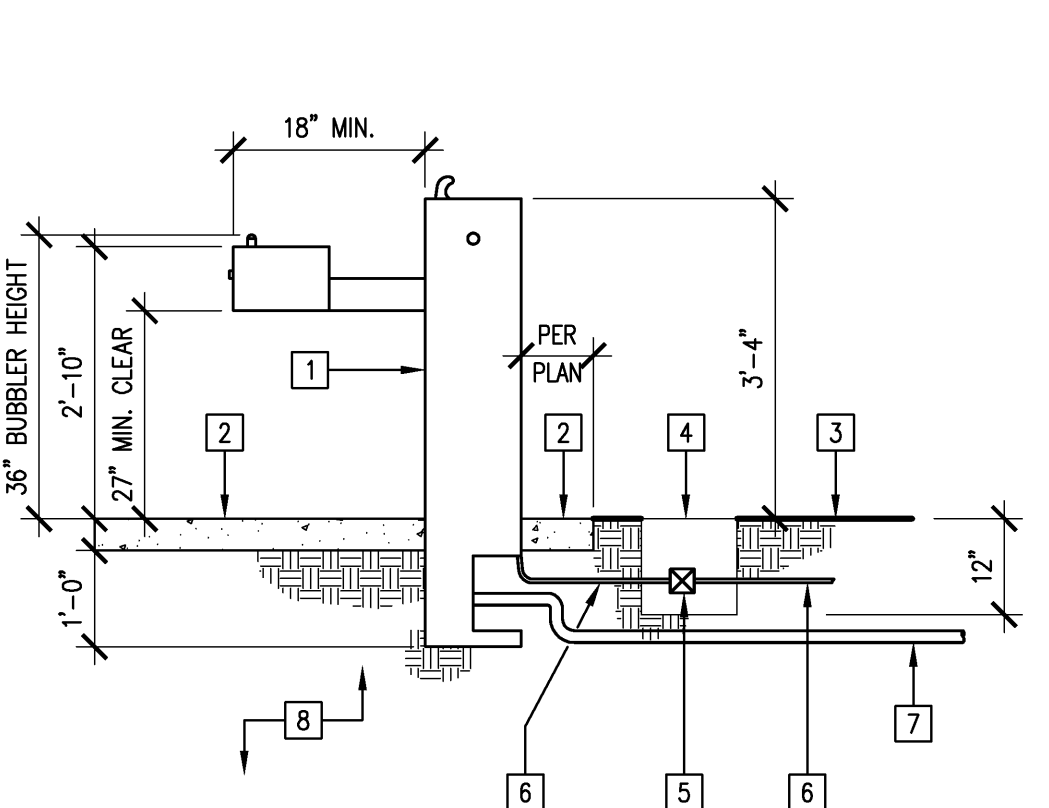
- 1 DOUBLE TUBE STEEL GATE W/PANIC BAR
- 2 HSS 4" X 4" X 1/4" GATE POST
- 3 PLASTER WITH PRECAST CONCRETE CAP
- 4 12 GA. GALV. STL. POST CAP, TYP. WELD TO TOP OF POST
- 5 HSS 2" X 4" X 3/16" SIGNAGE PANEL FRAME
- 6 1/4" THICK X 8" HIGH GALV. STL. PLATE SIGNAGE PANEL MOUNTED IN MIDDLE OF SIGNAGE PANEL FRAME, REFER TO SIGNAGE DETAILS FOR FONT AND LETTER SIZE INFORMATION
- 7 1/4" THICK GALV. STL. KICK PLATE 10" HIGH, MOUNT ON BOTH SIDES OF GATE, FINISH TO MATCH GATE.
- 8 HSS 2" X 2" X 3/16" TOP RAIL
- 9 GATE CLOSER LOCATED AT INSIDE OF GATE, TYPICAL EACH GATE
- 10 1" SQ. X 14 GA. T.S. GATE PICKETS @ 4" O.C.
- 11 PEDESTRIAN T.S. GATE POST FOOTING
- 12 HINGE @ TOP & BOTTOM EA. GATE.
- 13 T.S. FENCE WITH DOUBLE TUB RAIL
- 14 PANIC BAR LOCATED AT INSIDE OF GATE
- 15 SECURITY PANEL ATTACHED ON EXIT SIDE OF GATE, FINISH TO MATCH ADJACENT FENCE.
- 16 FIRE DEPT. KNOX BOX

AQUATICS ENTRY GATE 3/8" = 1'-0" P/LTS GATEX 09



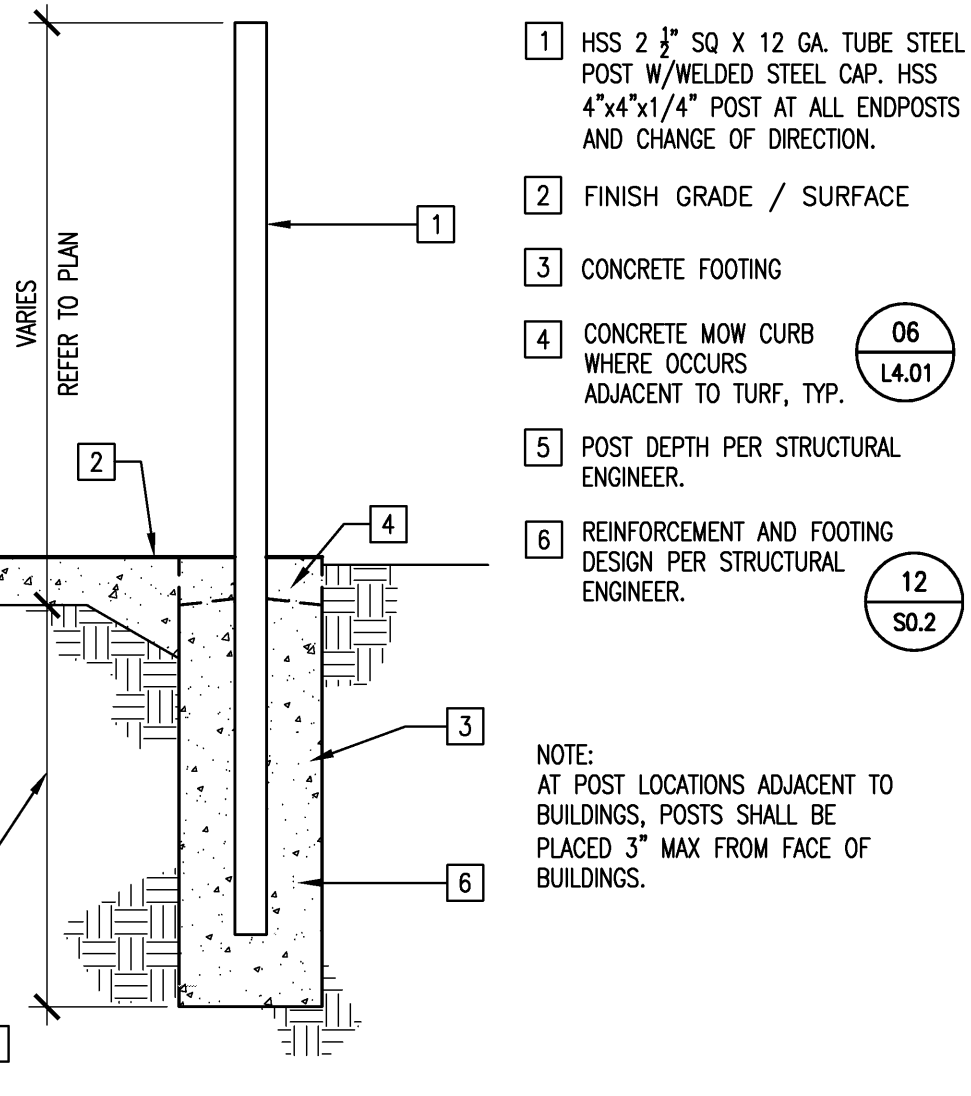
- 1 AMERISTAR FENCE: MODEL AEGS II MAJESTIC.
- 2 CONCRETE FOOTING.
- 3 AMERISTAR MOUNTING BRACKET.
- 4 BASE MATERIAL AND SUB GRADE PER GEOTECHNICAL REPORT.
- 5 FINISH GRADE / FINISH SURFACE.
- 6 CONCRETE MOW CURB WHERE OCCURS ADJACENT TO TURF, TYP. SIM.
- 7 CONCRETE PAWING WHERE OCCURS.

TUBE STEEL FENCE 3/2" = 1'-0" TB STL FEN 01



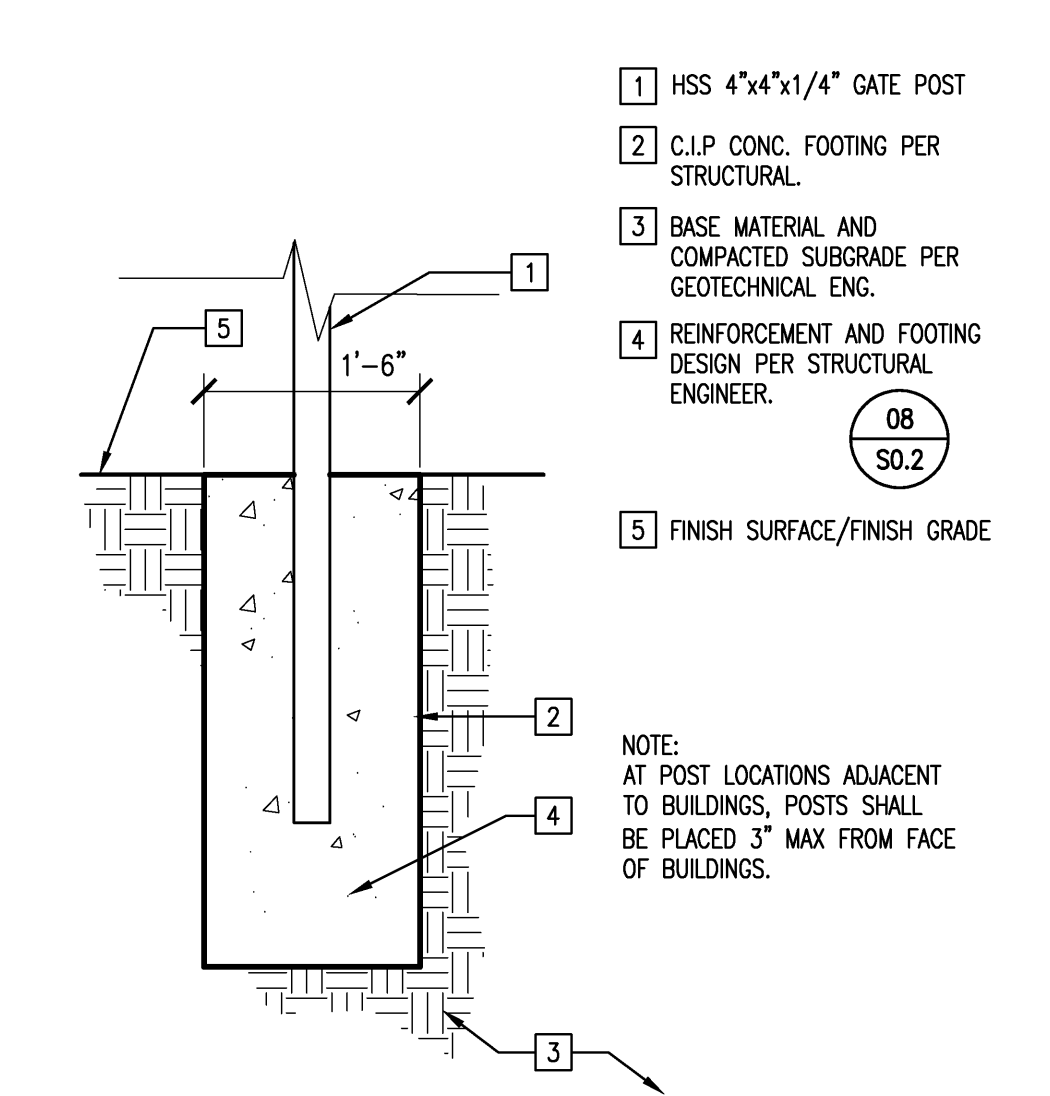
- 1 DRINKING FOUNTAIN. SEE SITE FURNISHINGS LEGEND.
- 2 CONCRETE PAD @ FOUNTAIN - FINISH AND COLOR TO MATCH ADJACENT CONCRETE.
- 3 FINISH GRADE.
- 4 REMOTELY LOCATE GREEN PLASTIC VALVE BOX. LOCATE IN ADJACENT PLANTER @ A LOCATION TO BE DETERMINED IN THE FIELD BY THE LANDSCAPE ARCHITECT. EXTEND PIPING AS NEEDED.
- 5 MDF CONTROL VALVE. SIZE PER MANUFACTURER.
- 6 1 1/2" WATERLINE SEE CIVIL PLANS.
- 7 DRAIN, PER CIVIL PLANS
- 8 UPPER 2'-0" (TWO FEET) OF SOIL DIRECTLY BENEATH FOOTING SHOULD BE COMPACTED TO A RELATIVE COMPACTION OF 90%

DRINKING FOUNTAIN 1/2" = 1'-0" DT02WF03X 18



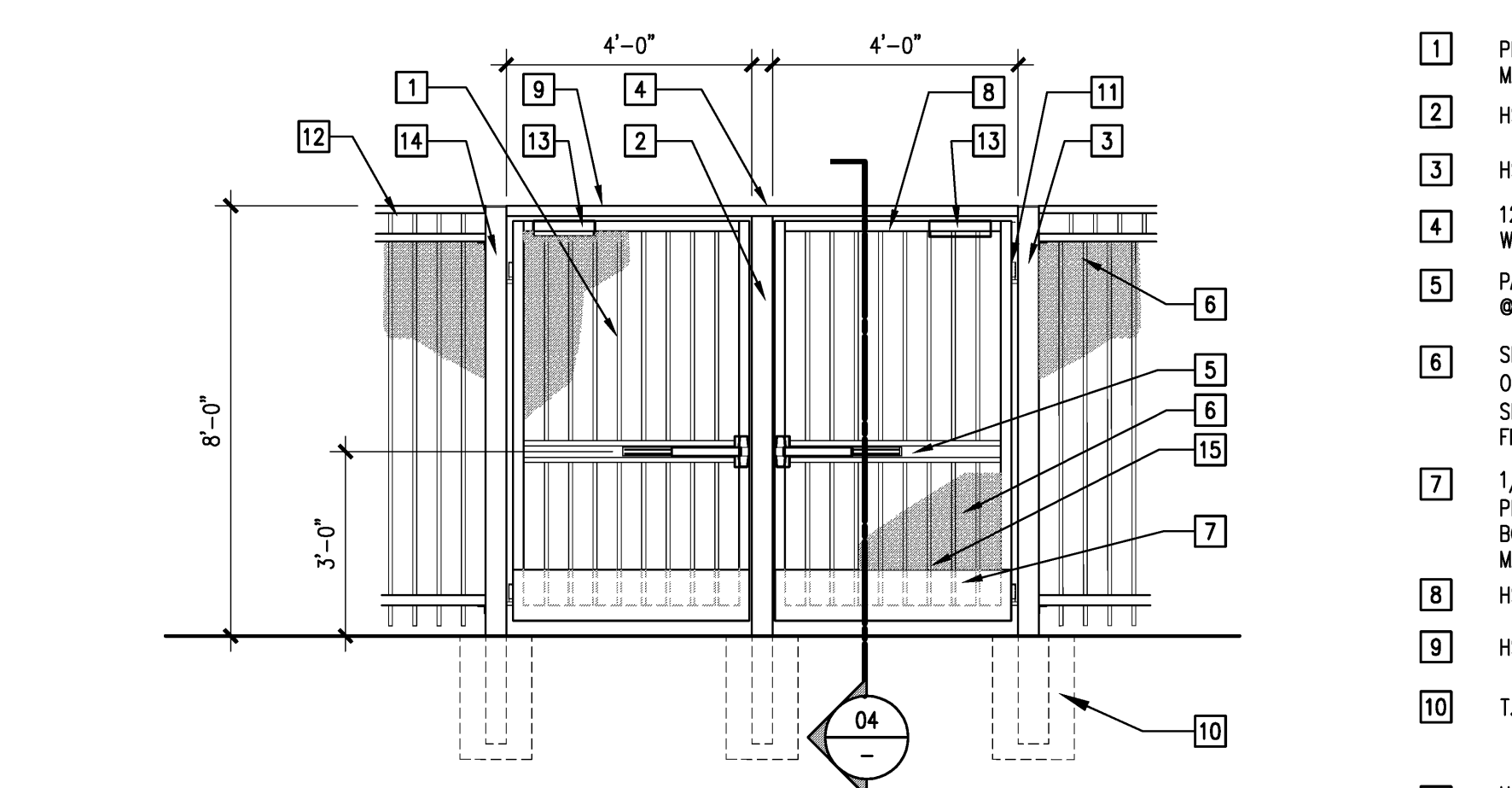
- 1 HSS 2" X 2" X 3/16" TUBE STEEL POST W/WELDED STEEL CAP, HSS 4"x4"x1/4" POST AT ALL ENDPOTS AND CHANGE OF DIRECTION.
- 2 FINISH GRADE / SURFACE
- 3 CONCRETE FOOTING
- 4 CONCRETE MOW CURB WHERE OCCURS ADJACENT TO TURF, TYP.
- 5 POST DEPTH PER STRUCTURAL ENGINEER.
- 6 REINFORCEMENT AND FOOTING DESIGN PER STRUCTURAL ENGINEER.

T.S. FENCE POST FOOTING 1/2" = 1'-0" DT02F01B 14



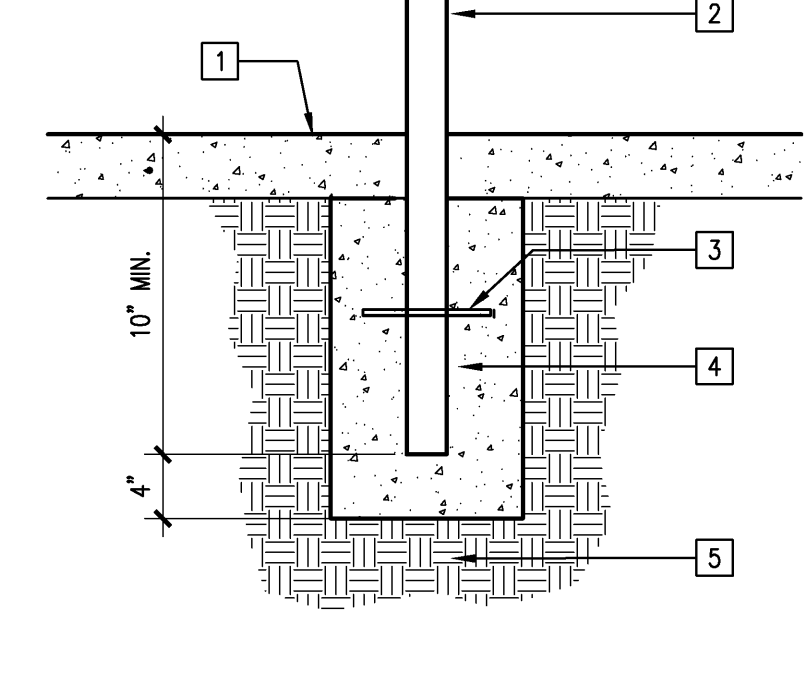
- 1 HSS 4"x4"x1/4" GATE POST
- 2 C.I.P. CONC. FOOTING PER STRUCTURAL
- 3 BASE MATERIAL AND COMPACTED SUBGRADE PER GEOTECHNICAL ENG.
- 4 REINFORCEMENT AND FOOTING DESIGN PER STRUCTURAL ENGINEER
- 5 FINISH SURFACE/FINISH GRADE

T.S. PEDESTRIAN GATE POST FTG. 3/4" = 1'-0" TS GATE FTG 10



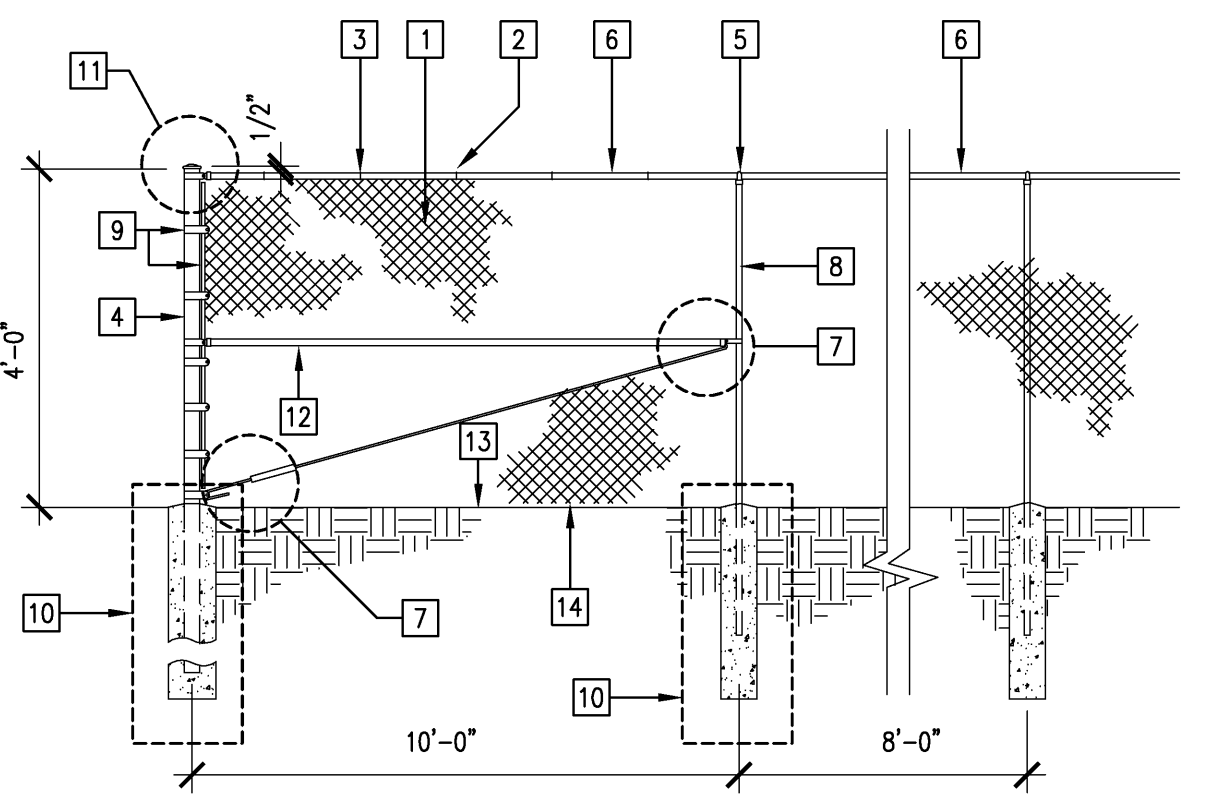
- 1 PEDESTRIAN EXIT GATE TO MATCH TUBE STEEL FENCE
- 2 HSS 4" X 4" X 1/4" JAMB POST
- 3 HSS 4" X 4" X 1/4" HINGE POST
- 4 12 GA. GALV. STL. POST CAP, TYP. WELD TO TOP OF POST
- 5 PANIC HARDWARE, INSTALL @ INSIDE OF GATE
- 6 SECURITY PANEL ATTACHED ON EXIT SIDE OF GATE & ADJACENT FENCE (36" EITHER SIDE OF GATE), OR AS NOTED ON PLANS FINISH TO MATCH ADJACENT FENCE.
- 7 1/4" THICK GALV. STL. KICK PLATE 10" HIGH, MOUNT ON BOTH SIDES OF GATE, FINISH TO MATCH GATE.
- 8 HSS 2" X 2" X 3/16" TOP RAIL
- 9 HSS 2" X 4" X 3/16" HEADER
- 10 T.S. GATE POST FOOTING
- 11 HINGE @ TOP & BOTTOM EA. GATE.
- 12 T.S. FENCE WITH DOUBLE TUB RAIL
- 13 GATE CLOSER LOCATED AT INSIDE OF GATE
- 14 NOT USED
- 15 1" SQ. X 14 GA. T.S. GATE PICKETS @ 4" O.C.

DOUBLE TUBE STEEL GATE WITH PANIC HARDWARE 3/8" = 1'-0" 8 FT TS GATE 02



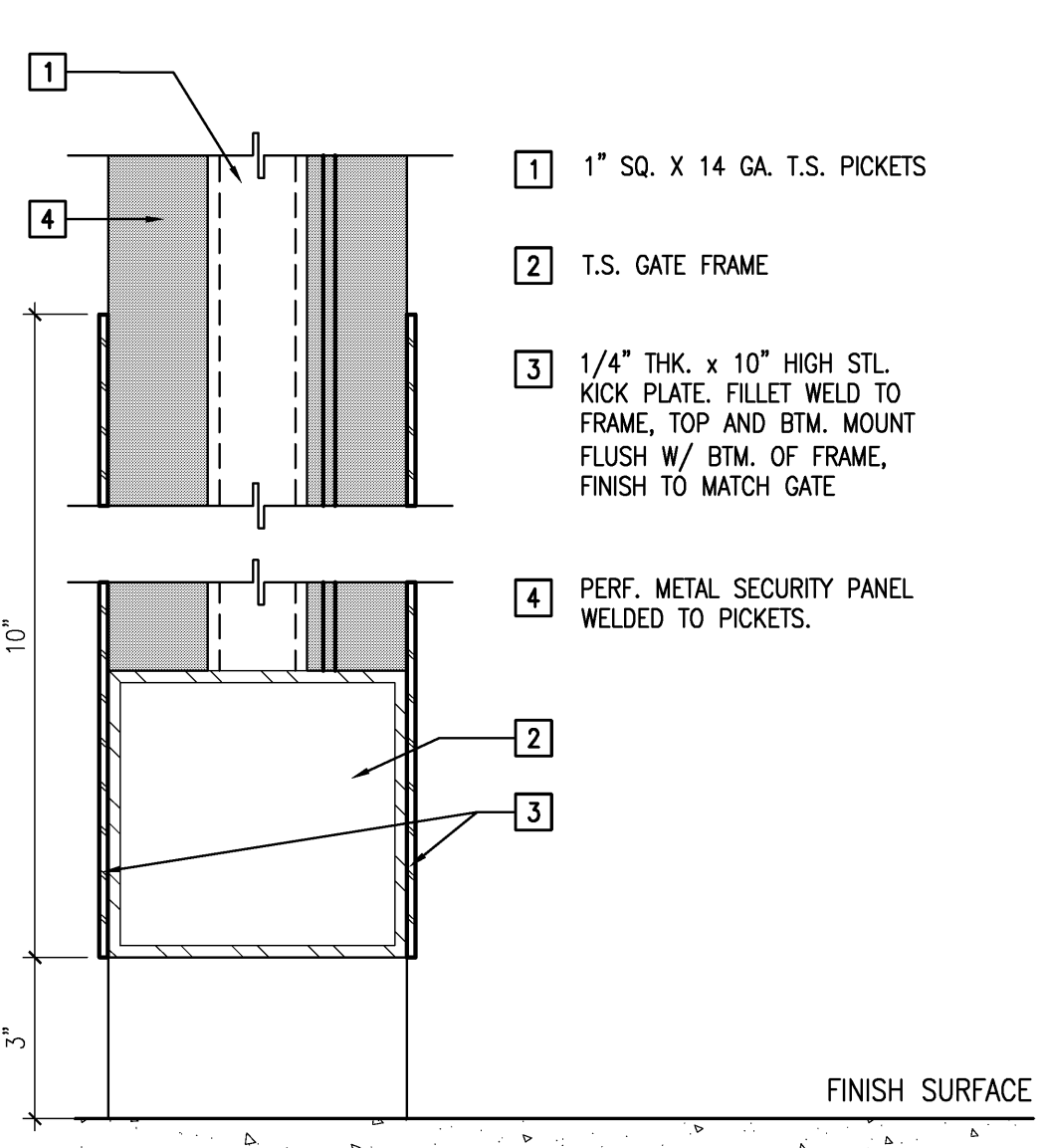
- 1 FINISH SURFACE.
- 2 EMBEDDED STEEL POST, REFER TO MFR. DRAWINGS AND SPECIFICATIONS FOR SIZE.
- 3 3/8" ANCHOR ROD THRU HOLE
- 4 C.I.P. CONCRETE FOOTING.
- 5 BASE MATERIAL AND COMPACTED SUBGRADE PER GEOTECHNICAL REPORT.

EMBEDDED BIKE RACK POST 1" = 1'-0" BIKERACKPOST 23



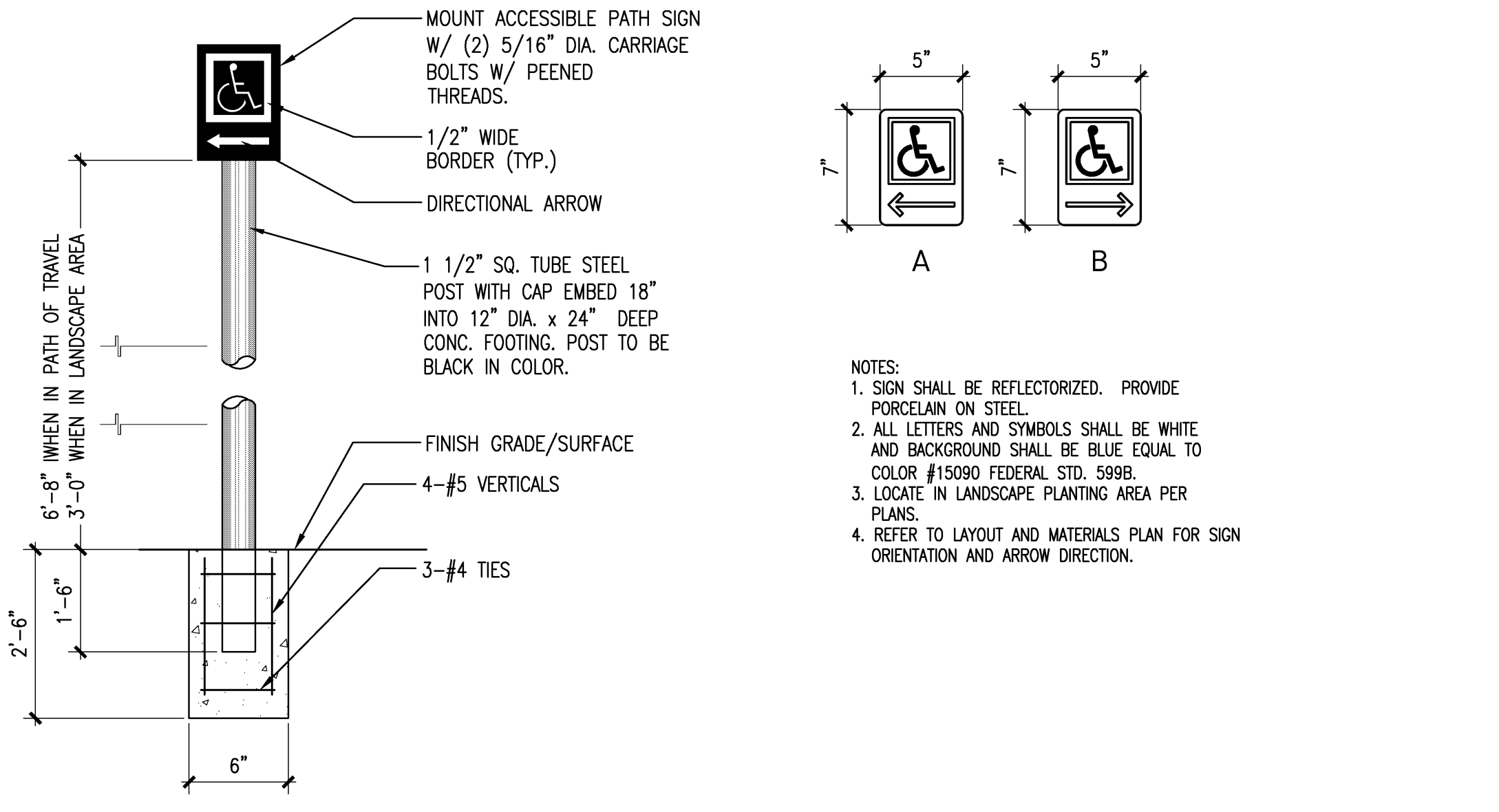
- 1 2" - 9 GAUGE BLACK VINYL COATED CHAIN LINK FENCE. (VERIFY GAUGE AND MESH SIZE)
- 2 TOP SELVAGE TWISTED (OR KNUCKLED) CHAIN LINK FABRIC
- 3 RAIL TIE WIRE. ATTACH TO TOP RAIL SINGLE WRAP @ 9 GAUGE @ 24" O.C. (NOTE: CHAIN LINK TO BE ATTACHED BELOW TOP RAIL).
- 4 4" O.D. SCH. 40 CORNER OR END POST.
- 5 LINE POST TOP.
- 6 1 5/8" O.D. SCH. 40 TOP RAIL.
- 7 ADJUSTABLE TRUSS ROD W/ TURNBUCKLE.
- 8 2 1/2" O.D. LINE POST.
- 9 TENSION FLAT BAR, THREAD TENSION BAR TO CHAIN LINK AND ATTACH TO END POST W/ TENSION CLIPS PER MANUF. RECOMMENDATIONS.
- 10 C.I.P. CONCRETE POST FOOTING (TYP.) REFER TO STRUCTURAL DETAIL.
- 11 END POST CAP TO MATCH END POST.
- 12 1 5/8" O.D. SCH.40 INTERMEDIATE RAIL @ ENDS, CORNER MODULES & CHANGE OF DIRECTIONS
- 13 FINISH GRADE.
- 14 BOTTOM KNUCKLED CHAIN LINK FABRIC.

CHAINLINK FENCE 1/4" = 1'-0" DT02FE10 15



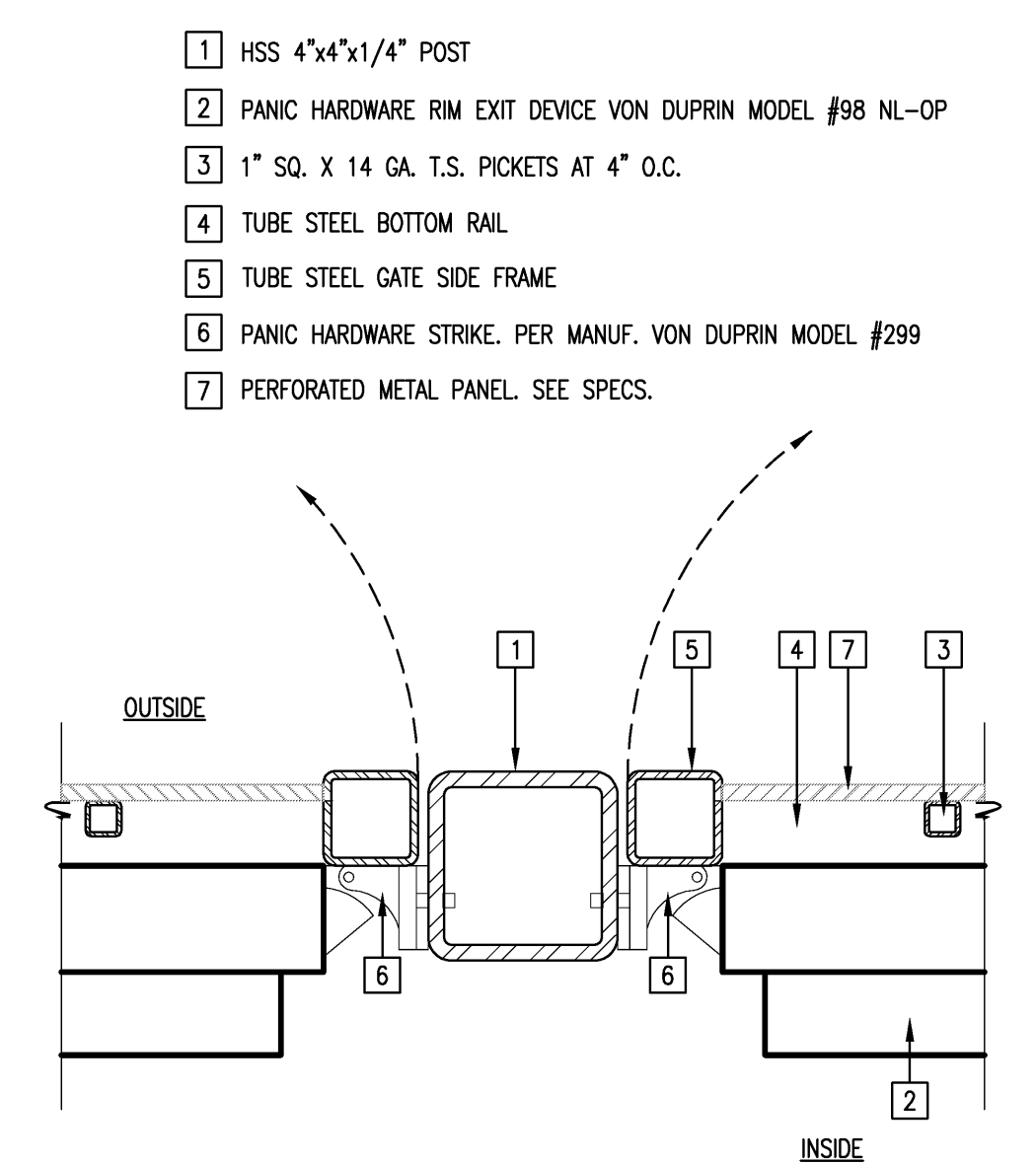
- 1 1" SQ. X 14 GA. T.S. PICKETS
- 2 T.S. GATE FRAME
- 3 1/4" THK. X 10" HIGH STL. KICK PLATE, FILLET WELD TO FRAME, TOP AND BTM. MOUNT FLUSH W/ BTM. OF FRAME, FINISH TO MATCH GATE.
- 4 PERF. METAL SECURITY PANEL WELDED TO PICKETS.

SWING GATE KICK PLATE 6" = 1'-0" DT02S154 11



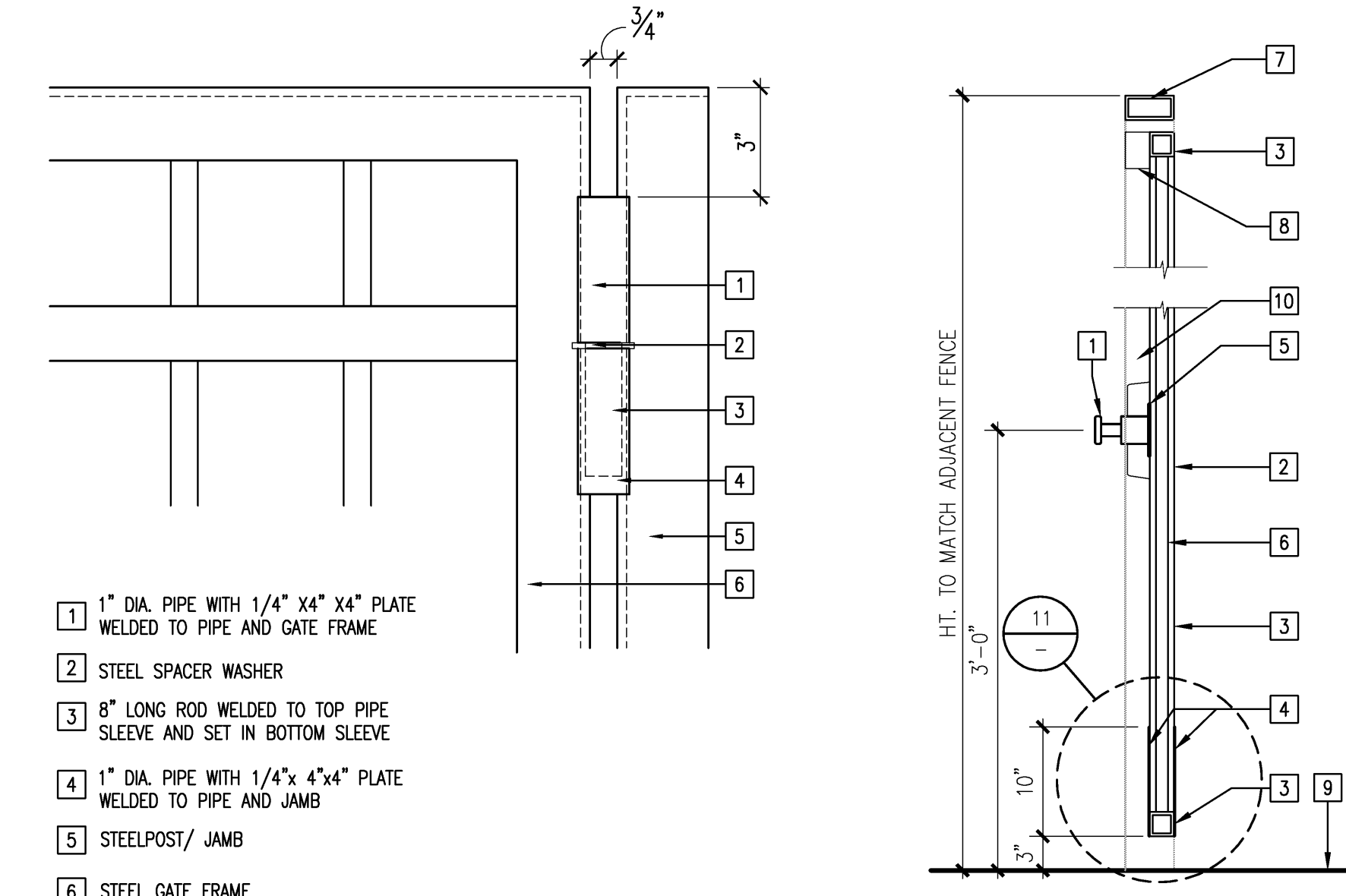
- 1 MOUNT ACCESSIBLE PATH SIGN W/ (2) 5/16" DIA. CARRIAGE BOLTS W/ PEENED THREADS.
- 2 1/2" WIDE BORDER (TYP.)
- 3 DIRECTIONAL ARROW
- 4 1 1/2" SQ. TUBE STEEL POST WITH CAP EMBED 18" INTO 12" DIA. X 24" DEEP CONC. FOOTING. POST TO BE BLACK IN COLOR.
- 5 FINISH GRADE/SURFACE
- 6 4-#5 VERTICALS
- 7 3-#4 TIES

ACCESSIBLE ROUTE DIRECTIONAL SIGN / SIGN FACE TYPES 1 1/2" = 1'-0" DT02SG12 16



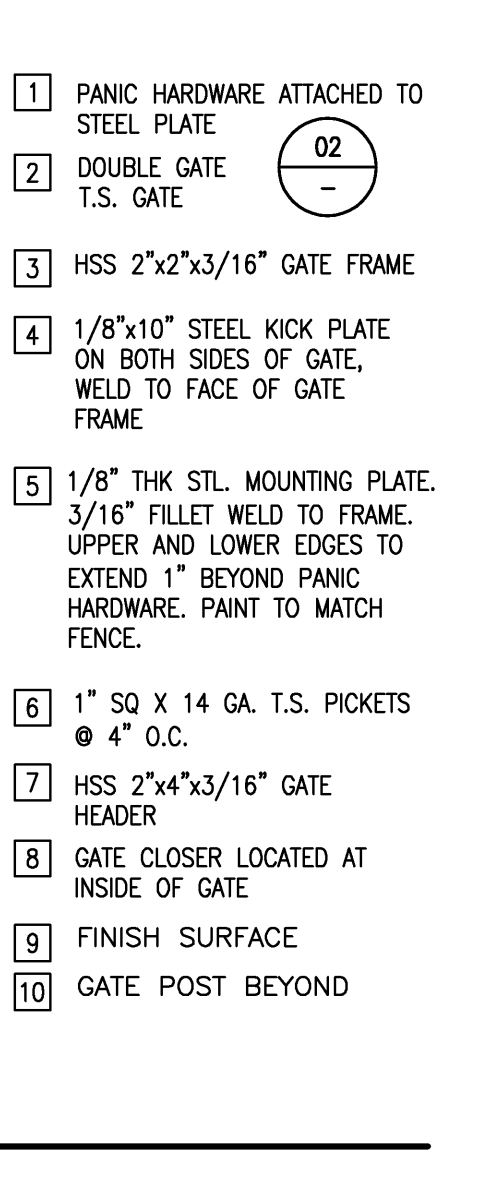
- 1 HSS 4"x4"x1/4" POST
- 2 PANIC HARDWARE RIM EXIT DEVICE VON DUPRIN MODEL #98 NL-OP
- 3 1" SQ. X 14 GA. T.S. PICKETS AT 4" O.C.
- 4 TUBE STEEL BOTTOM RAIL
- 5 TUBE STEEL GATE SIDE FRAME
- 6 PANIC HARDWARE STRIKE, PER MANUF. VON DUPRIN MODEL #299
- 7 PERFORATED METAL PANEL SEE SPECS.

DOUBLE T.S. GATE JAMB DETAIL 3' = 1'-0" DT02S122B 12



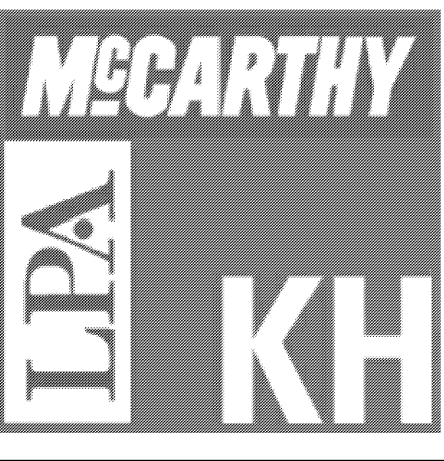
- 1 1" DIA. PIPE WITH 1/4" X4" X4" PLATE WELDED TO PIPE AND GATE FRAME
- 2 STEEL SPACER WASHER
- 3 8" LONG ROD WELDED TO TOP PIPE SLEEVE AND SET IN BOTTOM SLEEVE
- 4 1" DIA. PIPE WITH 1/4" X 4" X 4" PLATE WELDED TO PIPE AND JAMB
- 5 STEELPOST/ JAMB
- 6 STEEL GATE FRAME

HINGE 3' = 1'-0" DT02FE55X 08

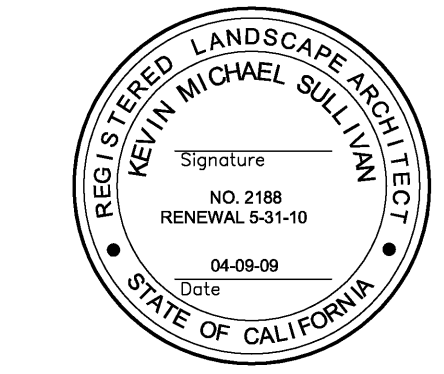


- 1 PANIC HARDWARE ATTACHED TO STEEL PLATE
- 2 DOUBLE GATE T.S. GATE
- 3 HSS 2"x2"x3/16" GATE FRAME
- 4 1/8"x10" STEEL KICK PLATE ON BOTH SIDES OF GATE, WELD TO FACE OF GATE FRAME
- 5 1/8" THK STL. MOUNTING PLATE, 3/16" FILLET WELD TO FRAME, UPPER AND LOWER EDGES TO EXTEND 1" BEYOND PANIC HARDWARE, PAINT TO MATCH FENCE.
- 6 1" SQ. X 14 GA. T.S. PICKETS @ 4" O.C.
- 7 HSS 2"x4"x3/16" GATE HEADER
- 8 GATE CLOSER LOCATED AT INSIDE OF GATE
- 9 FINISH SURFACE
- 10 GATE POST BEYOND

PEDESTRIAN SWING GATE SECTION 1" = 1'-0" TS DR-P 04



McCarthy Building Companies, Inc.
343 Sansome Street, 14th Floor
San Francisco, California 94104
P 415 364-1339
F 415 397-5999



IDENTIFICATION STAMP
DIV. OF THE STATE ARCHITECT
OFFICE OF REGULATION SERVICE
APPL. # 01-110097
DATE: _____ FILE NUMBER: _____

This and all other project documents and all sheets, schedules and change order sheets are the intellectual property of LPA, Inc. (LPA) and shall be used only for the project for which they were prepared. No part of this document may be reproduced or transmitted in any form or by any means, electronic, mechanical, photocopying, recording, or by any information storage and retrieval system, without the prior written consent of LPA. LPA hereby grants a non-exclusive license to the client to use this document for the project only. LPA shall not be held responsible for any errors or omissions in this document. LPA and its consultants shall not be held responsible for any errors or omissions in this document. LPA and its consultants shall not be held responsible for any errors or omissions in this document.

Copyright 2009

College of San Mateo
Site Package
San Mateo, CA
Developed for
San Mateo County Community College District

Revision	Description	Date

Revision	Description	Date

Job No.	27082.30
Date	09 APRIL 2009
Drawn by	AG, RF
Checked by	SM
Scale	AS SHOWN

CONSTRUCTION
DETAILS

L4.04