

FACILITIES MAINTENANCE CENTER-CANADA COLLEGE

4200 FARM HILL BLVD.
REDWOOD CITY, CA 94061

REV. NO.	DATE:

WELDING SCHEDULE

REF: 3/S7.1

DESCRIPTION						CONDITION		
SYMBOL	TYPE	GAGE	FINISH	FILL	SLAB	PERPENDICULAR	PARALLEL	SIDE
	N-24 ROOF DECK	18	G60	NONE	NONE	(4) 3/4" Ø ARC-SPOT WELDS PER SHT @ EA SUPPORT	3/4" Ø ARC-SPOT WELDS @ 12" O.C.	T.S.W. @ 12" O.C.
	N-24 ROOF DECK	16	G60	NONE	NONE	(4) 3/4" Ø ARC-SPOT WELDS PER SHT @ EA SUPPORT	3/4" Ø ARC-SPOT WELDS @ 12" O.C.	T.S.W. @ 12" O.C.
	HSB-36 ROOF DECK	18	G60	NONE	NONE	(4) 3/4" Ø ARC-SPOT WELDS PER SHT @ EA SUPPORT	3/4" Ø ARC-SPOT WELDS @ 24" O.C.	T.S.W. @ 24" O.C.

MATERIAL DESCRIPTION AND PROFILE

PIECES @ LENGTH
3" DEEP X 24" WIDE TYPE N-24, 18 GA., G60, METAL ROOF DECK. MANUFACTURED BY: VERCO

PIECES @ LENGTH
3" DEEP X 24" WIDE TYPE N-24, 16 GA., G60, METAL ROOF DECK. MANUFACTURED BY: VERCO

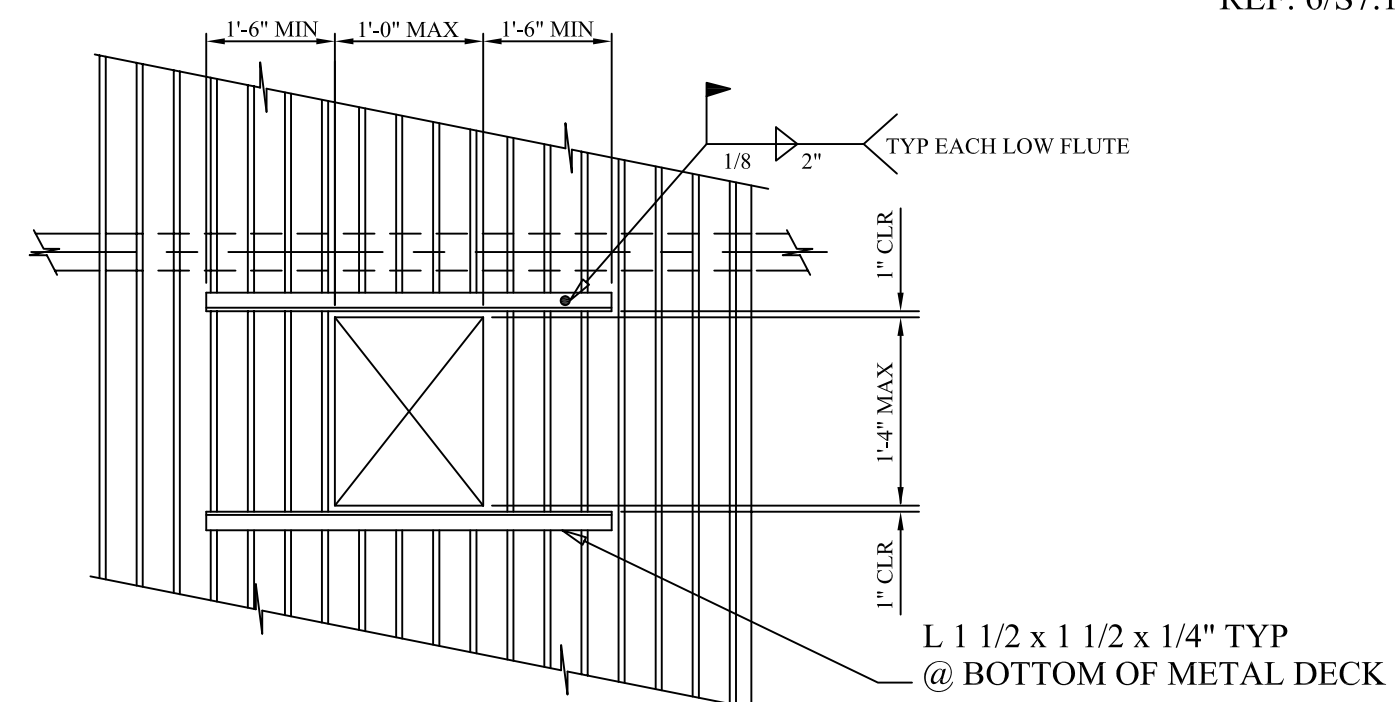
PIECES @ LENGTH
1 1/2" DEEP X 36" WIDE TYPE HSB-36, 18 GA., G60, METAL ROOF DECK. MANUFACTURED BY: VERCO

FLASHING LIST

ALL FLASHING PIECES TO BE 10'-0" LONG U. O. N.

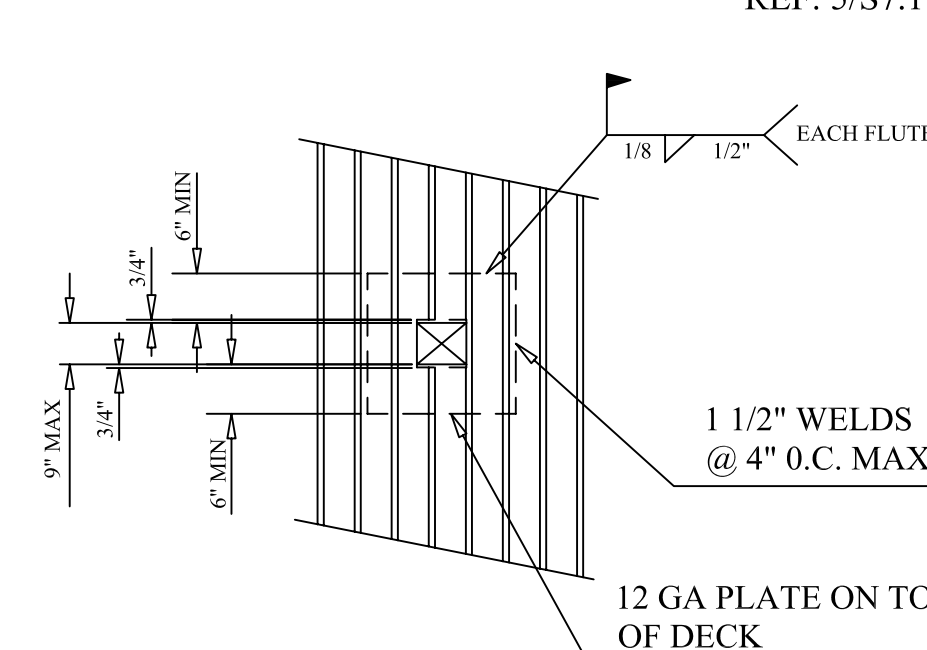
MEDIUM OPENINGS 1' TO 1'-4"

REF: 6/S7.1



SMALL OPENINGS 9" MAX

REF: 5/S7.1



LEGEND

- (1) FLASHING TYPE
- QUANTITY
- DECK SPREAD TYPE OF DECK
- DECK SPREAD START POINT
- METAL DECK AT BUTTED ENDS
- METAL DECK AT LAPPED ENDS
- DETAIL NO. / SHEET NO.
- DECK BUNDLE NO.
- METAL DECK AT LAPPED ENDS

METAL DECK CANNOT BE ORDERED UNTIL ALL REQUIRED INFORMATION HAS BEEN SUPPLIED.

APPROVAL OF OUR SHOP DRAWINGS OR PLACING DETAILS BY THE ARCHITECT OR ENGINEER SHALL BE REGARDED AS A FINAL INTERPRETATION OF ALL OTHER DOCUMENTS WITH RESPECT TO SUCH DRAWINGS OR DETAILS, AND CONSTITUTES AUTHORITY FOR B.T. MANCINI CO. TO FURNISH MATERIALS IN ACCORDANCE WITH THESE DRAWINGS AND/OR DETAILS.

FACILITIES MAINTENANCE CENTER
CANADA COLLEGE
METAL DECK COVER SHEET

B.T. MANCINI CO. INC.
476 S. MILPITAS BLVD. MILPITAS, CA. (408)942-7900

TITLE: FACILITIES MAINT. CTR.-CANADA COLLEGE
 JOB ADDRESS: 4200 FARM HILL BLVD. REDWOOD CITY, CA 94061

CONTRACTOR: JOHN PLANE CONSTRUCTION INC.
 JOB NO. 04-2553 SCALE: NONE

DRAWN BY: CHRIS HOLLAND DATE: 21 FEB 08
 CHECKED BY: P.C./K.A. DATE: XX XXX 08

DATE SUBMITTED: _____ DATE APPROVED: _____

SHEET 1 OF 3