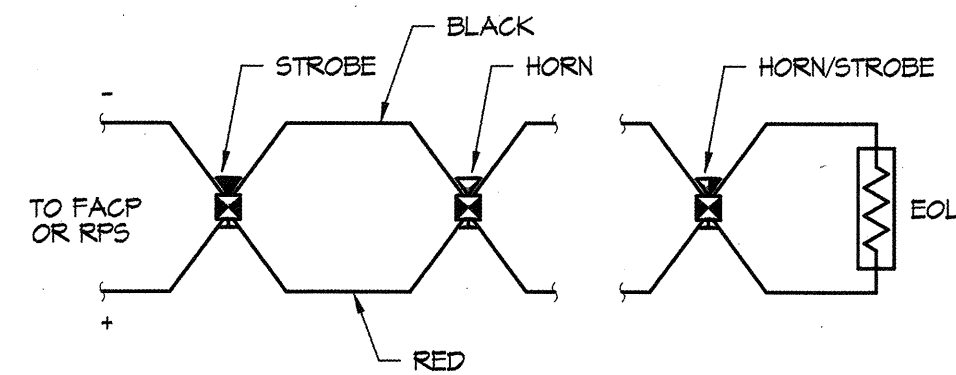
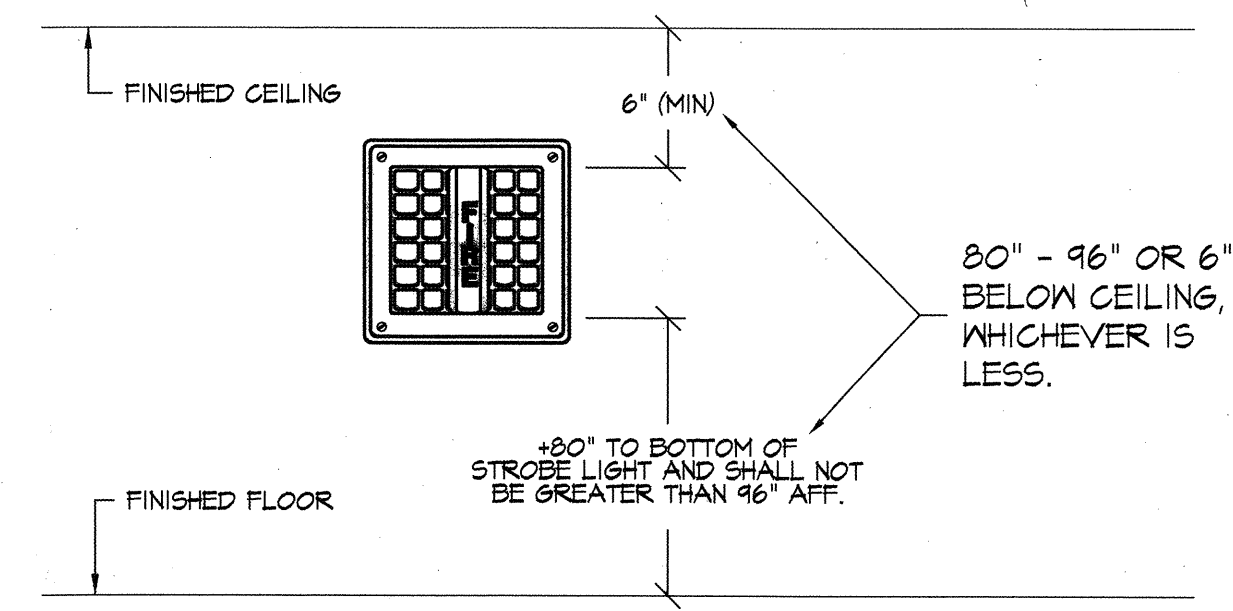


ALL IDEAS, DESIGNS, ARRANGEMENTS, AND PLANS INDICATED OR REPRESENTED BY THIS DRAWING ARE OWNED BY AND THE PROPERTY OF VERDE DESIGN, INC. AND WERE CREATED, DEVELOPED, AND DERIVED FOR USE ON AND IN CONNECTION WITH THE SPECIFIED PROJECT. NONE OF SUCH IDEAS, DESIGNS, ARRANGEMENTS OR PLANS SHALL BE USED, REPRODUCED, OR PUBLISHED BY ANY METHOD, IN WHOLE OR IN PART, OR DISCLOSED TO ANY PERSON, FIRM, OR CORPORATION FOR ANY PURPOSE WITHOUT WRITTEN PERMISSION OF VERDE DESIGN, INC.



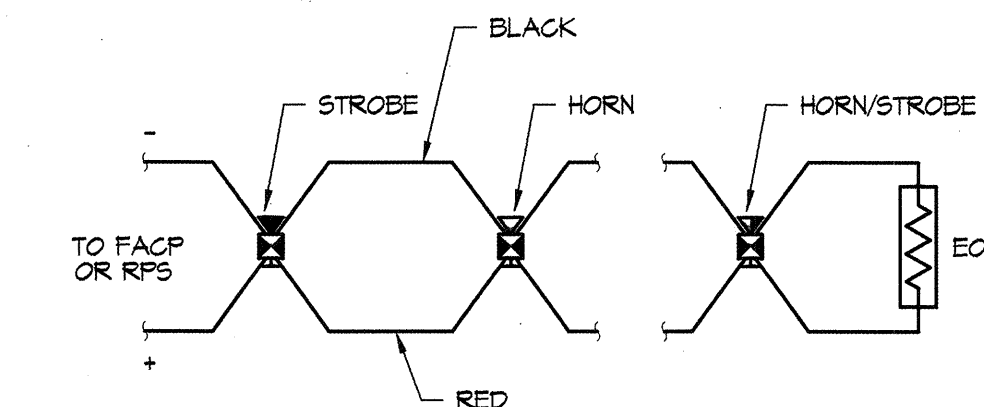
TYPICAL NOTIFICATION DEVICE WIRING DIAGRAM



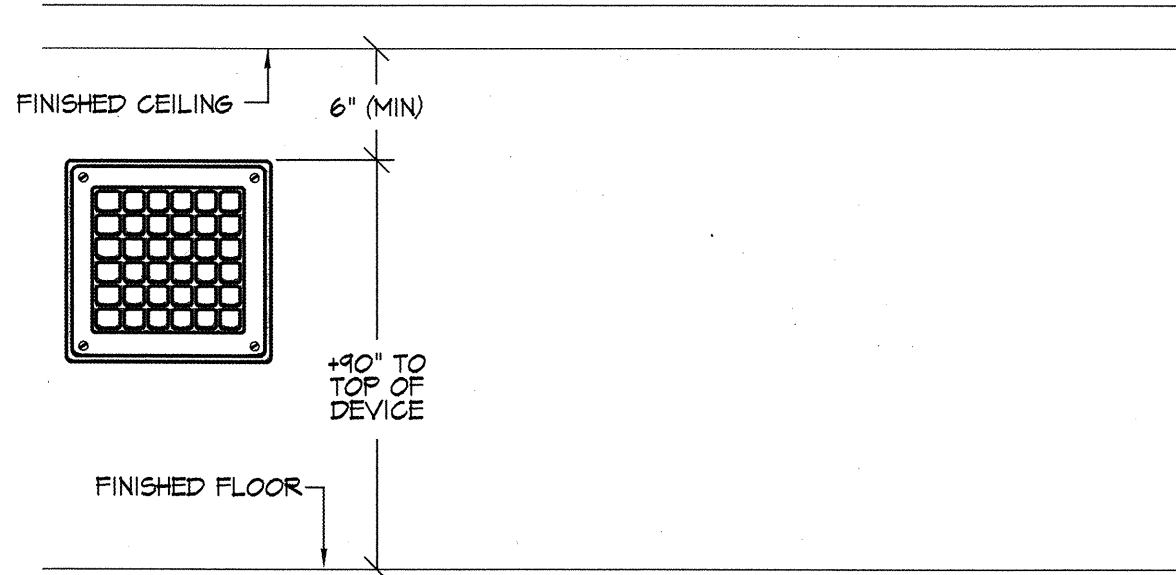
NOTE: SURFACE MOUNTED DEVICES SHALL BE PROVIDED WITH THE MANUFACTURERS RECOMMENDED SURFACE MOUNTED BACKBOX.

1 AUDIBLE/VISUAL DEVICE INSTALLATION DETAIL

FA4.1 NOT TO SCALE



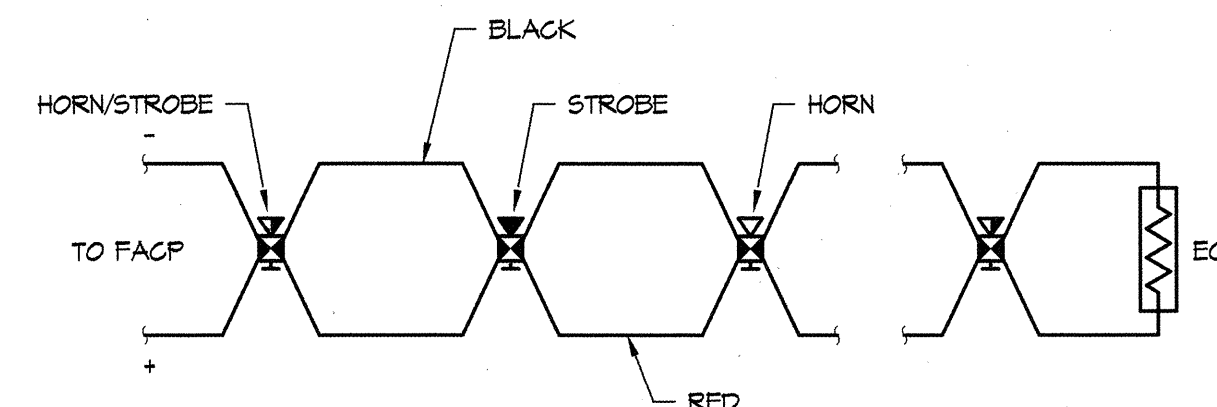
TYPICAL NOTIFICATION DEVICE WIRING DIAGRAM



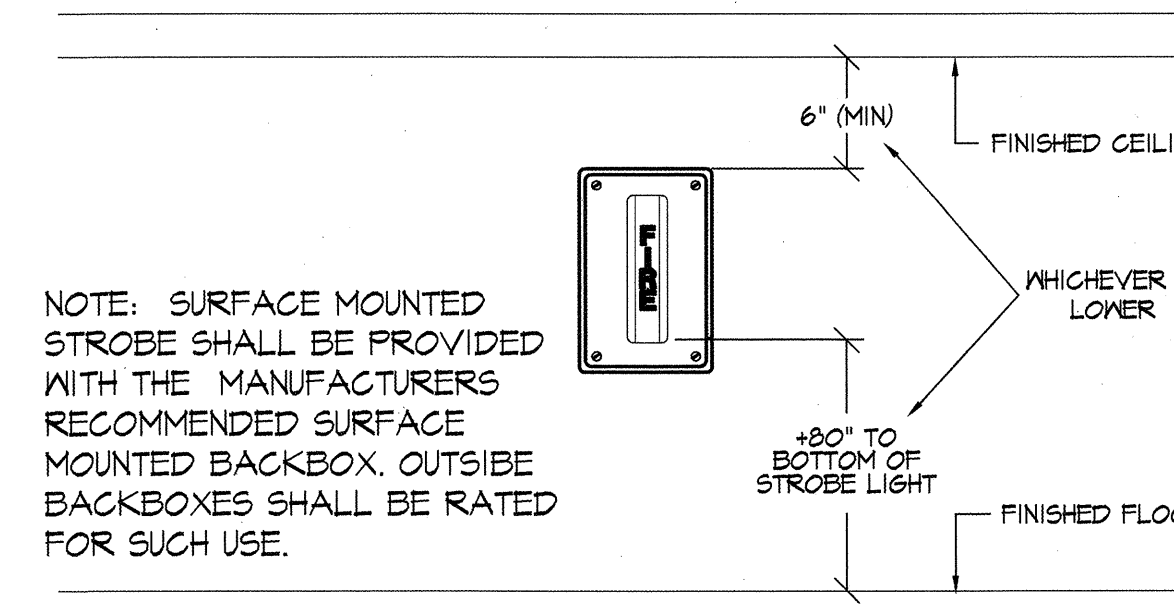
NOTE: SURFACE MOUNTED HORN SHALL BE PROVIDED WITH THE MANUFACTURERS RECOMMENDED SURFACE MOUNTED BACKBOX. OUTSIDE BACKBOXES SHALL BE RATED FOR SUCH USE.

2 AUDIBLE DEVICE INSTALLATION DETAIL

FA4.1 NOT TO SCALE



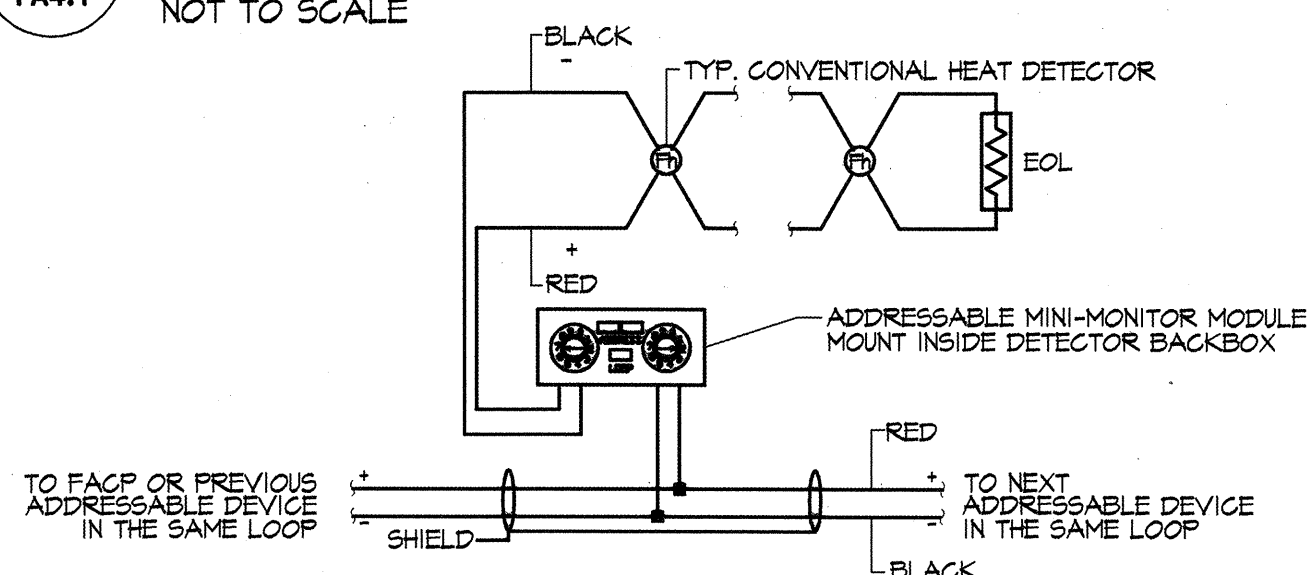
TYPICAL STROBE WIRING DIAGRAM



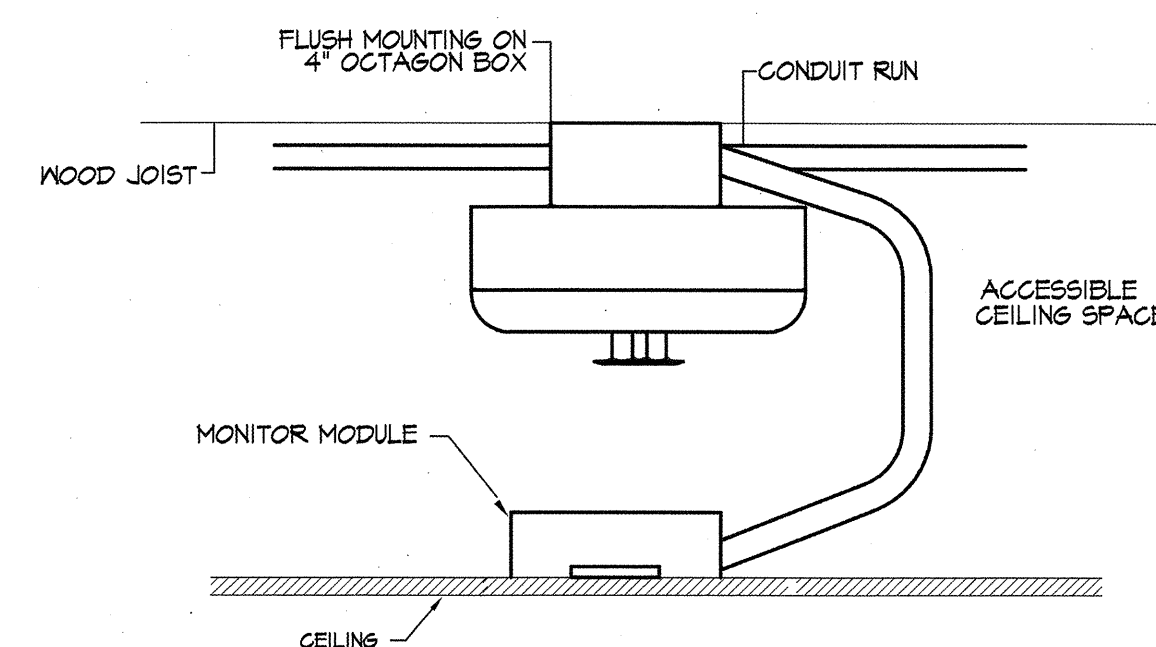
NOTE: SURFACE MOUNTED STROBE SHALL BE PROVIDED WITH THE MANUFACTURERS RECOMMENDED SURFACE MOUNTED BACKBOX. OUTSIDE BACKBOXES SHALL BE RATED FOR SUCH USE.

3 VISUAL DEVICE INSTALLATION DETAIL

FA4.1 NOT TO SCALE

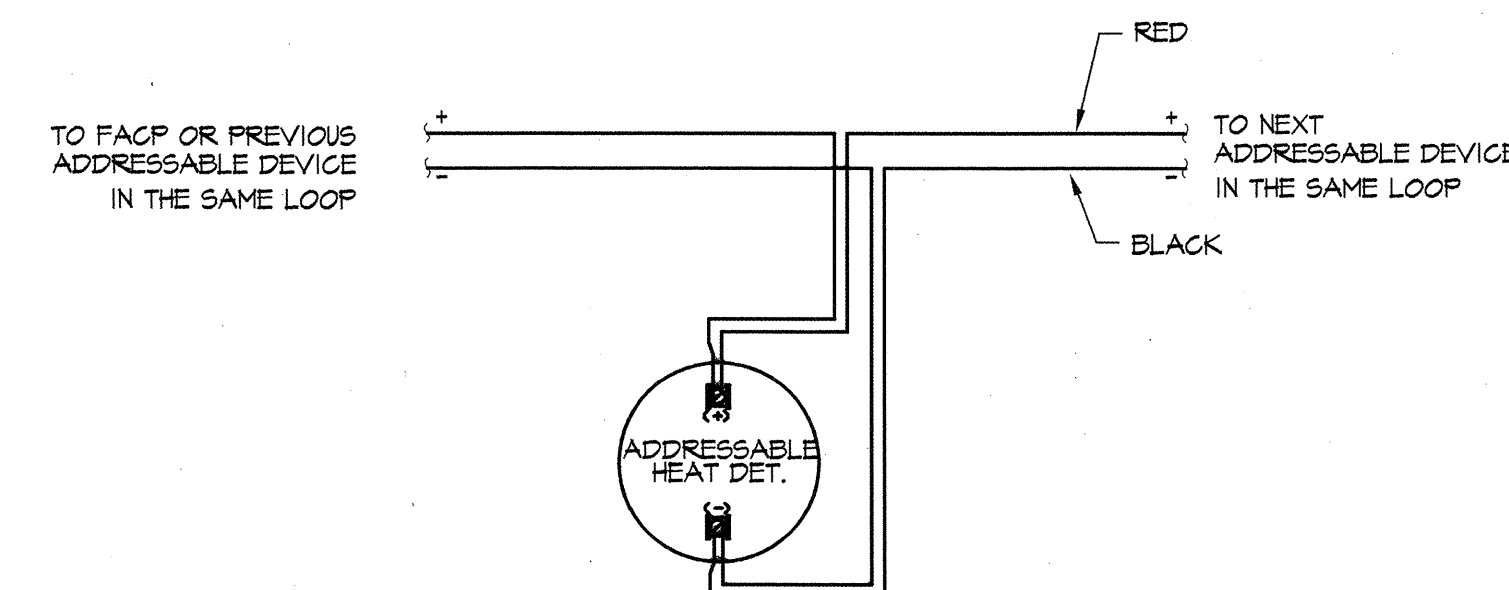


TYPICAL CONVENTIONAL HEAT DETECTOR WITH ADDRESSABLE MONITOR MODULE WIRING DIAGRAM

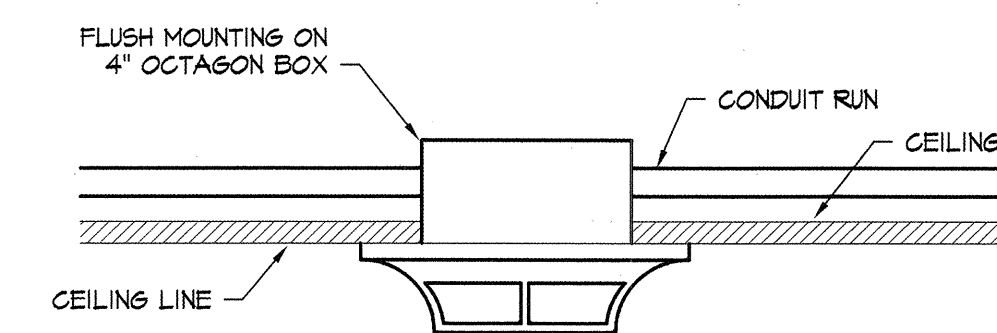


4 HEAT DETECTOR MOUNTING DETAIL (ABOVE CEILING)

FA4.1 NOT TO SCALE

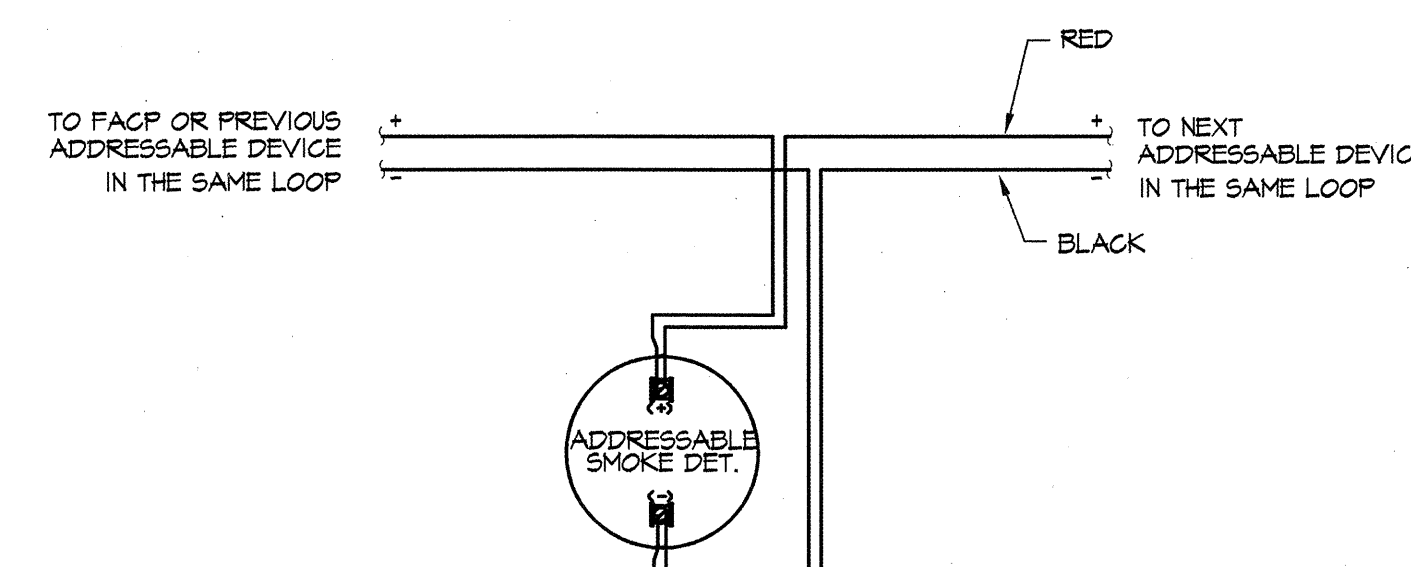


TYPICAL ADDRESSABLE HEAT DETECTOR WIRING DIAGRAM

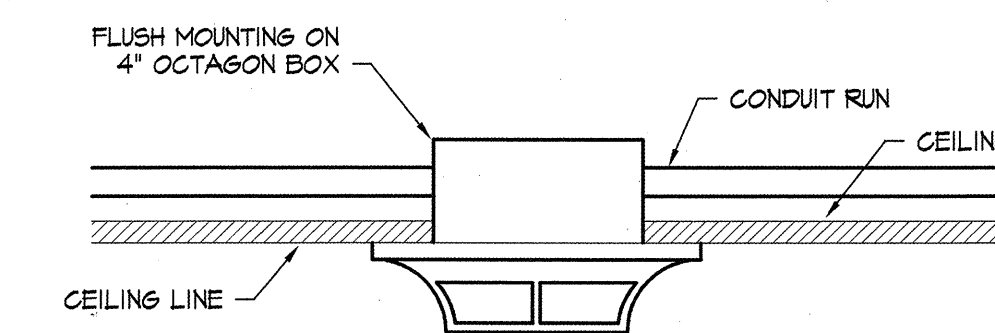


5 HEAT DETECTOR MOUNTING DETAIL

FA4.1 NOT TO SCALE

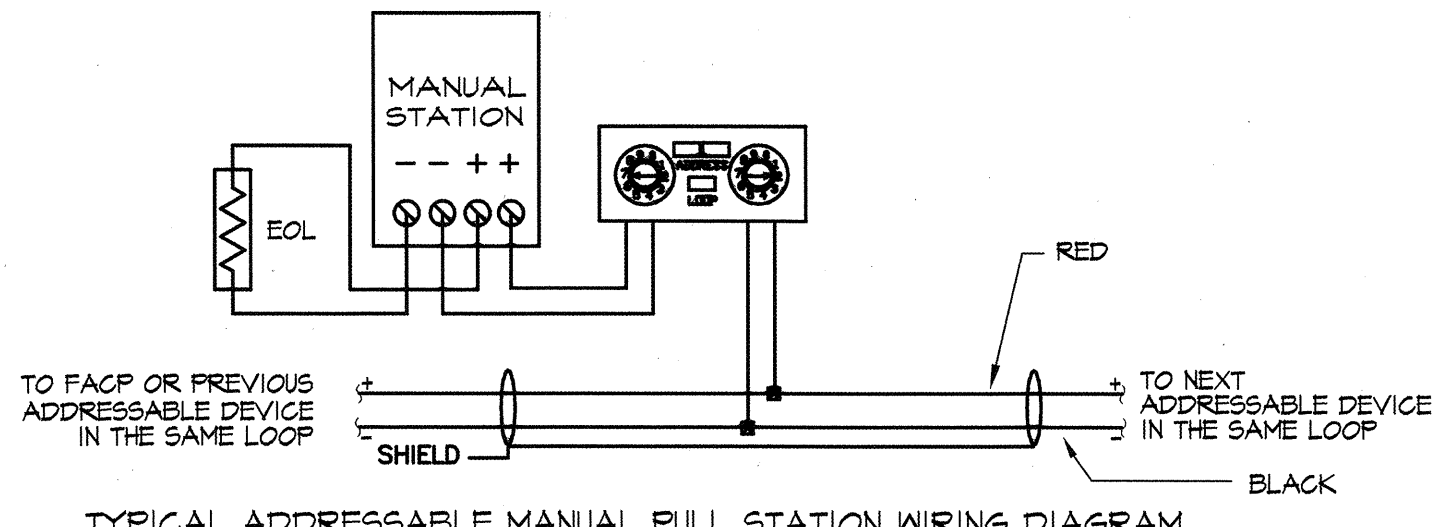


TYPICAL ADDRESSABLE SMOKE DETECTOR WIRING DIAGRAM

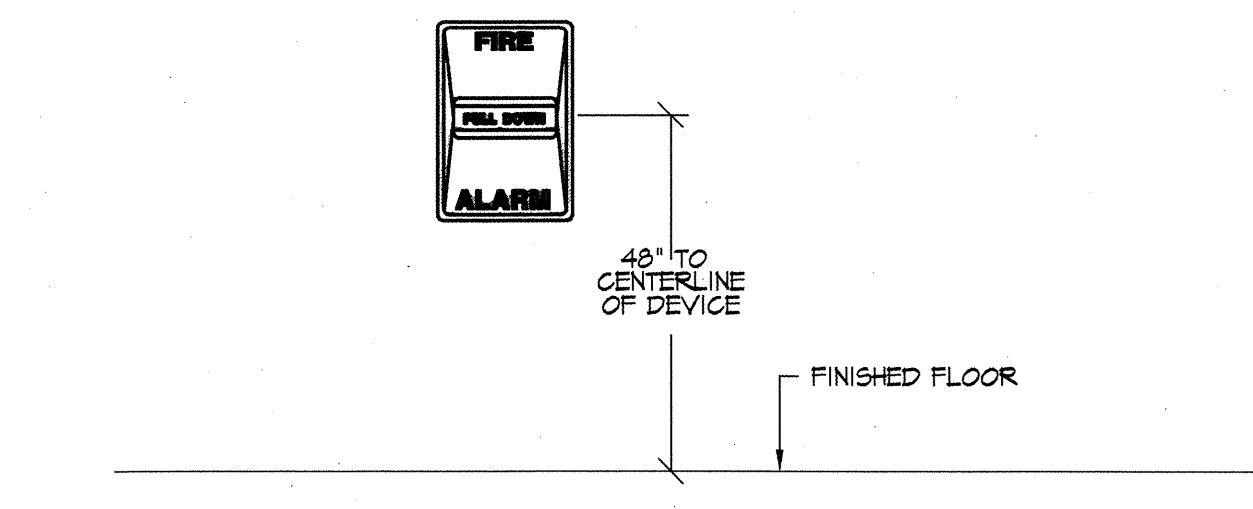


6 SMOKE DETECTOR MOUNTING DETAIL

FA4.1 NOT TO SCALE

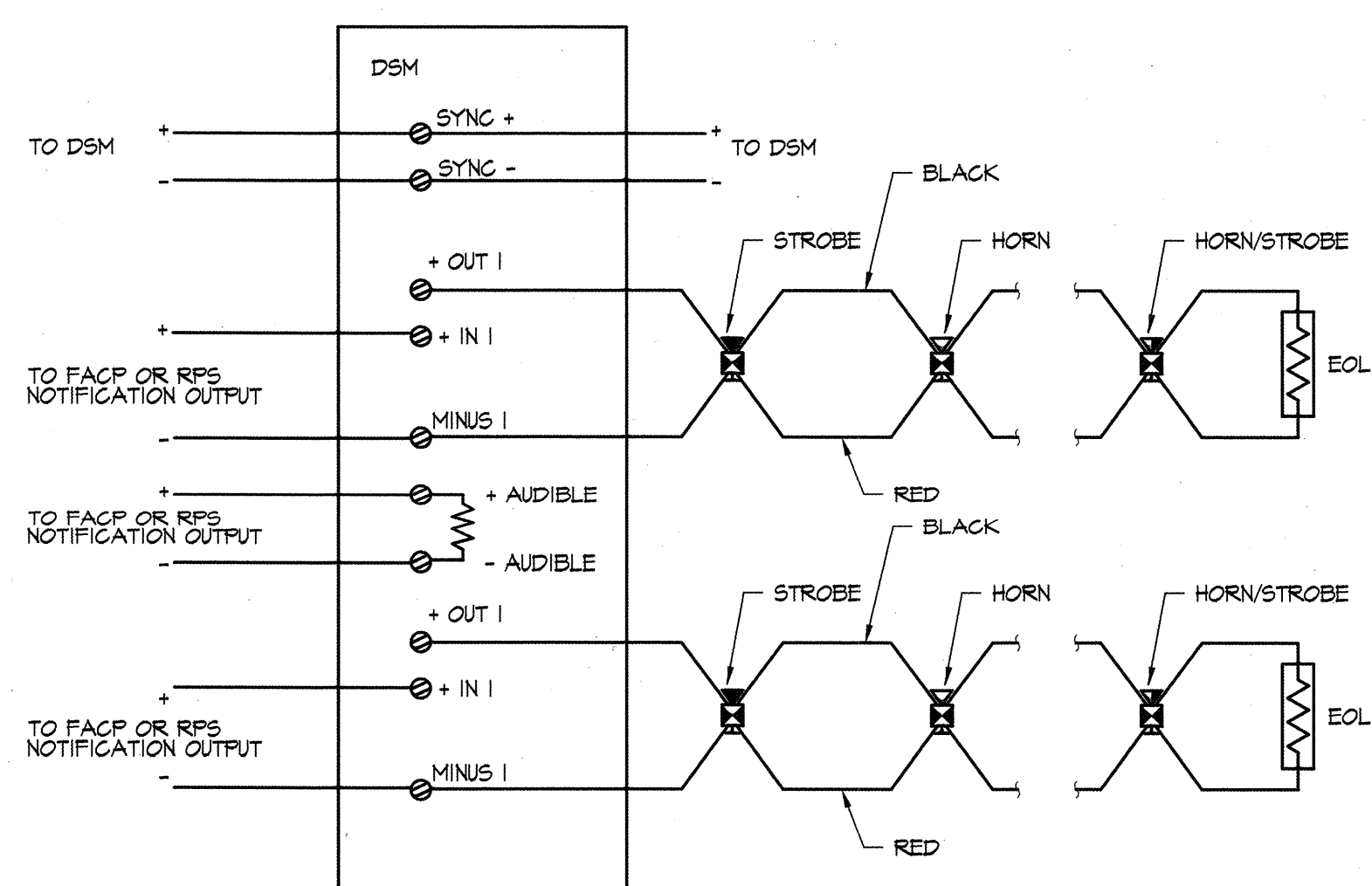


TYPICAL ADDRESSABLE MANUAL PULL STATION WIRING DIAGRAM



7 MANUAL PULL STATION INSTALLATION DETAIL

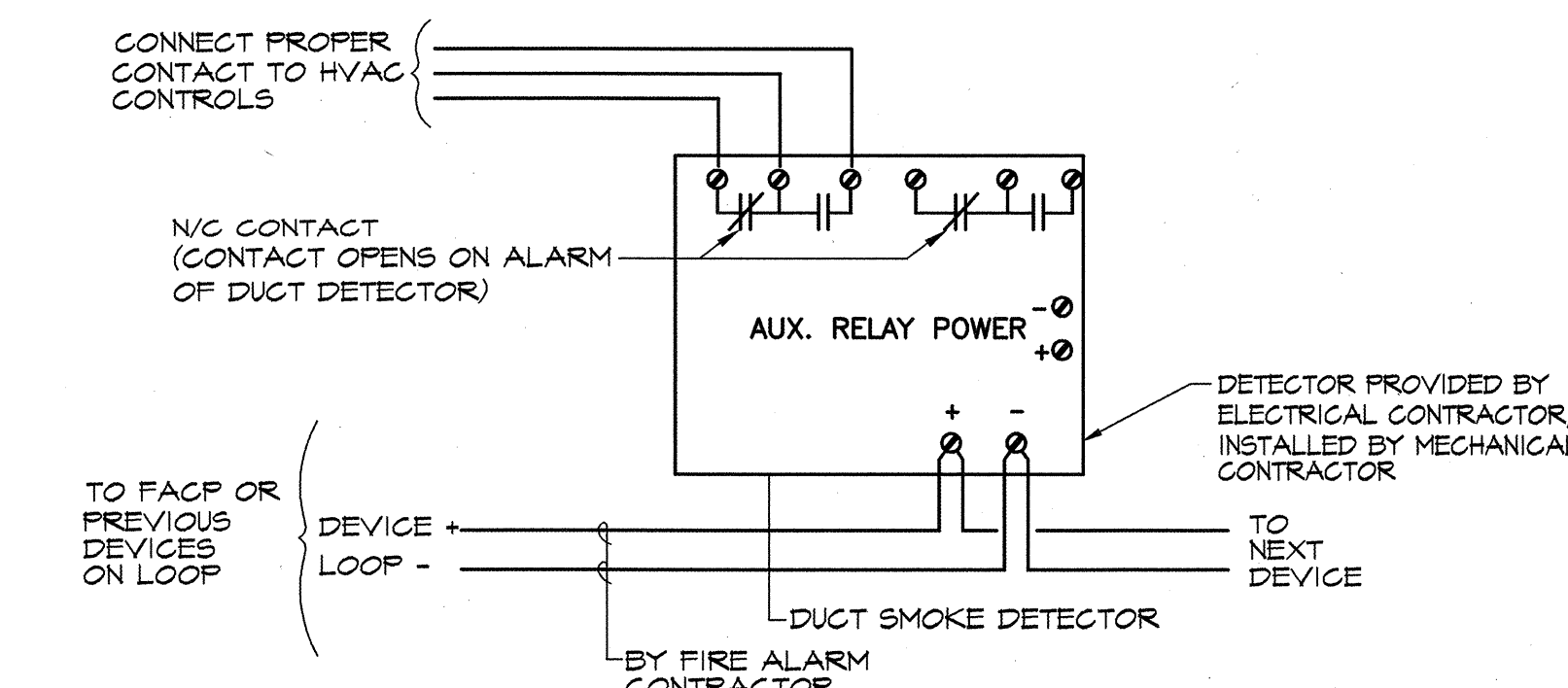
FA4.1 NOT TO SCALE



REFER TO MANUFACTURERS INSTALLATION MANUAL FOR ADDITIONAL REQUIREMENTS AND UPDATES

8 SYNC MODULE TYPICAL CONNECTION

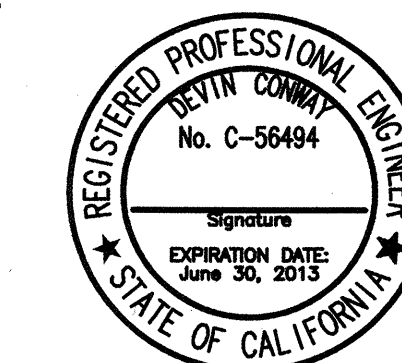
FA4.1 NOT TO SCALE



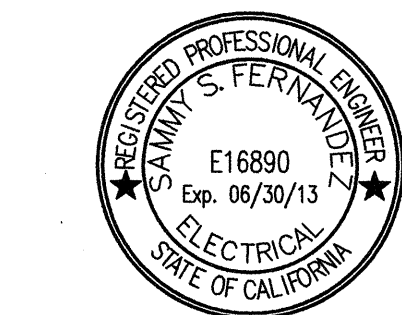
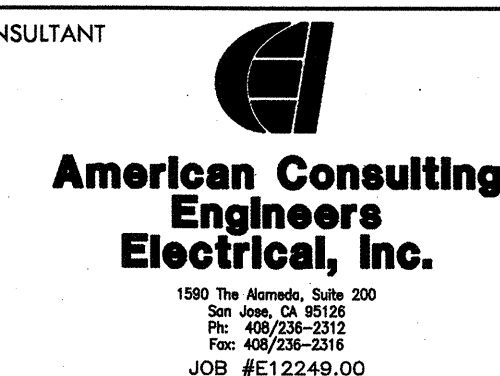
9 DUCT SMOKE DETECTOR TYPICAL CONNECTION

FA4.1 NOT TO SCALE

STAMP



CONSULTANT



SHEET TITLE

FIRE ALARM DETAILS

PROJECT NAME

CANADA COLLEGE TENNIS FACILITY IMPROVEMENTS

PROJECT ADDRESS

**4200 FARM HILL BLVD
REDWOOD CITY, CA 94061**

SUBMITTAL	DATE
90%	07/30/12
BID SUBMITTAL	08/21/12
ADDENDUM ONE	08/31/12
CONFORM SET	09/24/12

NO.	REVISIONS	DATE

DRAWN BY MM	CHECKED BY SF
DATE ISSUED 08/21/12	SCALE AS NOTED
PROJ. NO. 1207300-1281	
SHEET NO. FA4.1	
39 OF 39 SHEETS	