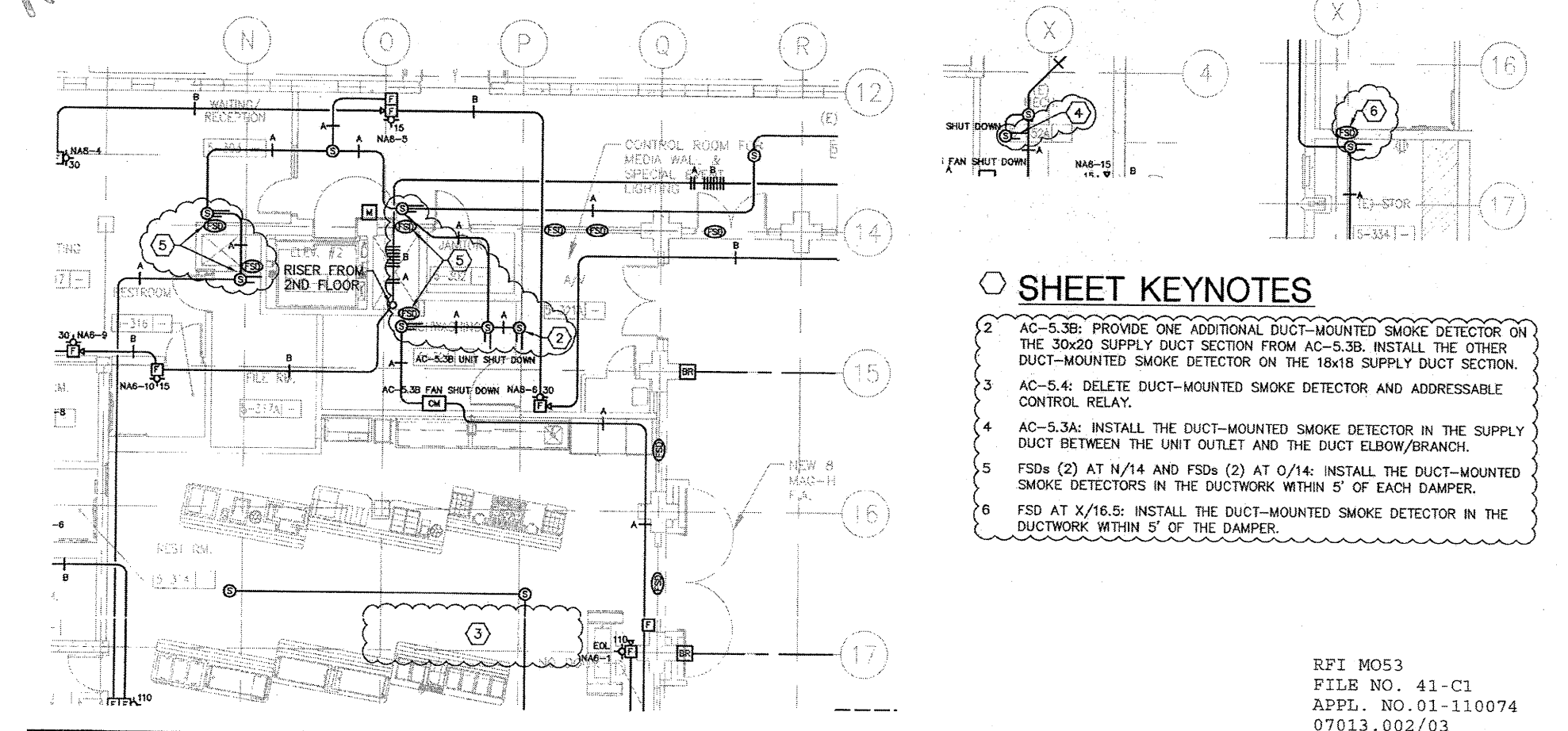


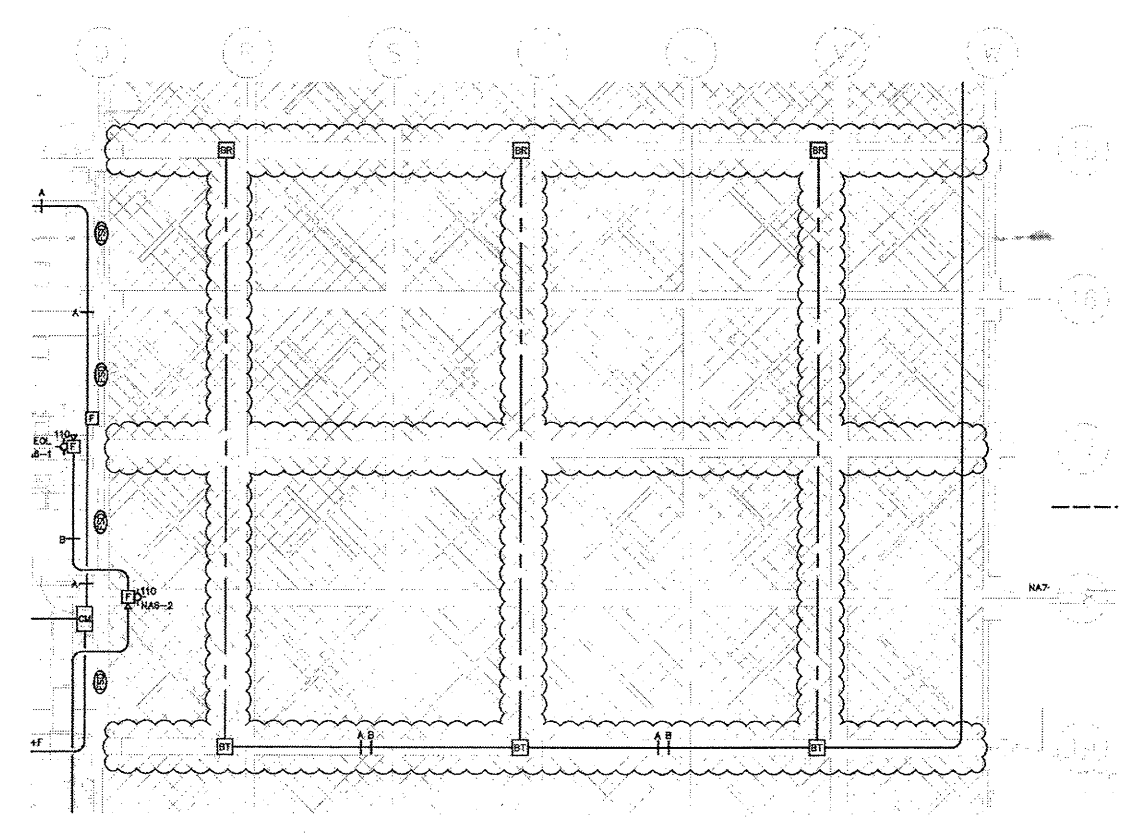
RFP-56



- SHEET KEYNOTES**
- 2 AC-3.3B PROVIDE ONE ADDITIONAL DUCT-MOUNTED SMOKE DETECTOR ON THE SMOKE SUPPLY DUCT SECTION FROM AC-3.3B. INSTALL THE OTHER DUCT-MOUNTED SMOKE DETECTOR ON THE HABS SUPPLY DUCT SECTION.
  - 3 AC-3.4 DELETE DUCT-MOUNTED SMOKE DETECTOR AND ADDRESSABLE CONTROL RELAY.
  - 4 AC-3.3A INSTALL THE DUCT-MOUNTED SMOKE DETECTOR IN THE SUPPLY DUCT BETWEEN THE UNIT OUTLET AND THE DUCT ELBOW/BRANCH.
  - 5 FSDN (2) AT H/1.4 AND FSDN (2) AT G/1.4. INSTALL THE DUCT-MOUNTED SMOKE DETECTORS IN THE OUTSIDE WELLS OF EACH DAMPER.
  - 6 FSD AT K/1.5. INSTALL THE DUCT-MOUNTED SMOKE DETECTOR IN THE OUTSIDE WELLS OF THE DAMPER.

<b>BCA</b> CONSULTING ENGINEERS 4250 FARM HILL BOULEVARD REDWOOD CITY, CA 94061 TEL: 650-754-1100 FAX: 650-754-1101 WWW.BCA-CA.COM	PROJECT <b>FIRE ALARM PLAN - THIRD FLOOR</b> CLIENT <b>CANADA COLLEGE - BUILDINGS 5 &amp; 6 RENOVATIONS</b> 4250 FARM HILL BOULEVARD REDWOOD CITY, CA 94061 FILE NO. 43-C1 APPL. 01-110074	DESIGNER <b>INTERFASIS</b> CONSULTING ENGINEERS 1000 S. FAY AVENUE SAN ANTONIO, TX 78204 TEL: 214-343-8800 FAX: 214-343-8801 WWW.INTERFASIS.COM	DATE <b>12/16/10</b>	SHEET NO. <b>FASK-04</b>
	APPROVED BY 	APPROVED BY 	APPROVED BY 	APPROVED BY 

RFP-72



<b>BCA</b> CONSULTING ENGINEERS 4250 FARM HILL BOULEVARD REDWOOD CITY, CA 94061 TEL: 650-754-1100 FAX: 650-754-1101 WWW.BCA-CA.COM	PROJECT <b>FIRE ALARM PLAN - THIRD FLOOR</b> CLIENT <b>CANADA COLLEGE - BUILDINGS 5 &amp; 6 RENOVATIONS</b> 4250 FARM HILL BOULEVARD REDWOOD CITY, CA 94061 FILE NO. 43-C1 APPL. 01-110074	DESIGNER <b>INTERFASIS</b> CONSULTING ENGINEERS 1000 S. FAY AVENUE SAN ANTONIO, TX 78204 TEL: 214-343-8800 FAX: 214-343-8801 WWW.INTERFASIS.COM	DATE <b>12/16/10</b>	SHEET NO. <b>FASK-05</b>
	APPROVED BY 	APPROVED BY 	APPROVED BY 	APPROVED BY 