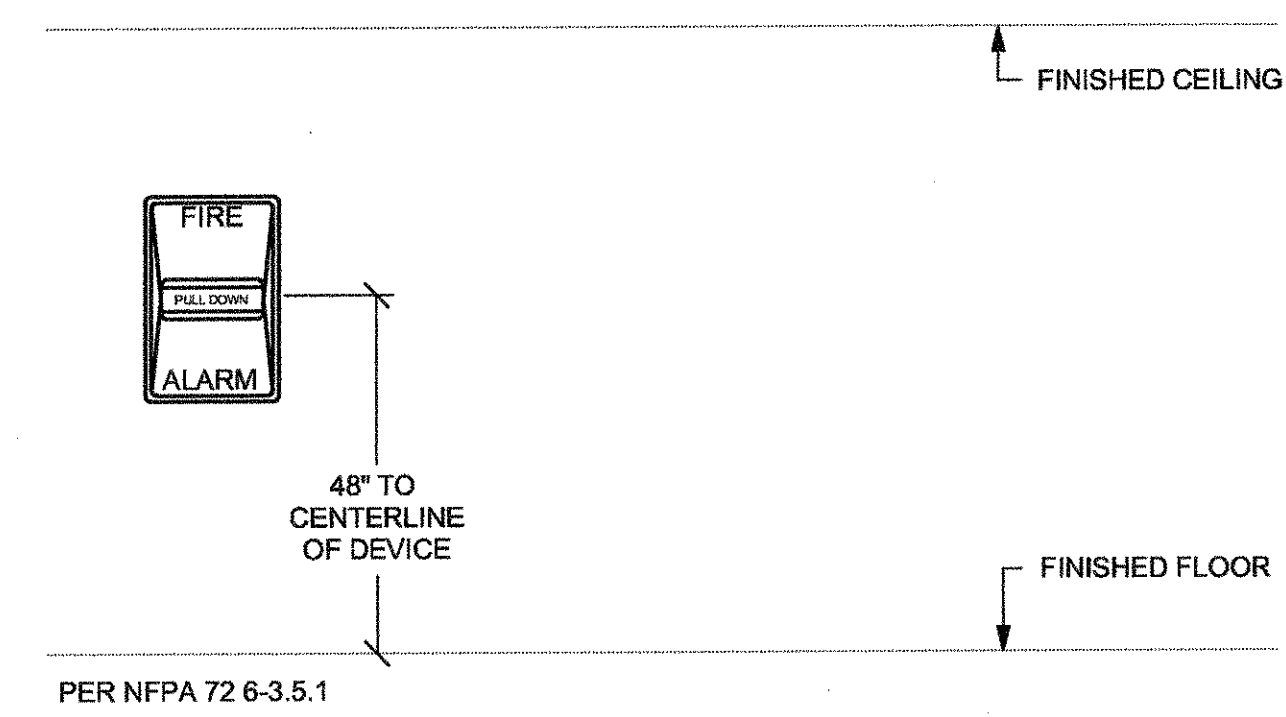
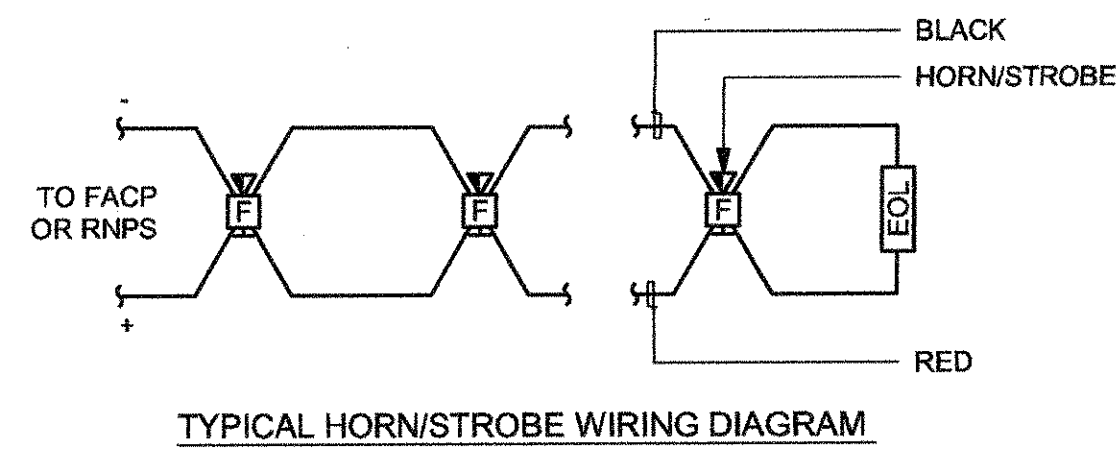


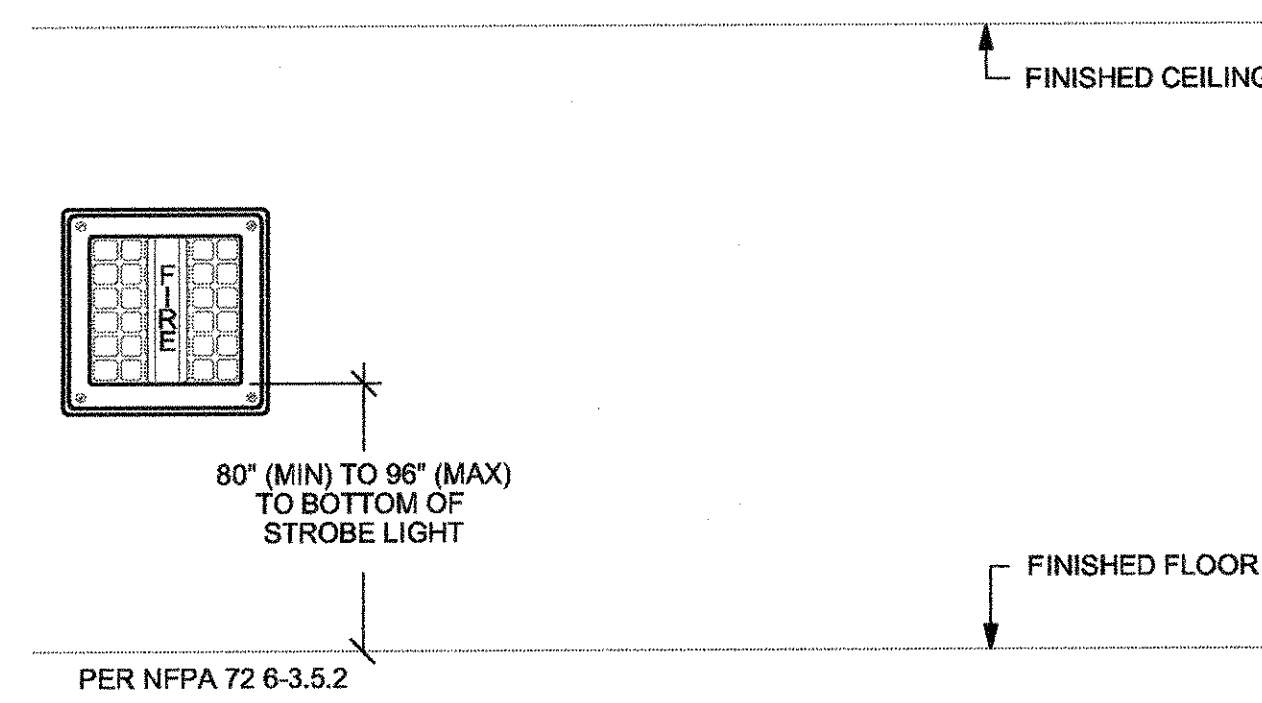
TYPICAL MANUAL PULL STATION WIRING DIAGRAM



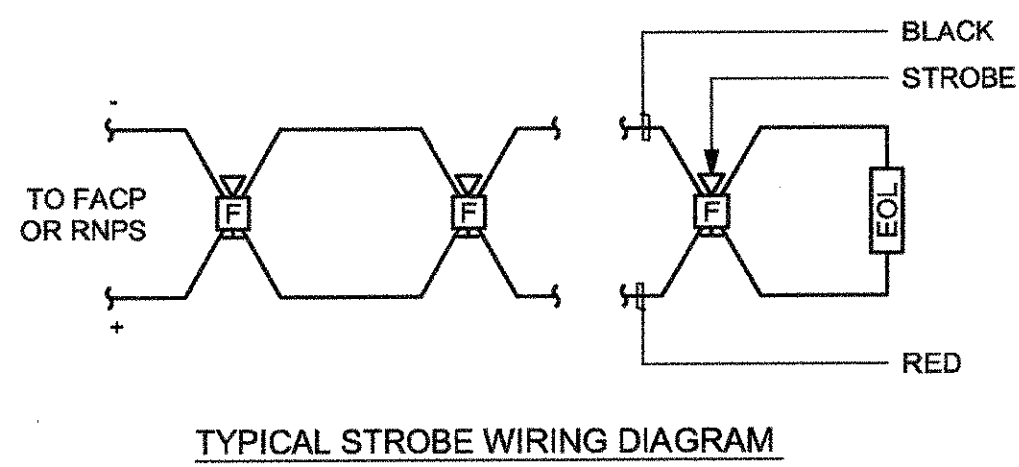
**1 MANUAL PULL STATION INSTALLATION**  
NOT TO SCALE



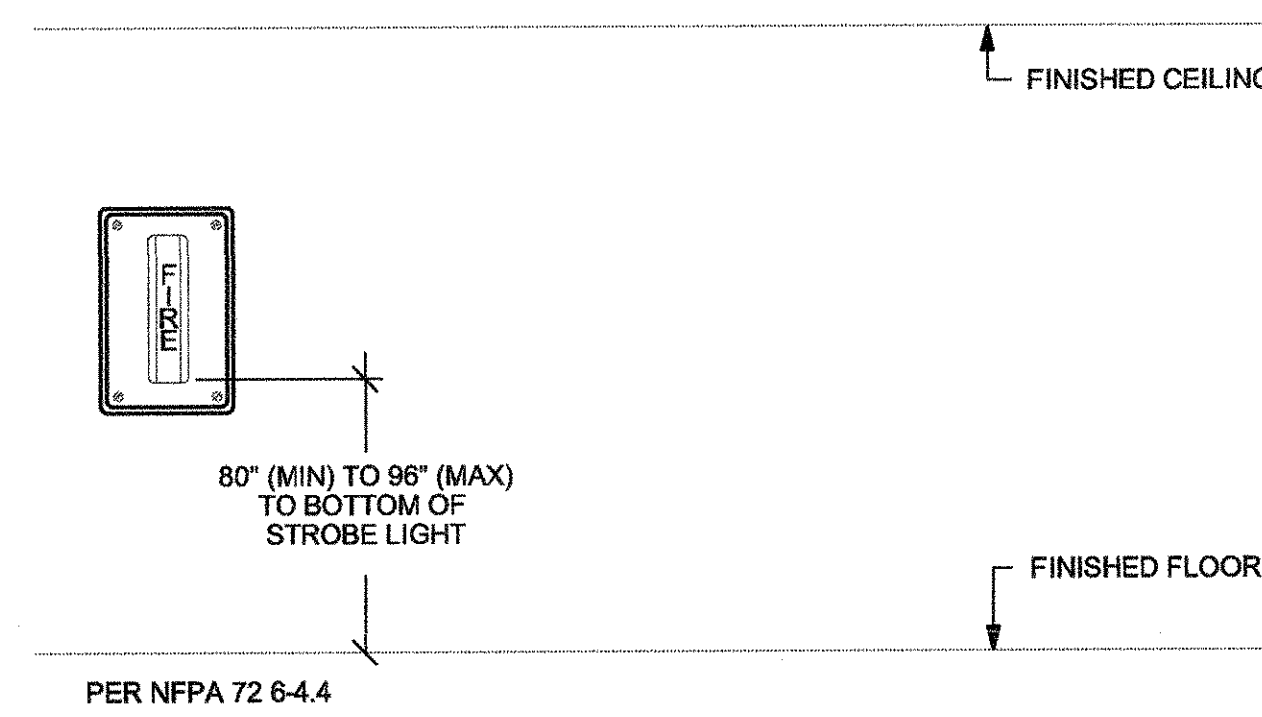
TYPICAL HORN/STROBE WIRING DIAGRAM



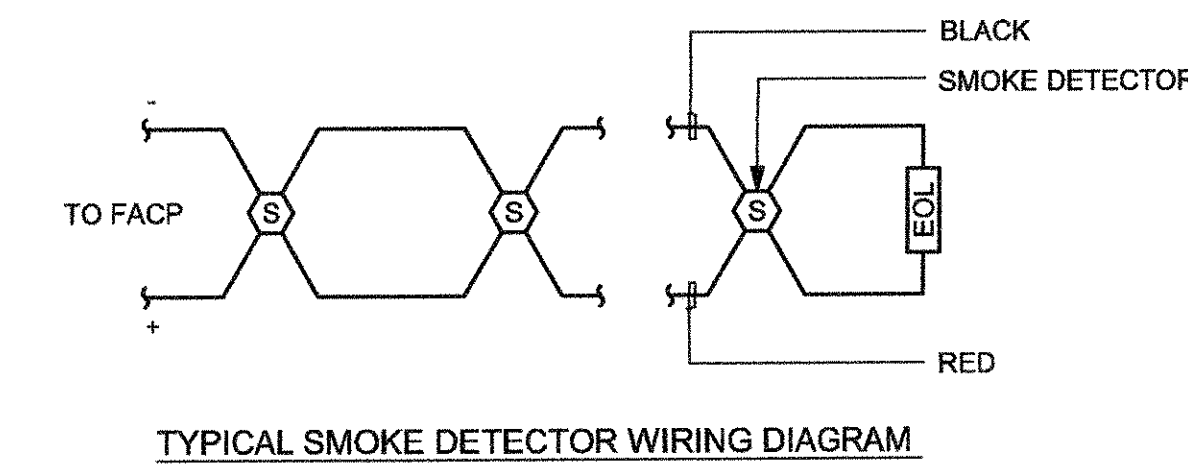
**5 2 WIRE HORN/STROBE INSTALLATION**  
NOT TO SCALE



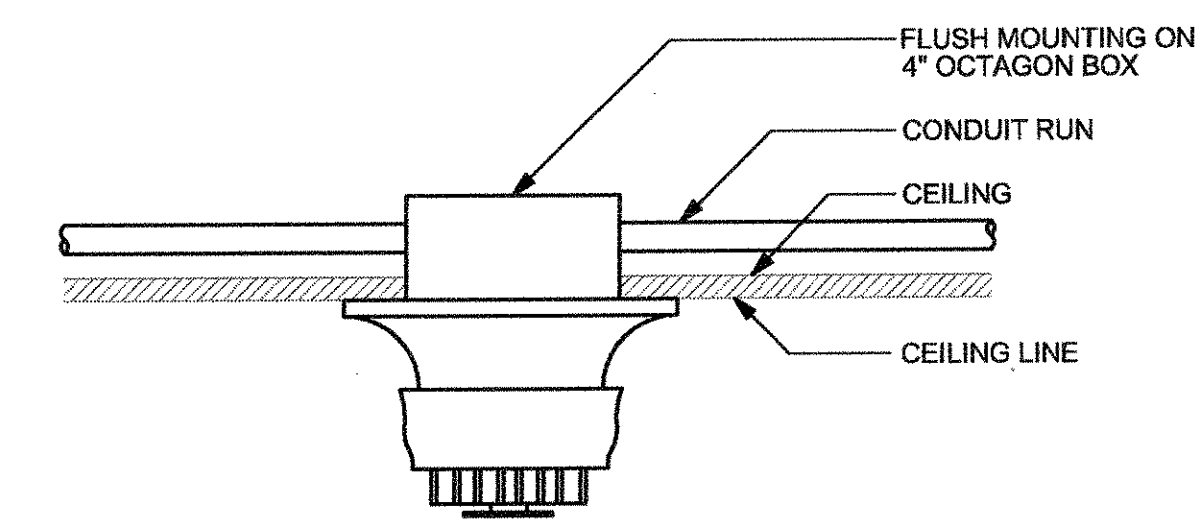
TYPICAL STROBE WIRING DIAGRAM



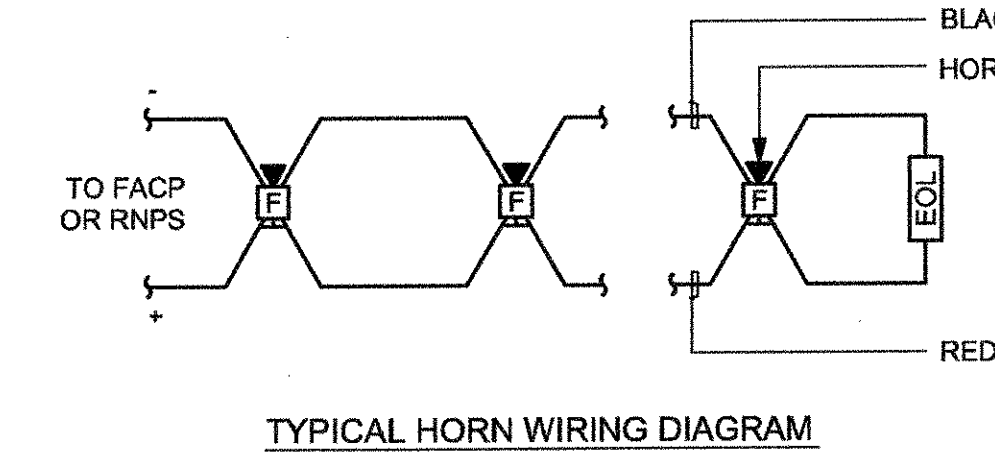
**6 STROBE INSTALLATION**  
NOT TO SCALE



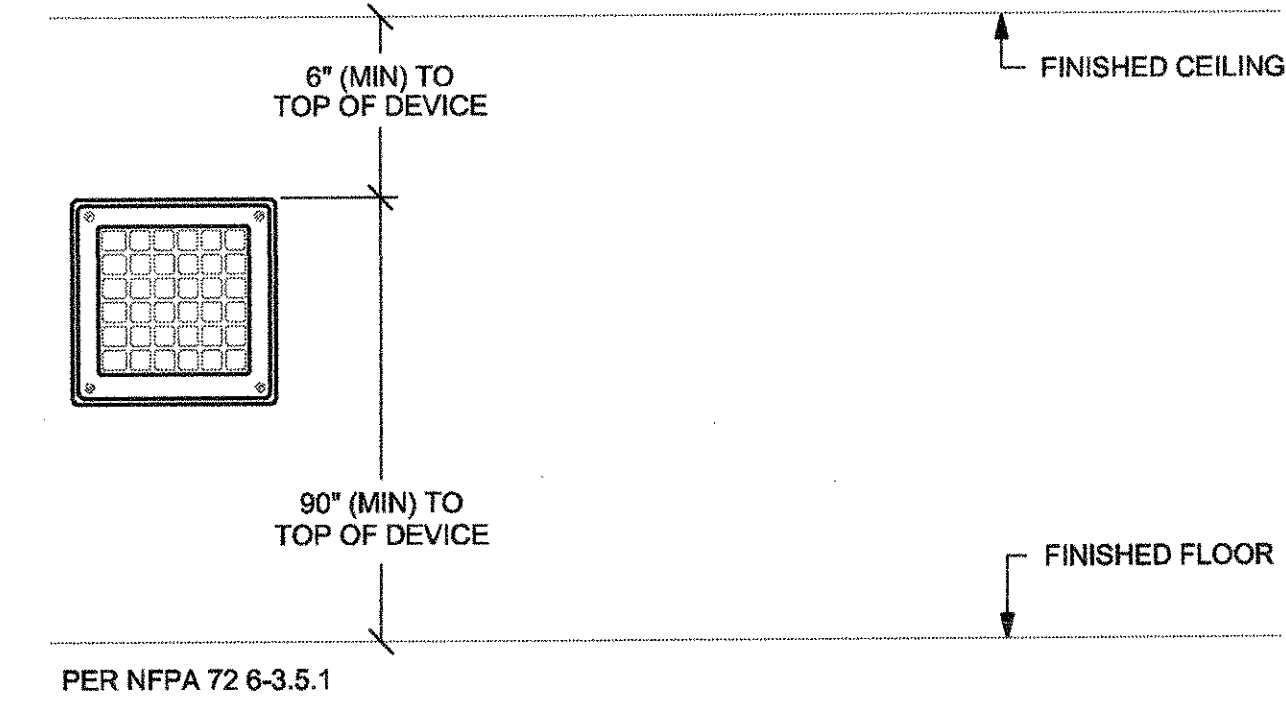
TYPICAL SMOKE DETECTOR WIRING DIAGRAM



**2 SMOKE DETECTOR INSTALLATION**  
NOT TO SCALE



TYPICAL HORN WIRING DIAGRAM



**3 HORN INSTALLATION**  
NOT TO SCALE

DSA SUBMITTAL - 02.13.04

**Sugimura & Associates Architects**  
 Architecture • Interiors  
 Landscape Architecture  
 2155 South Bascom Ave., Suite 200  
 Campbell, CA 95008  
 408-879-0600 Fx 408-377-6066  
 COPYRIGHT © 2001 Sugimura & Associates/Architects

**INTEGRATED DESIGN ASSOCIATES INC.**  
 CONSULTING ELECTRICAL ENGINEERS  
 2140 S. LA CHA BOWMAN, SUITE 119  
 SAN JOSE, CA 95128  
 (408) 263-2800, (415) 193-3881

IDENTIFICATION STAMP  
 OFFICE OF REGULATION SERVICES  
 APP. NO. SS  
 FILE NO. TSS  
 DATE  
 Division of the State Architect  
 Regional Office  
 Oakland, CA 94612



**GENERAL INFORMATION**  
 SKYLINE COLLEGE SWING SPACE  
 PERMIT PACKAGE #3  
 SKYLINE COLLEGE  
 3300 COLLEGE DRIVE  
 SAN BRUNO, CA 94066

REVISIONS		
NO.	ITEM	DATE
1	CONSTRUCTION ISSUE	6/10/04

CLIENT APPROVAL:  
 DRAWN BY: RCS  
 CHECKED BY: SMF  
 JOB NO: 2163.002 DATE: 5 FEB. 2004

**F5.0**  
 OF 39 SHEETS