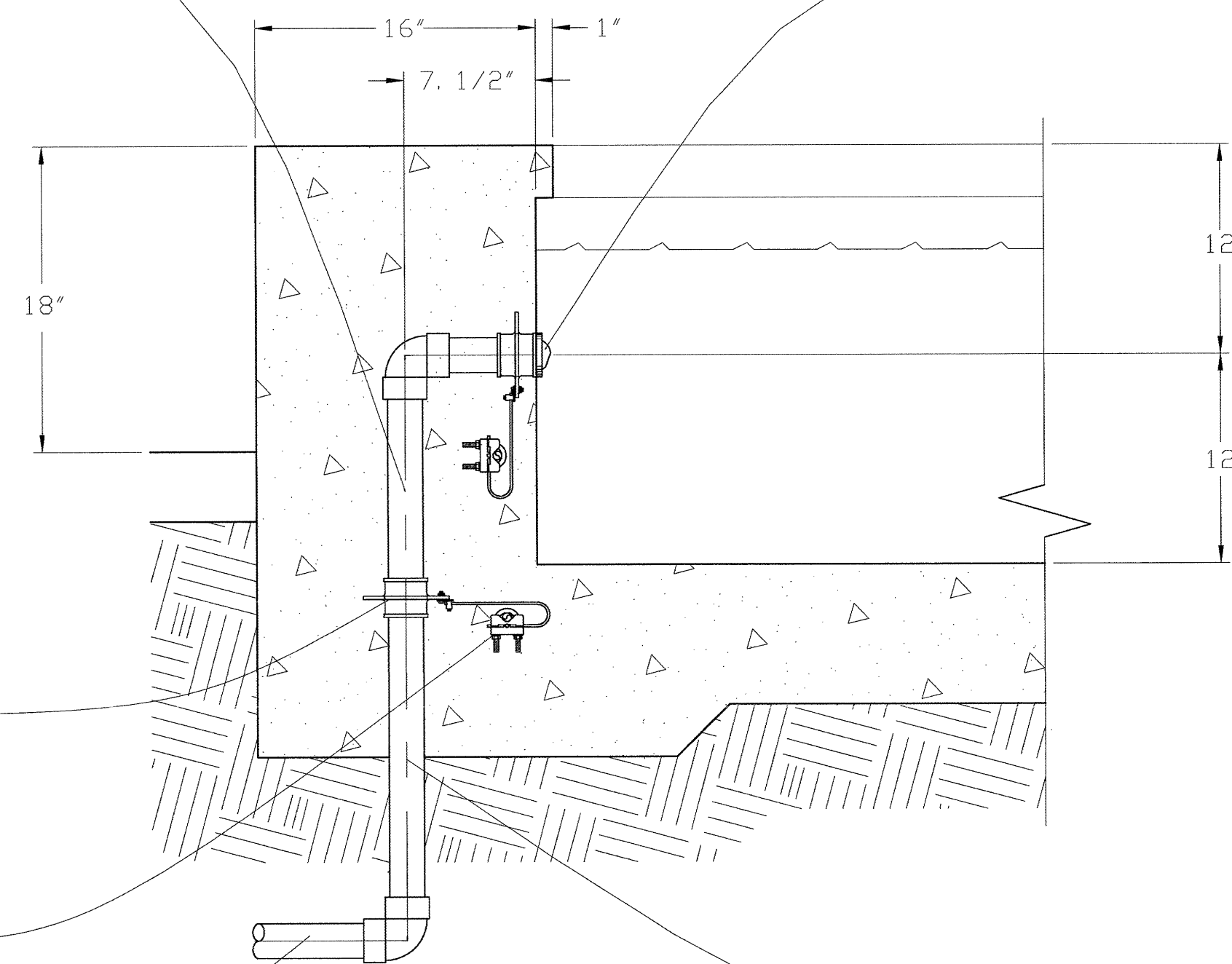


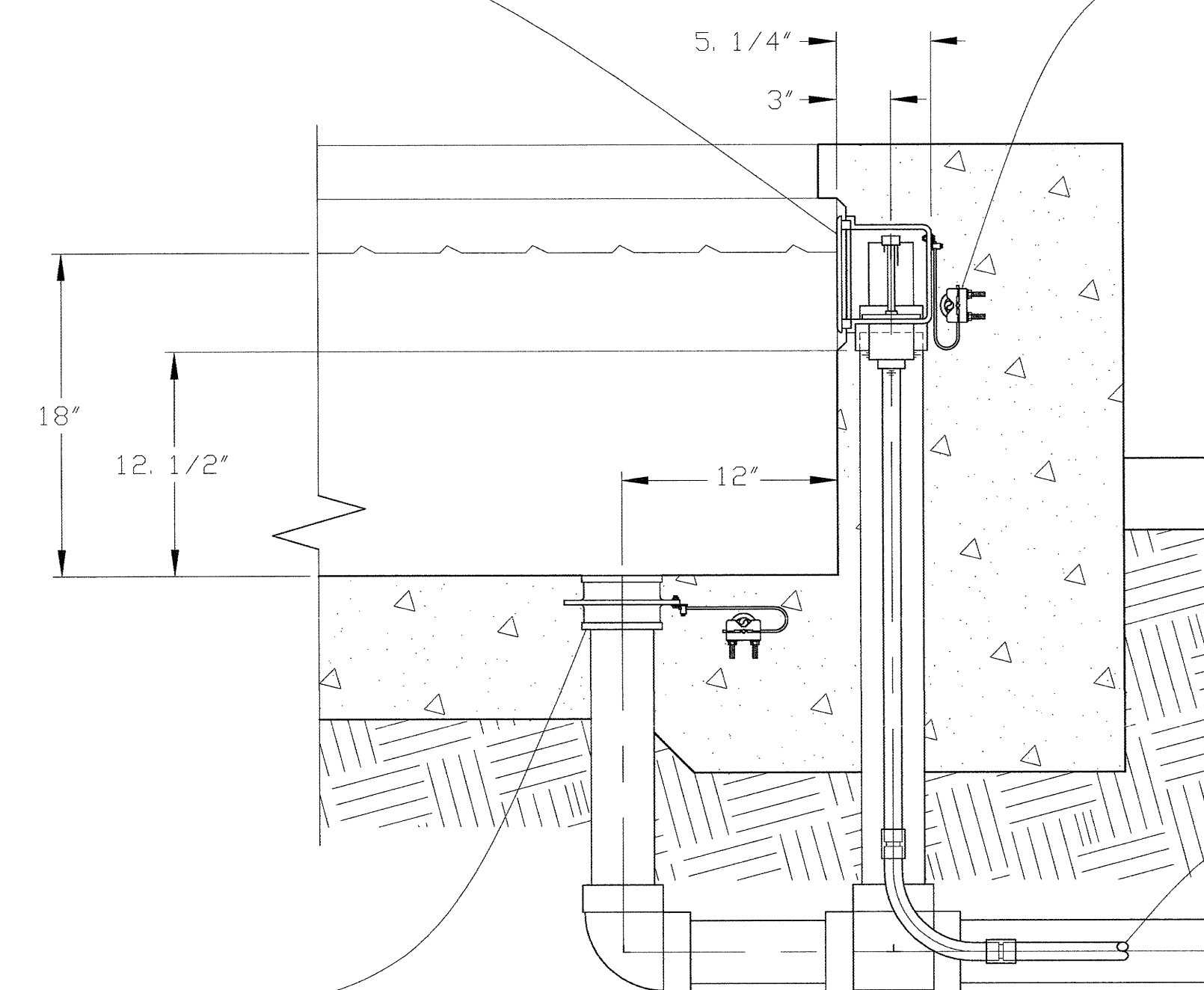
SCH. 80 PVC PIPING USED IN CONCRETE.



Section thru Pool at **1** Eyeball Inlet Fitting
Scale: 1/2" = 1'-0"

EYEBALL INLET FITTING, 2" NPT, CAST BRONZE. FES-200 FOUNTAIN PEOPLE

WATER LEVEL CONTROL, NICHE TYPE, COMBINATION WATER LEVEL SENSOR AND 3" SIDE-WALL OVERFLOW DRAIN. L-104-48 PEM FOUNTAINS



Section thru Fountain at **4** Water Level Control
Scale: 1/2" = 1'-0"

BONDING CLAMPS AS REQUIRED BY AND IN COMPLIANCE WITH NEC ARTICLES 250.8 & 680.26

WATERSTOP FLANGE COUPLING 2" NPT, WITH BONDING LUG. BRONZE. 4683 STANDARD BRONZE

BONDING CLAMPS AS REQUIRED BY AND IN COMPLIANCE WITH NEC ARTICLES 250.8 & 680.26

2" PVC TO CITY WATER FILL SYSTEM VALVES.

NIPPLE, 2" NPT x 18" LONG RED BRASS

FLOOR DRAIN WITH PLUG, 3" NPT, CAST BRONZE. 7683 STANDARD BRONZE

1/2" CONDUIT WITH SIX (6) #18 AWG, THHN, TO CONTROL ENCLOSURE.

3", TO SANITARY SEWER PITRAP CONNECTION.

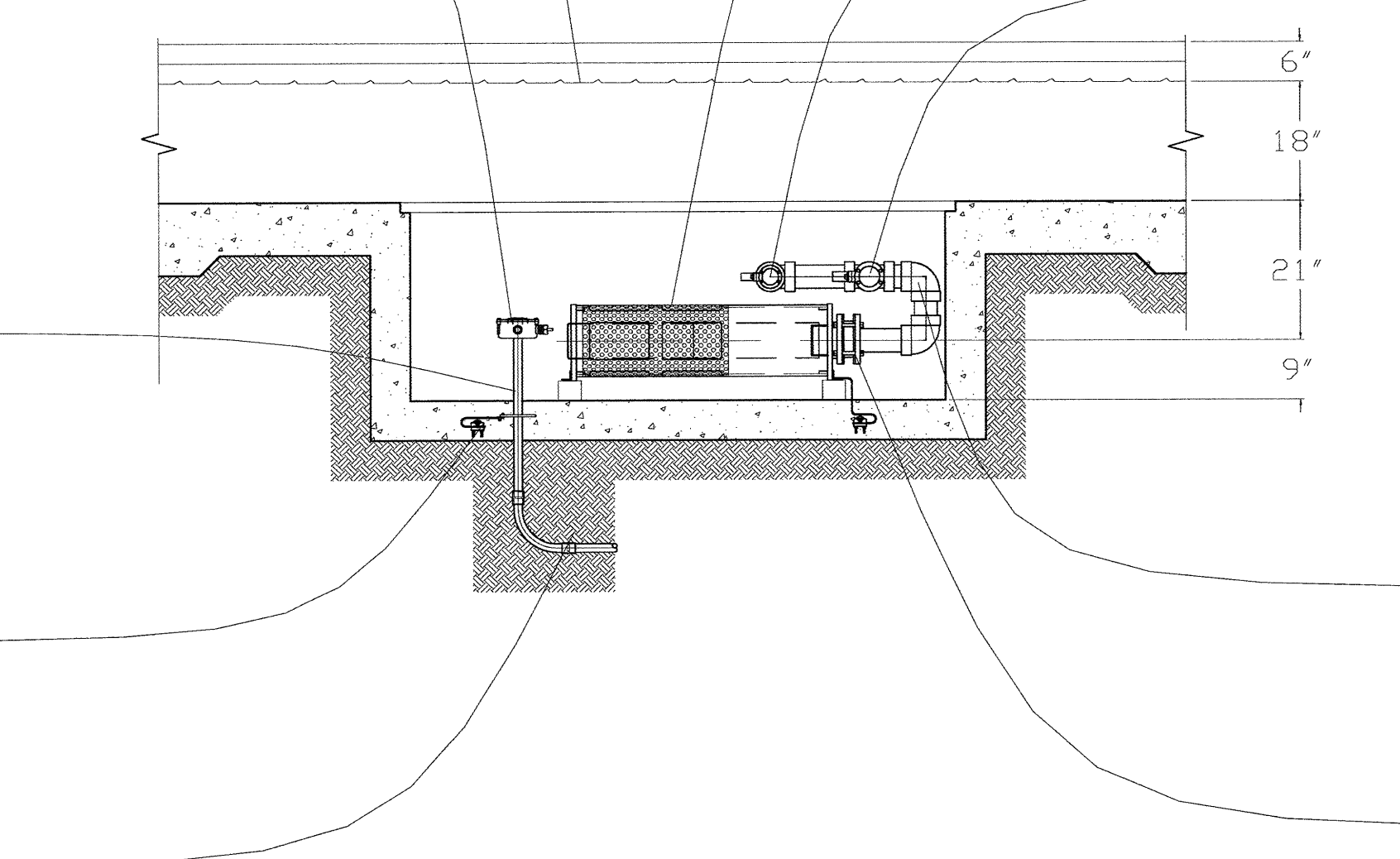
FOUNTAIN WATER LEVEL

JUNCTION BOX, SUBMERSIBLE W/ EIGHT 1/2" SIDE TAPS & ONE 1" BOTTOM TAP. J-88 DASE PUMPS & FOUNTAINS -WITH- CORD SEAL, 1/2" MNPT, 10MM OD CORD, BRASS. J-14 (378-1101) PEM FOUNTAINS

CONDUIT NIPPLE WITH WATERSTOP FLANGE, 1" NPT, 18" LONG, STAINLESS STEEL. WFN-100-018 ABC METALS

BONDING CLAMPS AS REQUIRED BY AND IN COMPLIANCE WITH NEC ARTICLES 250.8 & 680.26

1" CONDUIT W/ 4 # 6 AWG, THHN



Section thru Equipment Sump **2** at 3hp Display Pump
Scale: 1/2" = 1'-0"

DISPLAY PUMP, SUBMERSIBLE TYPE, 3Hp, RATED 120GPM @ 37.6' TDH, EFF. 48%, 3500 RPY 3" MNPT, 208V/3PH/60HZ. 6AH2-B76039 FOUNTAIN SUPPLY COMPANY

1 1/2" TO DISPLAY FITTING SCH. 80 PVC. 3" LINE TO NOZZLE SCH. 80 PVC.

3" DISCHARGE MANIFOLD OVER DISPLAY PUMP, MOUNT WITH FLANGED FITTINGS.

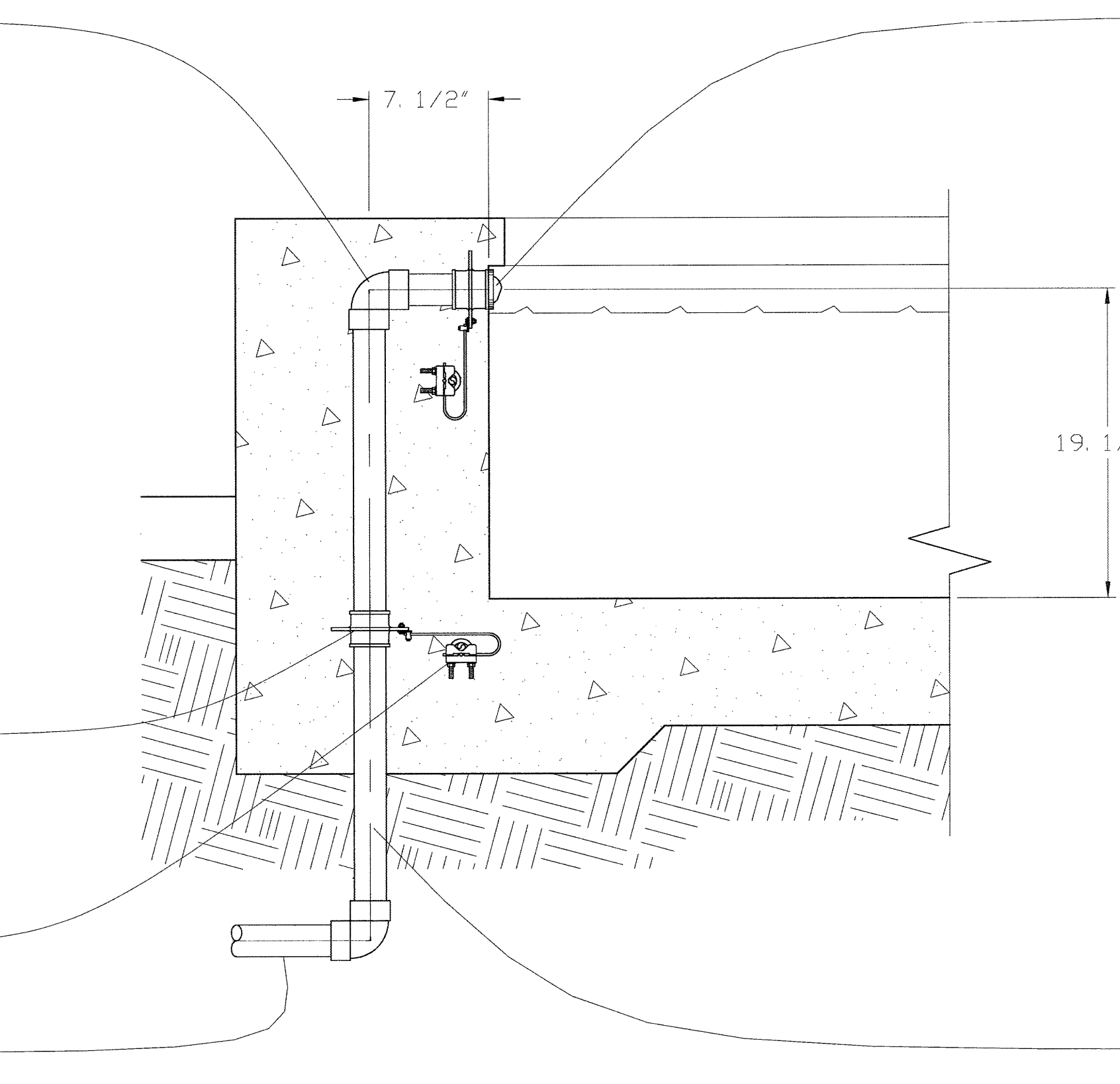
3" CHECK VALVE, FLANGED WAFER, BUTTERFLY TYPE.

SCH. 80 PVC PIPING USED IN CONCRETE.

WATERSTOP FLANGE COUPLING 2" NPT, WITH BONDING LUG. BRONZE. 4683 STANDARD BRONZE

BONDING CLAMPS AS REQUIRED BY AND IN COMPLIANCE WITH NEC ARTICLES 250.8 & 680.26

2" PVC TO CITY WATER FILL SYSTEM VALVES.



Section thru Fountain at **5** City Water Inlet
Scale: 1/2" = 1'-0"

EYEBALL INLET FITTING, 2" NPT, CAST BRONZE. FES-200 FOUNTAIN PEOPLE

MCCARTHY
LPA KH
McCarthy Building Companies, Inc.
343 Sansome Street, 14th Floor
San Francisco, California 94104
P 415 364-1339
F 415 397-5999

FORMOSA
Fountain & Engineering Company
412 E. Commonwealth Ave., Suite 1
Fullerton, Calif., 92632
Tel: (714) 526-6606/Fax: (714) 526-6616
www.formosafountains.com

IDENTIFICATION STAMP
DIVISION OF THE STATE REGISTER
APR 09 2009
APR 09 2009

College of San Mateo
Site Package
San Mateo, CA
Developed for
San Mateo County Community College District

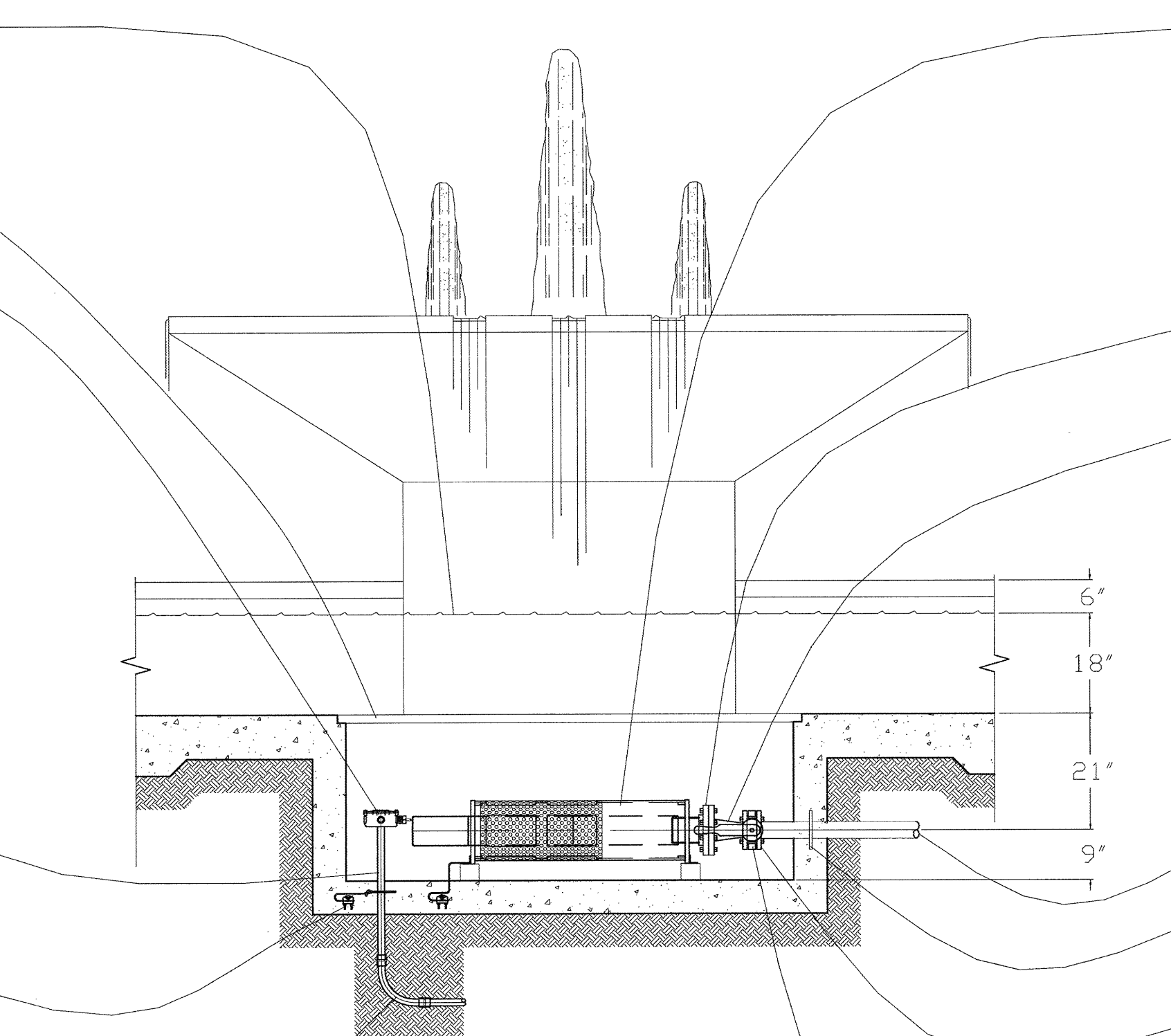
FOUNTAIN WATER LEVEL

JUNCTION BOX, SUBMERSIBLE W/ EIGHT 1/2" SIDE TAPS & ONE 1" BOTTOM TAP. J-88 DASE PUMPS & FOUNTAINS -WITH- CORD SEAL, 1/2" MNPT, 10MM OD CORD, BRASS. J-14 (378-1101) PEM FOUNTAINS

CONDUIT NIPPLE WITH WATERSTOP FLANGE, 1" NPT, 18" LONG, STAINLESS STEEL. WFN-100-018 ABC METALS

BONDING CLAMPS AS REQUIRED BY AND IN COMPLIANCE WITH NEC ARTICLES 250.8 & 680.26

1" CONDUIT W/ 4 # 8 AWG, THHN



Section thru Equipment Sump **3** at 2hp Filtration Pump
Scale: 1/2" = 1'-0"

FILTER PUMP, SUBMERSIBLE TYPE, 2 Hp, RATED 45 GPM @ 60' TDH, 3600RPM, 4" NPT 208V/3PH/60HZ. STP-6AH2-2HP (B76035) FOUNTAIN SUPPLY COMPANY

COMPANION FLANGE, 4" ANSI TYPE, SCH. 80 PVC. REDUCER, CONICAL, 4" x 1 1/2" ANSI FLANGED, FRP CONST. FRPCOMPOSITES.COM

1 1/2", TO BURIAL FILTER VAULT. SCH. 80 PVC.

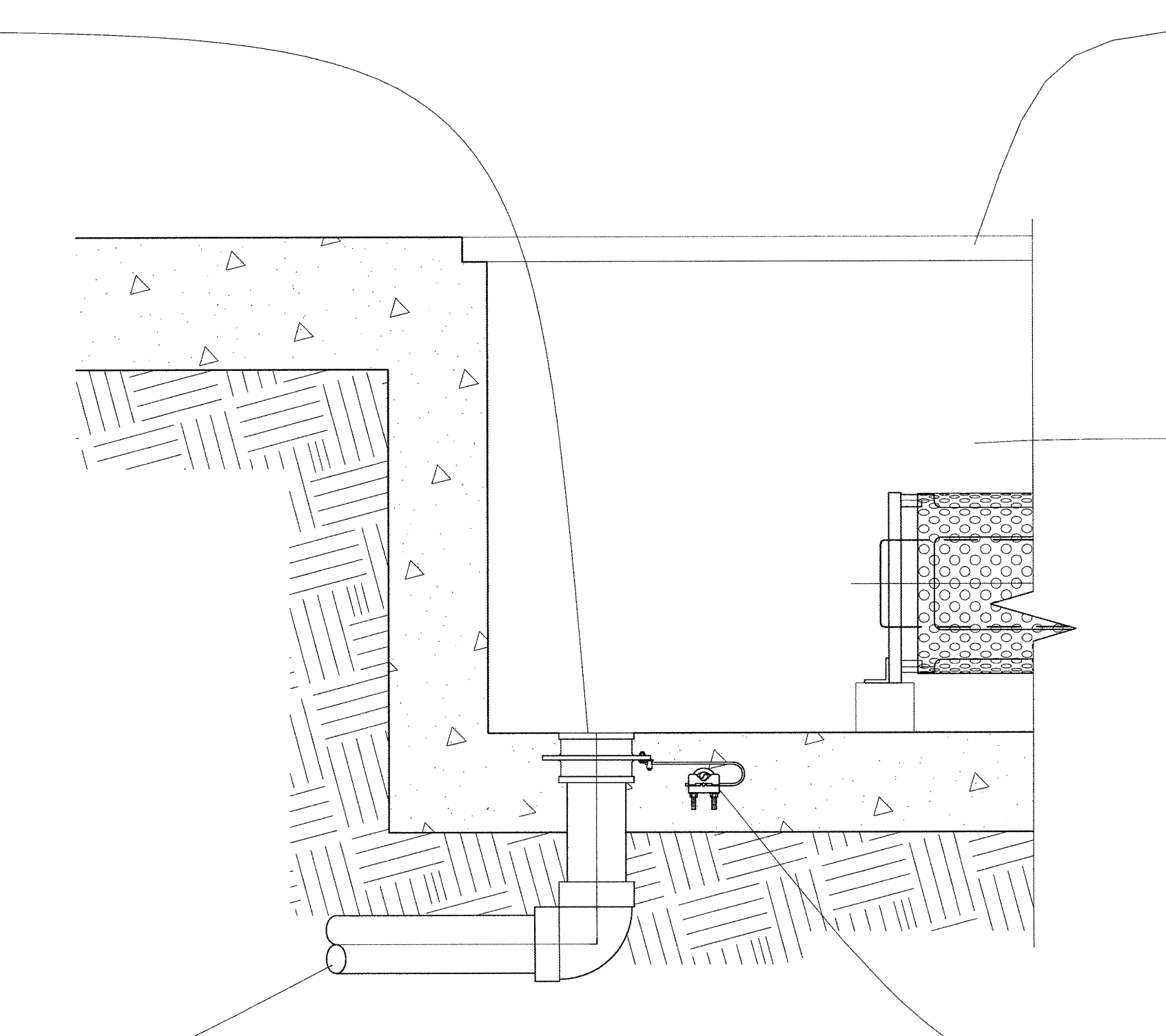
WATERSTOP FLANGE, EXTEND 2" BEYOND PIPE OUTER WALL

COMPANION FLANGE, 1 1/2" ANSI TYPE, SCH. 80 PVC.

VALVE, BUTTERFLY, FLANGED WAFER TYPE, SUITABLE FOR SUBMERGED USE.

FLOOR DRAIN WITH PLUG, 3" NPT, CAST BRONZE. 7683 STANDARD BRONZE

3", PVC TO SANITARY SEWER P-TRAP.



Section thru Pool at **6** Equipment Sump Drain
Scale: 1/2" = 1'-0"

GRATE

EQUIPMENT SUMP

BONDING CLAMPS AS REQUIRED BY AND IN COMPLIANCE WITH NEC ARTICLES 250.8 & 680.26

Job No.	27082.30
Date	09 APRIL 2009
Drawn by	VM
Checked by	LM
Scale	AS SHOWN
FOUNTAIN 3 MECHANICAL SECTIONS	
F2.03	