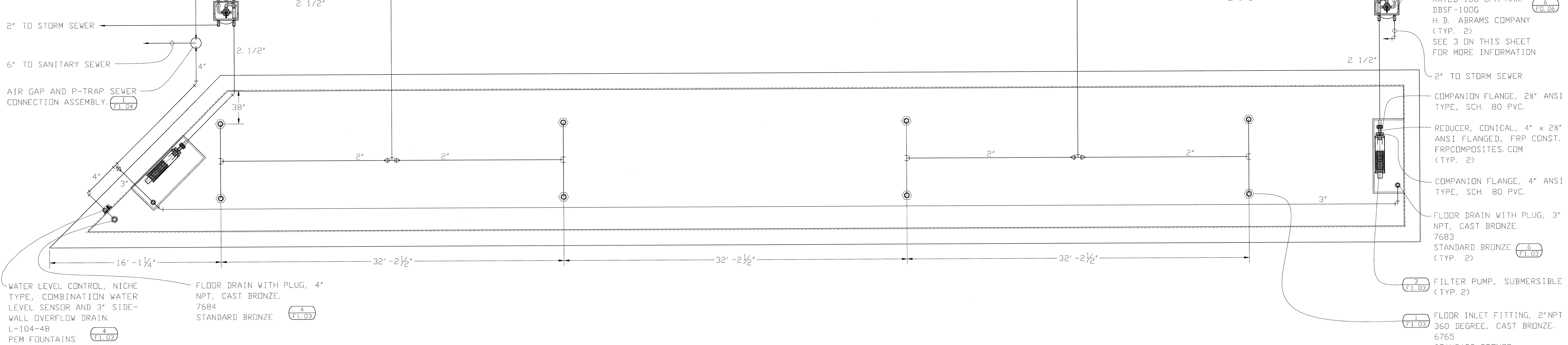
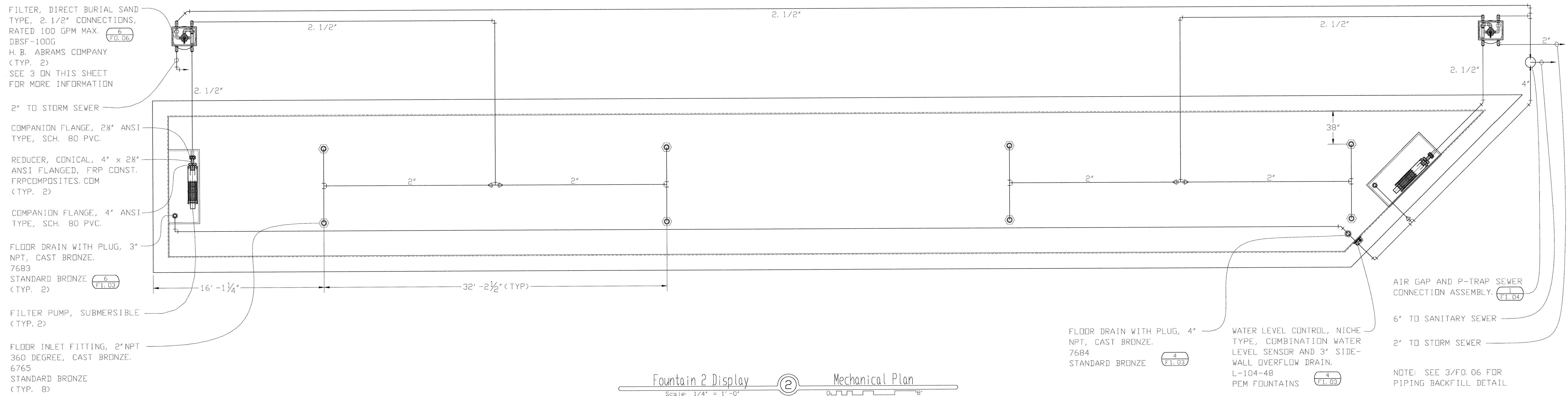


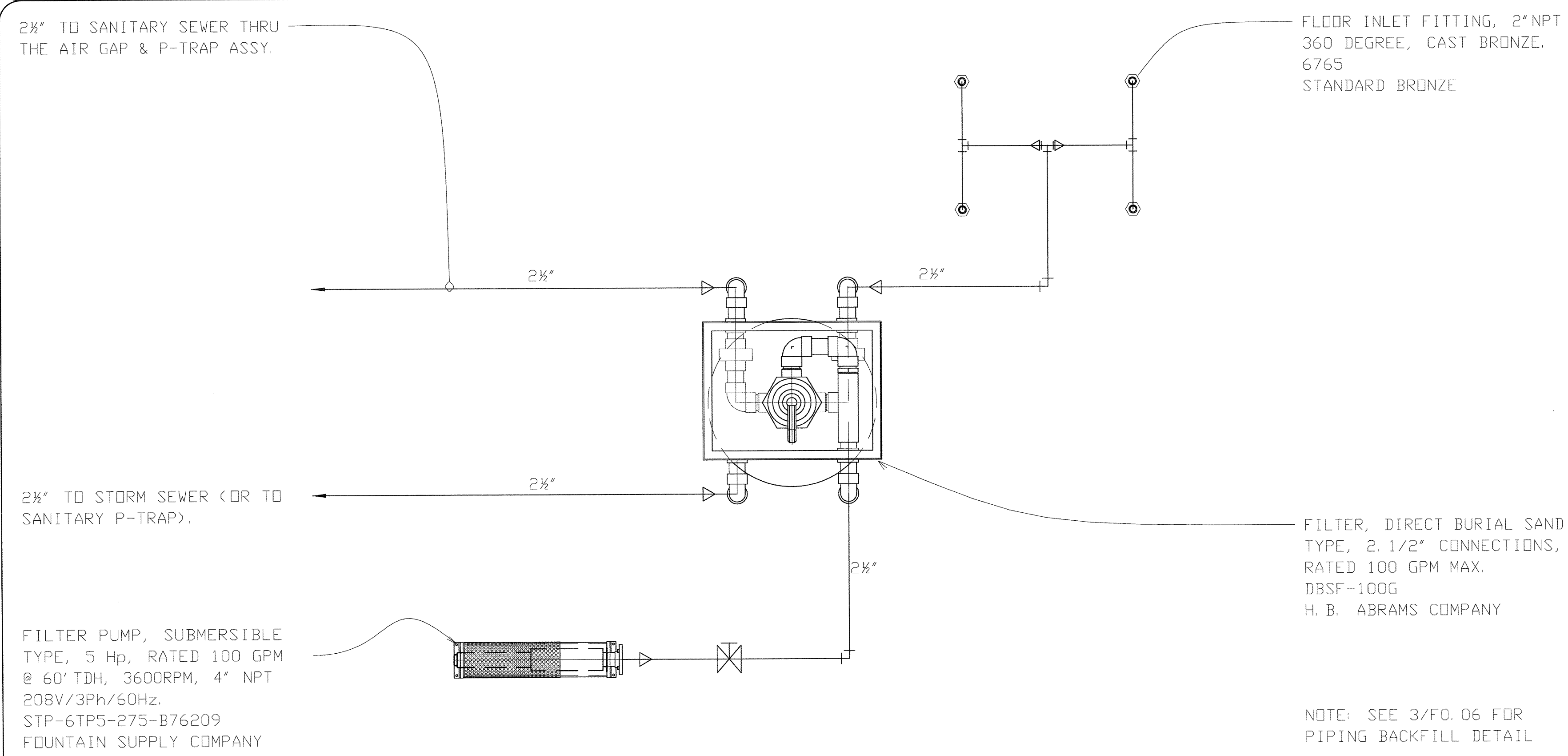
NOTE: SEE 3/FO.06 FOR PIPING BACKFILL DETAIL



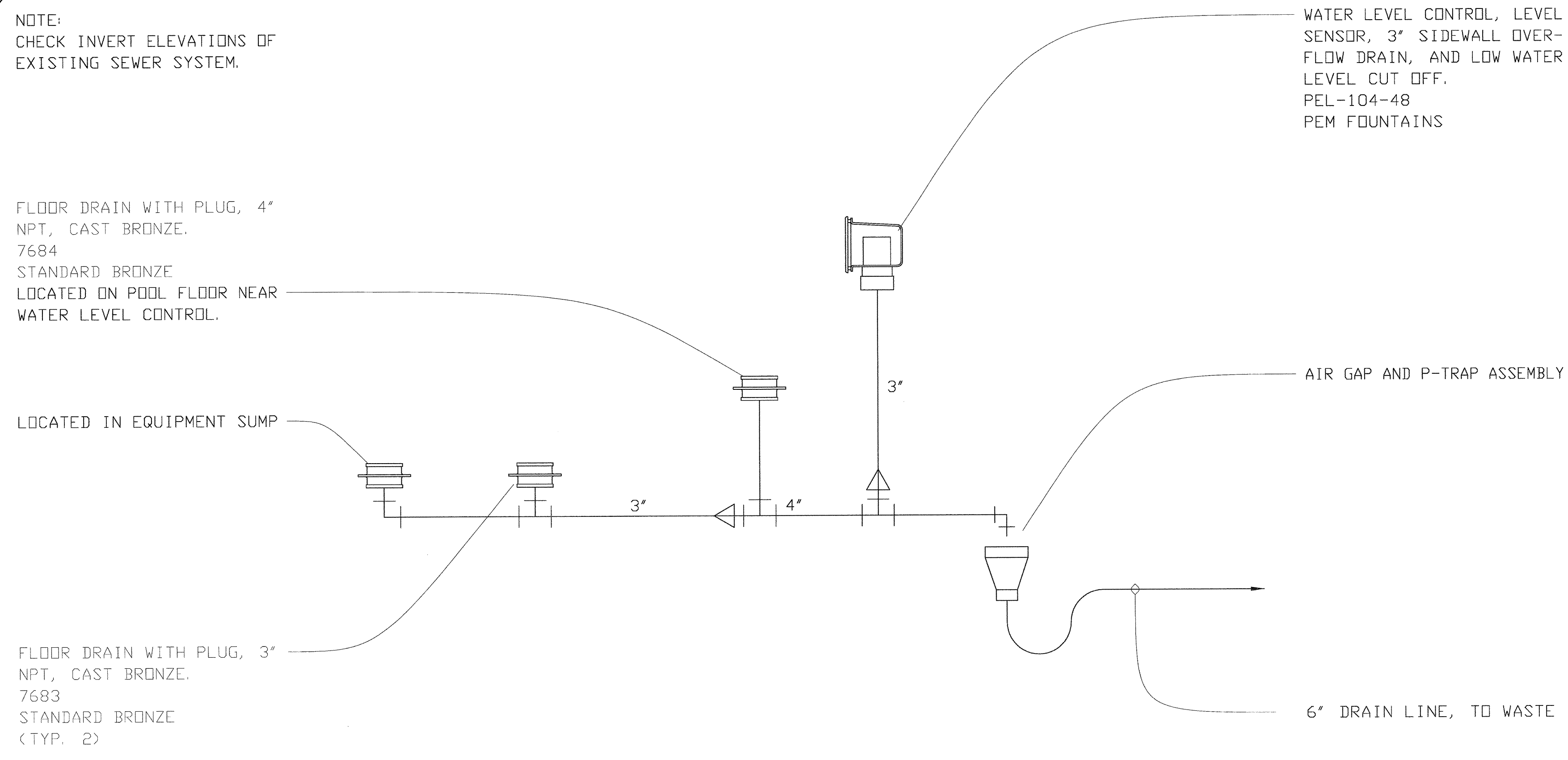
Fountain 1 Display Mechanical Plan  
Scale: 1/4" = 1'-0"



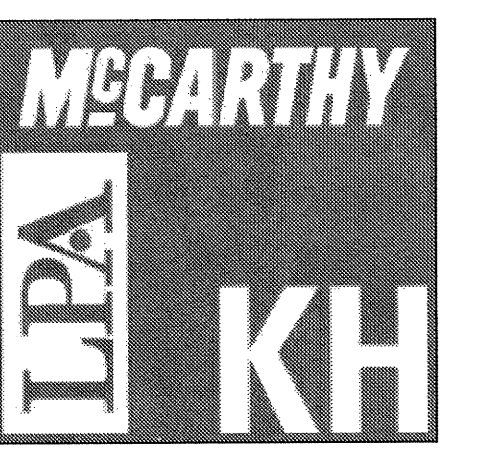
Fountain 2 Display Mechanical Plan  
Scale: 1/4" = 1'-0"



Filter System Plumbing Schematic  
Scale: None



Drain System Piping Schematic  
Scale: None



McCarthy Building Companies, Inc.  
343 Sansome Street, 14th Floor  
San Francisco, California 94104  
P 415 |364-1339  
F 415 |397-5999



Formosa  
Fountain & Engineering Company  
412 E. Commonwealth Ave., Suite 1  
Fullerton, Calif. 92832  
Tel: (714) 226-8608 / Fax: (714) 226-6616  
www.formosafountains.com

This and all other project documents and all files, methods and design incorporated herein are the property of Formosa. All project documents are the registered property of Formosa, Inc. (F&E) and cannot be copied, used, or reproduced in any way without the express written consent of Formosa, Inc. The information contained herein is for informational purposes only and does not constitute a contract. Formosa, Inc. and its subsidiaries and affiliates shall not be held liable for any errors or omissions in this document. Formosa, Inc. and its subsidiaries and affiliates shall not be held liable for any damages, including consequential damages, arising from the use of this document. Formosa, Inc. and its subsidiaries and affiliates shall not be held liable for any damages, including consequential damages, arising from the use of this document. Formosa, Inc. and its subsidiaries and affiliates shall not be held liable for any damages, including consequential damages, arising from the use of this document.

IDENTIFICATION STAMP  
DIVISION OF THE STATE ARCHITECT  
APR 09 2009

College of San Mateo  
Site Package  
San Mateo, CA  
Developed for  
San Mateo County Community College District

Date	Revision	Description

Date	Revision	Description
19 SEPT 2008	19	DSA SUBMITTAL
09 APRIL 2009	09	DSA FINAL

Job No.	27082.30
Date	09 APRIL 2009
Drawn by	VM
Checked by	LM
Scale	AS SHOWN

FOUNTAIN 1 & 2  
MECHANICAL PLAN  
& DETAILS

F1.02