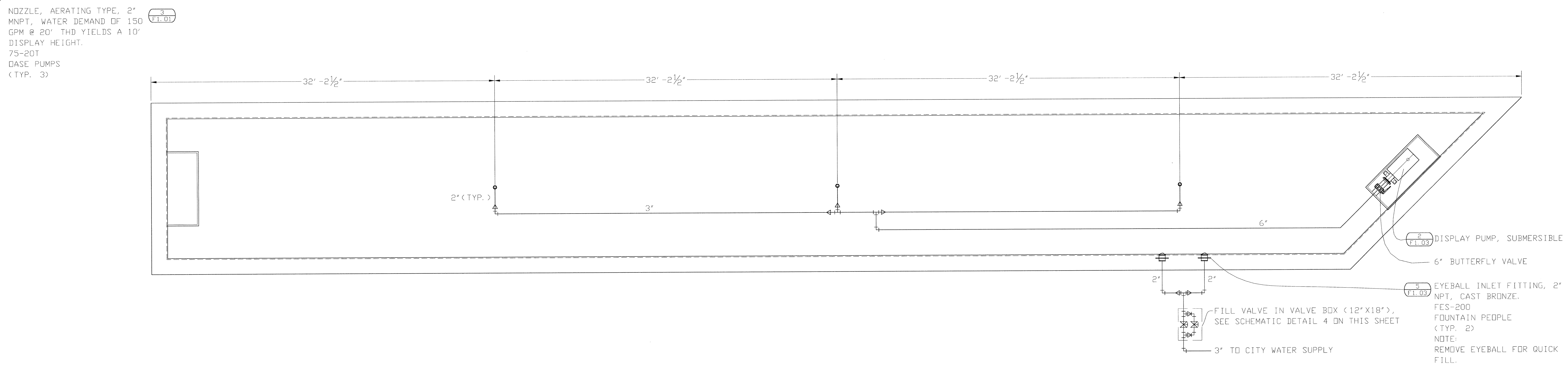
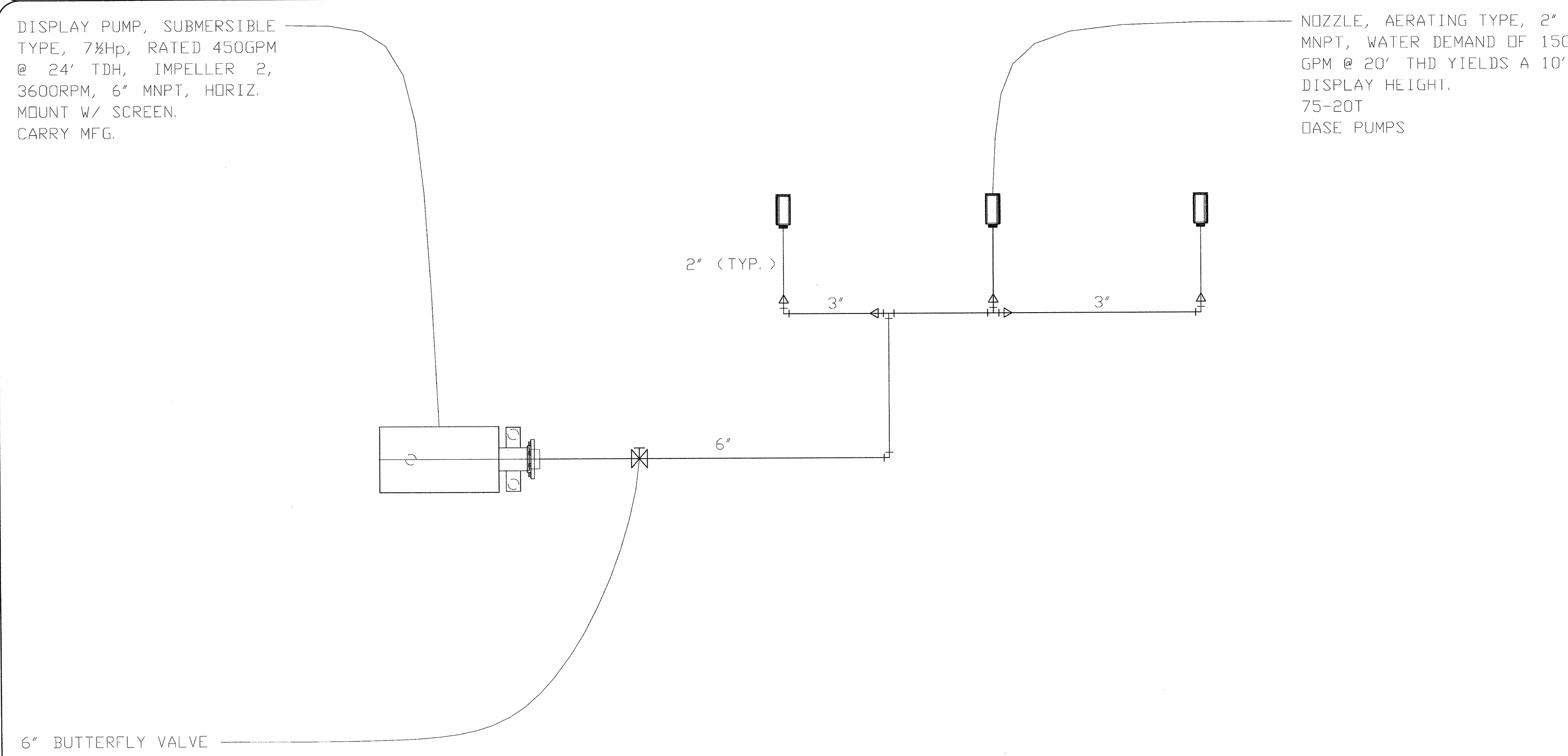


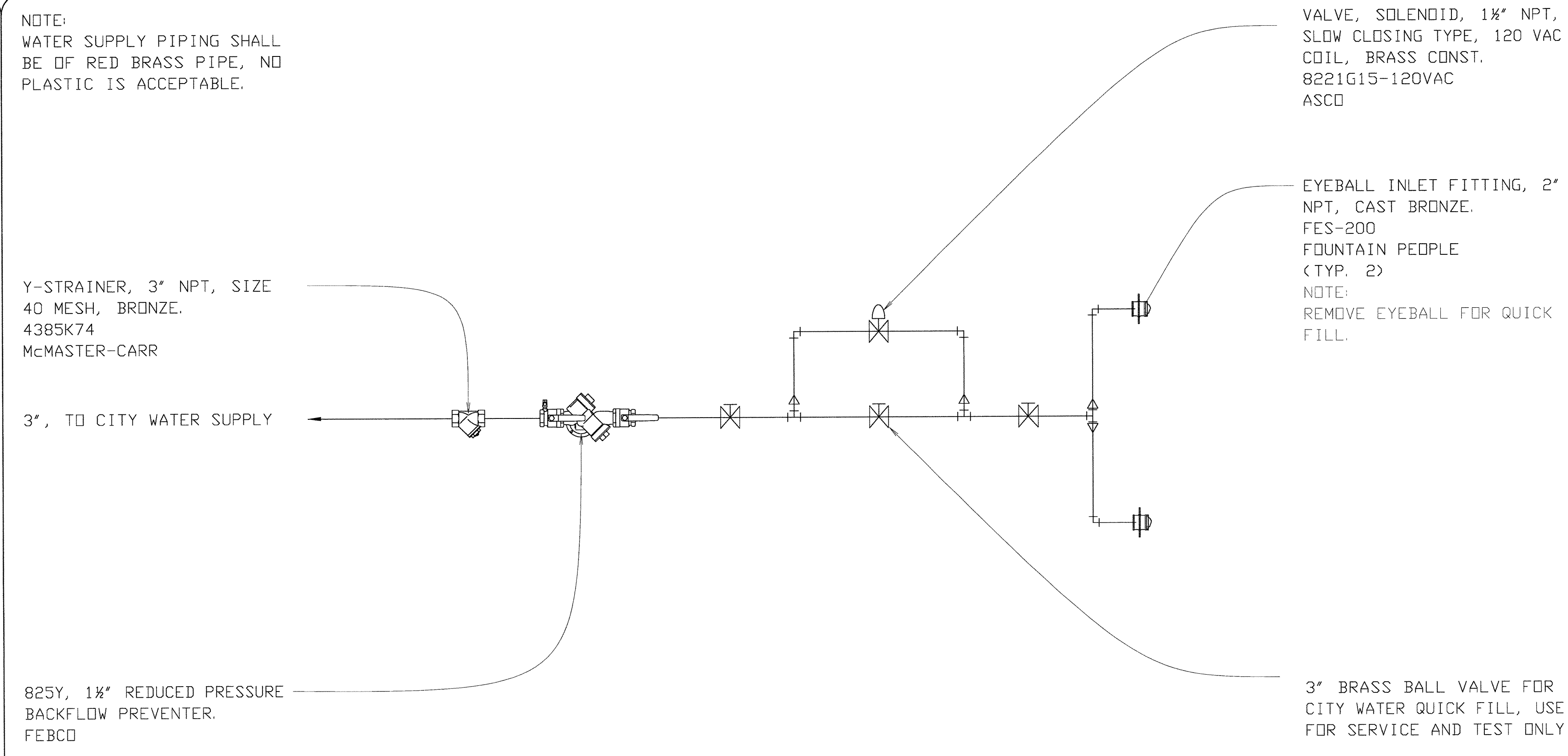
Fountain 1 Display Mechanical Plan
Scale: 1/4" = 1'-0"



Fountain 2 Display Mechanical Plan
Scale: 1/4" = 1'-0"



Fountain Display Plumbing Schematic
Scale: 1/2" = 1'-0"



Inlet Fill System Plumbing Schematic
Scale: None

McCarthy
LPA KH
McCarthy Building Companies, Inc.
343 Sansome Street, 14th Floor
San Francisco, California 94104
P 415 364-1339
F 415 397-5999

Formosa
Professional Engineer
No. 5288
Exp. 6/30/10
Fountain & Engineering Company
412 E. Commonwealth Ave., Suite 1
Fullerton, Calif., 92832
Tel: (714) 526-6606 / Fax: (714) 526-6616
www.formosafountains.com

IDENTIFICATION STAMP
DIVISION OF THE STATE ARCHITECT
APR 09 2009
APR 09 2009

College of San Mateo
Site Package
San Mateo, CA
Developed for
San Mateo County Community College District

Revision	Description	Date
1	DISA SUBMITTAL	19 SEPT 2008
2	DISA FINAL	09 APRIL 2009

Job No.	27062.30
Date	09 APRIL 2009
Drawn by	VM
Checked by	LM
Scale	AS SHOWN

**FOUNTAIN 1 & 2
MECHANICAL PLAN
& DETAILS**

F1.01