

1 1/2" x 1 1/2" RECESS AROUND THE SUMP TO ACCEPT FIBER-GLASS GRATING COVER. USE 1 1/2" x 1 1/2" THICK, DARK GREY "GATOR-GRATE" TYPE SEASAFE

NOTE: PRECAST CONCRETE BOWL & PEDESTAL SHOP DRAWINGS BY QUICKCRETE. SHALL HAVE THE ARCHITECT APPROVAL BEFORE CONSTRUCTION.

COBBLE TILE ON BOTTOM OF BASIN  
PEBBLE TEC ON SIDES OF POOL

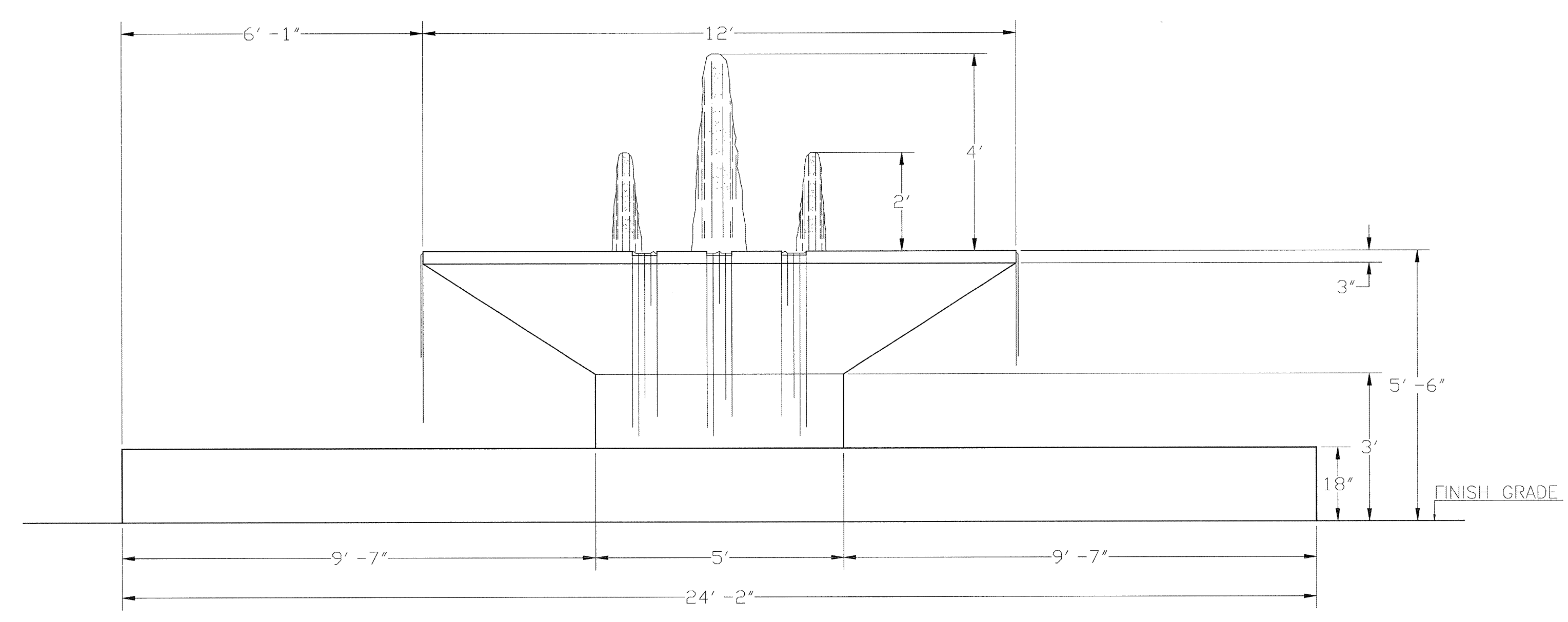
NOTE: REFER TO SHEET F0.05 FOR CONCRETE AND STRUCTURAL SPECIFICATIONS.

REBAR #4 AT 12" O/C EACH WAY AT C OF SLAB.  
#4 VERT. AT 16" O/C MAX. EACH WAY, EACH FACE.

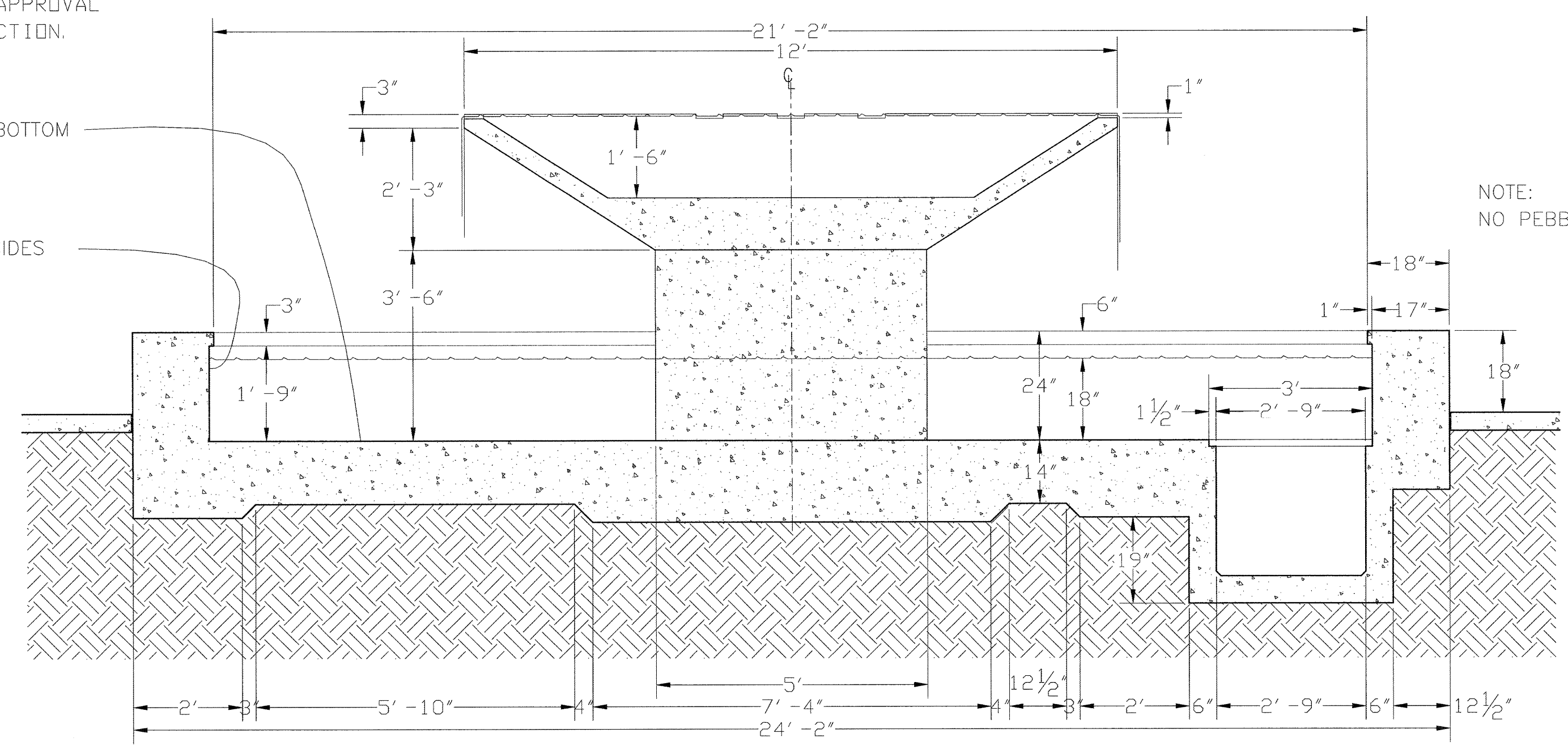
NOTE: PRECAST CONCRETE BOWL & PEDESTAL SHOP DRAWINGS BY QUICKCRETE. SHALL HAVE THE ARCHITECT APPROVAL BEFORE CONSTRUCTION.

PRECAST CONCRETE BOWL BY QUICKCRETE.

Fountain 3 Concrete Plan  
Scale: 1/2" = 1'-0"



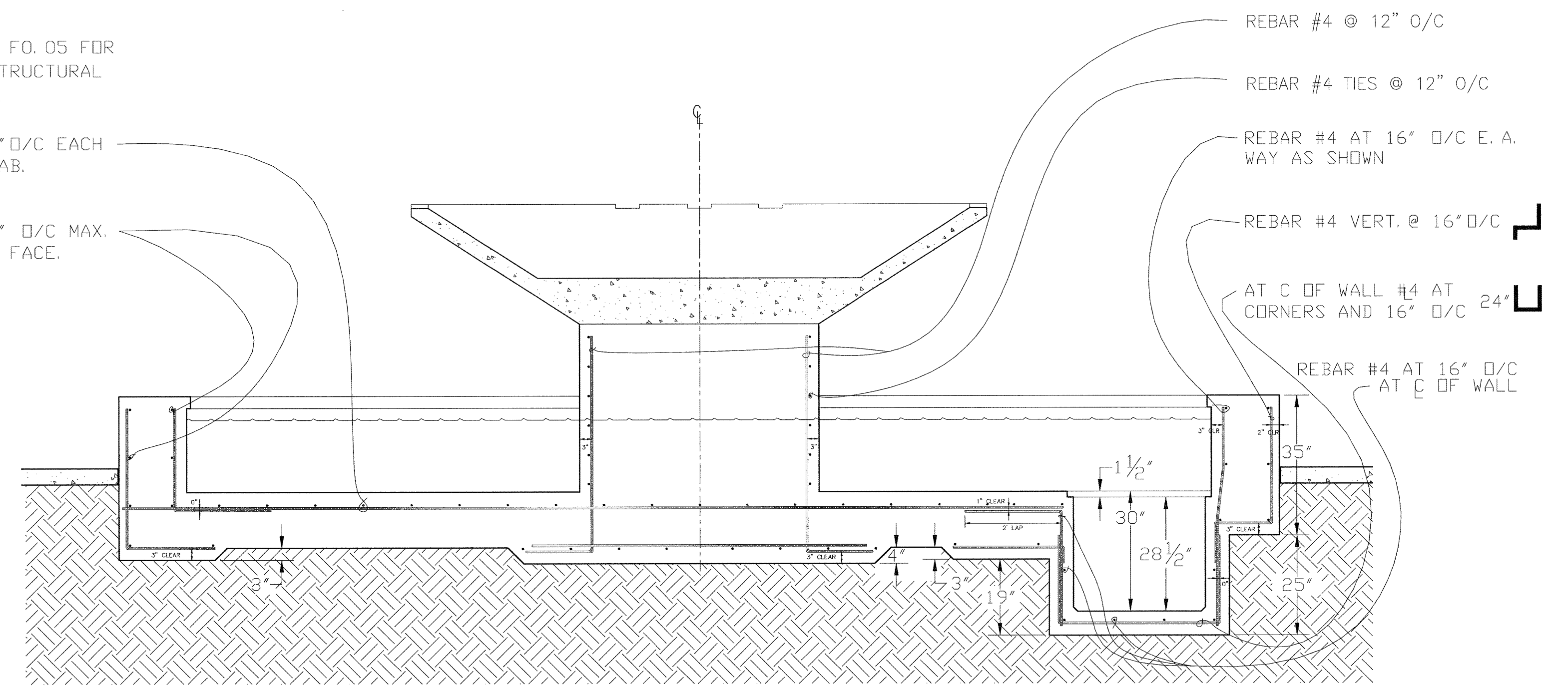
Fountain 3 Elevation  
Scale: 1/2" = 1'-0"



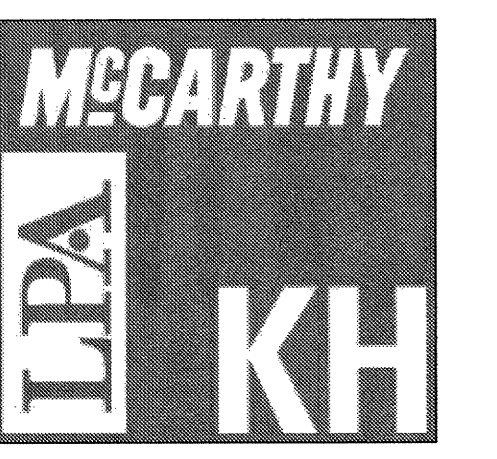
NOTE: WATERPROOFING ADMIX (SEE SPECIFICATIONS FOR TYPE.) 2-F0.05

NOTE: NO PEBBLE TEC IN SUMP

Section thru Fountain 3 Concrete Structure  
Scale: 1/2" = 1'-0"



Section thru Fountain 3 Structural Detail  
Scale: 1/2" = 1'-0"



McCarthy Building Companies, Inc.  
343 Sansome Street, 14th Floor  
San Francisco, California 94104  
P 415 | 364-1339  
F 415 | 397-5999



Fountain 3 Engineering Company  
412 E. Commonwealth Ave., Suite 1  
Fullerton, Calif., 92832  
Tel: (714) 526-6606/Fax: (714) 526-6616  
www.formosafountains.com

This and all other project documents and all data, methods and designs incorporated therein are instruments of service. All project documents are the registered property of LPA, KH, [LPA] and cannot be copied, used, altered, or in part for any project or purpose without the written consent of LPA, KH, [LPA] and [KH]. Any reproduction or use of any project document without the written consent of LPA, KH, [LPA] and [KH] is strictly prohibited. LPA, KH, [LPA] and [KH] shall not be held responsible for any errors or omissions in any project document. LPA, KH, [LPA] and [KH] shall not be held responsible for any errors or omissions in any project document. LPA, KH, [LPA] and [KH] shall not be held responsible for any errors or omissions in any project document.

IDENTIFICATION STAMP  
DIVISION OF THE STATE ARCHITECT  
APR 11 2009  
DATE APR 09 2009

College of San Mateo  
Site Package  
San Mateo, CA  
Developed for  
San Mateo County Community College District

Revision	Description	Date

Revision	Description	Date
01	DSR SUBMITTAL	19 SEPT. 2008
02	DSR FINAL	09 APRIL 2009

Job No.	27082.30
Date	09 APRIL 2009
Drawn by	VM
Checked by	LM
Scale	AS SHOWN

FOUNTAIN 3  
CONCRETE & DETAILS  
F0.04

Not Used  
Scale: None