

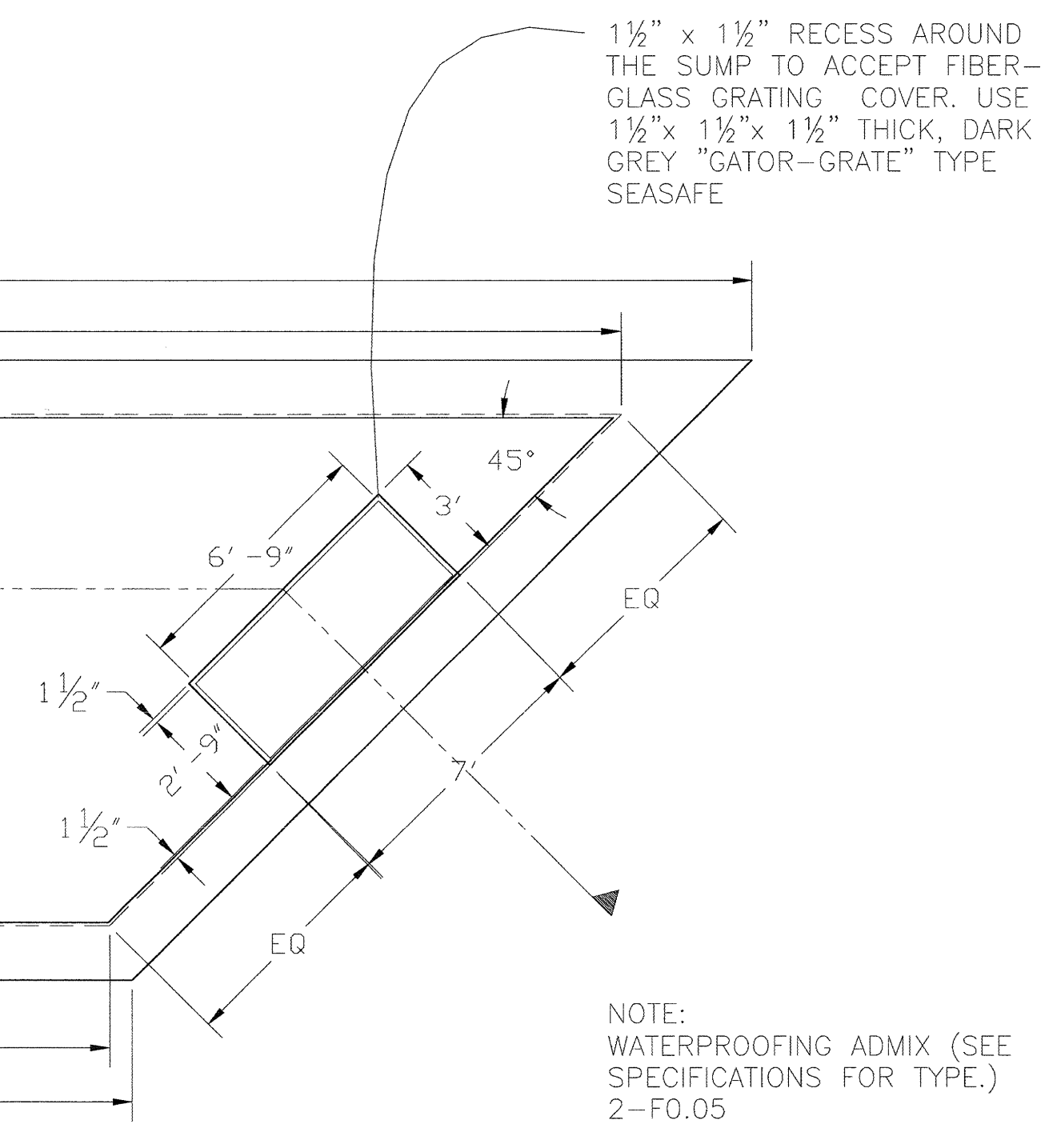
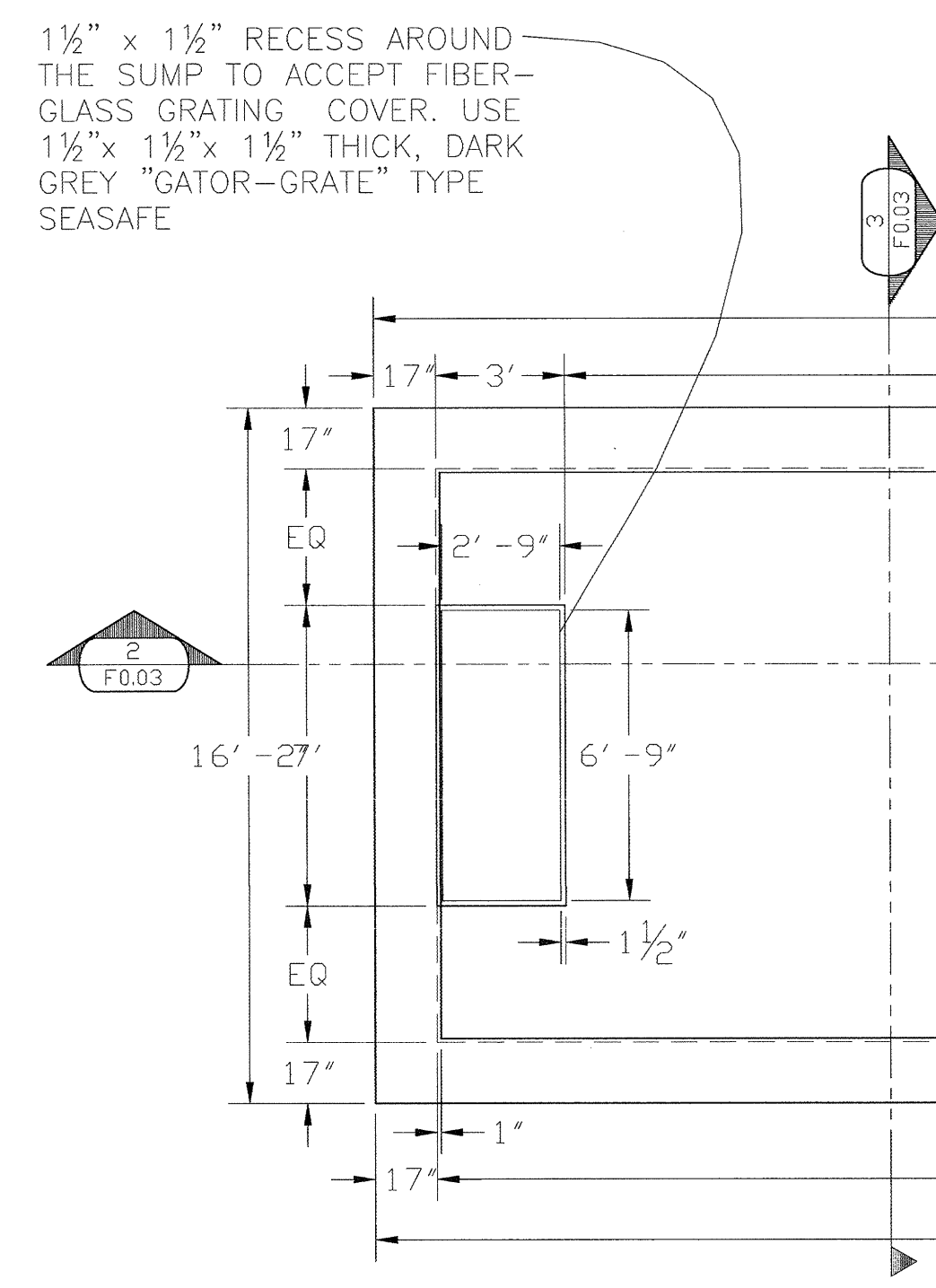


This set of other project documents and all data, statistics and design incorporated therein are instruments of service. It is the responsibility of the user to verify the accuracy of the data and statistics and to ensure that the design is suitable for the intended use. The user shall be responsible for any and all consequences of any use of the design for any purpose other than that for which it was prepared. The user shall not be held responsible for any and all consequences of any use of the design for any purpose other than that for which it was prepared. The user shall not be held responsible for any and all consequences of any use of the design for any purpose other than that for which it was prepared.

Copyright 2008

IDENTIFICATION STAMP  
DIVISION OF THE STATE ARCHITECT  
APR 09 2009  
DATE

College of San Mateo  
Site Package  
San Mateo, CA  
Developed for  
San Mateo County Community College District

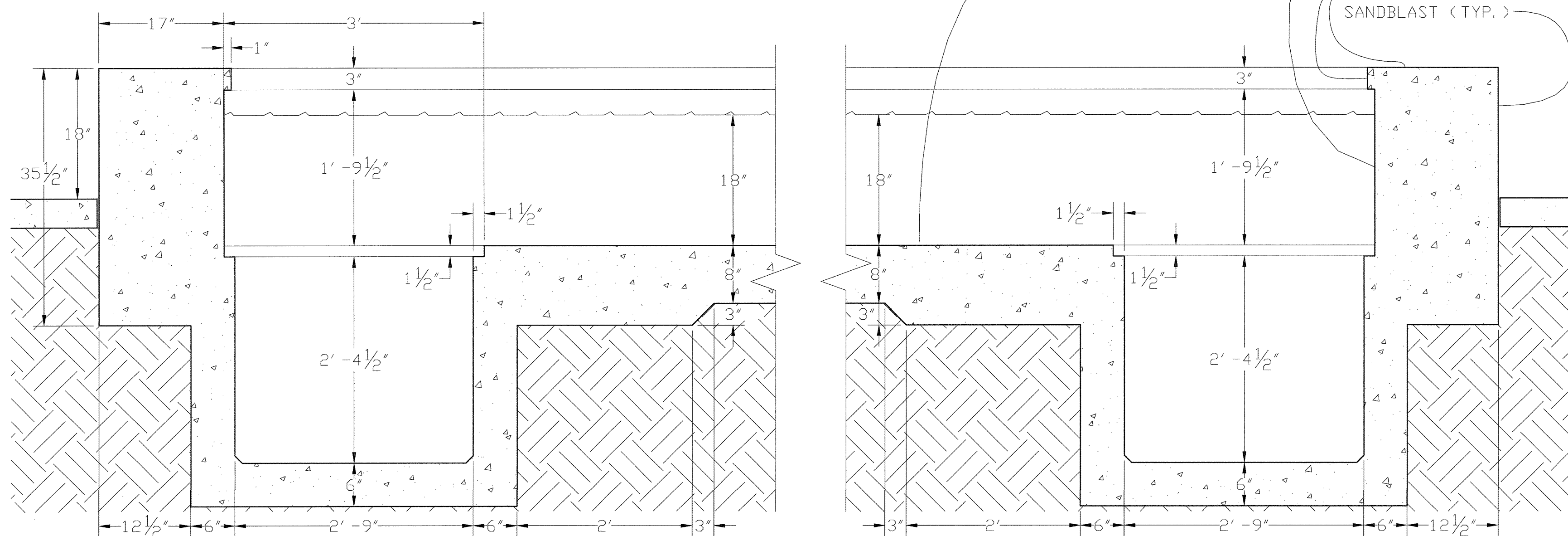


NOTE: REFER TO LAYOUT AND MATERIALS PLAN FOR FOUNTAIN LAYOUT AND ORIENTATION

Fountain 1 & 2  
Concrete Plan  
Scale: 1/4" = 1'-0"

NOTE: WATERPROOFING ADMIX (SEE SPECIFICATIONS FOR TYPE.) 2-F0.05

NOTE: NO PEBBLE TEC IN SUMP  
COBBLE TILE ON BOTTOM OF BASIN  
PEBBLE TEC ON SIDES OF POOL  
ARDEX FINISH W/ MEDIUM SANDBLAST (TYP.)

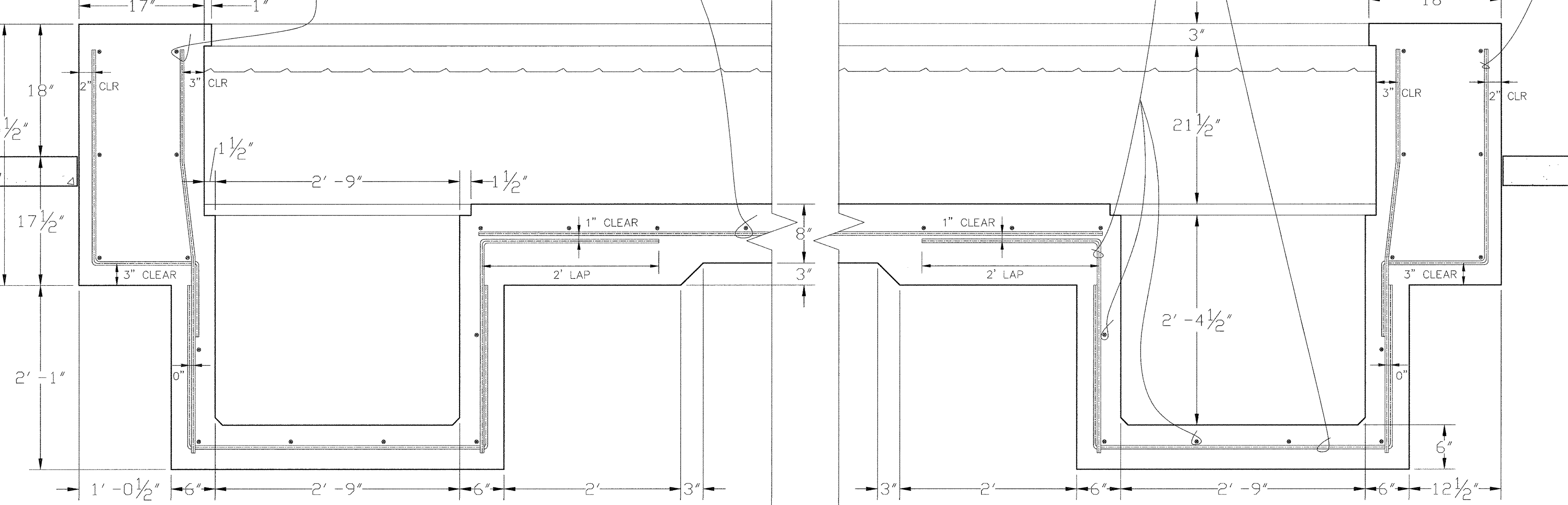


NOTE: REFER TO LAYOUT AND MATERIALS PLAN L1.XX FOR CONCRETE FINISH ON TOP AND SIDES OF FOUNTAIN WALL.

Section thru Fountain 1 & 2  
Concrete Structure  
Scale: 1/4" = 1'-0"

REBAR #4 AT 12" O/C EACH WAY AT C OF SLAB.  
REBAR #4 AT 16" O/C EACH WAY AS SHOWN

REBAR #4 VERT. AT 16" O/C  
AT C OF WALL #4 AT CORNERS AND 16" O/C

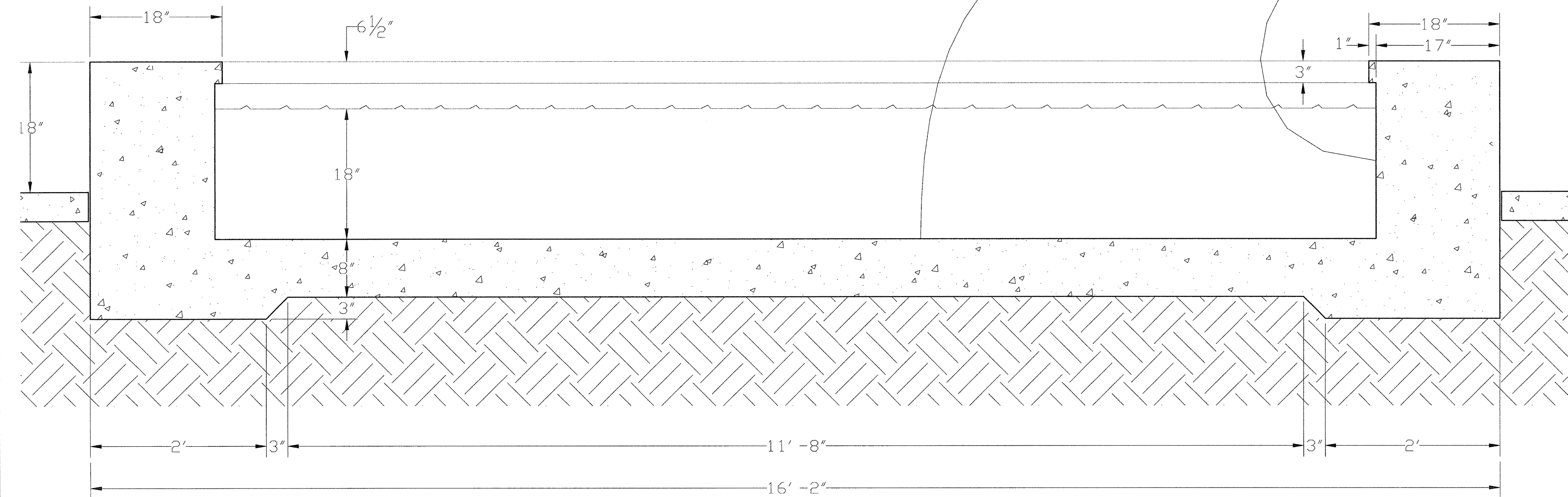


NOTE: REFER TO LAYOUT AND MATERIALS PLAN FOR FOUNTAIN LAYOUT AND ORIENTATION

Section thru Fountain 1 & 2  
Structural Detail  
Scale: 1/4" = 1'-0"

NOTE: WATERPROOFING ADMIX (SEE SPECIFICATIONS FOR TYPE.)

COBBLE TILE ON BOTTOM OF BASIN  
PEBBLE TEC ON SIDES OF POOL



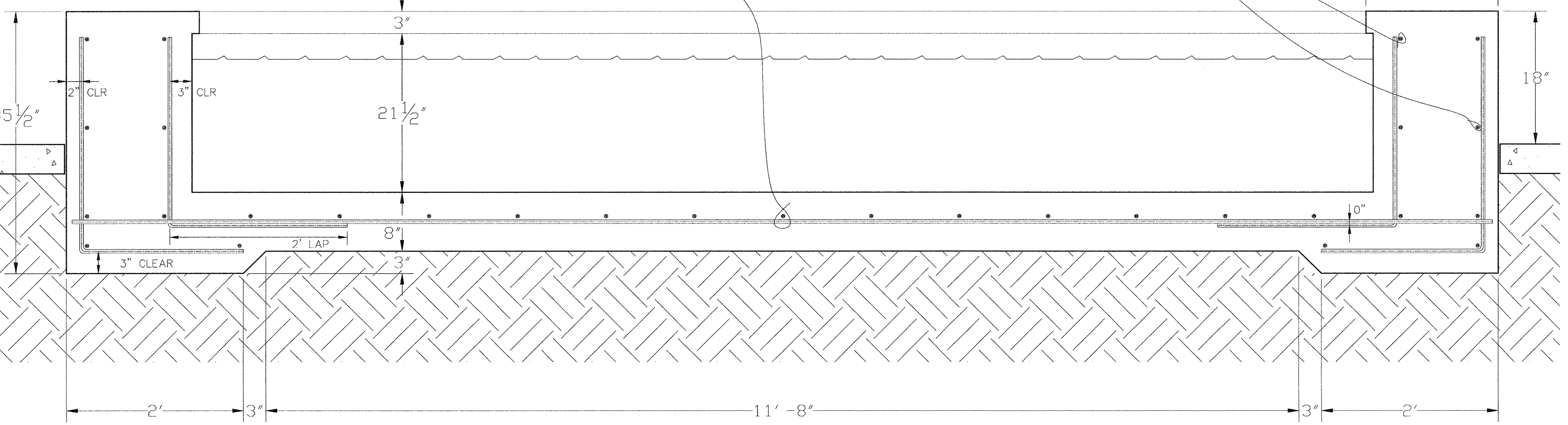
NOTE: TYPICAL ONE OF TWO IDENTICAL SYSTEMS

Section thru Fountain 1 & 2  
Concrete Structure  
Scale: 1" = 1'-0"

NOTE: REFER TO SHEET F0.05 FOR CONCRETE AND STRUCTURAL SPECIFICATIONS.

REBAR #4 AT 12" O/C EACH WAY AT C OF SLAB.

TYP. #4 VERT. AT 16" O/C MAX. EACH WAY, EACH FACE.



NOTE: TYPICAL ONE OF TWO IDENTICAL SYSTEMS

Section thru Fountain 1 & 2  
Structural Detail  
Scale: 1" = 1'-0"

Date	Revision	Description

Revision	Description	Date
01	ISSUE SUBMITTAL	19 SEPT 2008
02	ISSUE FINAL	08 APRIL 2009

Job No.	27082.30
Date	09 APRIL 2009
Drawn by	VM
Checked by	LM
Scale	AS SHOWN

**FOUNTAIN 1 & 2  
CONCRETE  
& DETAILS**