

This and all other project documents and all ideas, methods, and designs incorporated herein are instruments of service and project documents are the registered property of LPA, KH, LPA and KH and shall be used only for the project and for any other project as may be determined by the registered architect-engineer or other professional as may be determined by the registered architect-engineer or other professional. LPA hereby grants license to use the project documents for the project only. Any reproduction or modification (revised) is not only prohibited but unauthorized and shall be subject to legal action. LPA and KH shall not be held liable for any errors or omissions in any project document. LPA and KH shall not be held liable for any errors or omissions in any project document. LPA and KH shall not be held liable for any errors or omissions in any project document. LPA and KH shall not be held liable for any errors or omissions in any project document.

Table with 2 columns: Revision, Description. Contains revision history for the drawing.

Table with 2 columns: Revision, Date. Contains dates for various milestones like DSA SUBMITTAL, DSA FINAL, etc.

Table with 2 columns: Job No., Date, Drawn by, Checked by, Scale. Contains project identification and approval information.

Legend & Abbreviations Drawing Schedule & Photometric Summary

E0.01

LEGEND AND ABBREVIATIONS

(NOTE: THIS IS A MASTER SYMBOL LIST AND NOT ALL SYMBOLS INDICATED HAVE BEEN USED ON PLANS)

Main legend table with columns: LIGHTING FIXTURES, EQUIPMENT, SINGLE LINE AND SCHEMATICS, ABBREVIATIONS. Lists symbols and descriptions for various electrical components.

DRAWING SCHEDULE

Large drawing schedule table with columns: SHEET, DESCRIPTION, and multiple columns for drawing status (e.g., DSA FINAL, PLAN CHECK, etc.).

PHOTOMETRIC CALCULATION SUMMARY

Table with 4 columns: Label, Required Average Foot Candles, Avg, Sheet No. Lists calculations for various areas like Parking Lot Bldg, Pool Area, etc.

PHOTOMETRIC REQUIREMENTS

PATH OF EGRESS = AVERAGE LIGHT LEVEL 1 FOOT-CANDLE. ROADWAYS = AVERAGE LIGHT LEVEL (.5) FOOT-CANDLE.

DRAWING OF RECORD ROSENDIN ELECTRIC, INC. DATE: 11/04/11

CERTIFICATE OF COMPLIANCE (Part 1 of 2) OLTG-1-C

PROJECT NAME: COLLEGE OF SAN MATEO SITE, DATE: 04-09-09, PROJECT ADDRESS: 1700 WEST HILLSDALE BLVD., SAN MATEO, CA, PRINCIPAL DESIGNER: TONY HERNADEZ, TELEPHONE: 408-321-2206, TOOK APPROVATION AUTHORITY: SILVIA RAVE, TELEPHONE: 408-321-2233

GENERAL INFORMATION: DATE OF PLANS: 04-09-09, OUTDOOR LIGHTING ZONE: L21, L22, L23, L24, FUNCTION TYPE: OUTDOOR LIGHTING, PHASE OF CONSTRUCTION: NEW CONSTRUCTION

STATEMENT OF COMPLIANCE: This Certificate of Compliance lists outdoor lighting system specifications need to comply with Title 24, Parts 1 and 6 of the California Code of Regulations. This certificate applies only to building lighting requirements.

DOCUMENTATION AUTHORITY: SILVIA RAVE, SIGNATURE: [Signature], DATE: 04-09-09

The Principal Lighting Designer hereby certifies that the proposed outdoor lighting and signs design represented in this set of construction documents is consistent with the other compliance forms and worksheets, with the specifications, and with any other calculations submitted with this permit application.

I hereby affirm that I am eligible under the provisions of Division 3 of the Business and Professions Code to sign this document as the person responsible for its preparation; and that I am licensed in the State of California as a civil engineer or electrical engineer, or I am a licensed architect.

I affirm that I am eligible under the provisions of Division 3 of the Business and Professions Code by section 5537.2 or 6737.3 to sign this document as the person responsible for its preparation; and that I am a licensed contractor performing this work.

I affirm that I am eligible under the provisions of Division 3 of the Business and Professions Code to sign this document because it pertains to a structure or type of work described as exempt pursuant to Business and Professions Code Sections 5537.5538 and 6737.1.

PRINCIPAL LIGHTING DESIGNER NAME: TONY HERNADEZ, SIGNATURE: [Signature], DATE: 04-09-09, LIC. # E015390

INSTRUCTIONS TO APPLICANT OUTDOOR LIGHTING COMPLIANCE & WORKSHEETS

For detailed instructions on the use of this and all Energy Efficiency Standards compliance forms, please refer to the Nonresidential Manual published by the California Energy Commission.

OLTG-1-C Certificate of Compliance. Required on plans for all submittals for outdoor lighting. Part 2 of 2 may be incorporated in schedules on the plans.

OLTG-2-C LIGHTING COMPLIANCE SUMMARY. Applicable Parts required for ALL outdoor lighting allowances (Except for Signs).

OLTG-3-C AREA CALCULATIONS WORKSHEETS. Applicable parts required for all outdoor area calculations.

OLTG-4-C SIGN LIGHTING COMPLIANCE. Required for all internally and externally illuminated signs, for both indoor and outdoor signs.

2005 Nonresidential Compliance Forms April 2005

CERTIFICATE OF COMPLIANCE (Part 2 of 2) OLTG-1-C

PROJECT NAME: COLLEGE OF SAN MATEO SITE, LIGHTING SCHEDULES ON PLANS SHOW THAT OUTDOOR LIGHTING MEETS ALLOWED LIGHTING POWER

- Lighting power allowances for general site illumination on OLTG-2-C Part 1 of 4
Lighting power allowances for local ordinances or for security multipliers on OLTG-2-C Part 2 of 4
Lighting power allowances for specific applications, other than vehicle service stations with canopies on OLTG-2-C Part 3 of 4
Sign lighting compliance on OLTG-4-C

MANDATORY MEASURES ON PLANS SHOW THAT OUTDOOR LIGHTING MEETS OUTDOOR LIGHTING CONTROLS AND EQUIPMENT

- Installed lighting power has been determined in accordance with § 130(c)1
All permanently installed luminaires with lamps rated over 100 watts either have a lamp efficacy of at least 60 lumens per watt or are controlled by a motion sensor (§ 132a)
All luminaires with lamps rated greater than 175 watts in hardscape areas, including parking lots, building entrances, canopies, and all outdoor sales areas meet the Cutoff Requirements of § 132(b)
All permanently installed outdoor lighting meets the Control Requirements of § 132(c)1
Building facades, parking lots, garages, canopies, and outdoor sales areas meet the Multi-Level Lighting Requirements of § 132(e)2

MANDATORY AUTOMATIC CONTROLS table with columns: CONTROL LOCATION, CONTROL IDENTIFICATION, CONTROL TYPE, AREA CONTROLLED, NOTE TO FIELD.

2005 Nonresidential Compliance Forms April 2005

LIGHTING COMPLIANCE SUMMARY (Part 1 of 4) OLTG-2-C

PROJECT NAME: COLLEGE OF SAN MATEO SITE, DATE: 04-09-09

LIGHTING POWER ALLOWANCES - GENERAL SITE ILLUMINATION - (Table 147-A)

Table with columns: Lighting Applications Category, Allocated Watts, Luminaire, Lamps/Ballasts, Installed Watts. Rows include PARKING LOT/ROADWAY, ROADWAY, SIDEWALK/WALKWAY, LOADING DOCK, WALKWAY.

2005 Nonresidential Compliance Forms July 2005

SIGN LIGHTING COMPLIANCE OLTG-4-C

PROJECT NAME: COLLEGE OF SAN MATEO SITE, DATE: 04-09-09

Table with columns: Sign Symbol or Code, Quantity of Signs, Description or Location, Allocated Watts, Lamp/Ballast, Design Watts. Rows include WALL@FLAGPOLES, RECESSED LOW LEVEL LIGHT.

Note: If an Internally illuminated or Externally illuminated sign contains light sources and ballasts other than those included in columns (M) through (S), such as incandescent lamps, medium base sockets, magnetic ballasts, etc, then the sign must comply under Alternative 1. However, unfiltered signs, and unfiltered portions of internally and Externally illuminated signs, are not required to meet these Standards.

2005 Nonresidential Compliance Forms July 2005

TITLE 24 OUTDOOR LTG. COMPLIANCE NOTES:

- 1. AUTOMATIC CONTROL DEVICES CERTIFIED: ALL AUTOMATIC CONTROL DEVICES SHALL BE CERTIFIED BY THE STATE OF CALIFORNIA AND INSTALLED AS DIRECTED BY THE MANUFACTURER FOR PROPER CONTROL AND OPERATION.
2. CONTROL OF EXTERIOR LIGHTS: EXTERIOR MOUNTED FIXTURES ATTACHED TO OR POWERED BY THE ELECTRICAL SERVICE IN BUILDINGS THAT CONTAIN CONDITIONED SPACE SHALL BE CONTROLLED WITH A DIRECTIONAL PHOTOCELL CONTROL ON THE ROOF OR AN ASTRONOMICAL TIME SWITCH AND A CORRESPONDING ELECTRICAL CONTACTOR THAT AUTOMATICALLY TURNS OFF THE EXTERIOR LIGHTING WHEN DAYLIGHT IS AVAILABLE.
3. LUMINAIRE CUTOFF REQUIREMENTS: ALL OUTDOOR LUMINAIRES THAT USE LAMPS RATED GREATER THAN 175 WATTS IN HARDSCAPE AREAS INCLUDING PARKING LOTS, BUILDING ENTRANCES, SALES AND NON-SALES CANOPIES, AND ALL OUTDOOR SALES AREAS SHALL BE DESIGNATED 'CUTOFF' FOR LIGHT DISTRIBUTION.

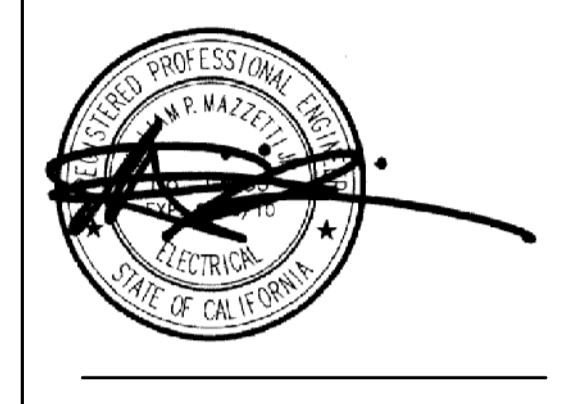
GENERAL NOTES

- A THE (5) TYPE 'MM14' SIGN WALL UPLIGHT FIXTURES ARE EXEMPT FROM THE LUMINAIRE CUTOFF REQUIREMENT PER TITLE 24 SEC. 132(b), EXCEPTION #1: "...EXTERNALLY ILLUMINATED ... SIGNS."
B THE (3) TYPE 'MM16' FLAGPOLE UPLIGHTING FIXTURES ARE EXEMPT FROM THE LUMINAIRE CUTOFF REQUIREMENT PER TITLE 24 SEC. 132(b), EXCEPTION #2: "LIGHTING FOR ... PUBLIC MONUMENTS"
C POOL AREA LIGHTING IS NOT REGULATED BY TITLE 24 REQUIREMENTS, AS PER TABLE 6-1, OF SECTION 6.1.2 "SCOPE OF APPLICATION", OF 2005 NON-RESIDENTIAL COMPLIANCE MANUAL.



McCarthy Building Companies, Inc. 343 Sansome Street, 14th Floor San Francisco, California 94104 P 415 1364-1339 F 415 1397-5999

ROSENDIN ELECTRIC logo and contact information: 770 JOE AVENUE, SAN JOSE, CA 95128-2800



IDENTIFICATION STAMP ON OF THE STATE ARCHITECT OFFICE OF REGULATION SERVICE. APPL. # 01-110097. DATE: _____

This set of other project documents and all files, methods, and design incorporated herein are instruments of service. All project documents are the registered property of LPA, INC. (LPA) and cannot be freely used, re-printed, or re-sold for any project or purpose other than intended. In the event of any agreement between McCarthy and the District, LPA hereby agrees to indemnify and hold the District harmless from any and all claims, damages, losses, expenses, attorney's fees, and costs of defense and reasonable attorneys' fees and LPA's consultants make no representation concerning the accuracy of documents and do not represent for any discrepancies between project documents and the reality conditions.

College of San Mateo Site Package San Mateo, CA

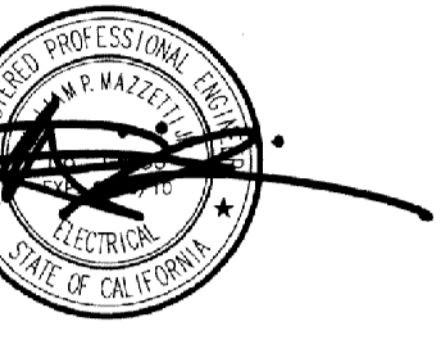
Developed for San Mateo County Community College District

Revision table with columns: Revision, Description, Date. Rows include DSA SUBMITTAL, DSA FINAL, DSA USER COMMENTS-REV 18, etc.

DRAWING OF RECORD stamp with date 11/04/11 and project details.

Job No. 300085, Date 09 APRIL 2009, Drawn by REI CAD TEAM, Checked by THSFRW, Scale AS SHOWN.

Title 24 Compliance E0.02



IDENTIFICATION STAMP
OF THE STATE ARCHITECT
OFFICE OF REGULATION SERVICE
APPL. # 01-110097
AC _____ FLS _____ SS _____
DATE _____
FILE NUMBER _____

This and all other project documents and all ideas, methods, and designs incorporated herein are instruments of service. All project documents are the registered property of LPA, Inc. (LPA) and cannot be used, copied, or in part or in whole, for any project or purpose other than that intended in the contract agreement between McCarthy and the District. LPA hereby gives license herein that any such project document, reproduction or modification (revised) is not only unlawful but constitutes a breach of contract between LPA and McCarthy. LPA hereby reserves the right to terminate this license, whenever, where or whenever arising directly or indirectly from project document. LPA hereby reserves the right to terminate this license, whenever, where or whenever arising directly or indirectly from project document. LPA and LPA's consultants make no representation concerning the accuracy of documents and are not responsible for any discrepancies between project documents and the reality conditions.

© Copyright 2008

College of San Mateo
Site Package
San Mateo, CA

Developed for
San Mateo County Community College District

LIGHTING FIXTURE SCHEDULE						
LIGHTING FIXTURE CATALOG NUMBERS ARE SERIES TYPE ONLY. PROVIDE TRIMS, BALLASTS, MOUNTING EQUIPMENT, FITTINGS AND LAMPS AS REQUIRED BY THE SPECIFICATIONS AND PROJECT CONDITIONS FOR A COMPLETE INSTALLATION.						
TYPE:	DESCRIPTION:	MANUFACTURER AND CATALOG NO.:	VOLTAGE:	LAMP:	WATTS PER LUMINAIRE:	REMARKS:
B	23 FT. TALL BY 5" DIA. POLE-MOUNT SINGLE FIXTURE ON FLUSH BASE PER DETAIL 2/SEO.04, WITH CAST ALUMINUM HOUSING, IP66 COMPLIANT SILICONE GASKETING SEAL, TEMPERED CLEAR GLASS LENS, TYPE "Y" OPTICAL DISTRIBUTION, POLYESTER POWDER COAT PAINT COLOR TO BE DETERMINED BY ARCHITECT, AND STRAIGHT ROUND STEEL POLE. LISTED FOR WET LOCATION. "DARK SKY" COMPLIANT CUTOFF LIGHT DISTRIBUTION. POLE & FIXTURE OVERALL HEIGHT @ 25 FT.	DIVERSIFIED: MSA-400-MP-MT-SS-FG-XX-L 2307-2-A002-250MP-T3-277-BR-PS-DARK SKY	277V	2-400W/ED28 PULSE START METAL HALIDE	452	
BR (Not Used)	20 FT. TALL BY 5" DIA. POLE-MOUNT FIXTURE SIMILAR TO TYPE "B", EXCEPT WITH RAISED BASE PER DETAIL 3/SEO.04. RAISED BASED, POLE & FIXTURE OVERALL HEIGHT 25 FT.	COOPER LIGHTING INVUE MESA MSA-400-MP-MT-SS-FG-XX-L POLE: COOPER SRXSM21S-SG	277V	1-400W/ED28 PULSE START METAL HALIDE	452	
B2 (Not Used)	DUAL ARM POLE MOUNT FIXTURE SIMILAR TO TYPE "B" ON FLUSH MOUNT BASE.	COOPER LIGHTING INVUE MESA MSA-400-MP-MT-SS-FG-XX-L POLE: COOPER SRXSM21S-SG DUAL ARM: COOPER VAB028-XX	277V	2-400W/ED28 PULSE START METAL HALIDE	904	
B2R	DUAL ARM POLE MOUNT FIXTURE SIMILAR TO TYPE "B" ON RAISED BASE PER DETAIL 3/SEO.04. 20 FT. TALL BY 5" DIA. POLE. RAISED BASED, POLE & FIXTURE OVERALL HEIGHT 25 FT.	DIVERSIFIED: 2307-2-A002-250MP-T3-277-BR-PS-DARK SKY	277V	2-400W/ED28 PULSE START METAL HALIDE	904	
M2	17 FT. TALL BY 4" DIA. POLE-MOUNT SINGLE FIXTURE ON FLUSH BASE PER DETAIL 2/SEO.04, WITH CAST ALUMINUM HOUSING, IP66 COMPLIANT SILICONE GASKETING SEAL, TEMPERED CLEAR GLASS LENS, TYPE "I" OPTICAL DISTRIBUTION, POLYESTER POWDER COAT PAINT COLOR TO BE DETERMINED BY ARCHITECT, AND STRAIGHT ROUND STEEL POLE. LISTED FOR WET LOCATION. "DARK SKY" COMPLIANT CUTOFF LIGHT DISTRIBUTION.	DIVERSIFIED: 2307-1-A002-150MH-T2-277-BR-PS-DARK SKY	277V	1-150W/ED17 PULSE START METAL HALIDE	185	
M6	42" TALL BY 8" DIA. LIGHT BOLLARD ON FLUSH BASE PER DETAIL 1/SEO.04, OF SPUN AND CAST ALUMINUM WITH CLEAR TEMPERED GLASS JAR LENS. BAKED ENAMEL PAINT COLOR TO BE DETERMINED BY ARCHITECT. LISTED FOR WET LOCATION.	ALLSCAPE LL-314-100W MH E17-277-41"-Finish Finish T.B.D.	277V	1-100W/ED17 PULSE START METAL HALIDE	185	
MM3	17 FT. TALL BY 4" DIA. POLE-MOUNT SINGLE FIXTURE ON FLUSH BASE PER DETAIL 2/SEO.04, WITH HEAVY GAUGE ALUMINUM HOUSING, IP66 COMPLIANT SILICONE GASKETING SEAL, TEMPERED CLEAR GLASS LENS, TYPE "I" OPTICAL DISTRIBUTION, POLYESTER POWDER COAT PAINT COLOR TO BE DETERMINED BY ARCHITECT, AND STRAIGHT ROUND STEEL POLE. LISTED FOR WET LOCATION. "DARK SKY" COMPLIANT CUTOFF LIGHT DISTRIBUTION.	DIVERSIFIED: 2307-1-A002-200MP-T3-277-BR-PS-DARK SKY	277V	1-200W/T15 PULSE START METAL HALIDE	232	
MM3A	SAME AS "MM3" EXCEPT DOUBLE HEAD DISTRIBUTION, SIMILAR TO TYPE "MM3", ON FLUSH BASE PER DETAIL 2/SEO.04.	DIVERSIFIED: 2307-1-A002-200MP-T3-277-BR-PS-DARK SKY	277V	1-200W/T15 PULSE START METAL HALIDE	232	
MM2	POLE-MOUNT FIXTURE SIMILAR TO TYPE "MM3", EXCEPT WITH TYPE "I" OPTICAL DISTRIBUTION	DIVERSIFIED: 2307-1-A002-200MP-T2-277-BR-PS-DARK SKY	277V	1-200W/T15 PULSE START METAL HALIDE	232	
MM4 (Not Used)	POLE-MOUNT SINGLE HEAD FIXTURE WITH TYPE "Y" OPTICAL DISTRIBUTION, SIMILAR TO TYPE "MM3", ON FLUSH BASE PER DETAIL 2/SEO.04.	COOPER LIGHTING INVUE MESA MSA-200-MP-MT-4S-FG-XX-L POLE: COOPER SRX4A17S-SG	277V	1-200W/T15 PULSE START METAL HALIDE	232	
MM5 (Not Used)	POLE-MOUNT SINGLE HEAD FIXTURE WITH TYPE "Y" OPTICAL DISTRIBUTION, SIMILAR TO TYPE "MM3", ON FLUSH BASE PER DETAIL 2/SEO.04.	COOPER LIGHTING INVUE MESA MSA-200-MP-MT-SS-FG-XX-L POLE: COOPER SRX4A17S-SG	277V	1-200W/T15 PULSE START METAL HALIDE	232	
MMSL (Not Used)	POLE-MOUNT SINGLE HEAD FIXTURE WITH "FORWARD THROW" AND "SPILL LIGHT ELIMINATOR" DISTRIBUTION, SIMILAR TO TYPE "MM3", ON FLUSH BASE PER DETAIL 2/SEO.04.	COOPER LIGHTING INVUE MESA MSA-200-MP-MT-SL-FG-XX-L POLE: COOPER SRX4A17S-SG	277V	1-200W/T15 PULSE START METAL HALIDE	232	
MMSL1	WALL MOUNT SINGLE FIXTURE WITH CAST ALUMINUM HOUSING, IP66 COMPLIANT SILICONE GASKETING SEAL, TEMPERED CLEAR GLASS LENS, "FORWARD THROW" AND "SPILL LIGHT ELIMINATOR" DISTRIBUTION, POLYESTER POWDER COAT PAINT COLOR TO BE DETERMINED BY ARCHITECT, AND STRAIGHT ROUND STEEL POLE. LISTED FOR WET LOCATION. "DARK SKY" COMPLIANT CUTOFF LIGHT DISTRIBUTION.	DIVERSIFIED: 2307-1-A002-200MP-T3-277-BR-PS-DARK SKY	277V	1-200W/ED28 PULSE START METAL HALIDE	232	
MM12	RECESSED LOW-LEVEL LED LIGHT FIXTURE AT TRIANGULAR WALL. LISTED FOR WET LOCATION. WHITE PAINTED FINISH.	JO LIGHTING PLANE STEPLIGHT 0-01-SL-SK--SK-100-4-277V	277V	LED 5000K	9.75	
MM13	RECESSED STEPLIGHT FOR CONCRETE POUR, LISTED FOR WET LOCATION. WHITE FINISH, ELECTRONIC BALLAST, AND POLYCARBONATE LENS.	FC LIGHTING FC3LS04-277V-2/42T-E-WH-PCL	277V	2-42W COMPACT FLUOR.	84	
MM14	4' LONG ABOVE GROUND WALLWASH FIXTURE, LISTED FOR WET LOCATION, WITH ELECTRONIC BALLAST, AND FINISH AS SELECTED BY ARCHITECT.	LIGHTWAY FWL-48-11-1FS4HO-FINISH SELECTED BY ARCHITECT	277V	1-54TSHO 3500 K FLUOR.	62	
MM15	ABOVE GROUND UPLIGHT AT PLASTER, LISTED FOR WET LOCATION, WITH CENTER REAR SWIVEL KNUCKLE MOUNTING, AND REMOTE 12V TRANSFORMER.	COOPER LTG. CAMBRIA 204-DRS-75MR16-12V-WT; REMOTE 12V TRANSFORMER	277V	1-75W MR16 12V	75	
MM16	IN-GROUND UPLIGHT FOR FLAG POLE, LISTED FOR WET LOCATION, WITH ALUMINUM HOUSING, CLEAR FLAT LENS AT 20 DEGREE TILT, AND PULSE START BALLAST.	HYOREL MR020-A-320W-277-SP-FLC20-TBD- TBD-GPSB-?-Finish TBD	277V	1-320W/SPOT ED37 MGRUL METAL HALIDE	365	
E1	SINGLE HEAD "COBRA" STYLE POLE MOUNT EXTERIOR FIXTURE ON 30' TALL POLE, WITH 6' LONG ARM. SHORT SEMI CUTOFF-TYPE III	GENERAL ELECTRIC MDRL-400-MH-5-A-1-2-R-MS3-1	480V	1-400W METAL HALIDE	452	
E2	TWIN HEAD "COBRA" STYLE POLE MOUNT EXTERIOR FIXTURE ON 30' TALL POLE, WITH TWO 6' LONG ARMS. SHORT SEMI CUTOFF-TYPE III	GENERAL ELECTRIC MDRL-400-MH-5-A-1-2-R-MS3-1- TWIN	480V	2-400W METAL HALIDE	904	
P1	POOL AREA POLE MOUNTED EXTERIOR FIXTURE WITH 40' TALL POLE, TWIN-HEAD FIXTURE MOUNTING.	MUSCO GREEN GENERATION	480V 3 Phase	2-1500W MZ METAL HALIDE	4733	
E1-LED	SINGLE HEAD "LEDway Streetlight- Type II" POLE MOUNT EXTERIOR FIXTURE ON 30' TALL POLE, WITH 6' LONG SINGLE ARM. WITH NEMA PHOTOCELL RECEPTACLE.	LIGHTING SYSTEMS: LEDway Streetlight- Type II BLD-STR-T2-HT-102-LED-B-UH-SV-R	480V	#-120 LED	232	LOCATION: PARKING LOTS 1, 2, 3
E1-A-LED	SINGLE HEAD "LEDway Streetlight- Type II Medium" POLE MOUNT EXTERIOR FIXTURE ON 30' TALL POLE, WITH 6' LONG SINGLE ARM. WITH NEMA PHOTOCELL RECEPTACLE.	BETA : LEDway Streetlight- Type II Medium STR-LWY-2M-HT-08-C-UL-SV	277V	#-80 LED	194	LOCATION: AT LOOP ROAD
E2-LED	DOUBLE HEAD "LEDway Streetlight- Type II" POLE MOUNT EXTERIOR FIXTURE ON 30' TALL POLE, WITH 6' LONG DOUBLE ARM. WITH NEMA PHOTOCELL RECEPTACLE.	LIGHTING SYSTEMS: LEDway Streetlight- Type II BLD-STR-T2-HT-102-LED-B-UH-SV-R	480V	#-120 LED (per head)	232 (per head)	LOCATION: PARKING LOTS 1, 2, 3

DRAWING OF RECORD
ROSENDIN ELECTRIC, INC.
DATE: 11/04/11

Revision	Description	Date
19	SEPT 2008	
18	APRIL 2008	
17	APRIL 2008	
16	APRIL 2008	
15	APRIL 2008	
14	APRIL 2008	
13	APRIL 2008	
12	APRIL 2008	
11	APRIL 2008	
10	APRIL 2008	
9	APRIL 2008	
8	APRIL 2008	
7	APRIL 2008	
6	APRIL 2008	
5	APRIL 2008	
4	APRIL 2008	
3	APRIL 2008	
2	APRIL 2008	
1	APRIL 2008	

Revision	Description	Date
19	SEPT 2008	
18	APRIL 2008	
17	APRIL 2008	
16	APRIL 2008	
15	APRIL 2008	
14	APRIL 2008	
13	APRIL 2008	
12	APRIL 2008	
11	APRIL 2008	
10	APRIL 2008	
9	APRIL 2008	
8	APRIL 2008	
7	APRIL 2008	
6	APRIL 2008	
5	APRIL 2008	
4	APRIL 2008	
3	APRIL 2008	
2	APRIL 2008	
1	APRIL 2008	

Job No.	300085
Date	09 APRIL 2009
Drawn by	REI/CAD TEAM
Checked by	THS/RWR
Scale	AS SHOWN

Lighting Fixture
Schedule

E0.03

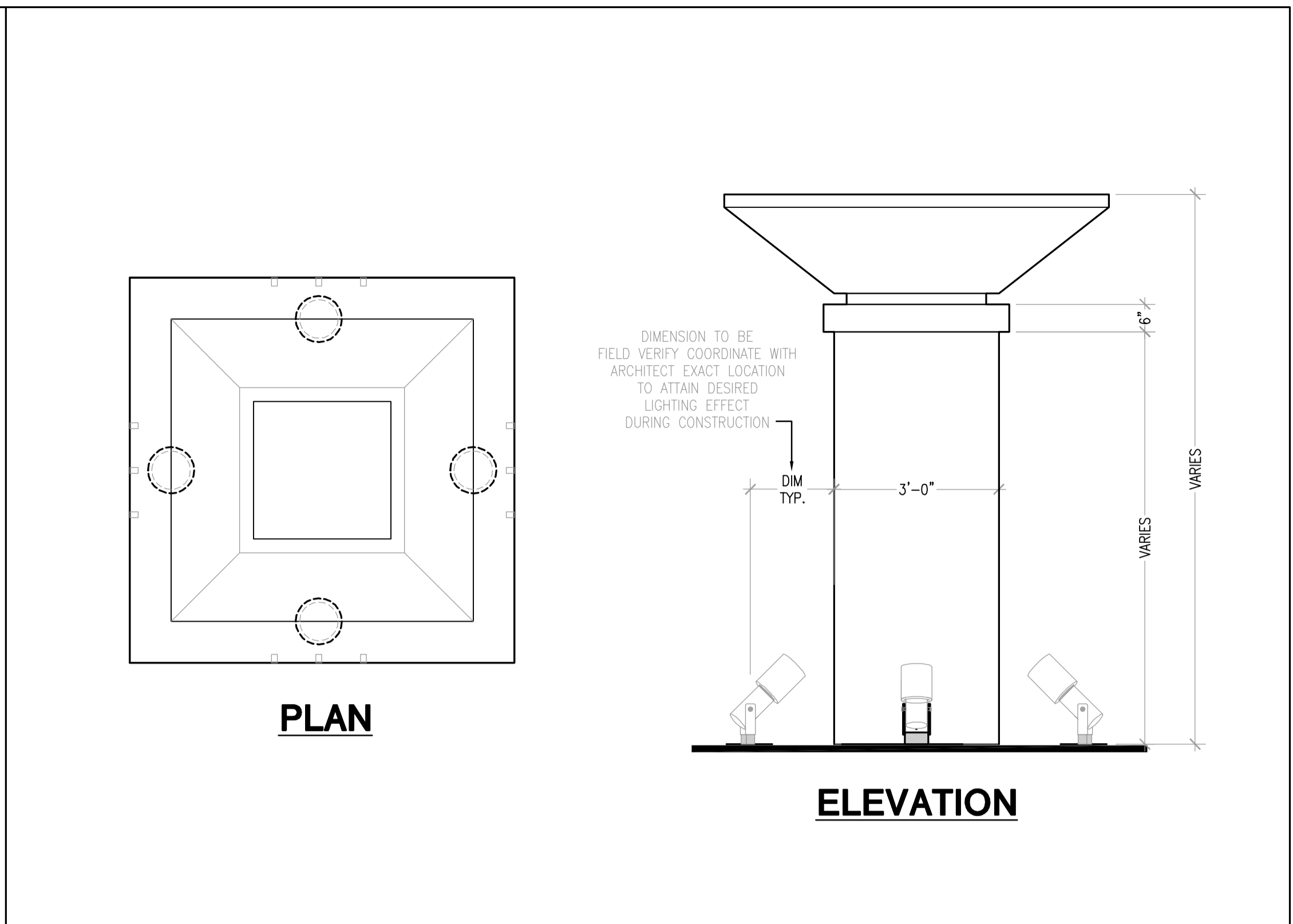
Revision	Description	Date
19	SEPT 2008	
20	APRIL 2009	
21	OCT 2009	
22	OCT 2009	
23	OCT 2009	
24	OCT 2009	
25	AUG 2010	
26	AUG 2010	
27	NOV 2011	

Revision	Description	Date
19	SEPT 2008	
20	APRIL 2009	
21	OCT 2009	
22	OCT 2009	
23	OCT 2009	
24	OCT 2009	
25	AUG 2010	
26	AUG 2010	
27	NOV 2011	

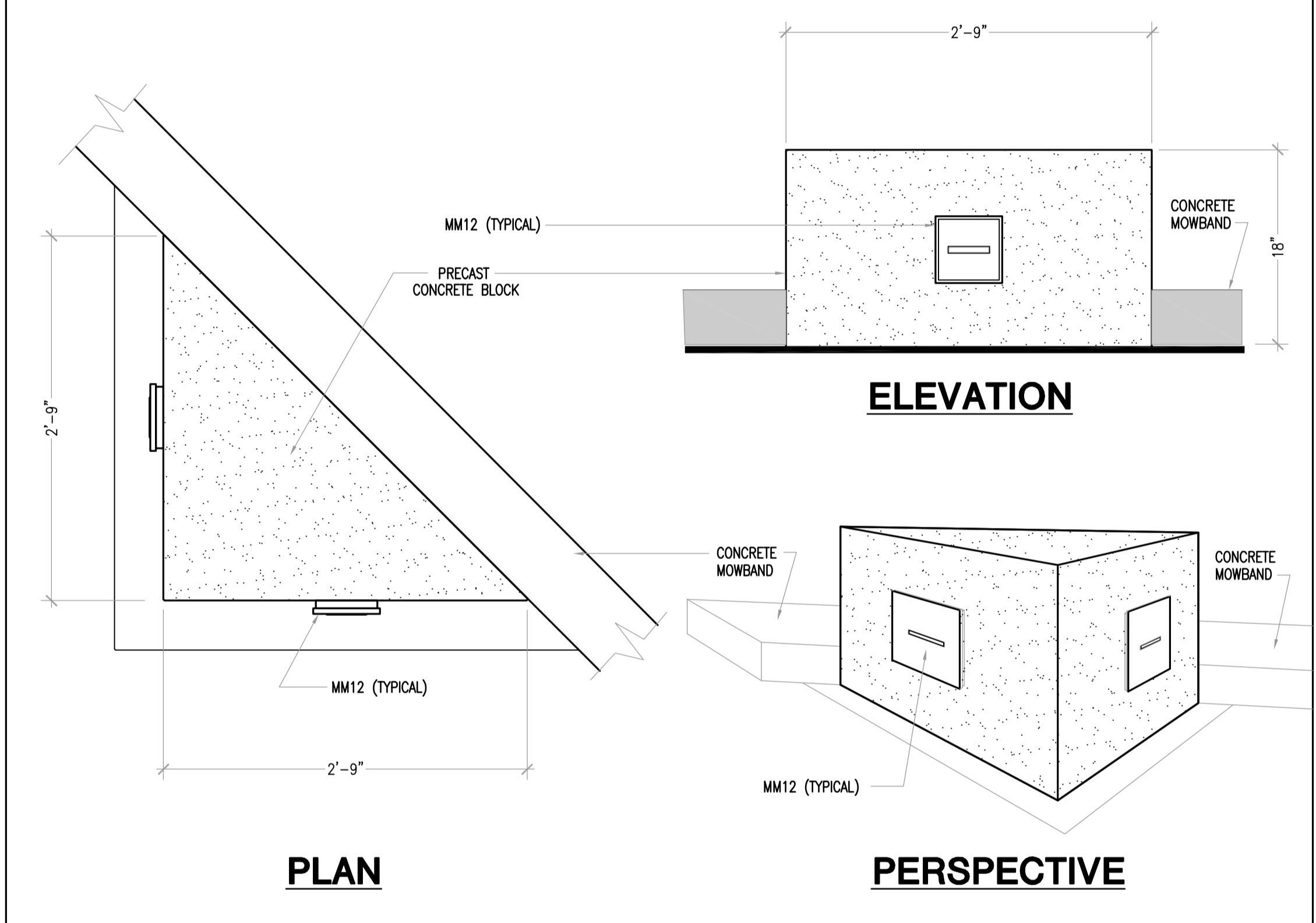
Job No.	
Date	
Drawn by	
Checked by	
Scale	AS SHOWN

Electrical
Details

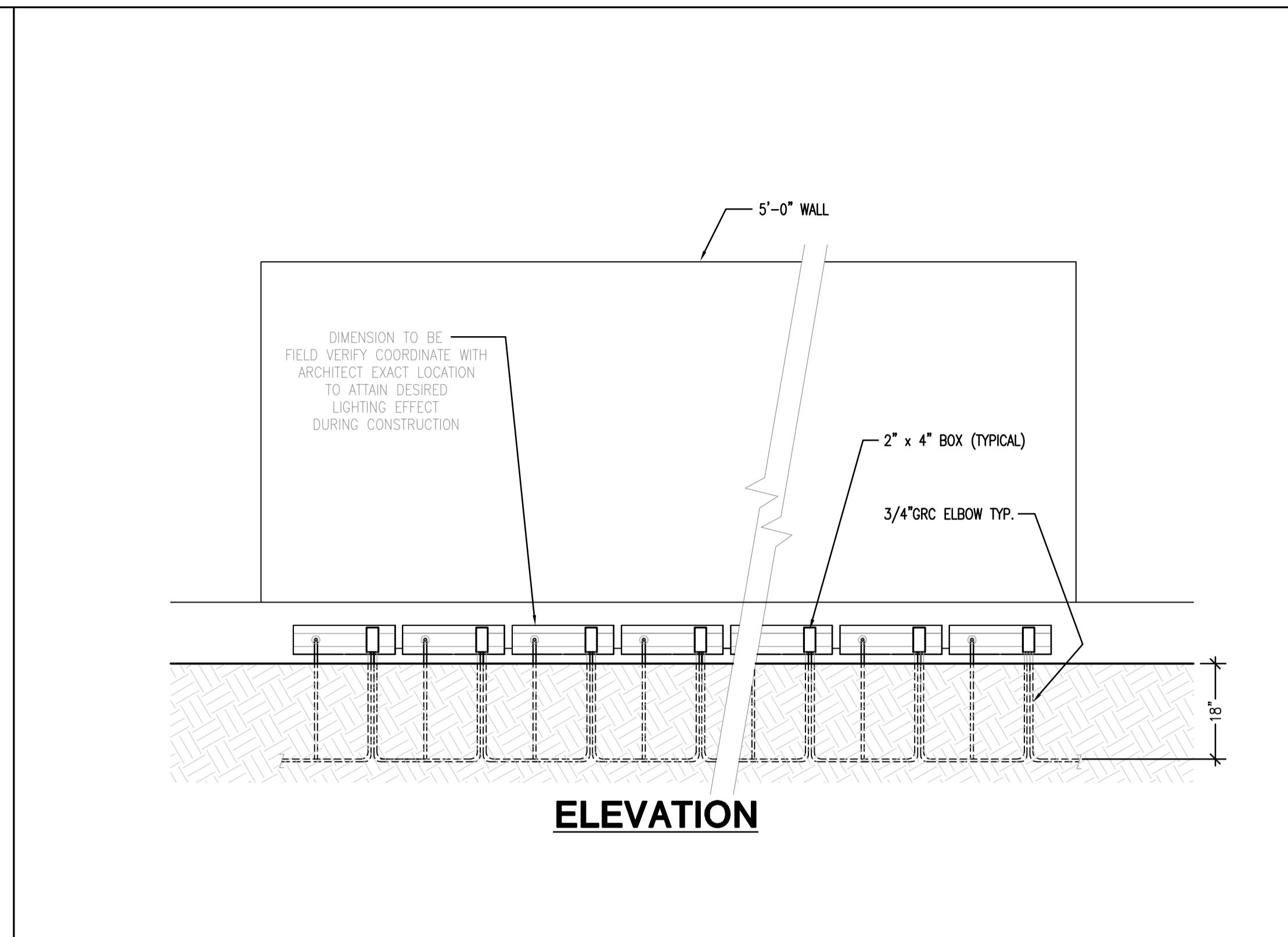
E0.04



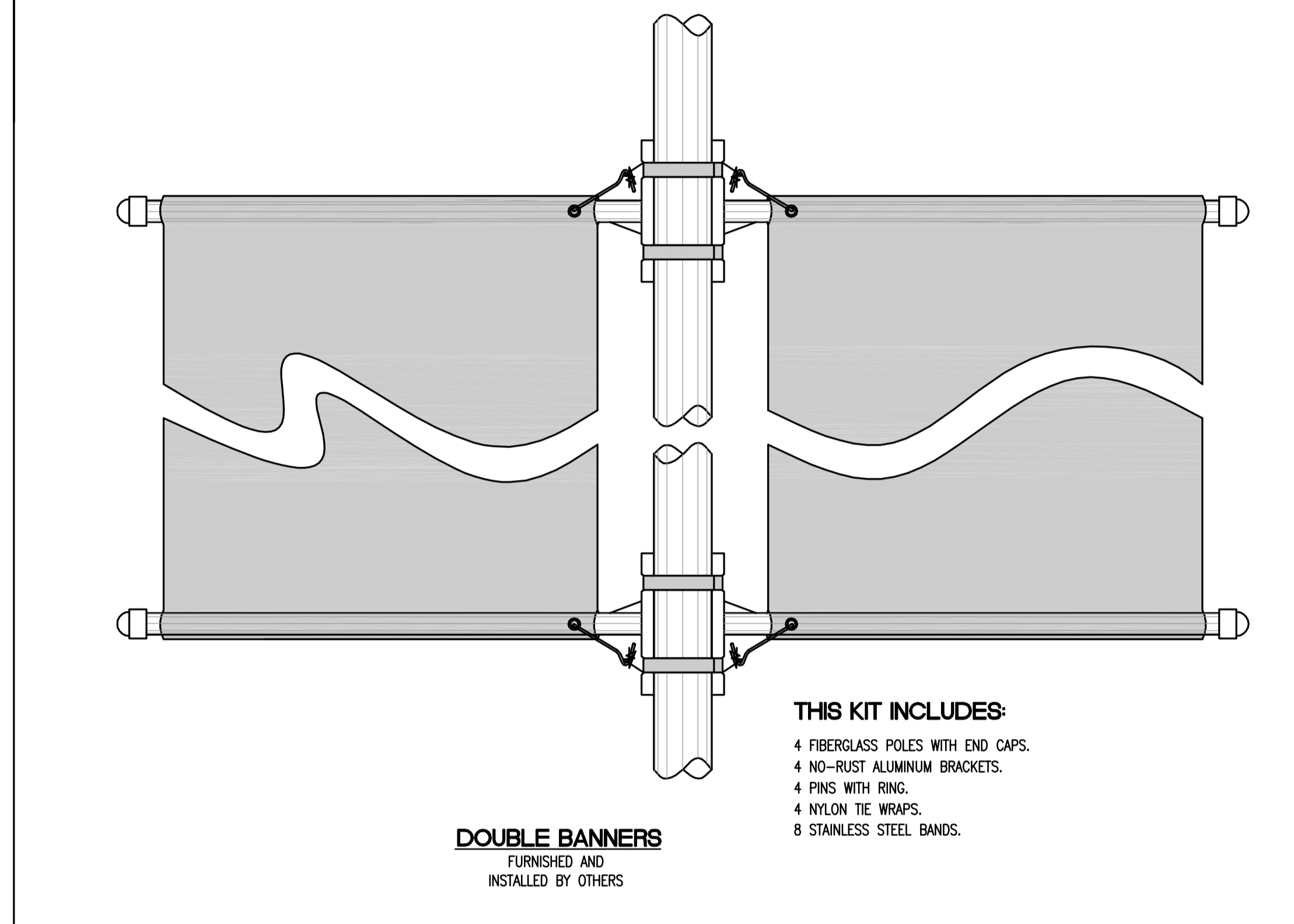
9 TYPE 'MM15' UPLIGHT AT PILASTERS
ED.04 NO SCALE



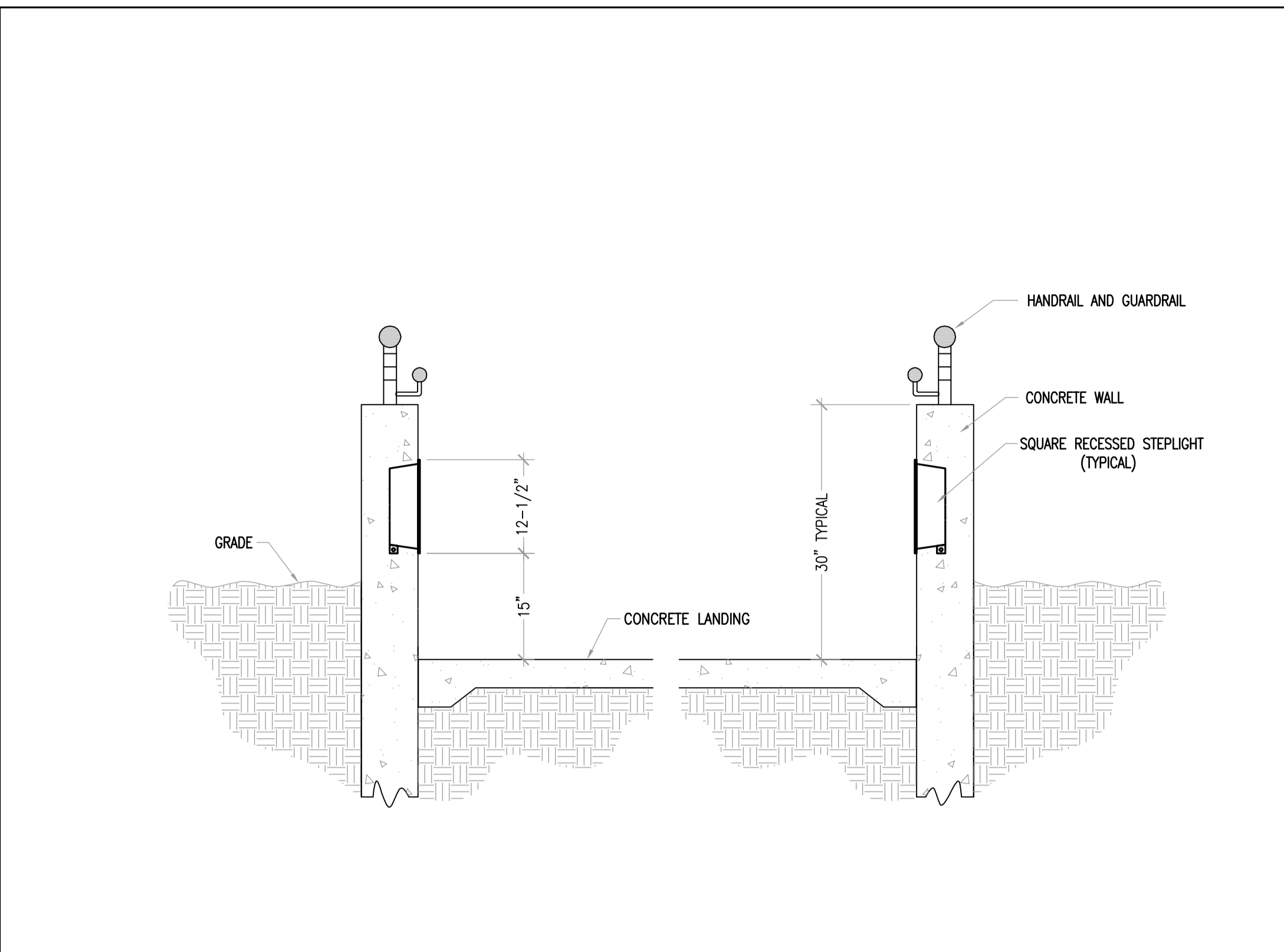
4 TYPE 'MM12' LED FIXTURE @ TRIANGULAR WALLS
ED.04 NO SCALE



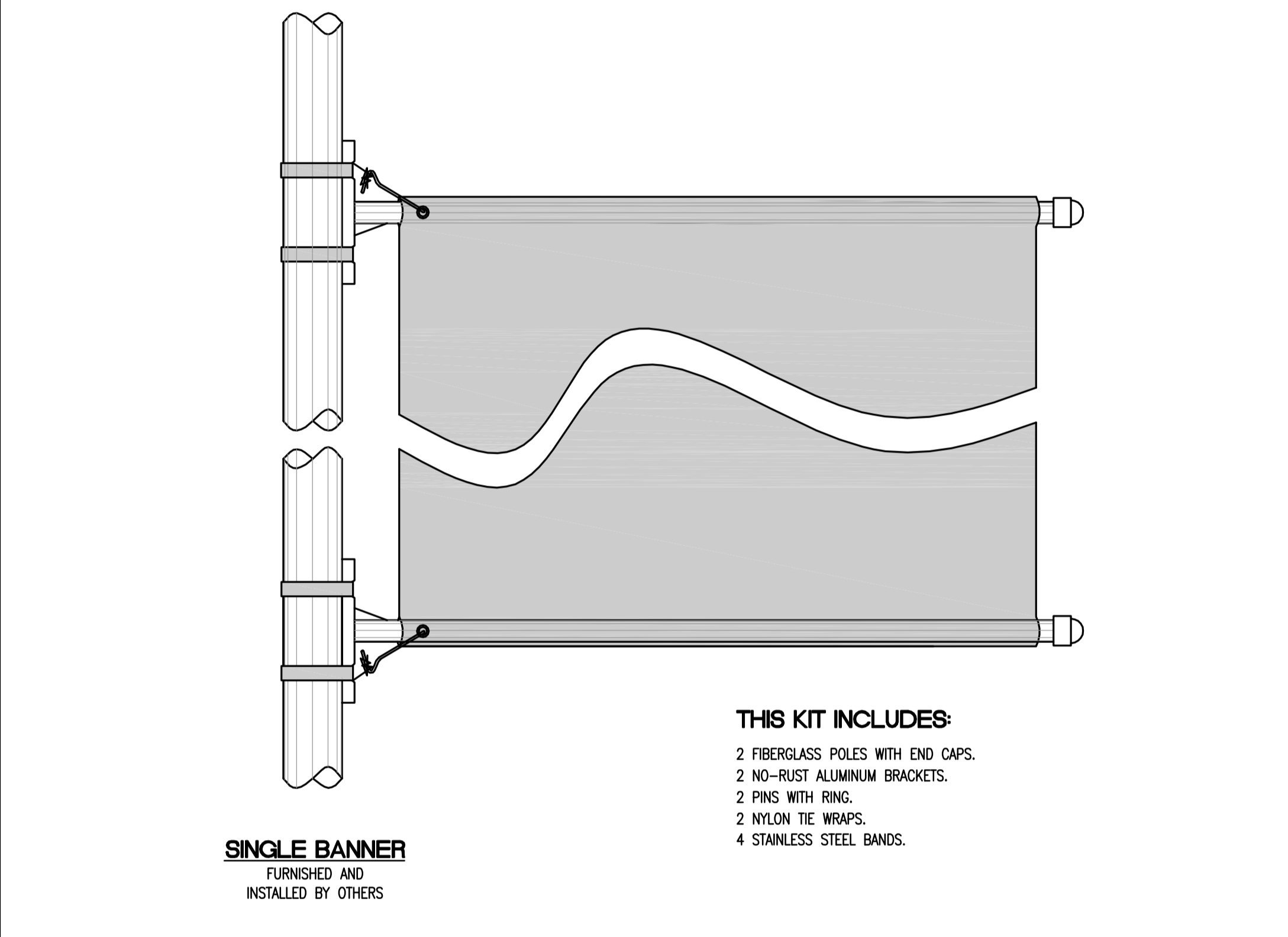
8 TYPE 'MM14' WALLWASH FIXTURES
ED.04 NO SCALE



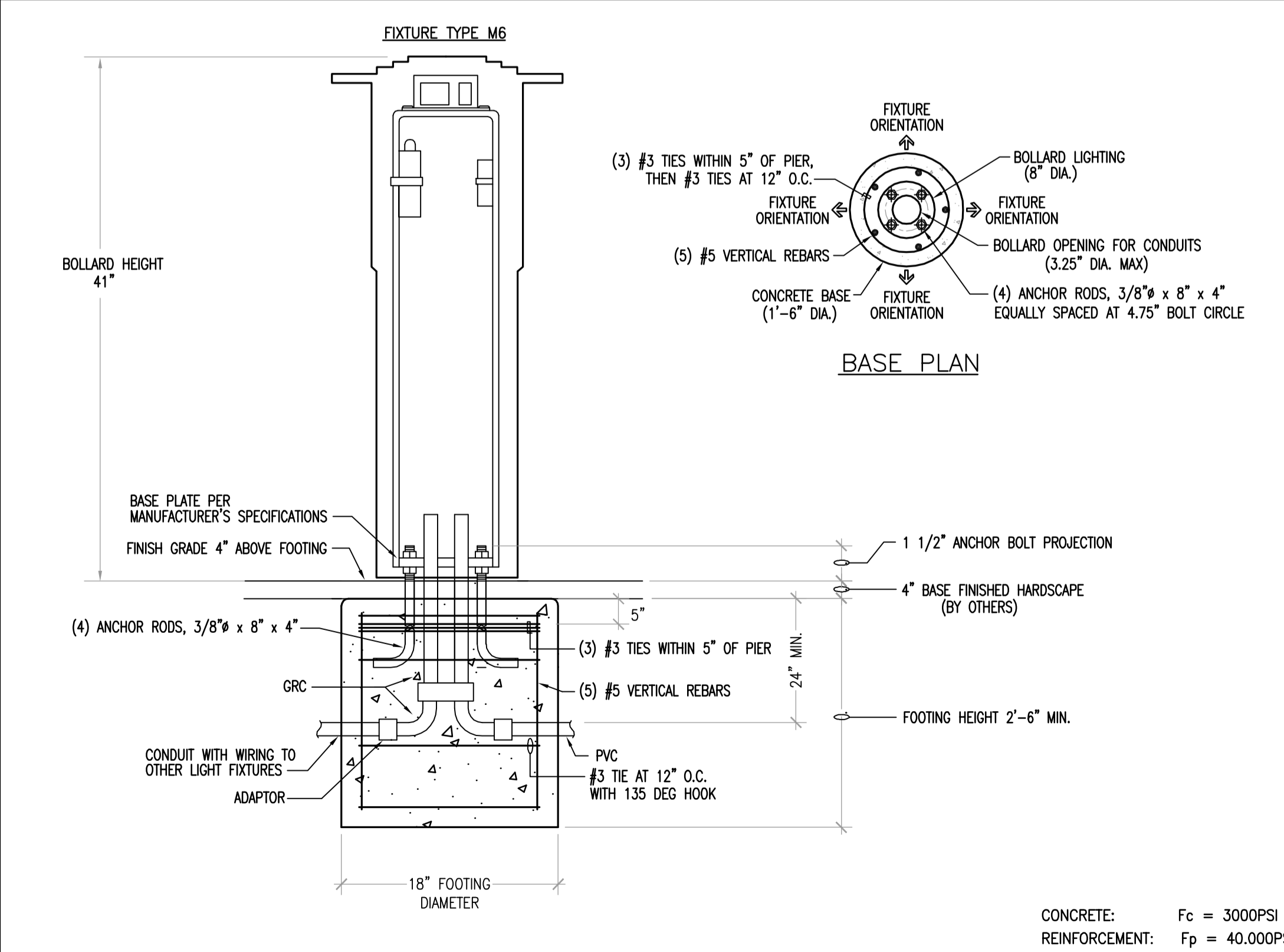
7 TYPE 'MM13' STEPLIGHT FIXTURES
ED.04 NO SCALE



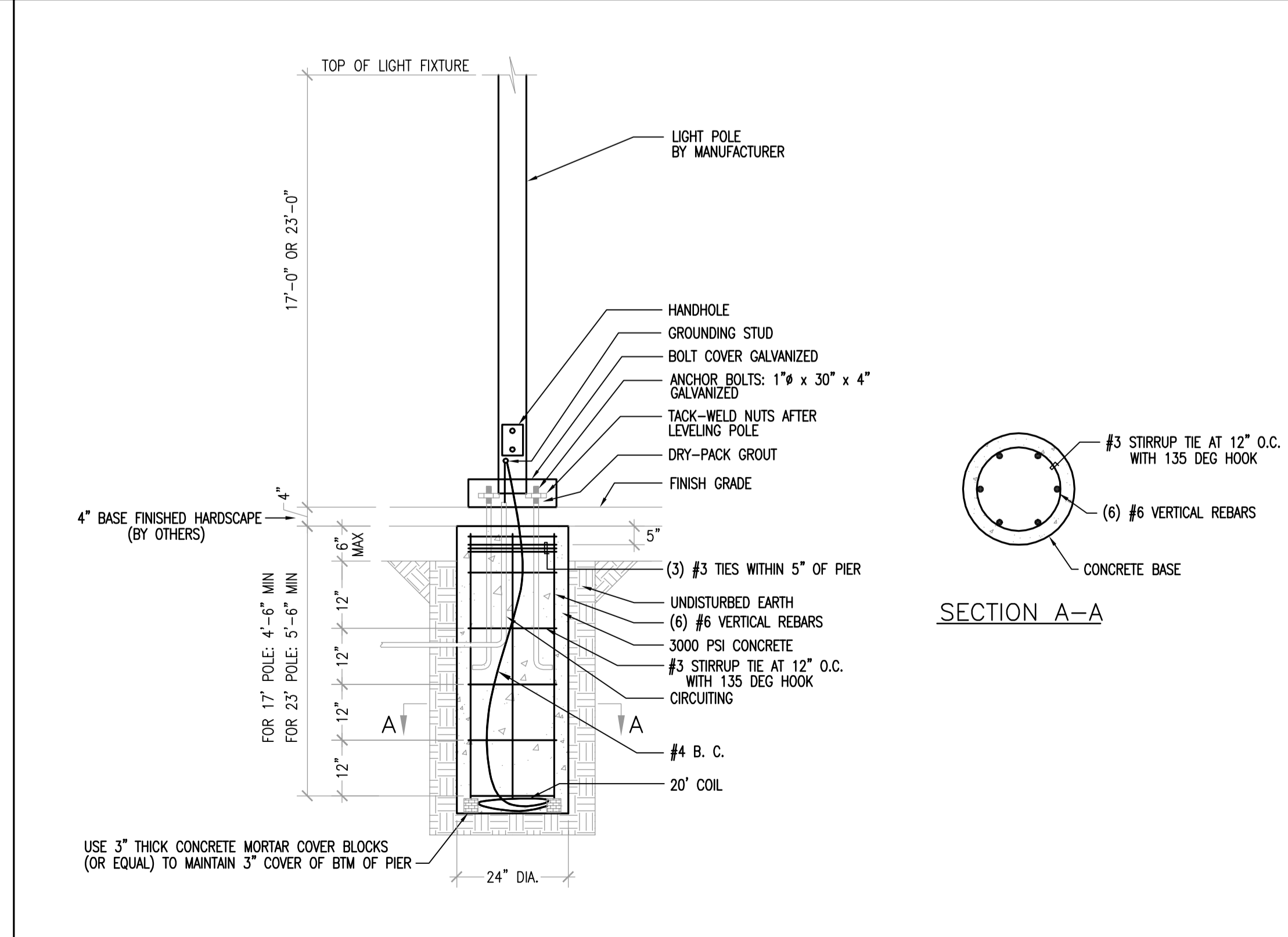
7 TYPE 'MM11' STEPLIGHT FIXTURES
ED.04 NO SCALE



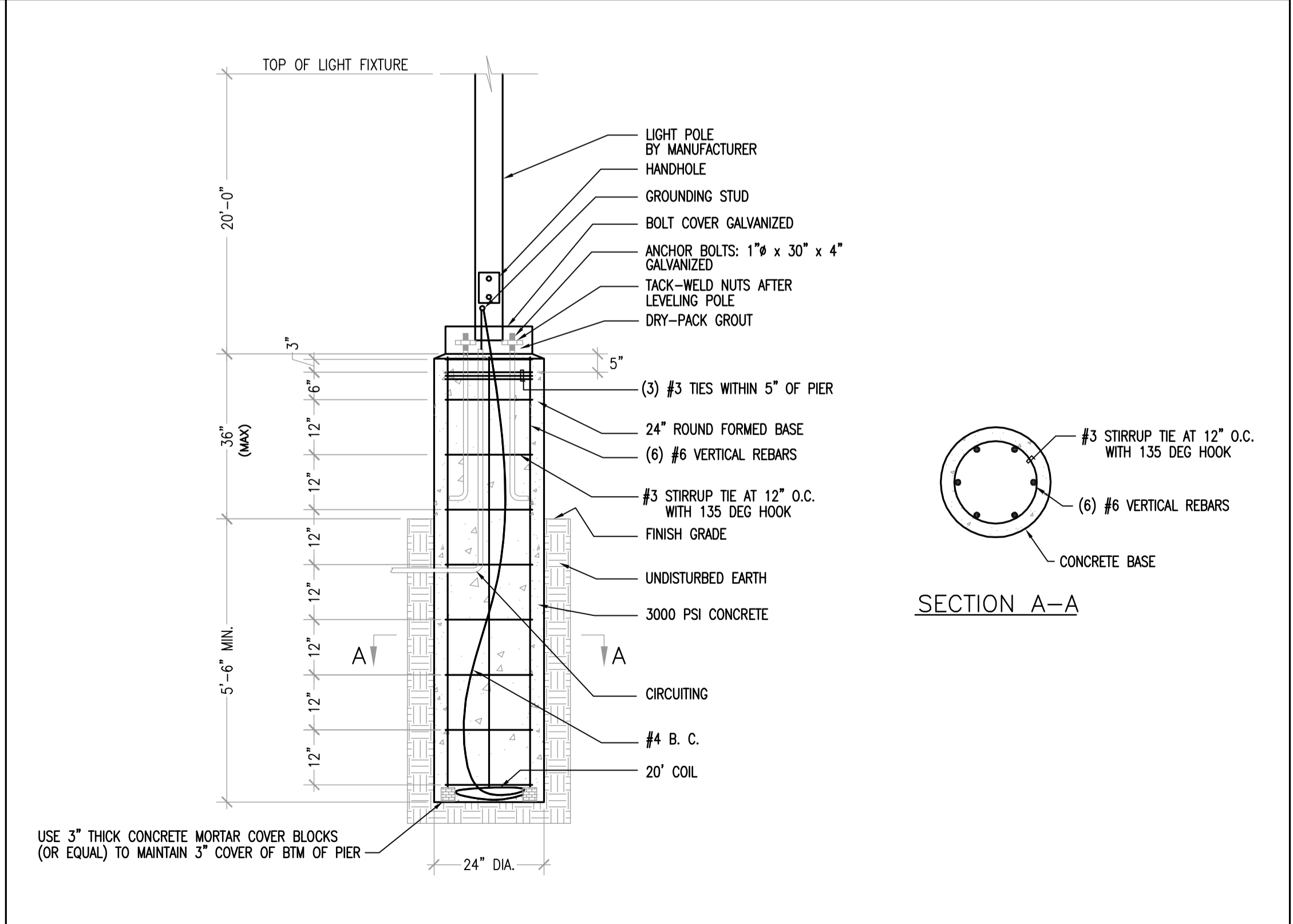
8 TYPE 'MM14' WALLWASH FIXTURES
ED.04 NO SCALE



1 CONCRETE FOOTING DETAIL FOR BOLLARD LIGHT (M6)
ED.04 NO SCALE



2 FLUSH POLE BASE DETAIL: 17', 23' POLES
ED.04 NO SCALE



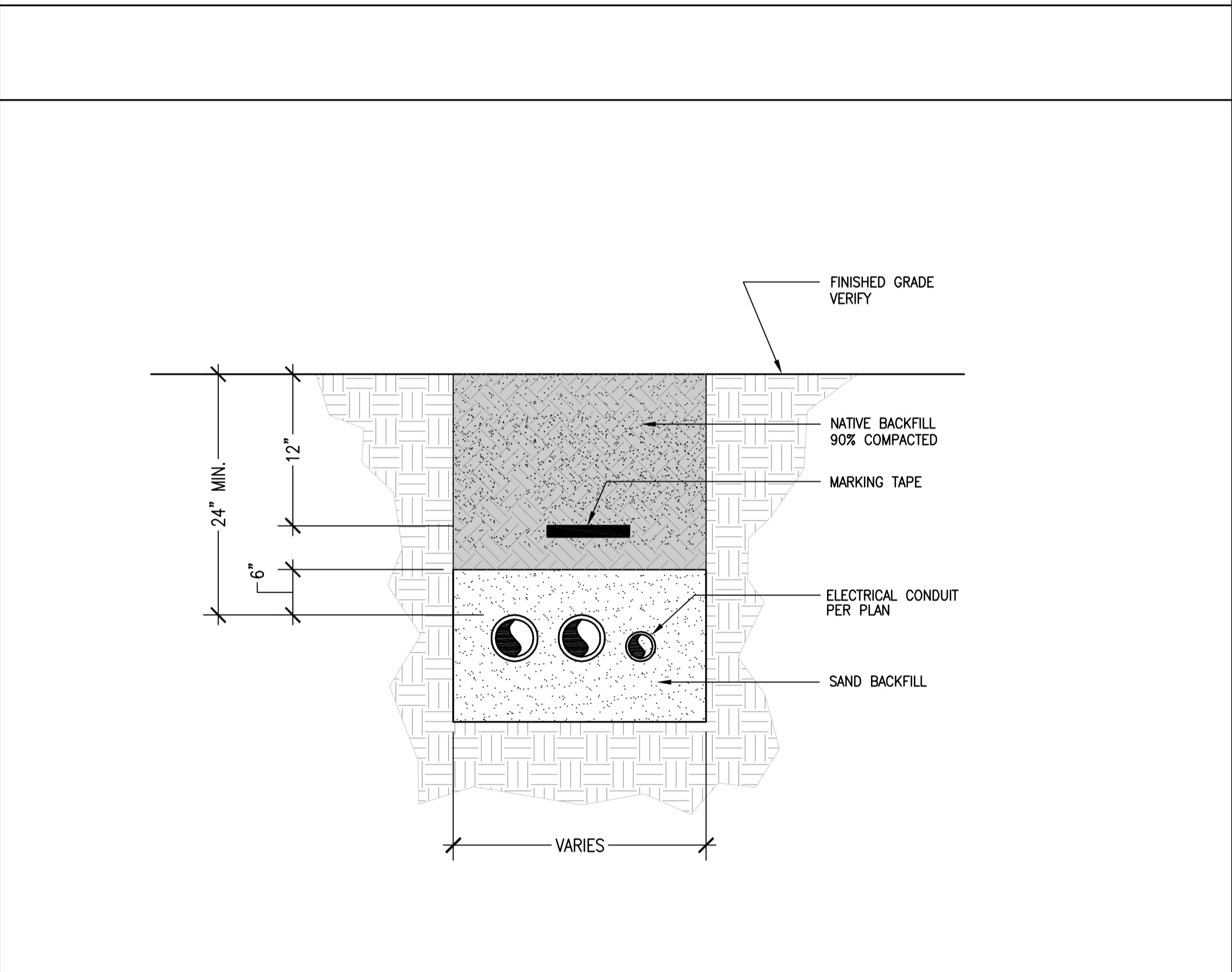
3 RAISED POLE BASE DETAIL: 20' POLES
ED.04 NO SCALE

Revision	Description	Date

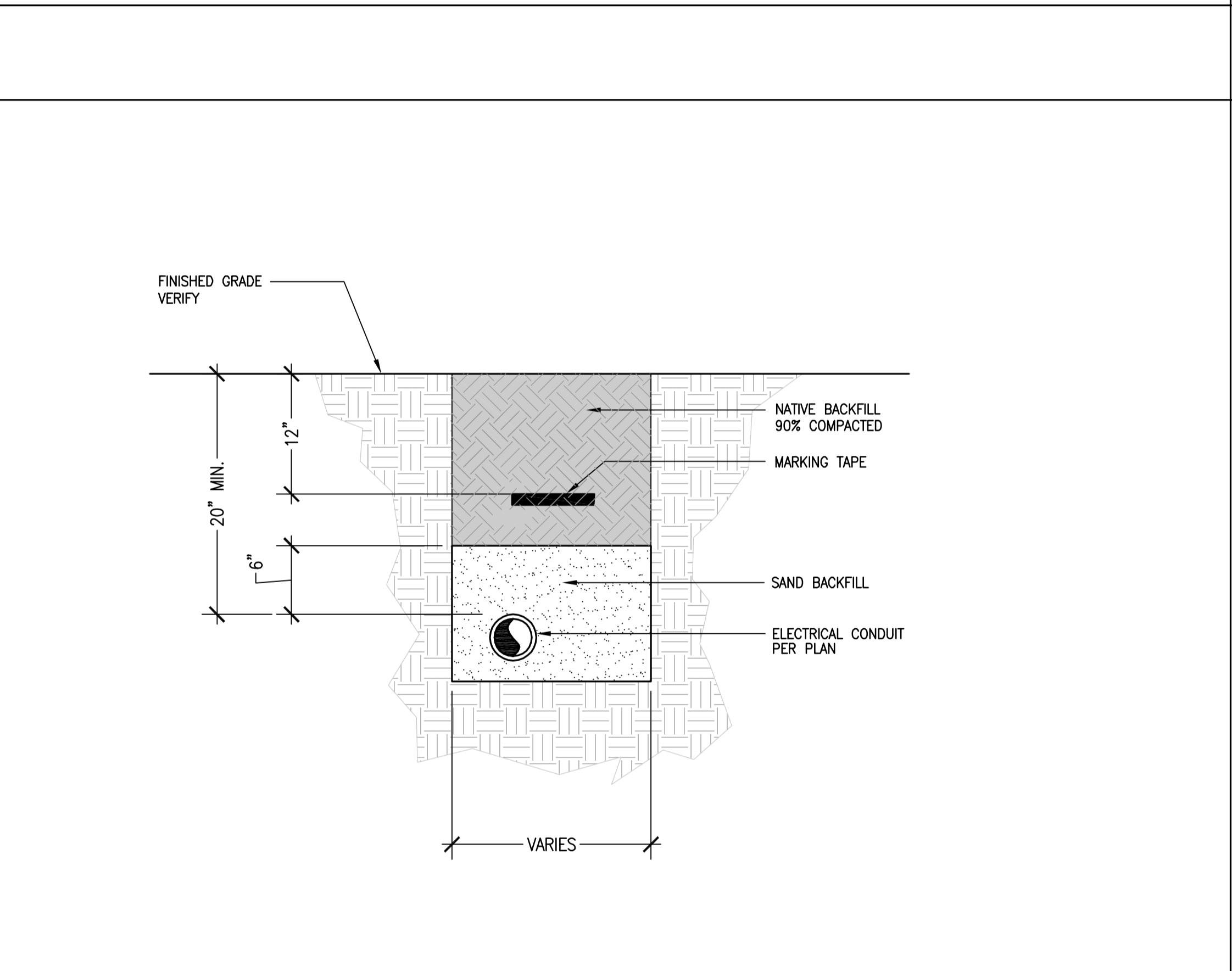
Revision	Description	Date
1	DSR SUBMITTAL	19 SEPT 2008
2	DSA FINAL	03 APRIL 2009
3	DSR CHECK COMMENTS-REV 18	18 OCT 2008
4	DRAWINGS OF RECORD	18 OCT 2008
5	PHASE 1B & TEL/DATA REV	05 AUG 2010
6	PHASE 4.1	05 AUG 2010
7	FINE ARTS COURTYARD	04 NOV 2011
8	DRAWING OF RECORD	

Job No.	300085
Date	09 APRIL 2009
Drawn by	REI/CAD TEAM
Checked by	THS/RW
Scale	AS SHOWN

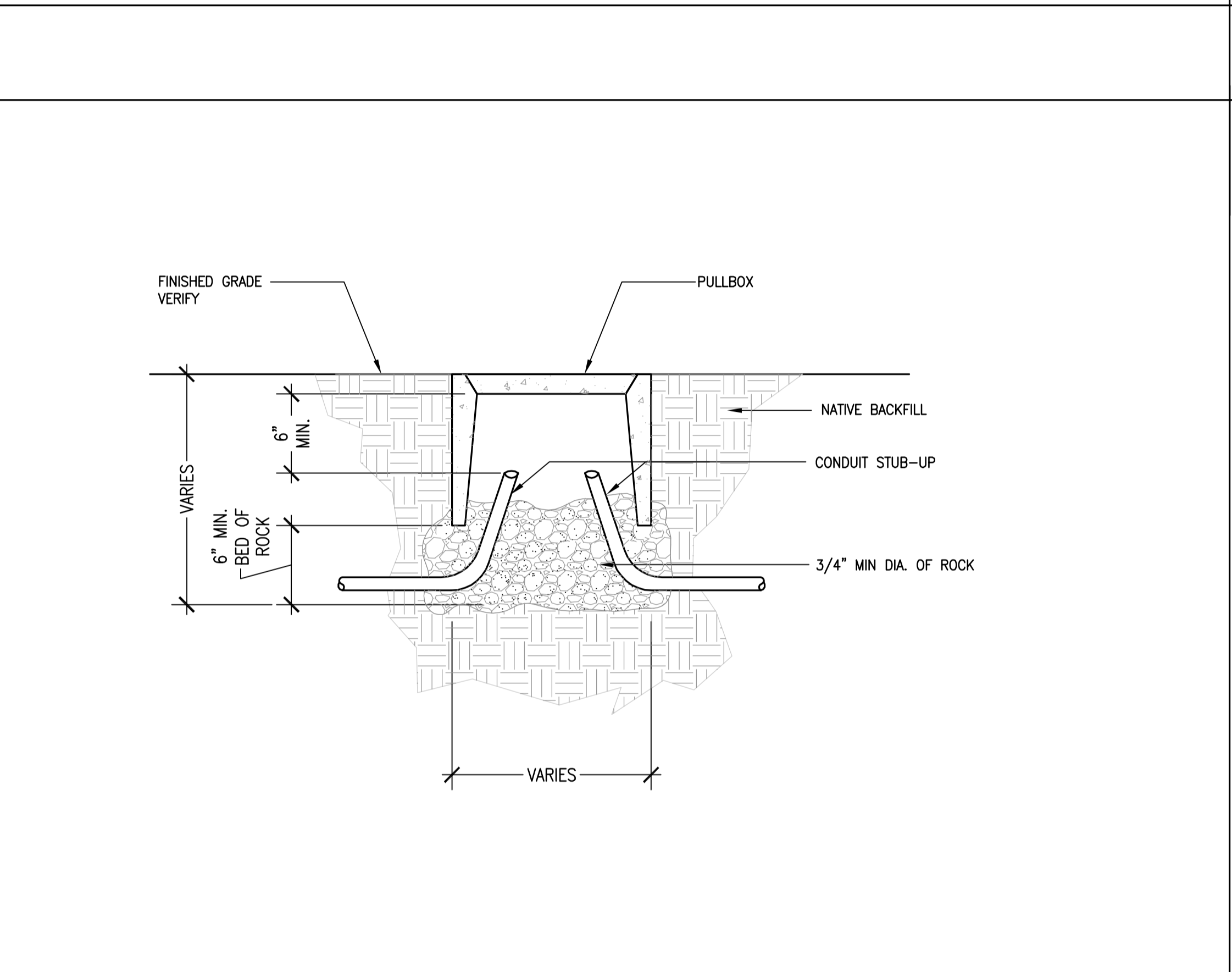
Electrical
 Details
E0.05



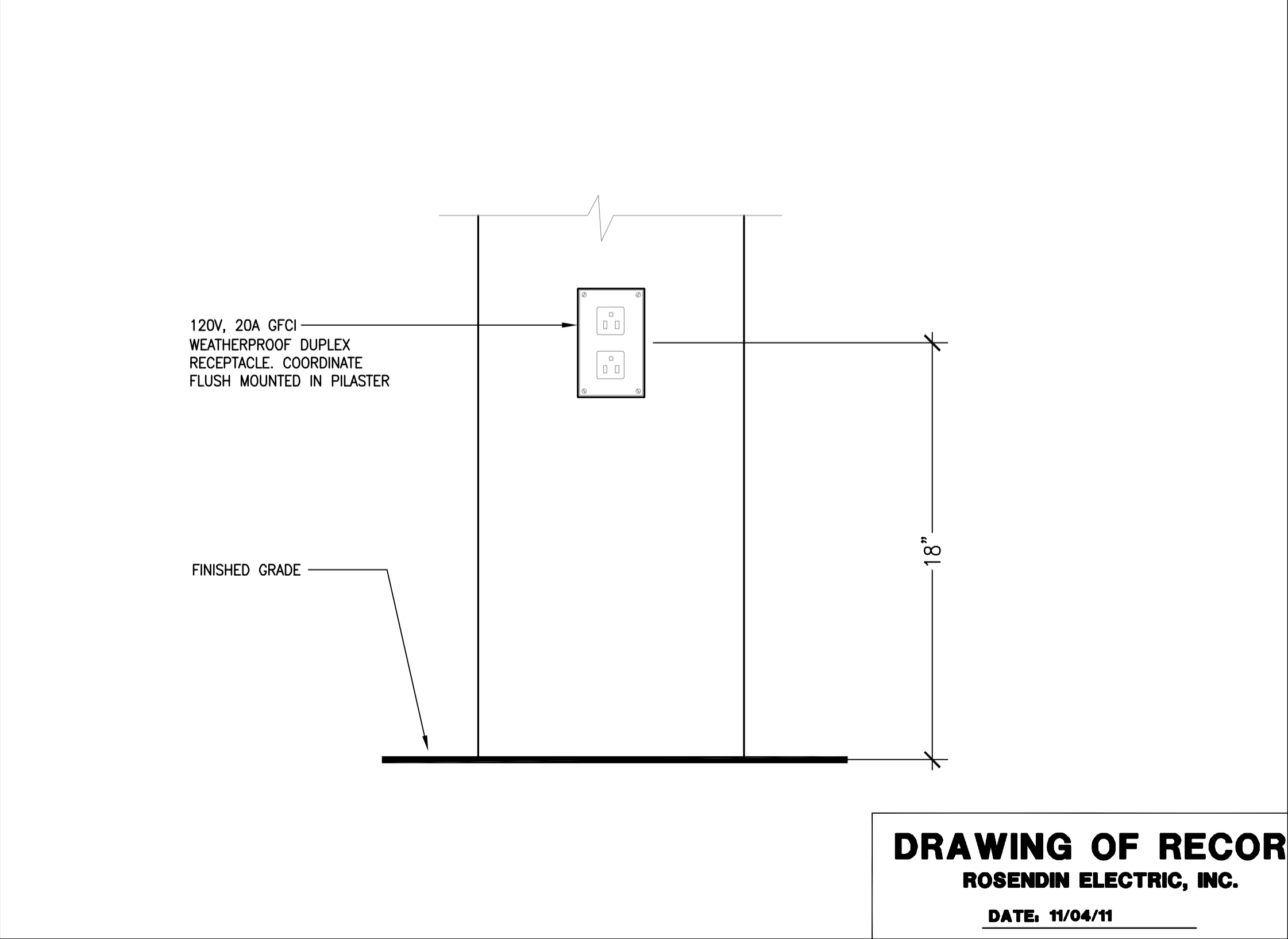
4 TRENCH AT ROADWAY/PARKING LOT
 NO SCALE



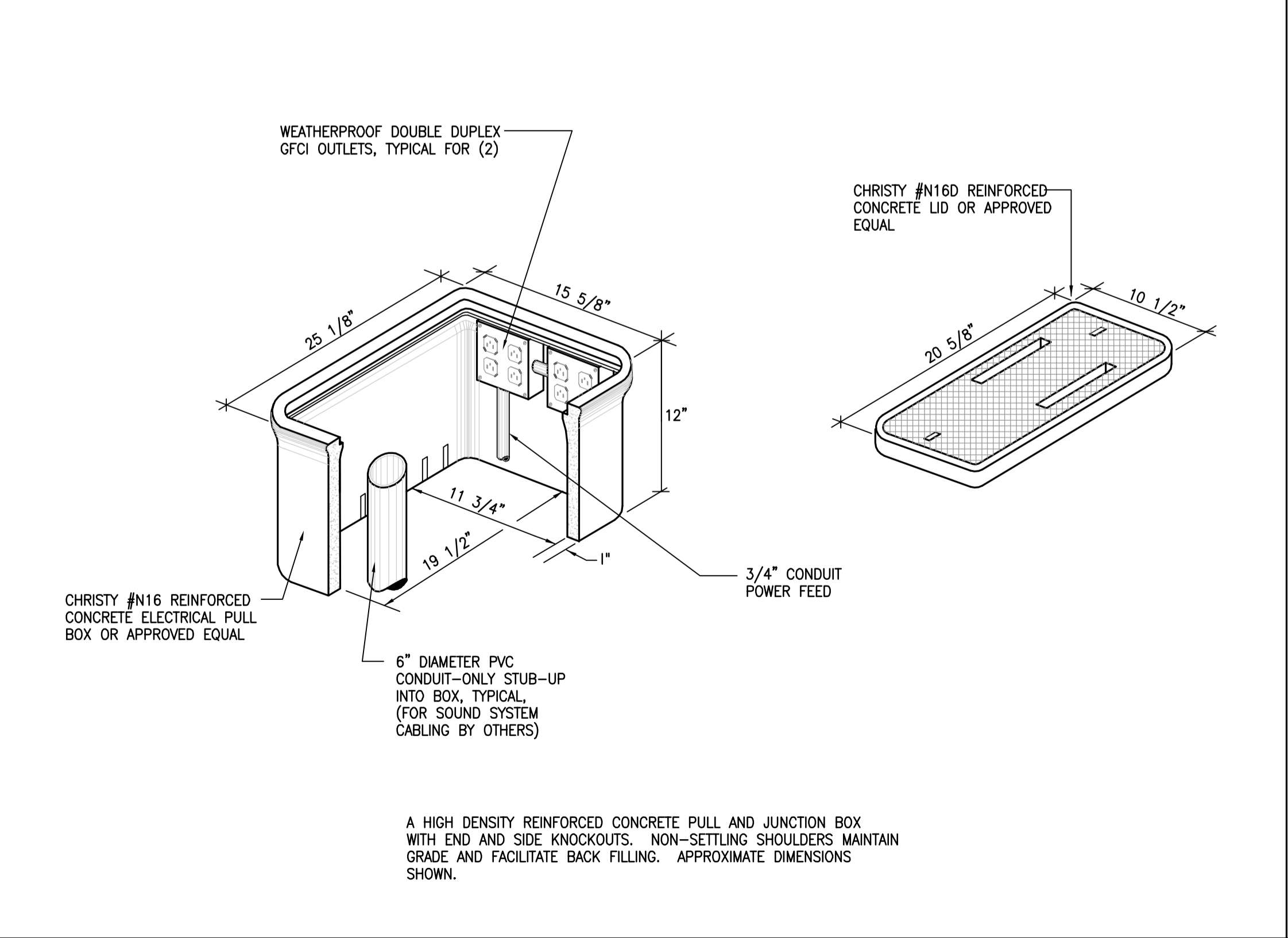
5 TRENCH AT NON-VEHICULAR TRAFFIC AREAS
 NO SCALE



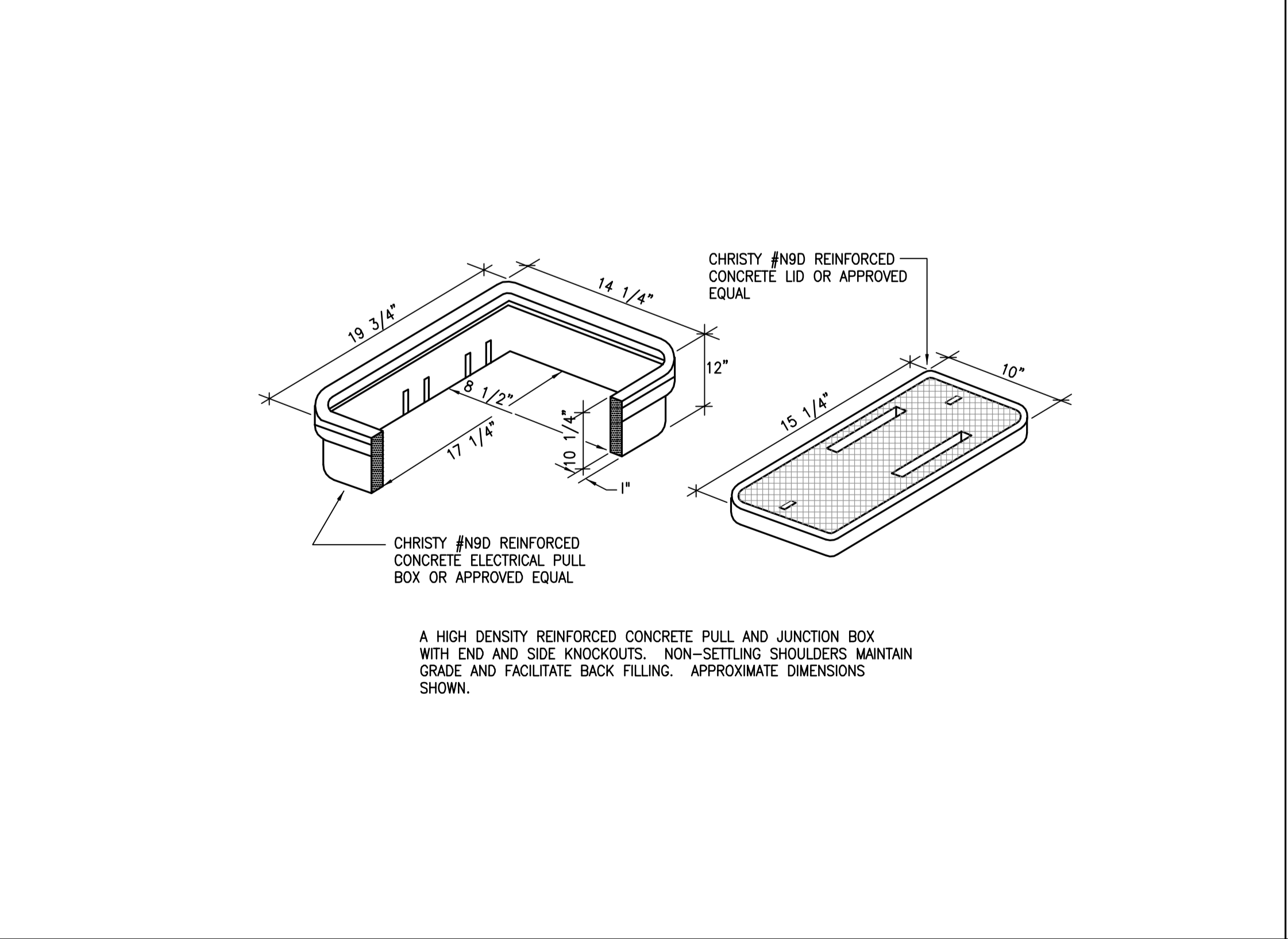
6 PULLBOX - CONDUIT TERMINATION
 NO SCALE



3 OUTDOOR OUTLET @ POOL
 NO SCALE



2 N16 ELECTRICAL BOX
 NO SCALE



1 N9 ELECTRICAL PULLBOX
 NO SCALE