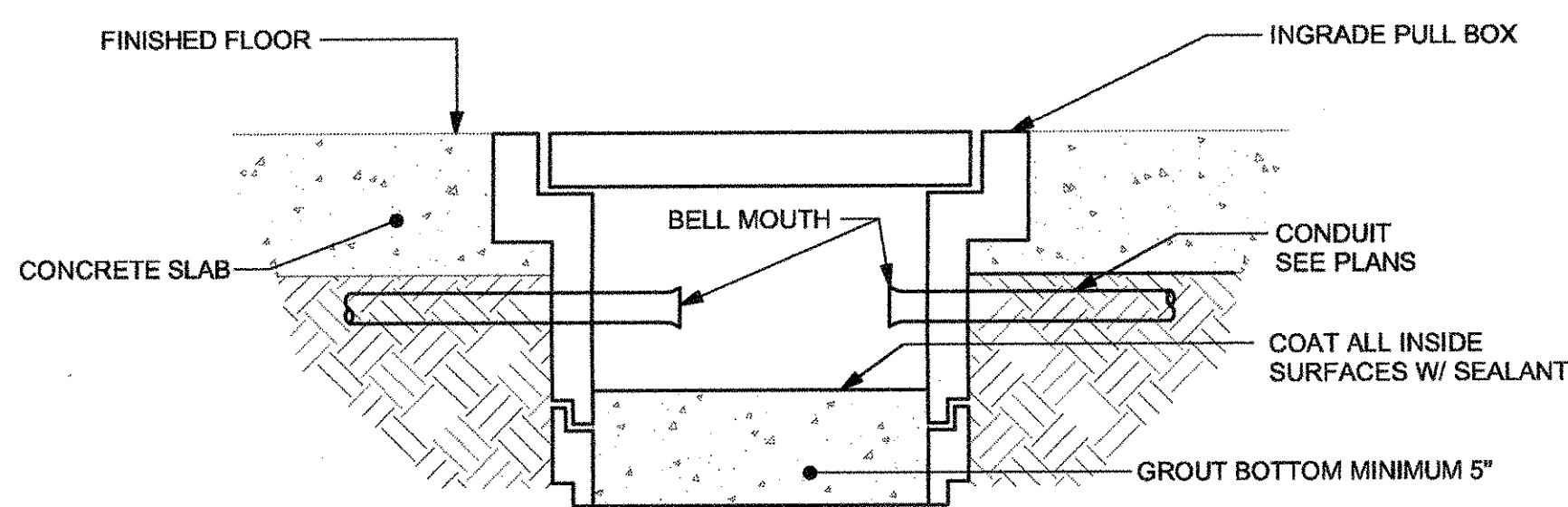
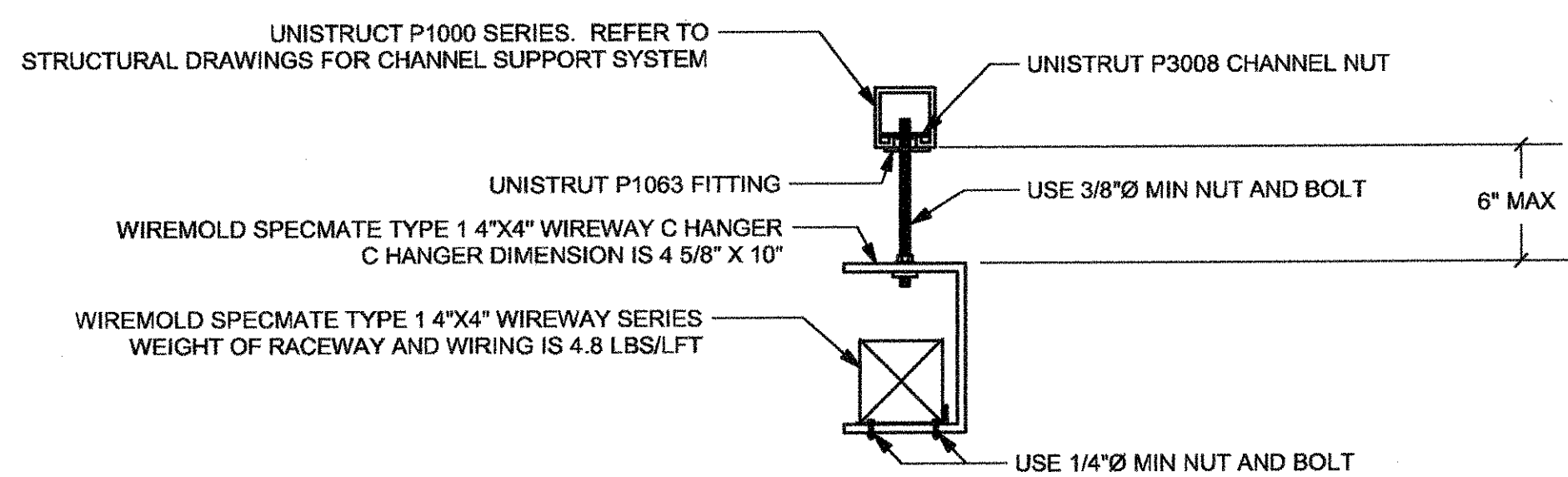


- DETAIL NOTES**
- HIGH DENSITY REINFORCED CONCRETE PULL AND JUNCTION BOX WITH END AND SIDE KNOCKOUTS. NON-SETTLING SHOULDERS MAINTAIN GRADE AND FACILITATE BACK FILLING. SIZE PULL BOX PER CODE.
  - PROVIDE MINIMUM OF 6" CRUSHED ROCK BEDDING AT BOTTOM OF BOX FOR DRAINAGE.
  - CHRISTY TYPE "N" SERIES PULL BOX WITH "N" SERIES LID UN OR EQUAL.

**7 INGRADE PULL BOX**  
NOT TO SCALE

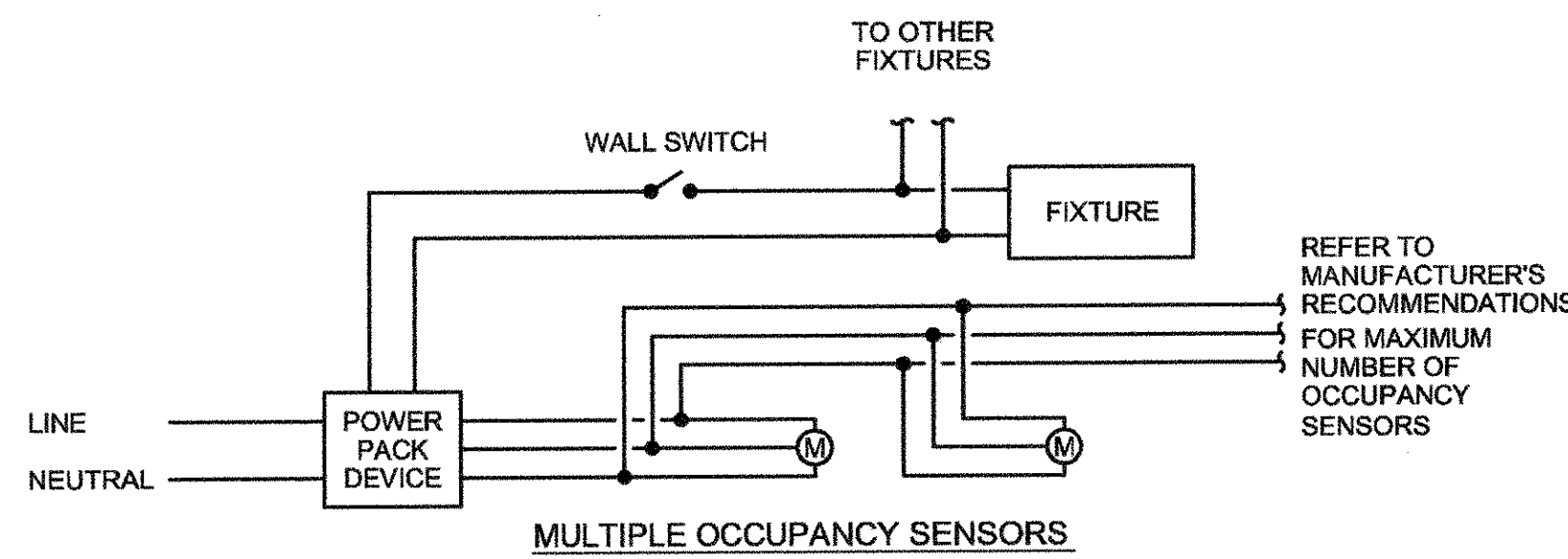
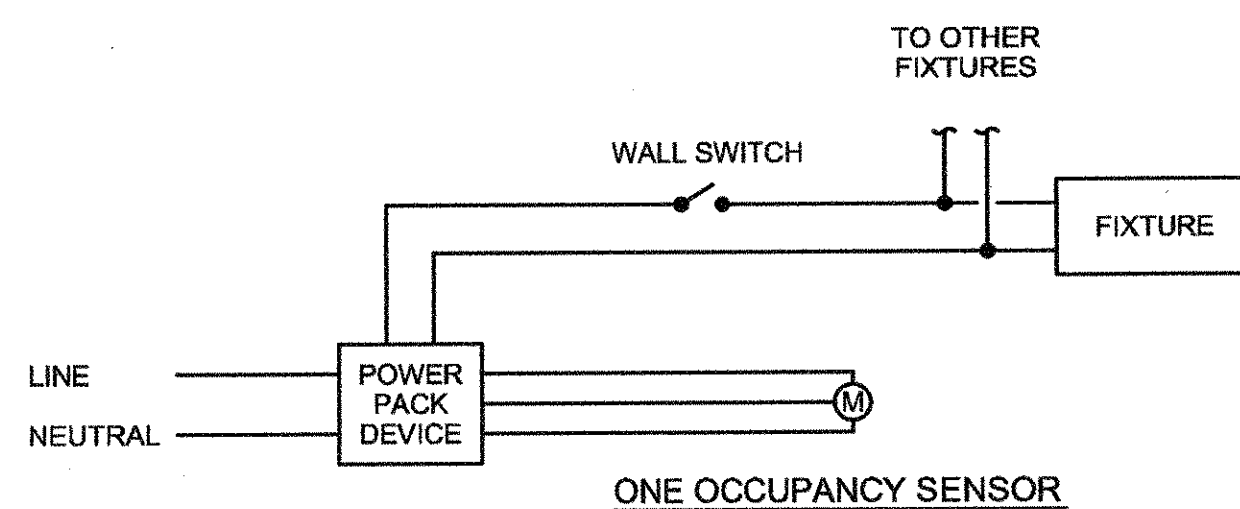


**8 INGRADE PULL BOX CONDUIT TERMINATION**  
NOT TO SCALE

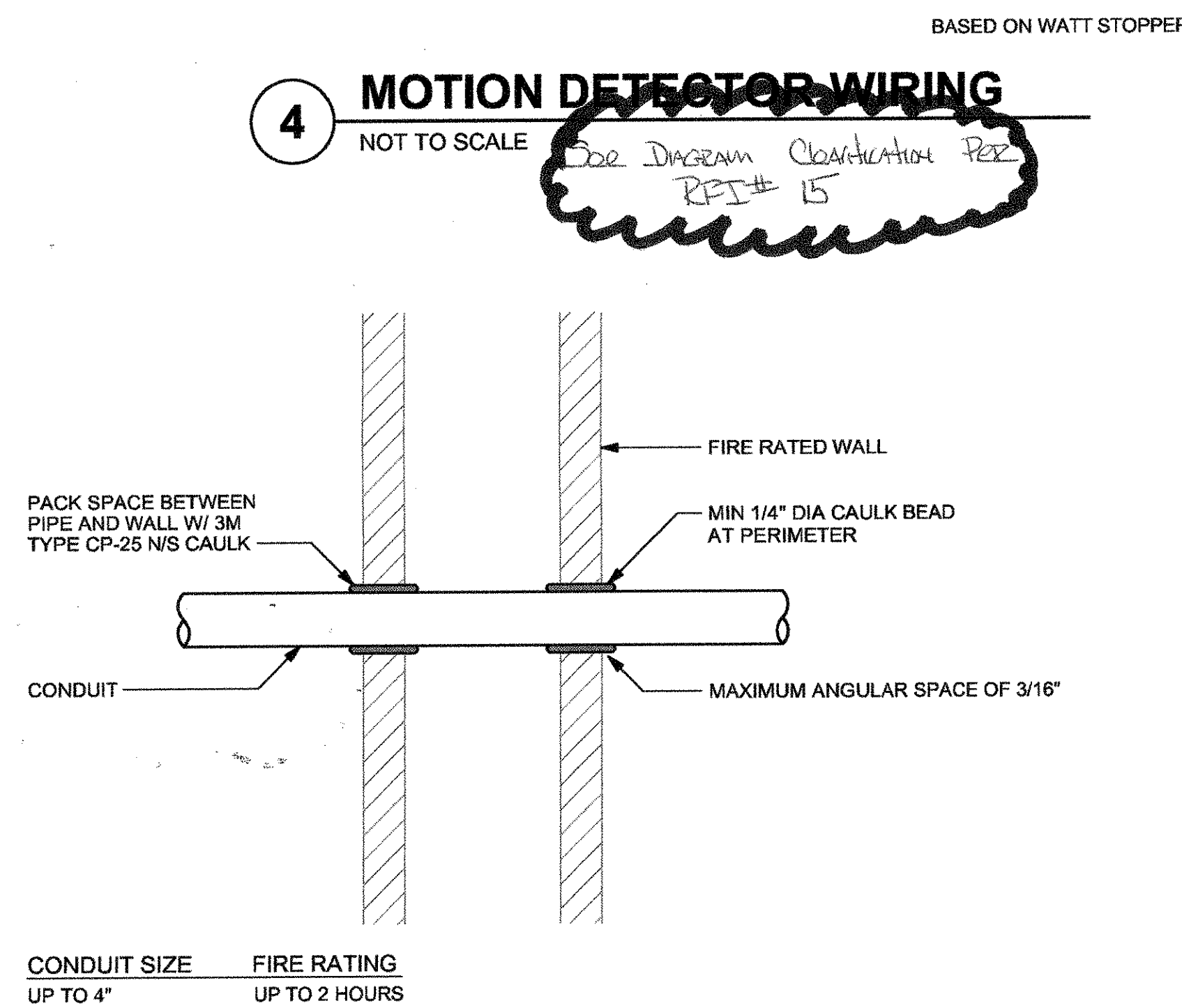


- DETAIL NOTES**
- MOUNT HANGER FOR WIREWAY SUPPORT AT TWO POINTS OF EACH 10' SECTION. MOUNT AT 8" FROM EACH SECTION ENDS OF WIREWAY.

**9 WIREWAY MOUNTING TO CHANNEL CEILING GRID**  
NOT TO SCALE

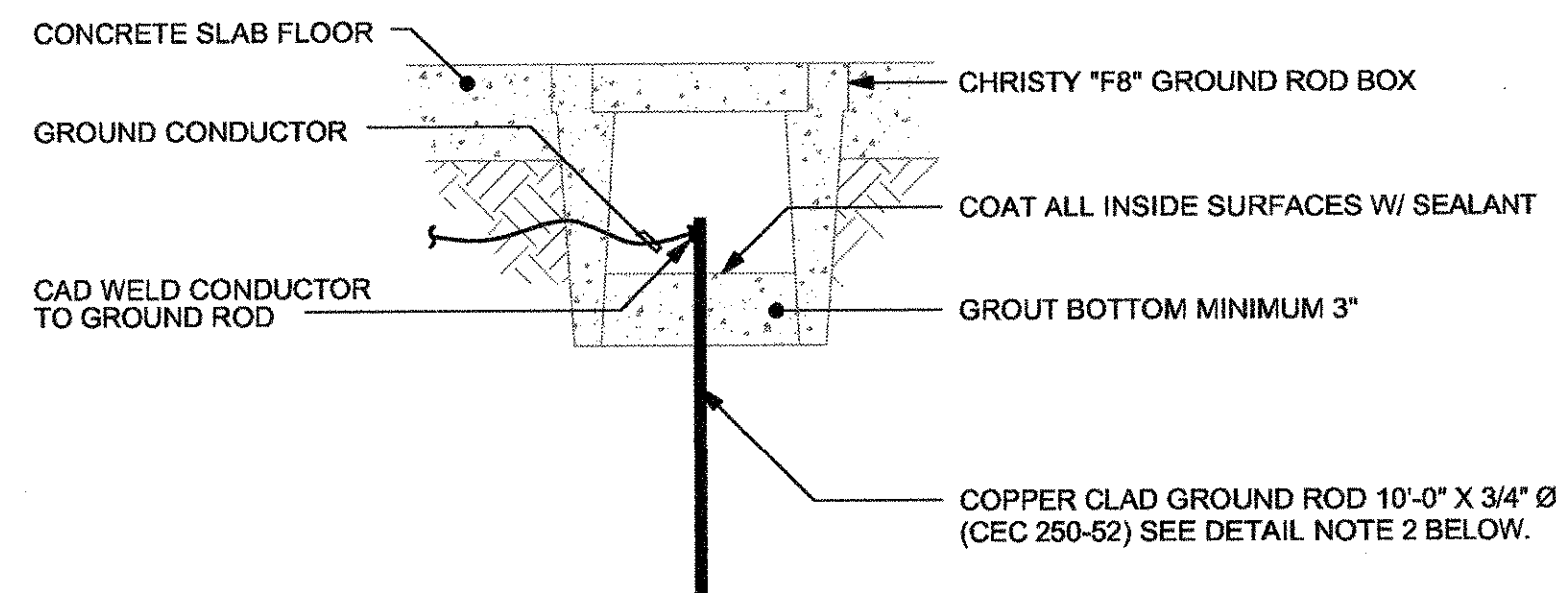


**4 MOTION DETECTOR WIRING**  
NOT TO SCALE



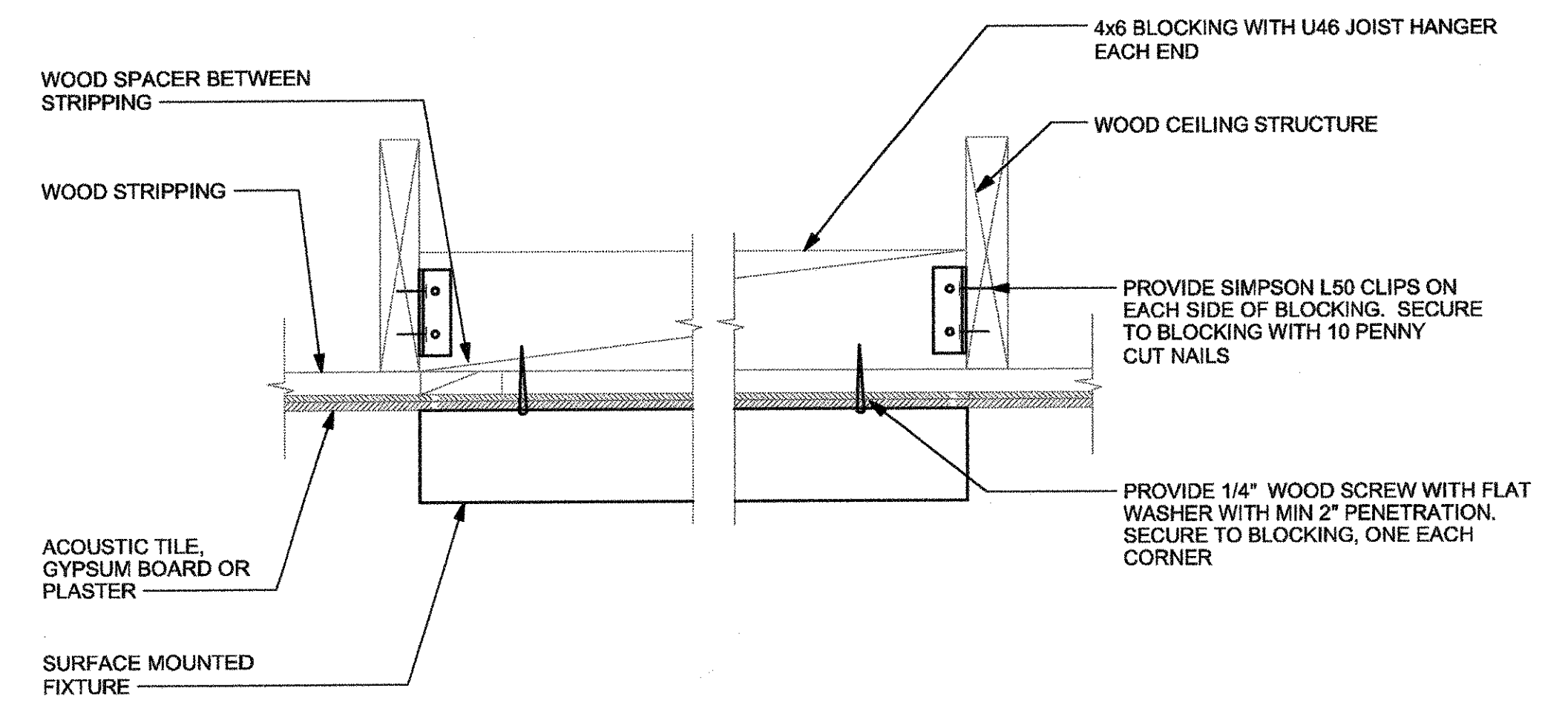
- DETAIL NOTES**
- SIMILAR TO U.L. FIRE RESISTANCE DIRECTORY SYSTEM W-L-1001.

**5 CONDUIT THROUGH INTERIOR FIRE WALL**  
NOT TO SCALE

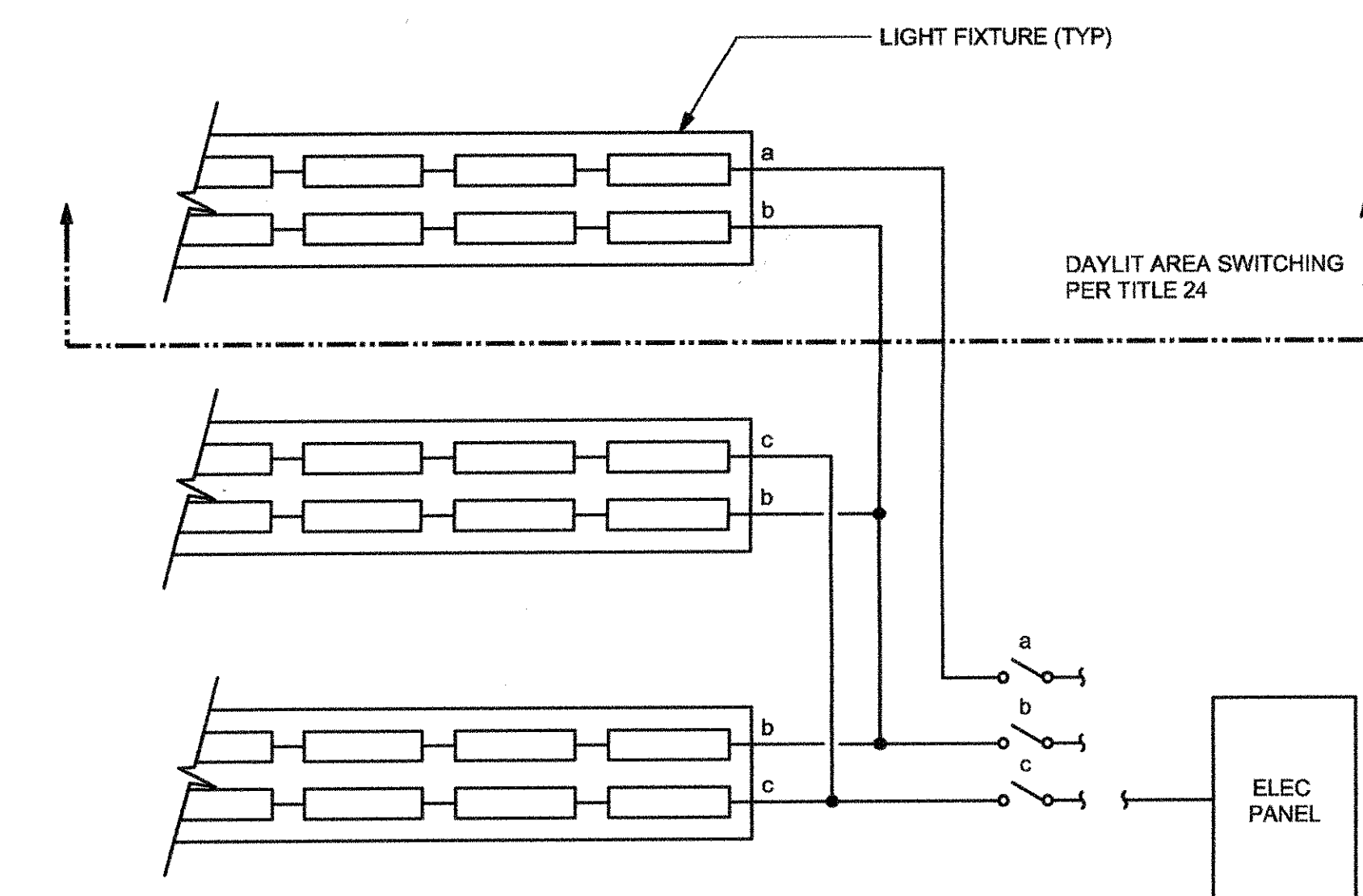


- DETAIL NOTES**
- SIZE OF CONDUCTORS SHALL COMPLY WITH CEC TABLE 250-122.
  - CHECK RESISTANCE TO GROUND, IF RESISTANCE EXCEEDS 25 OHMS, INSTALL ADDITIONAL GROUND RODS AS REQUIRED. (CEC 250-56)
  - GROUNDING TEST MUST BE BY INDEPENDENT LICENSED ELECTRICAL CONTRACTOR OR TESTING LABORATORY. PROJECT CONTRACTOR IS NOT ELIGIBLE TO RUN TEST.

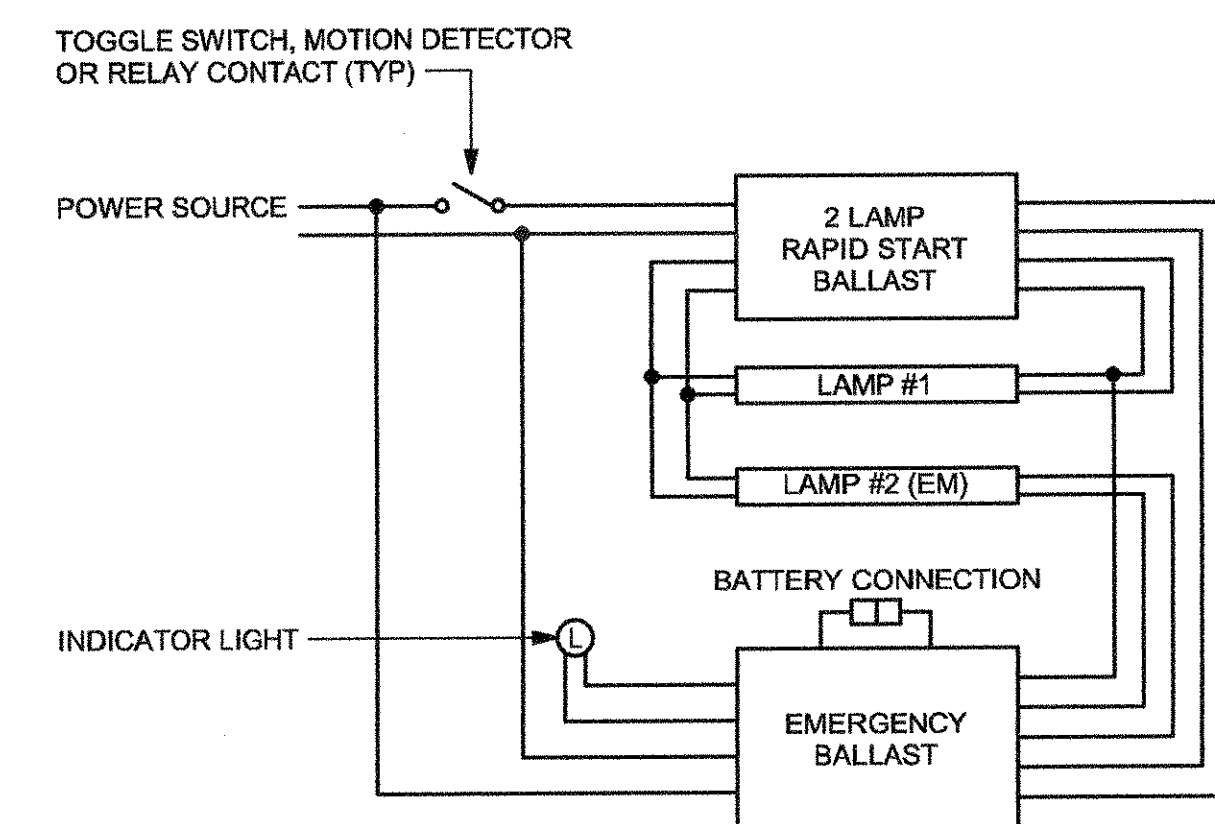
**6 GROUND ROD**  
NOT TO SCALE



**1 SURFACE FIXTURE MOUNTING**  
NOT TO SCALE



**2 TYPICAL LIGHTING CONTROLS**  
NOT TO SCALE



- DETAIL NOTES**
- THE INVERTER BALLAST AND AC BALLAST MUST BE FED FROM THE SAME BRANCH CIRCUIT IN ALL CASES, INVERTER BALLAST SHALL BE FED FROM AN UNSWITCHED SOURCE, BASED ON BODINE.

**3 TYPICAL SWITCHED TWO LAMP EMERGENCY WIRING**  
NOT TO SCALE

**Sugimura & Associates Architects**  
Architecture • Interiors  
Planning • Landscape Architecture  
2155 South Bascom Ave. Suite 200  
Campbell, CA 95008  
408-879-0600 Fx 408-377-6066  
COPYRIGHT © 2001 Sugimura & Associates/Architects

**IPCA**  
INTEGRATED DESIGN ASSOCIATES  
CONSULTING ELECTRICAL ENGINEERS  
3145 LA OCA BOULEVARD, SUITE 110  
SAN JOSE, CALIFORNIA 95128-3887

**REGISTERED STATE ARCHITECT**  
OFFICE OF REGULATION SERVICES  
APP. NO. \_\_\_\_\_  
AC. DATE \_\_\_\_\_  
FILE NO. \_\_\_\_\_  
Professional Seal  
315 Clay St., Suite 1001  
Oakland, CA 94612

**REGISTERED PROFESSIONAL ENGINEER**  
ELECTRICAL  
STATE OF CALIFORNIA  
E 16029  
EXP. 12-31-05

**DETAILS**  
SKYLINE COLLEGE SWING SPACE  
PERMIT PACKAGE #3  
SKYLINE COLLEGE  
3300 COLLEGE DRIVE  
SAN BRUNO, CA 94066

**REVISIONS**

NO.	ITEM	DATE
1	CONSTRUCTION ISSUE	6/10/04

**CLIENT APPROVAL:**

DRAWN BY: RCS  
CHECKED BY: SMF  
JOB NO: 2163.002 DATE: 5 FEB. 2004

**E7.0**  
OF SHEETS

DSA SUBMITTAL - 02.13.04

FILE LOCATION: P:\2163.002\Permit Pkg 3\CAD\Arch\SKYLINE PK#3 CONFORM SET\Elec\03054E70.dwg  
LAST SAVED ON: 9/10/04 at 4:15pm, PLOTTED ON: 9/13/04 at 2:10pm