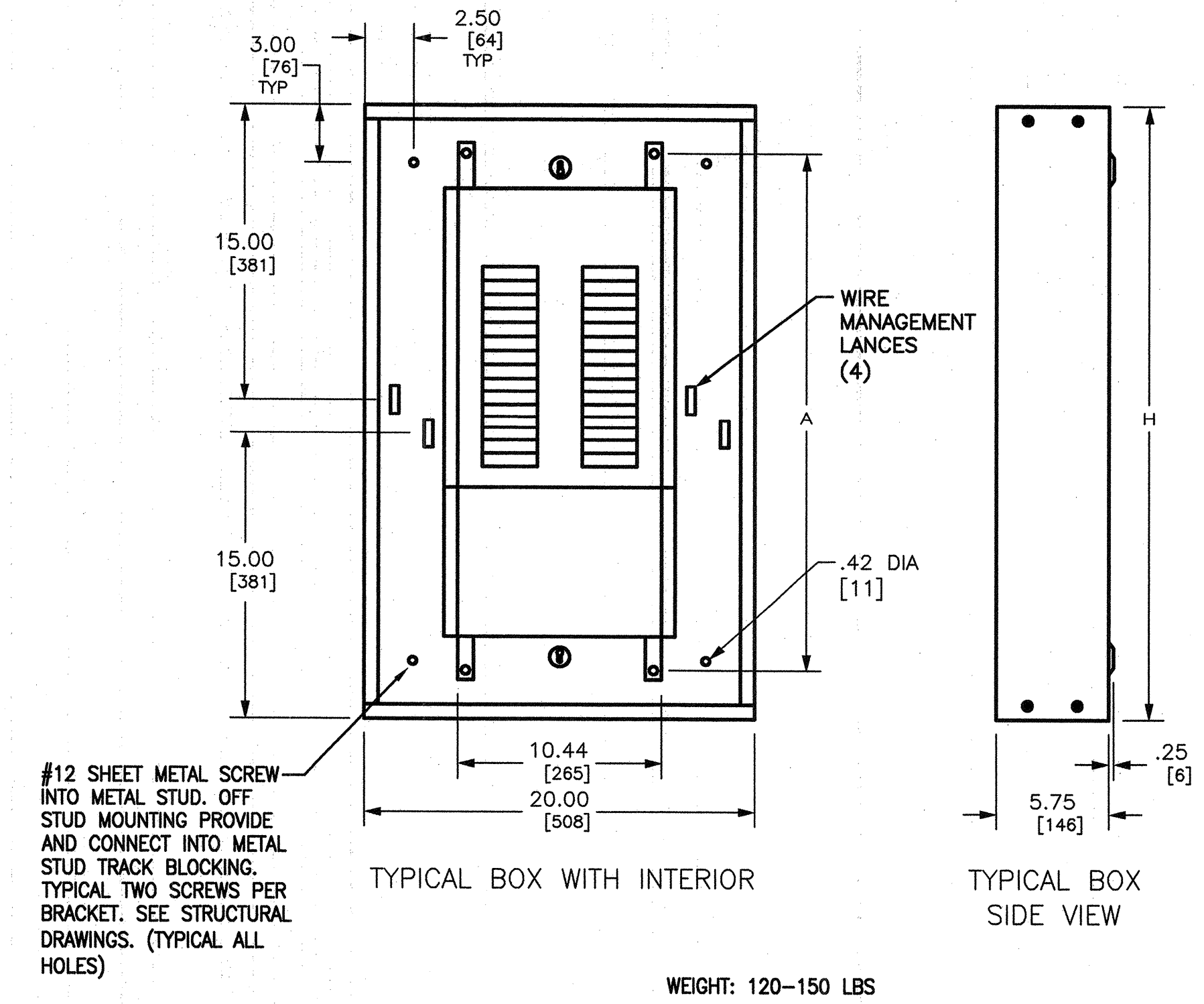


owner  
SAN MATEO COUNTY  
3401 CSM DRIVE  
SAN MATEO CA 94402

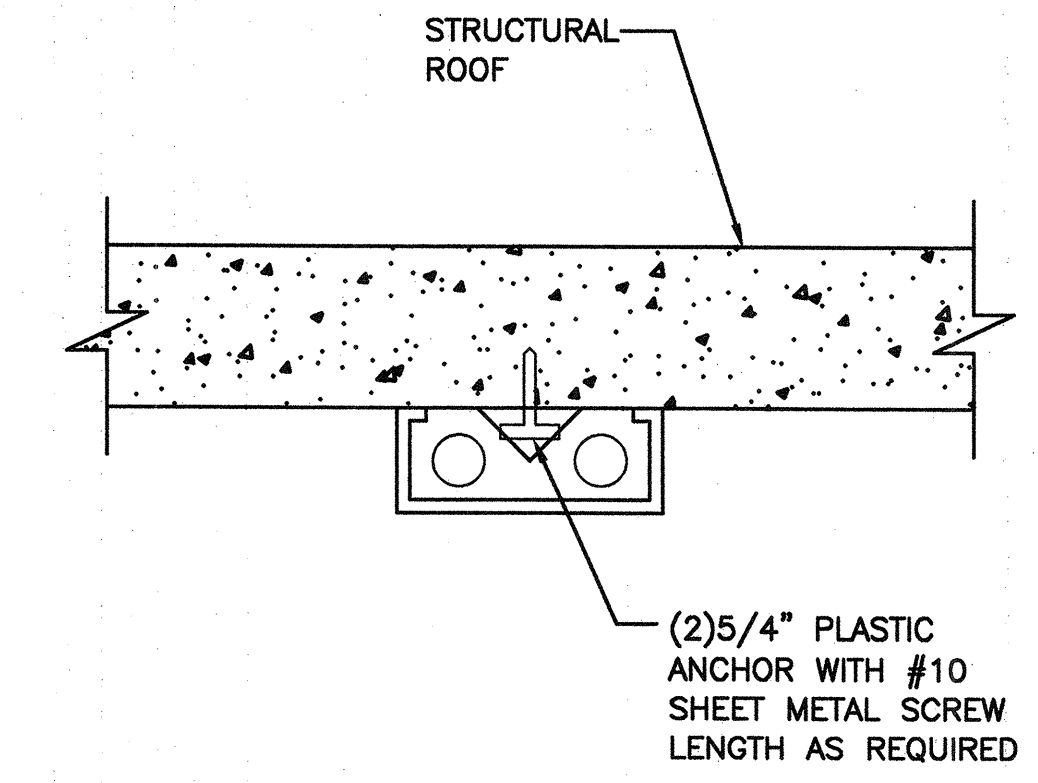
architect  
STEINBERG ARCHITECTS  
60 Pierce Avenue  
San Jose CA 95110

**ALFATECH  
CAMBRIDGE**

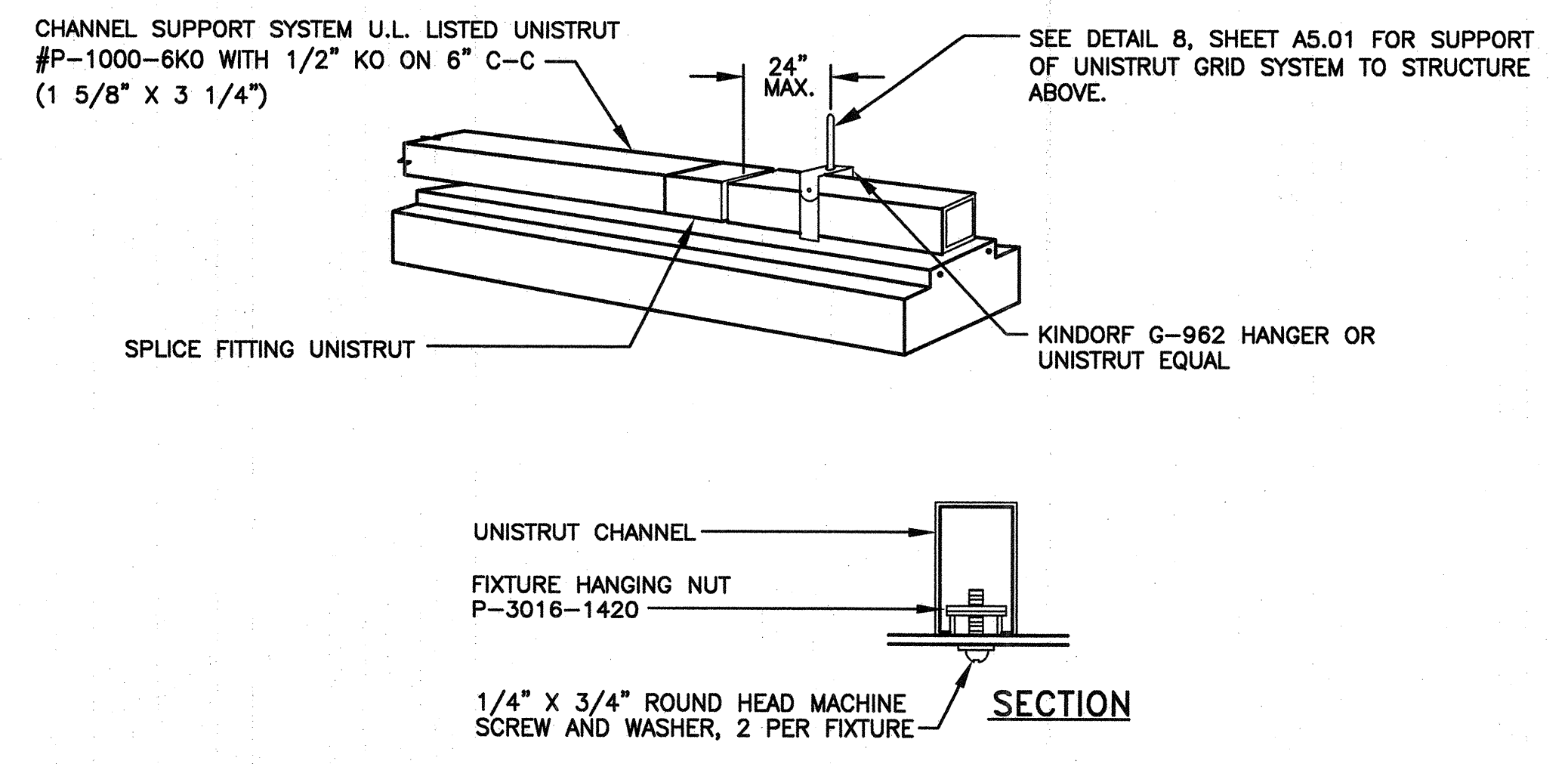
150 MONTGOMERY STREET, SUITE 715 415-404-3000  
SAN FRANCISCO, CALIFORNIA 94104 FAX: 415-798-8800  
SAN JOSE • SAN FRANCISCO • NEW YORK/NEW JERSEY  
LOS ANGELES • PALM ALTO • SINGAPORE • AUSTRALIA  
#Page: 2802



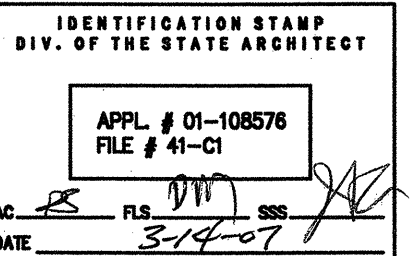
TYPICAL PANELBOARD DETAIL 1  
SCALE: NONE



SURFACE MOUNTED LIGHT FIXTURE DETAIL 2  
SCALE: NONE

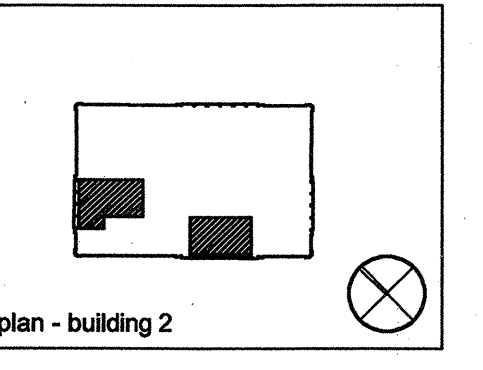


UNISTRUT MOUNTED LIGHT FIXTURE DETAIL 3  
SCALE: NONE



02.02.07 DSA SUBMITTAL  
DSA BACKCHECK

rev. date issue



STEINBERG ARCHITECTS  
project no: 06044 date: 03/15/07  
drawn by: VB checked by: DL  
scale: 1/4"=1'-0"

ELECTRICAL DETAILS

E6.01

Copyright 2003 Steinberg Architects All Rights Reserved. These Plans and/or Specifications are intended for the benefit of the client and may not be used, copied, reproduced, or otherwise disseminated without the written consent of Steinberg Architects.

03/15/07 09:32:32 By: VB Date: 03/15/07 09:32:32  
P:\Projects\06044\031507.dwg