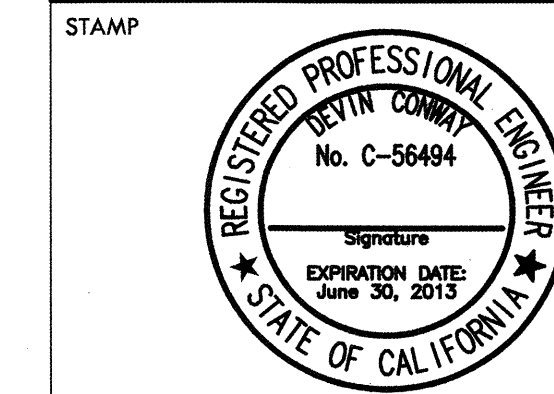


ALL IDEAS, DESIGNS, ARRANGEMENTS, AND PLANS INDICATED OR REPRESENTED BY THIS DRAWING ARE OWNED BY AND THE PROPERTY OF VERDE DESIGN, INC. AND WERE CREATED, EVOLVED, AND DEVELOPED FOR USE ON AND IN CONNECTION WITH THE SPECIFIED PROJECT. NONE OF SUCH IDEAS, DESIGNS, ARRANGEMENTS OR PLANS SHALL BE USED, REPRODUCED, OR PUBLISHED BY ANY METHOD, IN WHOLE OR IN PART, OR DISCLOSED TO ANY PERSON, FIRM, OR CORPORATION FOR ANY PURPOSE WHATSOEVER WITHOUT WRITTEN PERMISSION OF VERDE DESIGN, INC.



CONSULTANT
American Consulting Engineers, Inc.
 1990 The Alameda, Suite 200
 San Jose, CA 95128
 Tel: 408/251-2512
 Fax: 408/251-2518
 JOB #E12249.00



SHEET TITLE
ELECTRICAL DETAILS

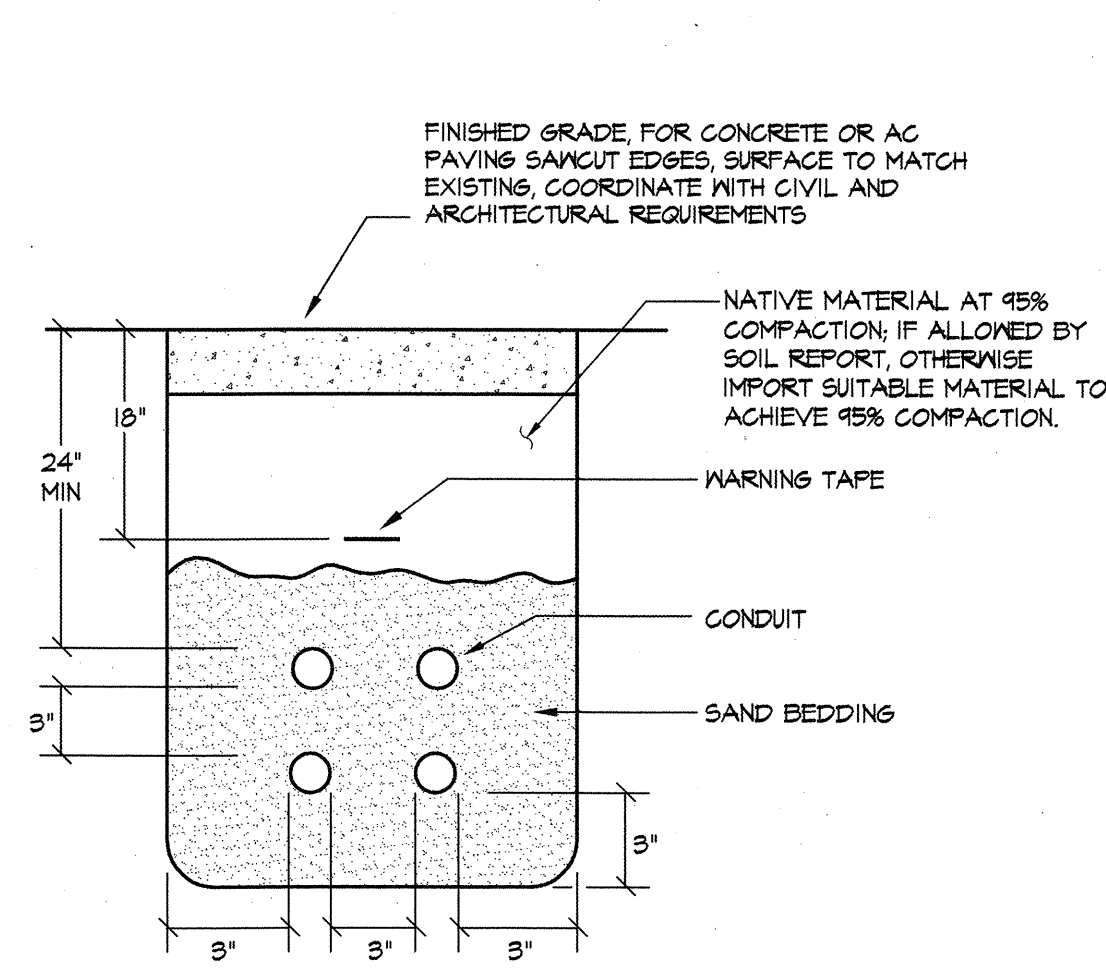
PROJECT NAME
CANADA COLLEGE TENNIS FACILITY IMPROVEMENTS

PROJECT ADDRESS
**4200 FARM HILL BLVD
 REDWOOD CITY, CA 94061**

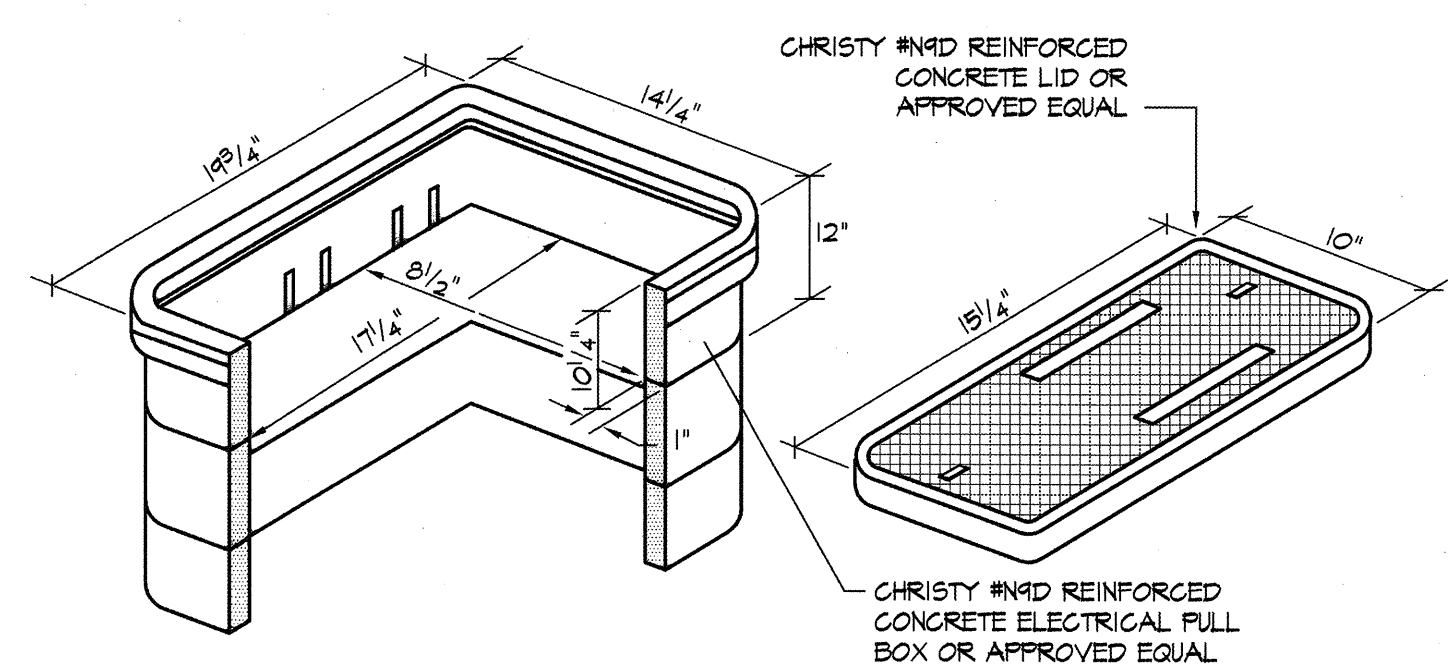
SUBMITTAL	DATE
90%	07/30/12
BID SUBMITTAL	08/21/12
ADDENDUM ONE	08/31/12
CONFORM SET	09/24/12

NO.	REVISIONS	DATE

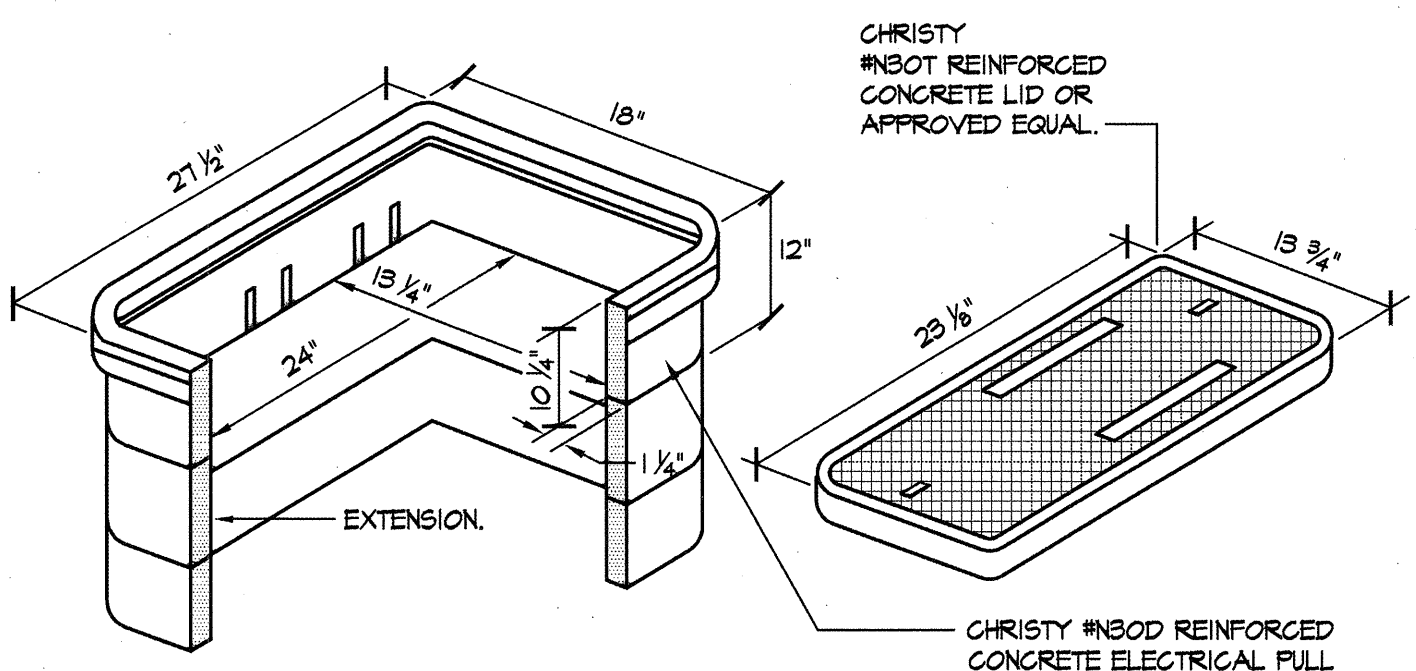
DRAWN BY MM	CHECKED BY SF
DATE ISSUED 08/21/12	SCALE AS NOTED
PROJ. NO. 1207300-1281	
SHEET NO. E4.1	
33 OF 39 SHEETS	



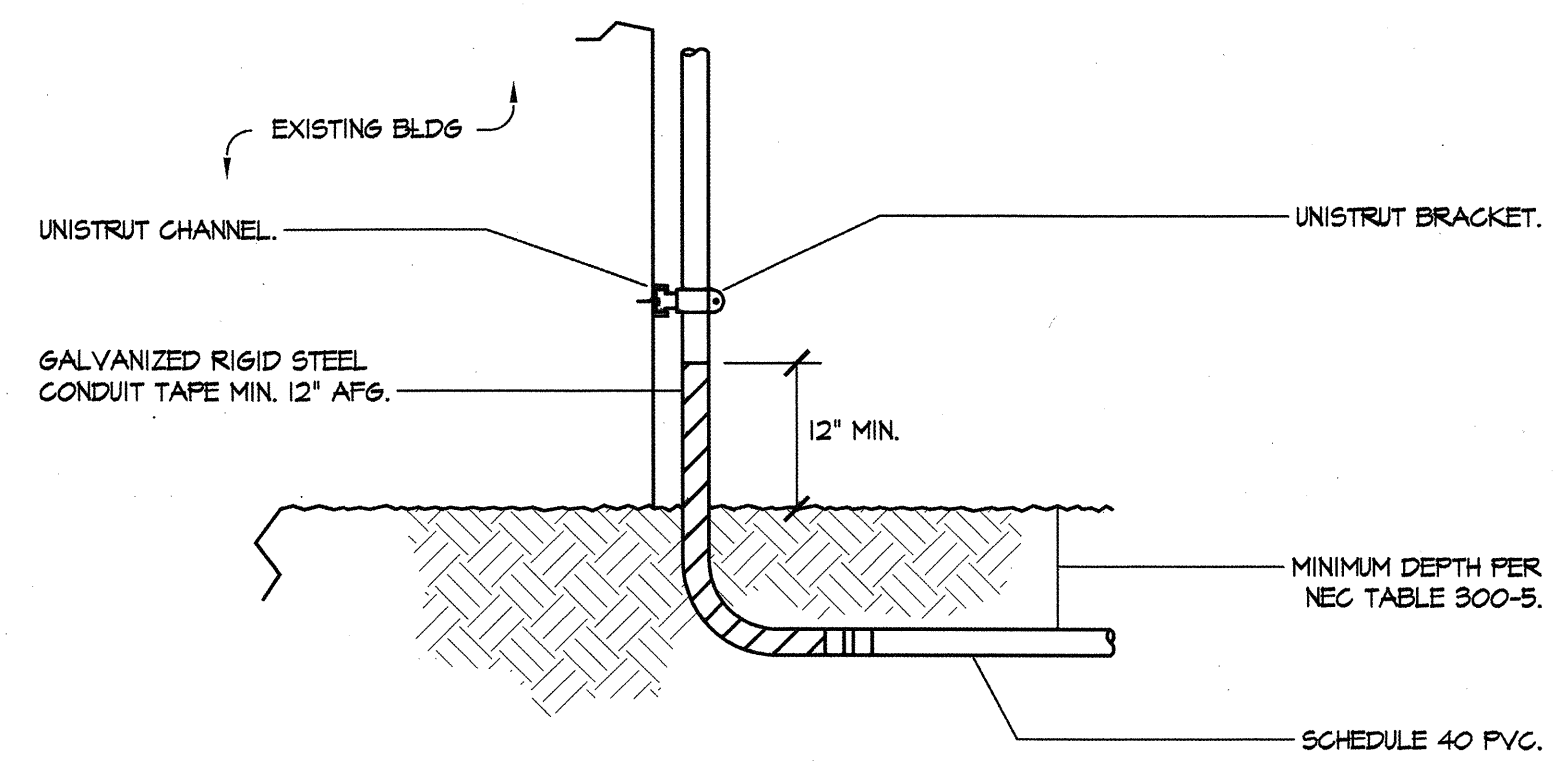
1 TYPICAL TRENCH DETAIL
 E4.1 NOT TO SCALE



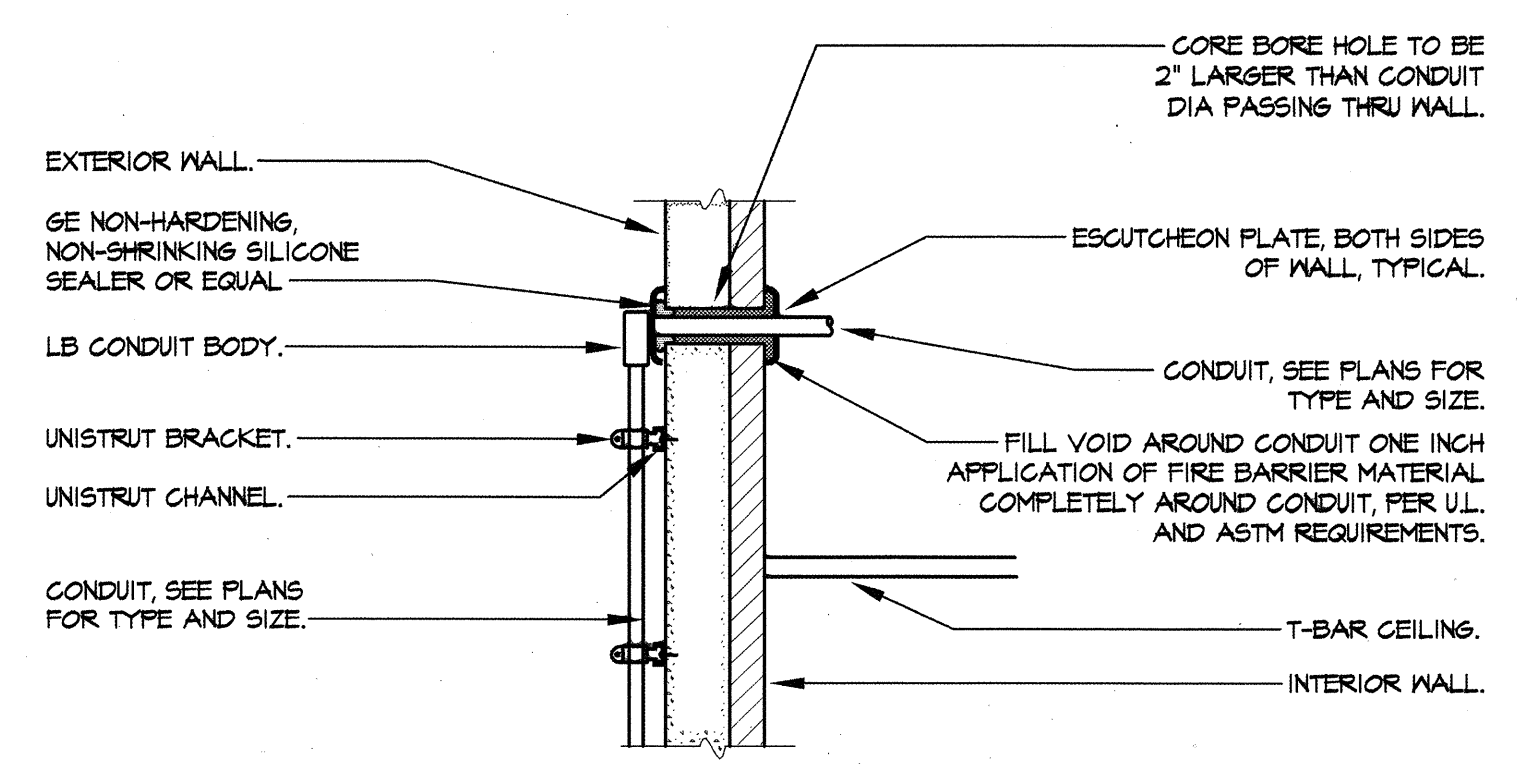
2 N9 ELECTRICAL VAULT
 E4.1 NOT TO SCALE



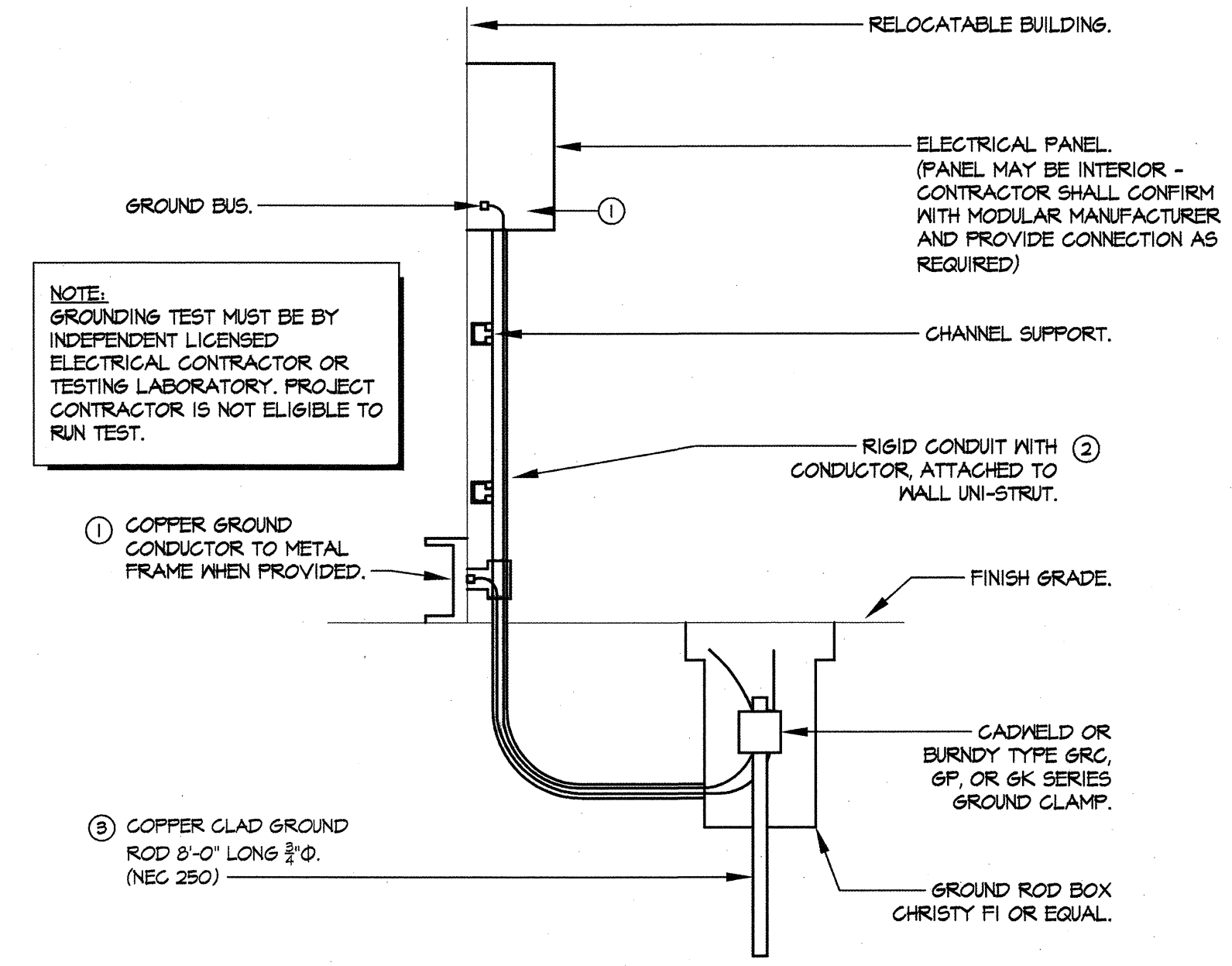
3 N30 ELECTRICAL PULLBOX
 E4.1 NOT TO SCALE



4 UNDERGROUND CONDUIT RISER DETAIL
 E4.1 NOT TO SCALE



5 CONDUIT WALL PENETRATION DETAIL
 E4.1 NOT TO SCALE



6 TYPICAL GROUND INSTALLATION
 E4.1 NOT TO SCALE