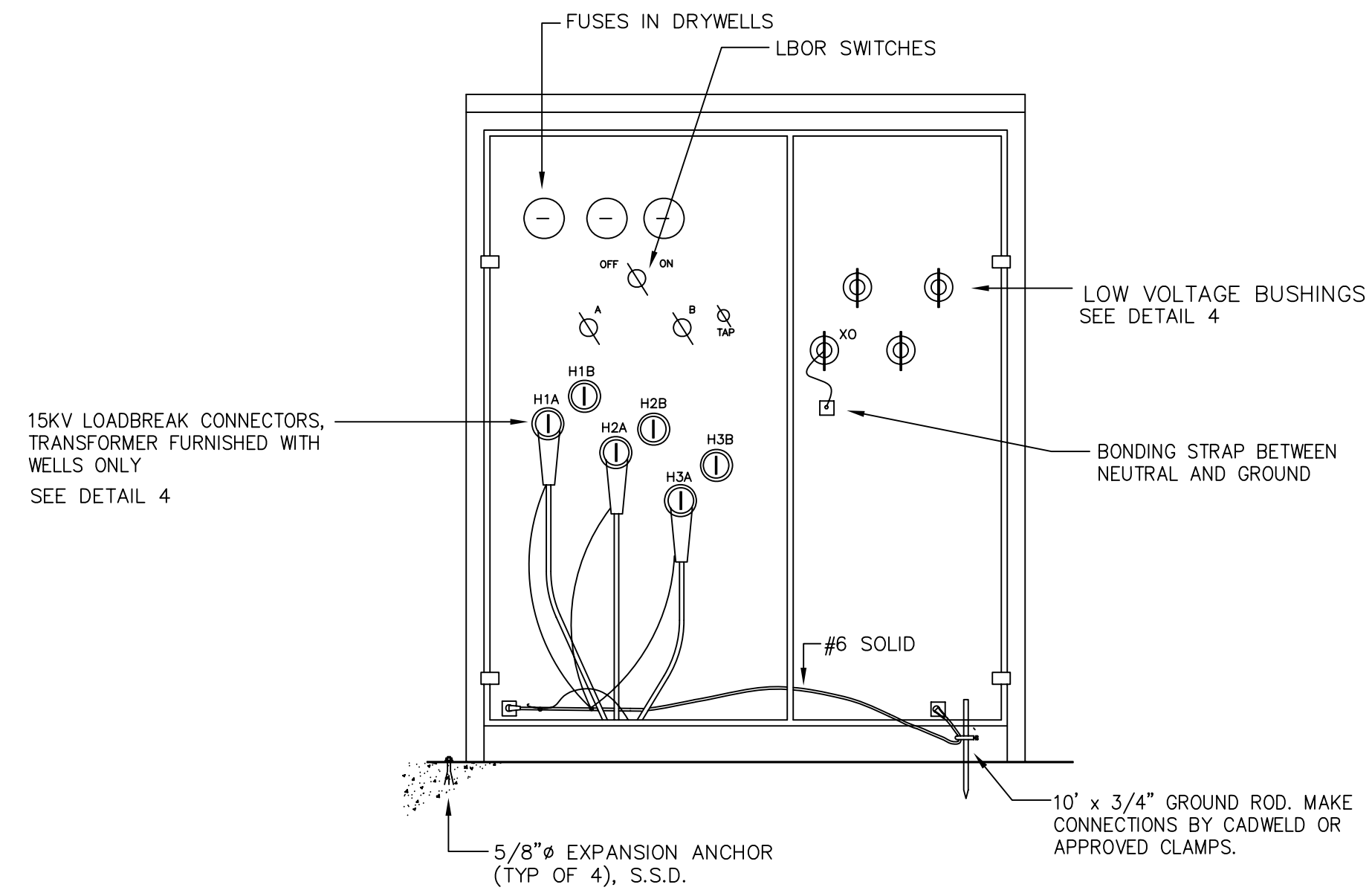
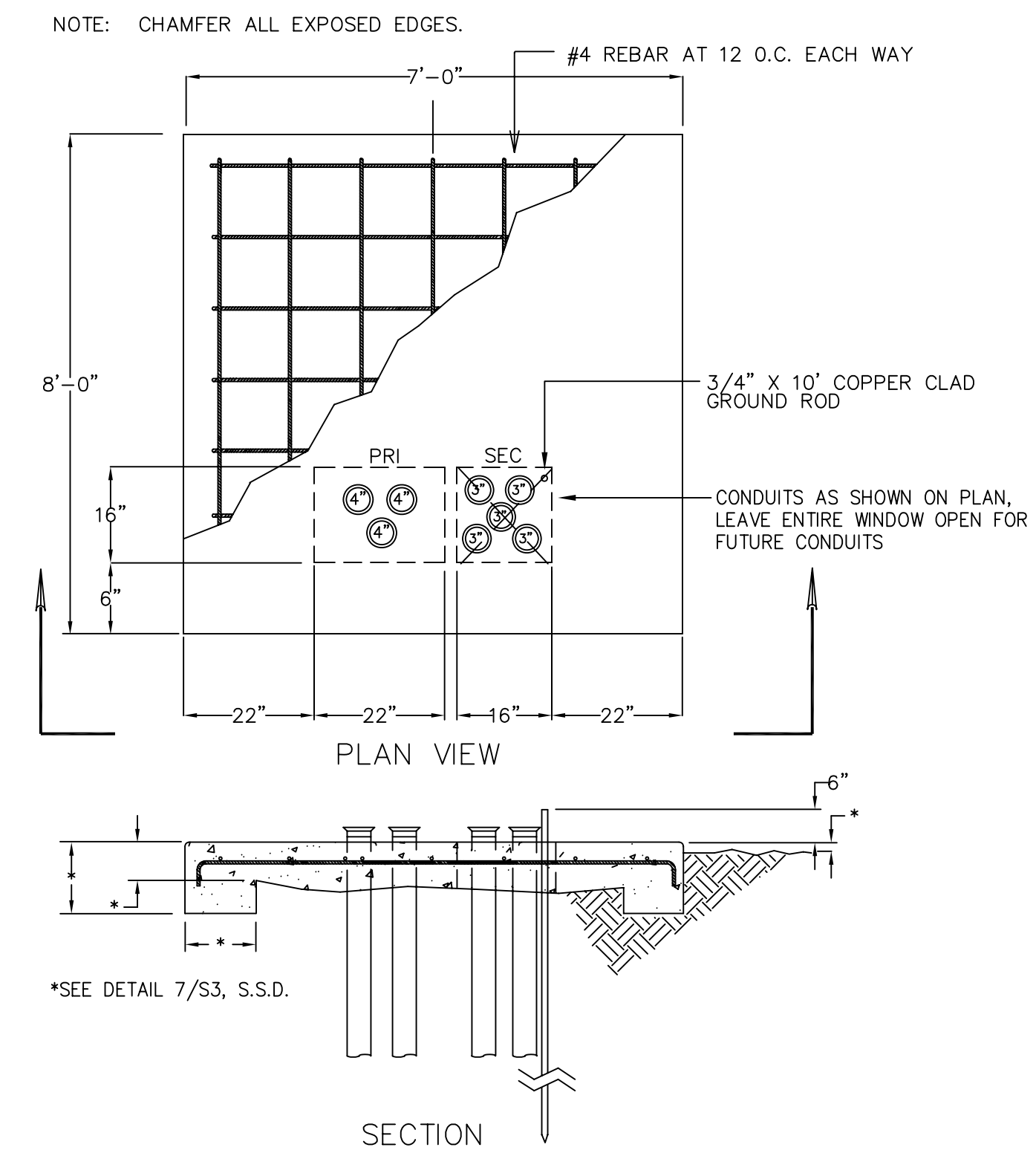


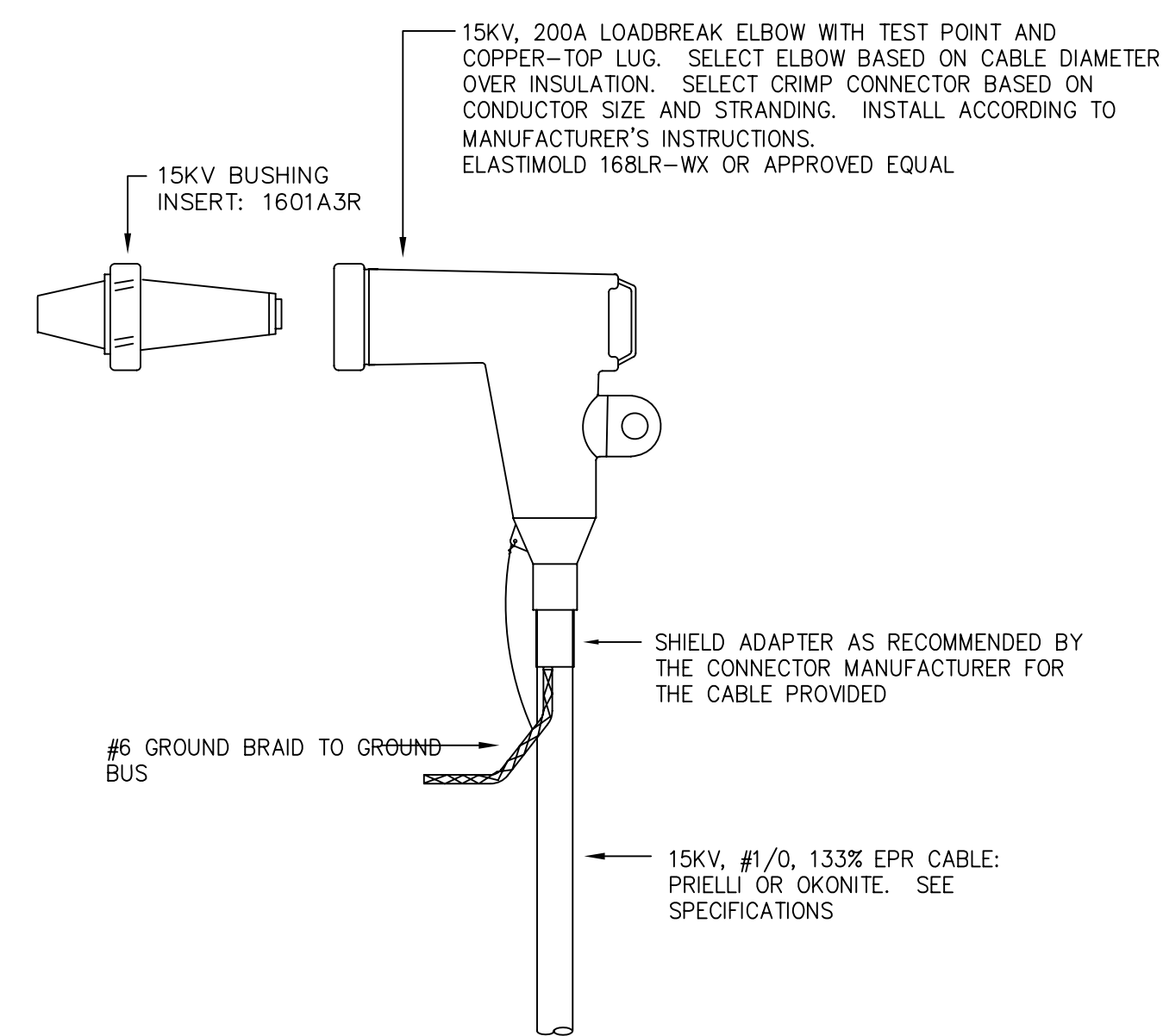
1 15KV CABLE TERMINATION
N.T.S.



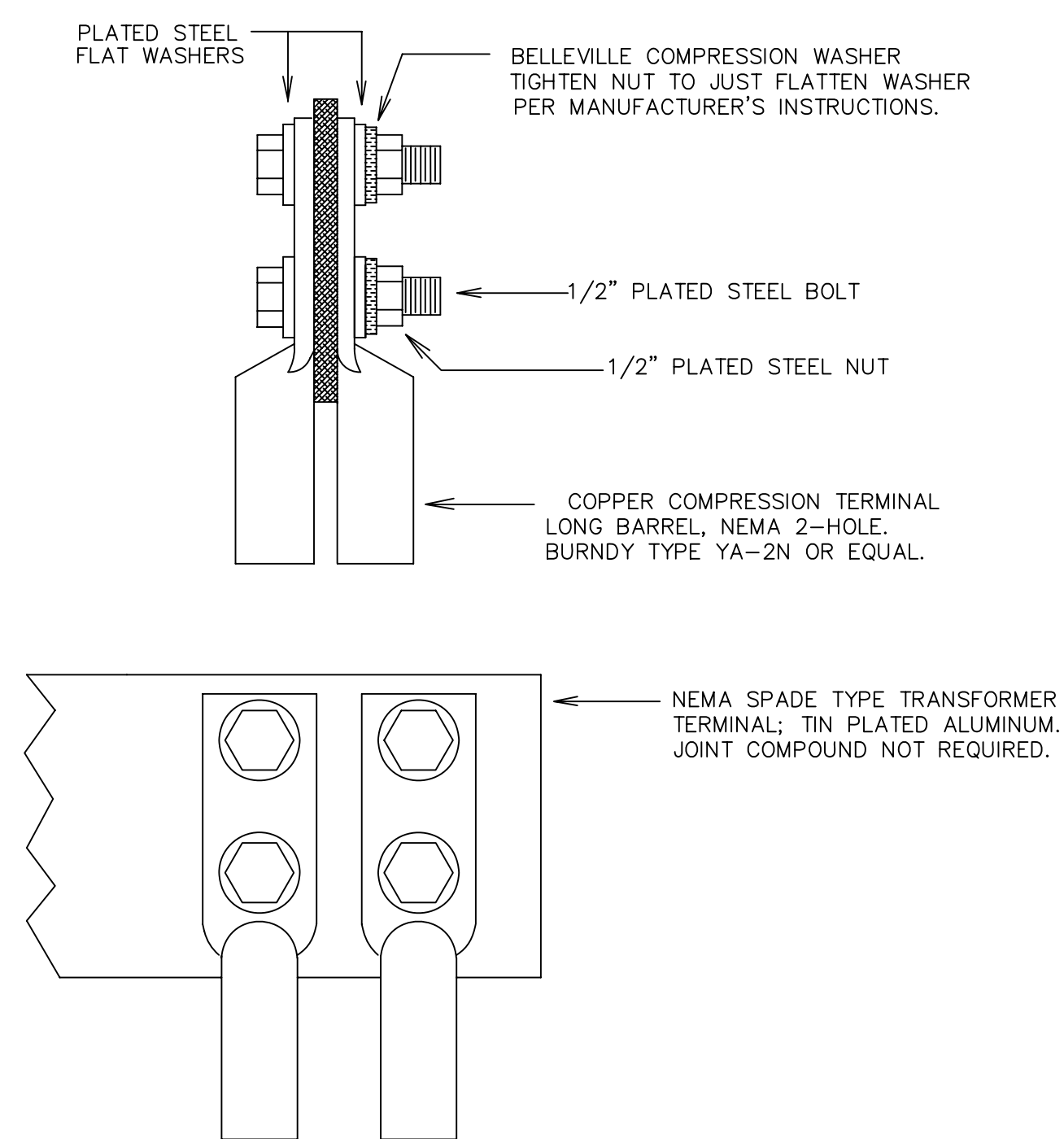
2 PADMOUNT TRANSFORMER
N.T.S.



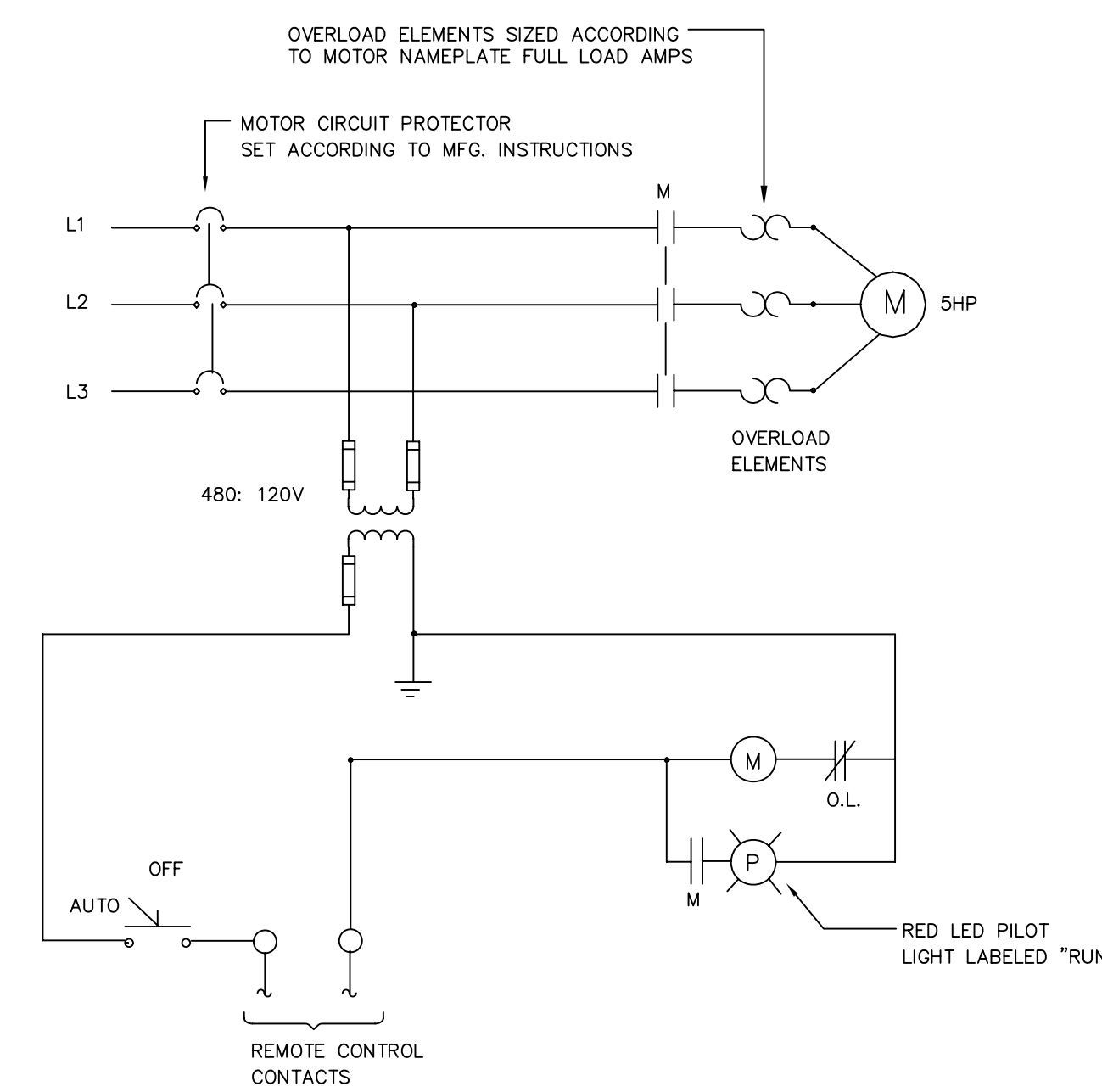
3 TRANSFORMER PAD
N.T.S.



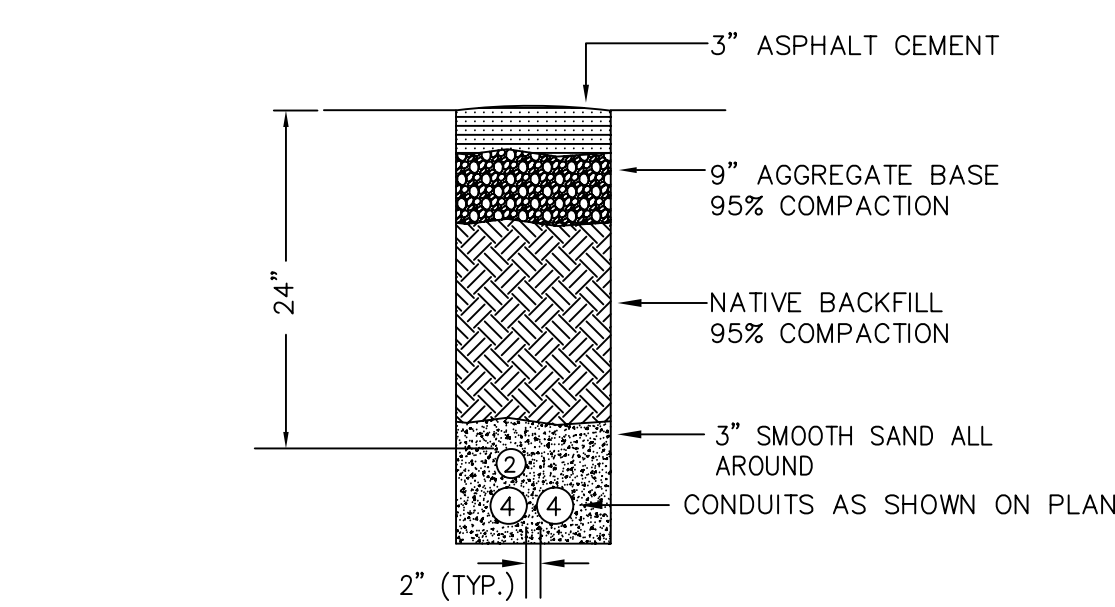
4 15KV LOADBREAK CONNECTOR
N.T.S.



5 480V BUS CONNECTIONS
N.T.S.



6 COMBINATION STARTER WIRING DIAGRAM
N.T.S.



7 TYPICAL TRENCH SECTION, PAVEMENT
N.T.S.

REV	DATE	BY	DESCRIPTION
1	06/03/06	JS	ADDED EQUIPMENT
0	03/04/06	JS	FOR PERMIT
A		JS	PRELIMINARY FOR REVIEW

JEFF SULTAN, P.E.
ELECTRICAL ENGINEER
2081 Camino de los Robles
Menlo Park, CA 94025
(650) 320-7335
jsr@jmseng.com

Cañada College Modernization
CENTRAL PLANT RENOVATION
San Mateo County Community College District

ELECTRICAL DETAILS

DATE	AS NOTED
PROJECT NO.	
DESIGNED BY	JS
CHECKED BY	
DRAWN BY	
DATE	

RECORD DRAWING
RECORD DRAWING IS BASED ON INFORMATION PROVIDED BY THE CONTRACTOR AND HAS NOT BEEN VERIFIED IN THE FIELD BY THE ENGINEER.
DATE: 09/14/06

