

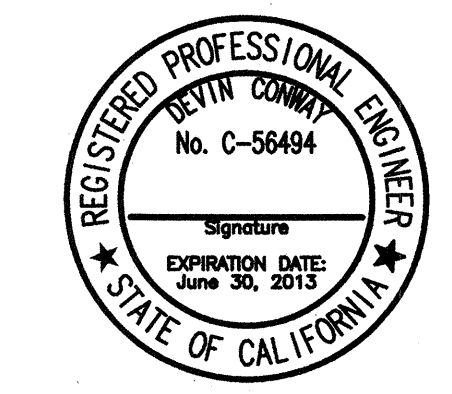
ALL IDEAS, DESIGNS, ARRANGEMENTS, AND PLANS INDICATED OR REPRESENTED BY THIS DRAWING ARE OWNED BY AND THE PROPERTY OF VERDE DESIGN, INC. AND WERE CREATED, EVOLVED, AND DEVELOPED FOR USE ON AND IN CONNECTION WITH THE SPECIFIED PROJECT. NONE OF SUCH IDEAS, DESIGNS, ARRANGEMENTS OR PLANS SHALL BE USED, REPRODUCED, OR PUBLISHED BY ANY METHOD, IN WHOLE OR IN PART, OR DISCLOSED TO ANY PERSON, FIRM, OR CORPORATION FOR ANY PURPOSE WHATSOEVER WITHOUT WRITTEN PERMISSION OF VERDE DESIGN, INC.



VERDE DESIGN
 LANDSCAPE ARCHITECTURE
 CIVIL ENGINEERING
 SPORT PLANNING & DESIGN

2455 The Alameda
 Santa Clara, CA 95050
 Tel: 408.985.7200
 Fax: 408.985.7260
 www.VerdeDesignInc.com

STAMP



CONSULTANT



**American Consulting
 Engineers
 Electrical, Inc.**

1500 The Alameda, Suite 200
 San Jose, CA 95128
 Tel: 408/236-2372
 Fax: 408/236-2316
 JOB #E12249.00



SHEET TITLE

**SINGLE LINE
 DIAGRAM**

PROJECT NAME

**CANADA COLLEGE
 TENNIS FACILITY
 IMPROVEMENTS**

PROJECT ADDRESS

**4200 FARM HILL BLVD
 REDWOOD CITY, CA 94061**

SUBMITTAL	DATE
90%	07/30/12
BID SUBMITTAL	08/21/12
ADDENDUM ONE	08/31/12
CONFORM SET	09/24/12

NO.	REVISIONS	DATE

DRAWN BY: **MM** CHECKED BY: **SF**

DATE ISSUED: **08/21/12** SCALE: **AS NOTED**

PROJ. NO.: **1207300-1281**

SHEET NO.: **E3.1** 31 OF 39 SHEETS

GENERAL NOTES:

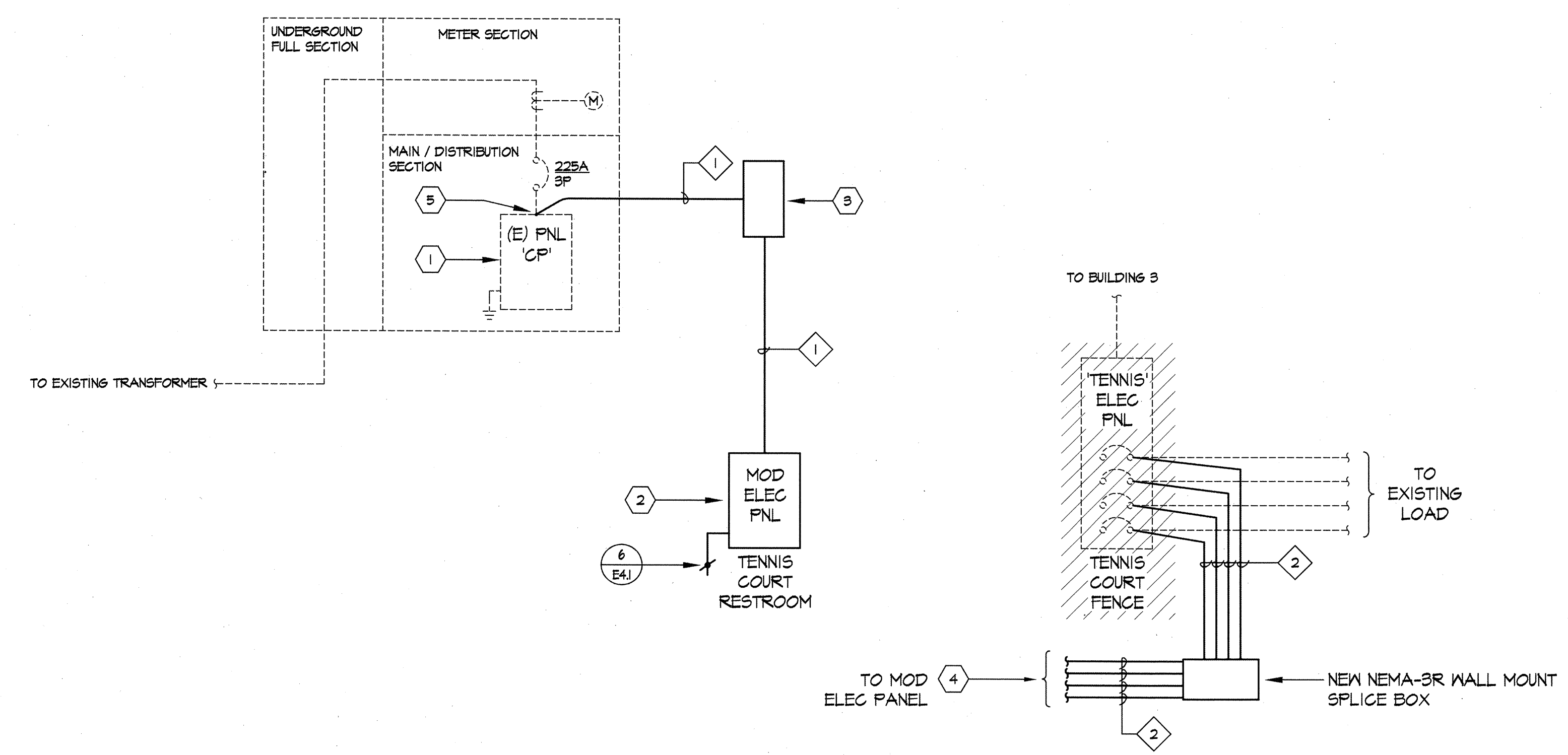
- THE CONTRACTOR SHALL BE RESPONSIBLE FOR FIELD VERIFYING THE EXISTING SWITCHGEAR. ANY DISCREPANCIES SHALL BE REPORTED TO THE OWNER, ARCHITECT OR ENGINEER IMMEDIATELY IN WRITING.

SHEET NOTES:

- EXISTING 225A, 208/120V, 3Ø, 4W NEMA - 3R ELECTRICAL PANEL 'CP' TO BE MAINTAINED AS REQUIRED.
- MODULAR'S ELECTRICAL PANEL. ELECTRICAL CONTRACTOR SHALL PROVIDE FEEDER CONDUIT AND CONDUCTORS AND CONNECT TO ELECTRICAL PANEL. GROUND PER NEC REQUIREMENTS. CONTRACTOR SHALL VERIFY EXACT LOCATION.
- PROVIDE NEMA 3R ENCLOSED 60A/3P CIRCUIT BREAKER. MATCH (E) AIC RATING.
- CONTRACTOR SHALL CONNECT EXISTING BRANCH CIRCUITRY TO NEW MODULAR ELECTRICAL PANEL. PROVIDE FOUR 20/1P CIRCUIT BREAKERS IN PANEL AND CONNECT AS REQUIRED.
- CONTRACTOR SHALL PROVIDE FEED THRU LUGS AND TAP EXISTING PANEL PER NEC.

CABLE SCHEDULE:

- (N) (1) 3"Ø - WITH (N) (3) #1 AND (1) #6 CU GND.
- (N) (2) #1Ø AND (1) #1Ø CU GND.



1 SINGLE LINE DIAGRAM

E3.1 SCALE: NOT TO SCALE