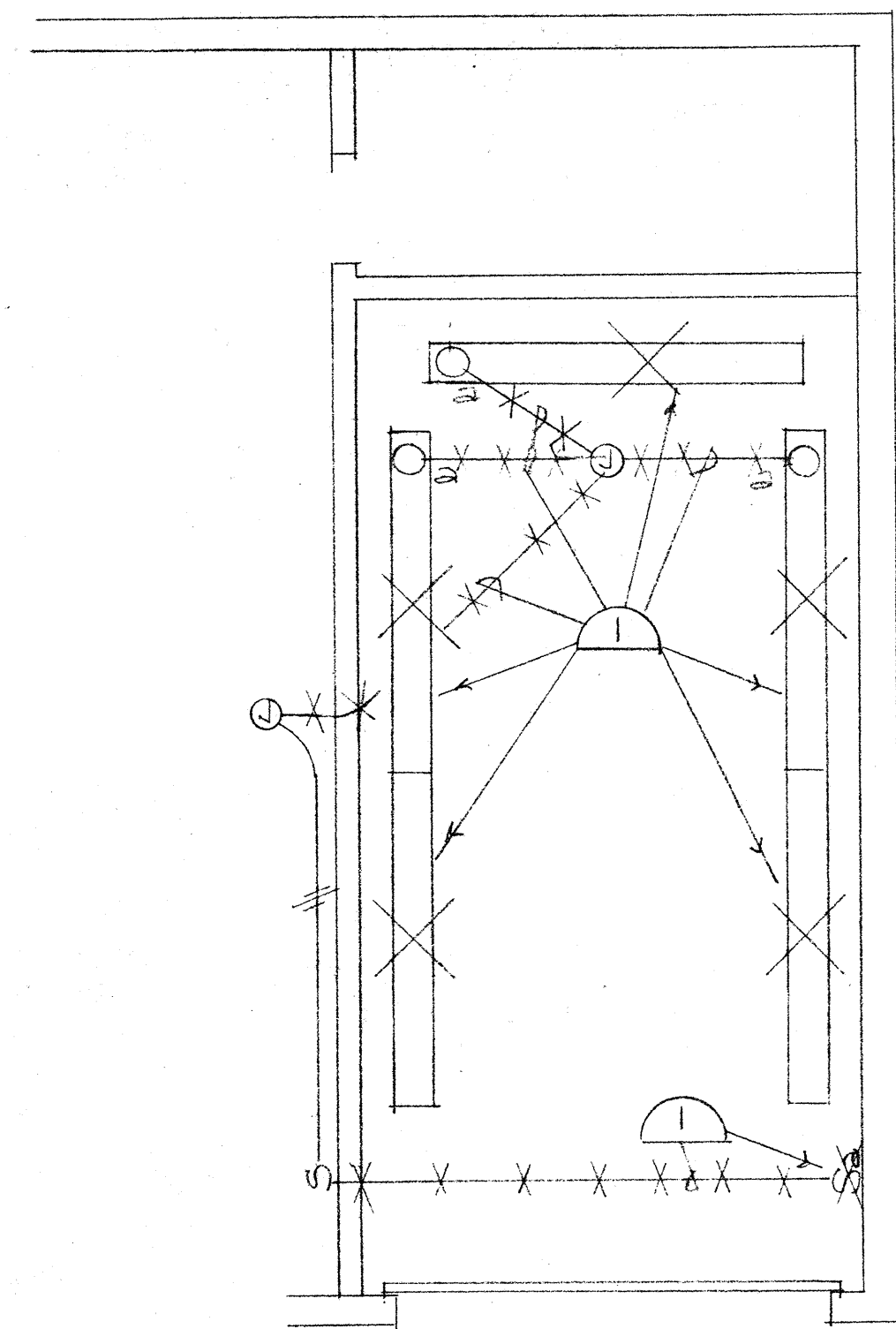
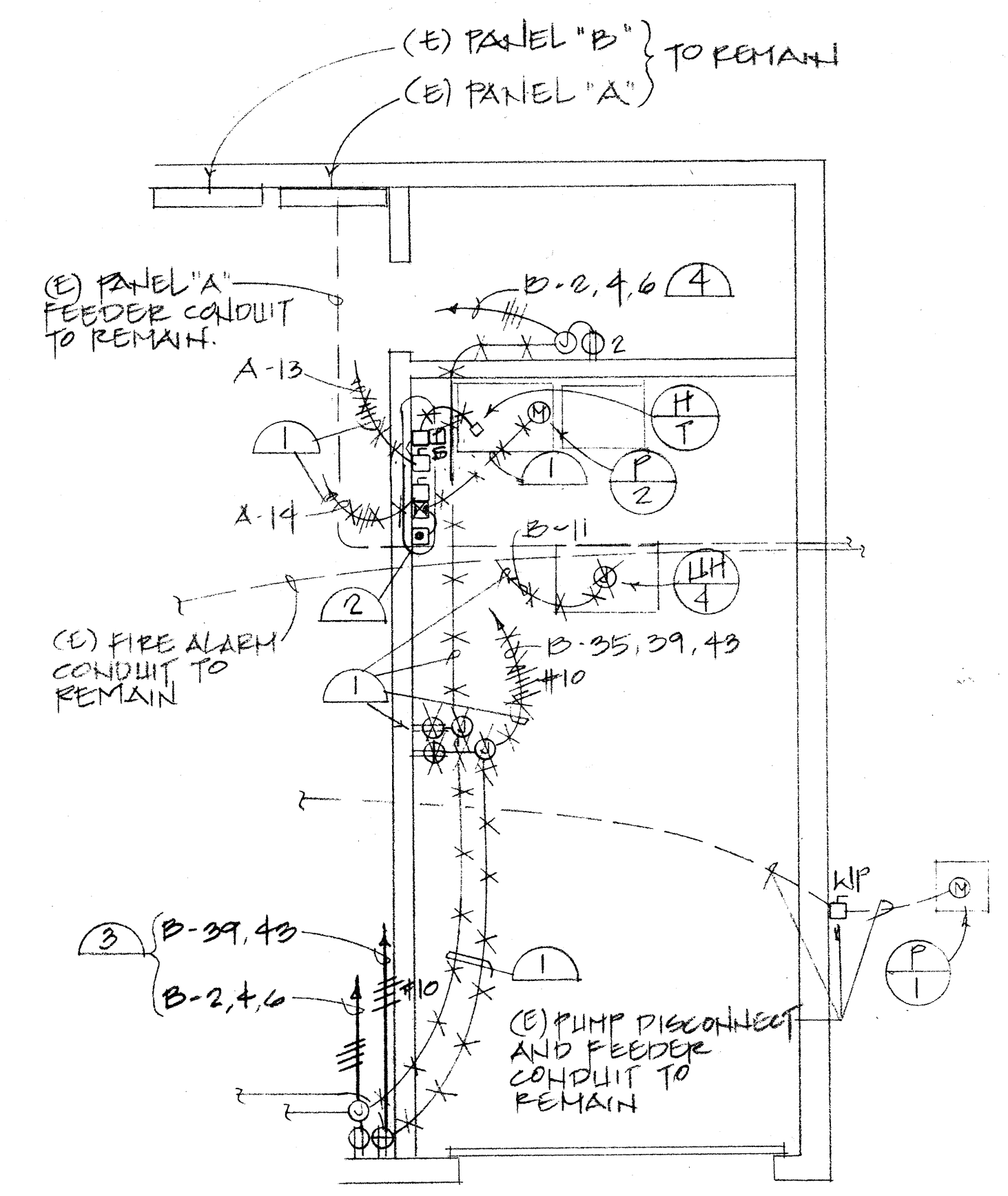


OSA Structural Safety Sect.	Sate Fire Marshal	OSA Access Compliance Sect.



DEMOLITION PLAN - LIGHTING
SCALE: 1/4" = 1'-0"



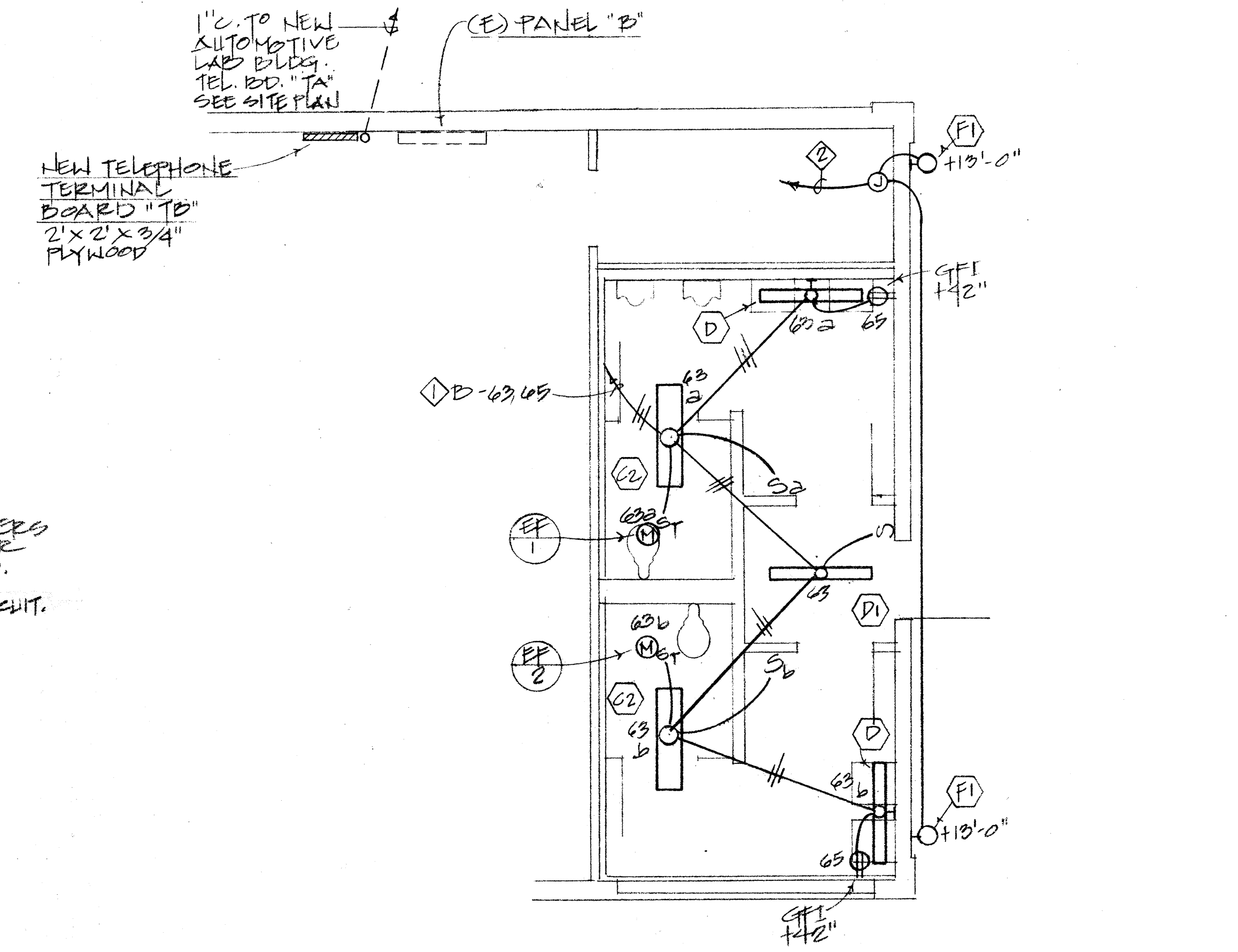
DEMOLITION PLAN - POWER
SCALE: 1/4" = 1'-0"

DEMOLITION NOTES

- ① REMOVE (E) LIGHT FIXTURES, WALL SWITCH, RECEPTACLES AND TURN OVER TO OWNER. PULL OUT WIRES AND ABANDON CONDUITS.
- ② RELOCATE (E) HOT TANK DISCONNECTS, STARTER CONTACTOR, ON-OFF SWITCHES, CONTROL TRANSFORMER TO NEW LOCATION. SEE SHEET E-3.
- ③ PROVIDE NEW CONDUIT AND WIRE AND RECONNECT (E) CIRCUITS IN (E) PANEL.
- ④ MILL OUT EXCESS WIRES FROM HOMERUN.

SHEET NOTES

- ◇ INSTALL AND CONNECT NEW 2-20A/1P CIRCUIT BREAKERS IN (E) PANEL "B" CIRCUITS 63 AND 65 SPACES. CONTRACTOR SHALL VERIFY AVAILABILITY OF CIRCUIT SPACES IN FIELD.
- ② CONNECT TO EXISTING OUTDOOR LIGHTS TIME SWITCH CIRCUIT. VERIFY EXACT LOCATION IN FIELD.



FLOOR PLAN - LIGHTING & POWER
SCALE: 1/4" = 1'-0"

KELLER AND DASEKING ARCHITECTS
 WALTER L. KELLER A.I.A.
 WILLIAM H. DASEKING A.I.A.
 825 OAK GROVE AVENUE
 MENLO PARK, CA 94025 415/322-5366
 c. 1974

AUTOMOTIVE CLASSROOM BUILDING
 TOILET ROOM RENOVATIONS
SKYLINE COLLEGE
 SAN MATEO COUNTY COMMUNITY COLLEGE DISTRICT

8906
 3-12-90
E-5
 41 8 41