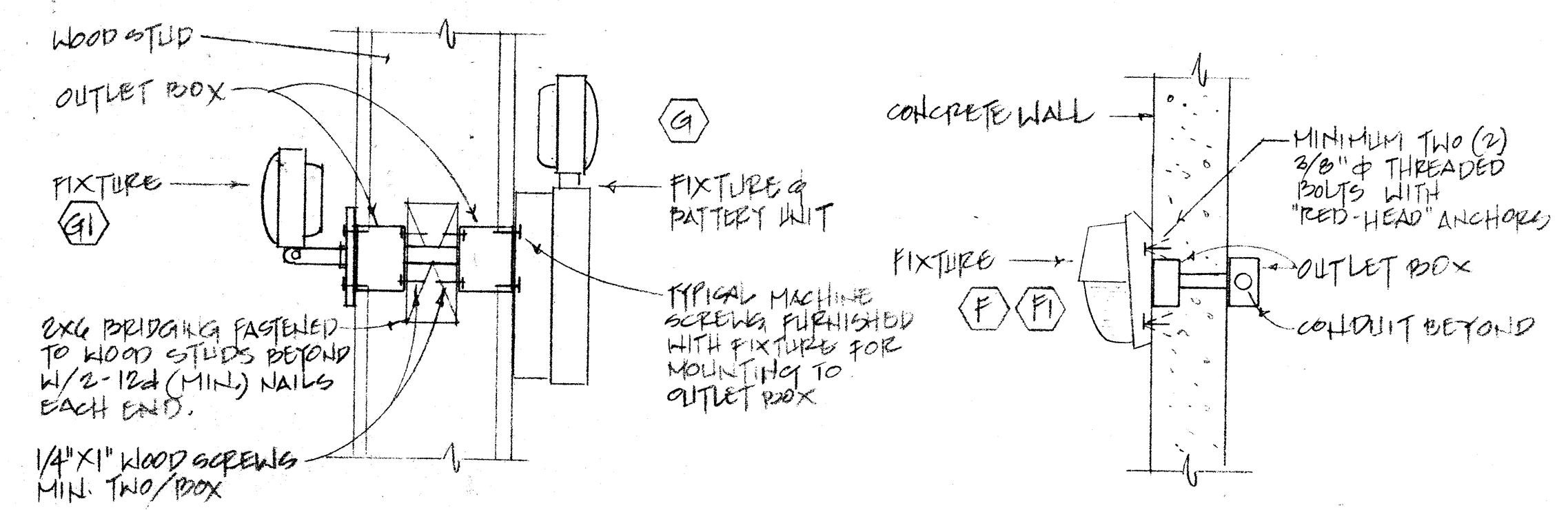
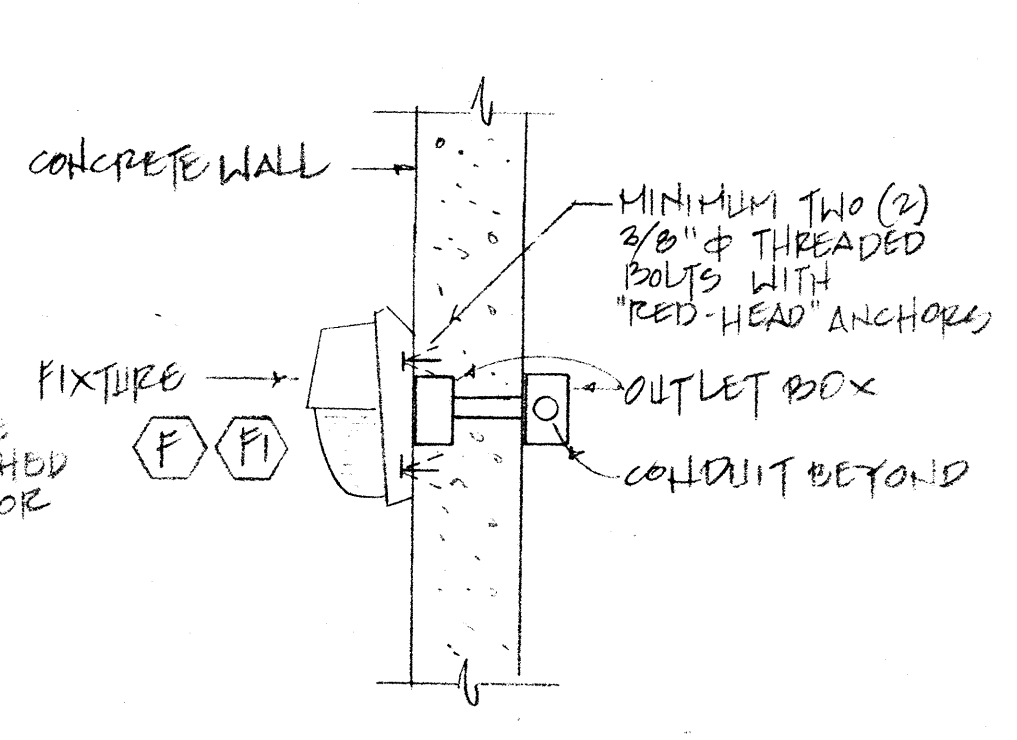


MISCELLANEOUS MOTOR AND EQUIPMENT SCHEDULE							
EQUIP. TAG	DESCRIPTION	HP/KW/FLA	VOLTAGE PHASE	STARTER DATA		DISCONNECT	CONTROL
				MAGN.	MANUAL		
A1	AIR COMPRESSOR #1	8HP 1/20HP	120/208V 3φ	#1	—	20A/3P	PANEL SWITCHED
H1	HOT TANK	1KW	208V 3φ	—	—	30A/3P	
HP1	HIGH PRESSURE WASHER	12KW	208V 1φ	—	—	100A/2P	
P1	HOT TANK PUMP	3/4 HP	208V 3φ	#1	—	30A/3P	
P2	HIGH PRESSURE WASHER PUMP	5HP	208V 3φ	—	—	30A/3P	
F1	FURNACE #1	1 1/2HP	460V 3φ	—	—		BY DIV 15
F2	FURNACE #2	2HP		—	—		
EP1	EXHAUST FAN #1 MENS TOILET	239W	120V 1φ	—	#0		LIGHT SWITCH
EP2	EXHAUST FAN #2 WOMEN'S TOILET			—	—		
CP1	CIRCULATING PUMP #1			—	—		PANEL SWITCHED
AF1	AIR FILTER #1	13FLA		—	—	30A/2P	
AF2	AIR FILTER #2			—	—		
SL1	SCISSOR LIFT CONTROLLER	3HP	208V 1φ	—	—		
AL1	ALIGNMENT LIFT #1 CONTROLLER	2HP		—	—		
AL2	ALIGNMENT LIFT #2 CONTROLLER			—	—		
HP1	HOIST ROOM	10FLA	120V 1φ	—	—		
SC1	STEAM CLEANER			—	—		

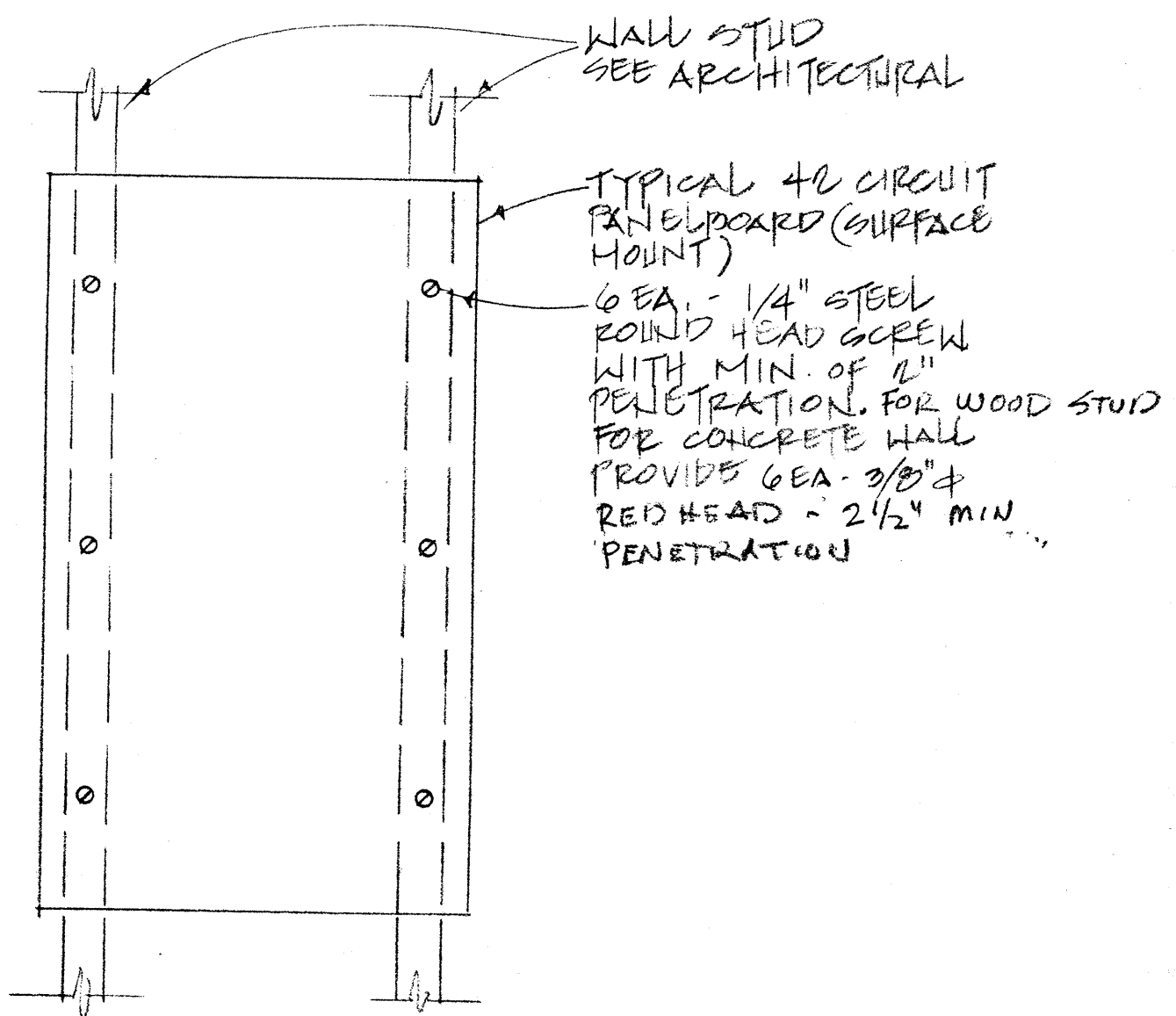
PANELBOARD SCHEDULE						
PANEL	CIRCUIT NO.	CIRCUIT DATA	TYPE	BUS	VOLTAGE PHASE	MOUNTING
"LA"	1 THRU 7	20A/1P	BOLT-ON	225A	277/480V 3φ, 4W	SURFACE E-4
	19, 20, 25	15A/3P				
	26	175A/3P				
	8 THRU 18 (SPACE ONLY)	20A/1P				
	MAIN	200A/3P				
"RA"	1 THRU 21, 23	20A/1P			120/208V 3φ, 4W	
	22	40A/2P				
	29, 26	20A/3P				
	31 THRU 38 (SPACE ONLY)	20A/1P				
"RB"	1 THRU 22	20A/1P				
	29, 30	30A/2P				
	33, 34	20A/2P				
	37, 38, 43, 44	20A/3P				
	49, 50	40A/3P				
"RC"	1 THRU 22	20A/1P				
	23, 24, 27, 28	20A/2P				
	21, 22, 27, 33	20A/3P				



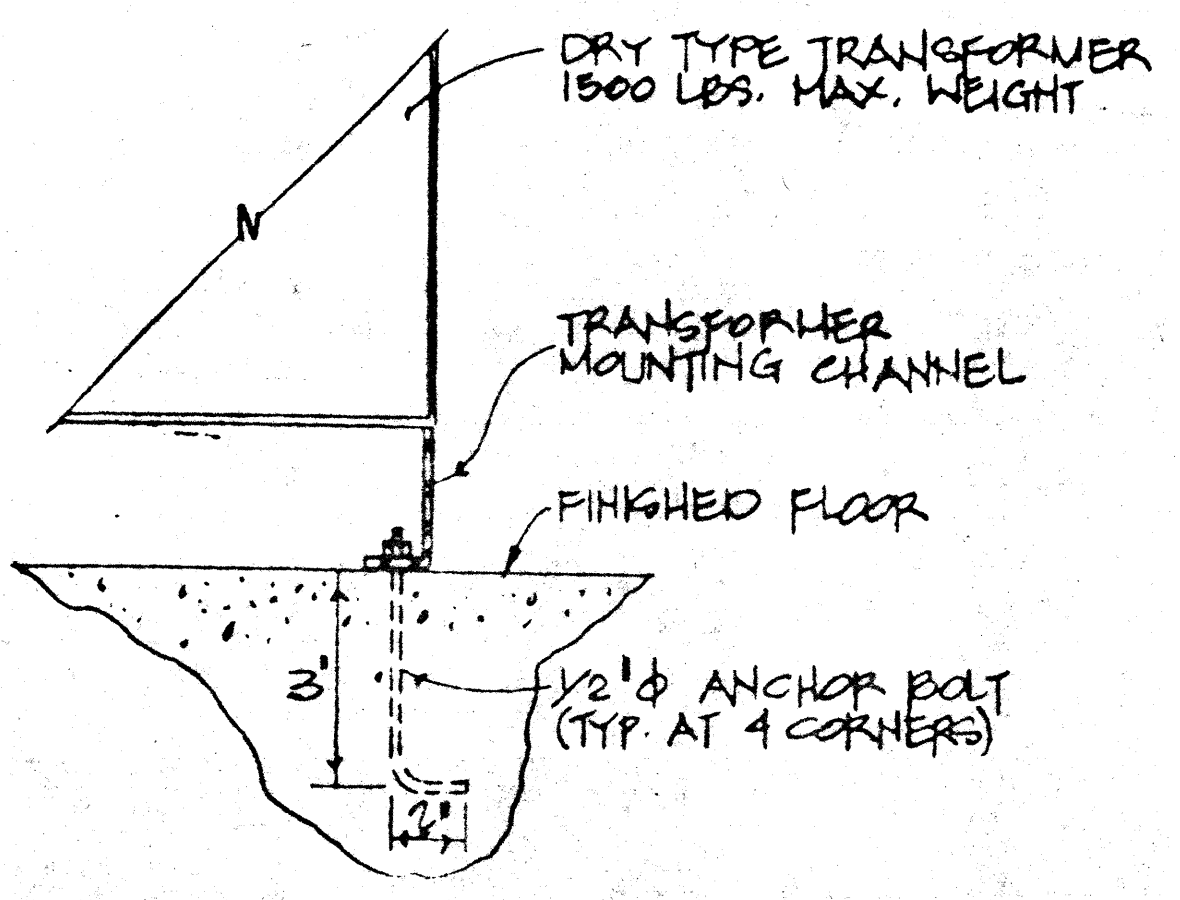
DETAIL E-4



DETAIL E-3 NOT TO SCALE



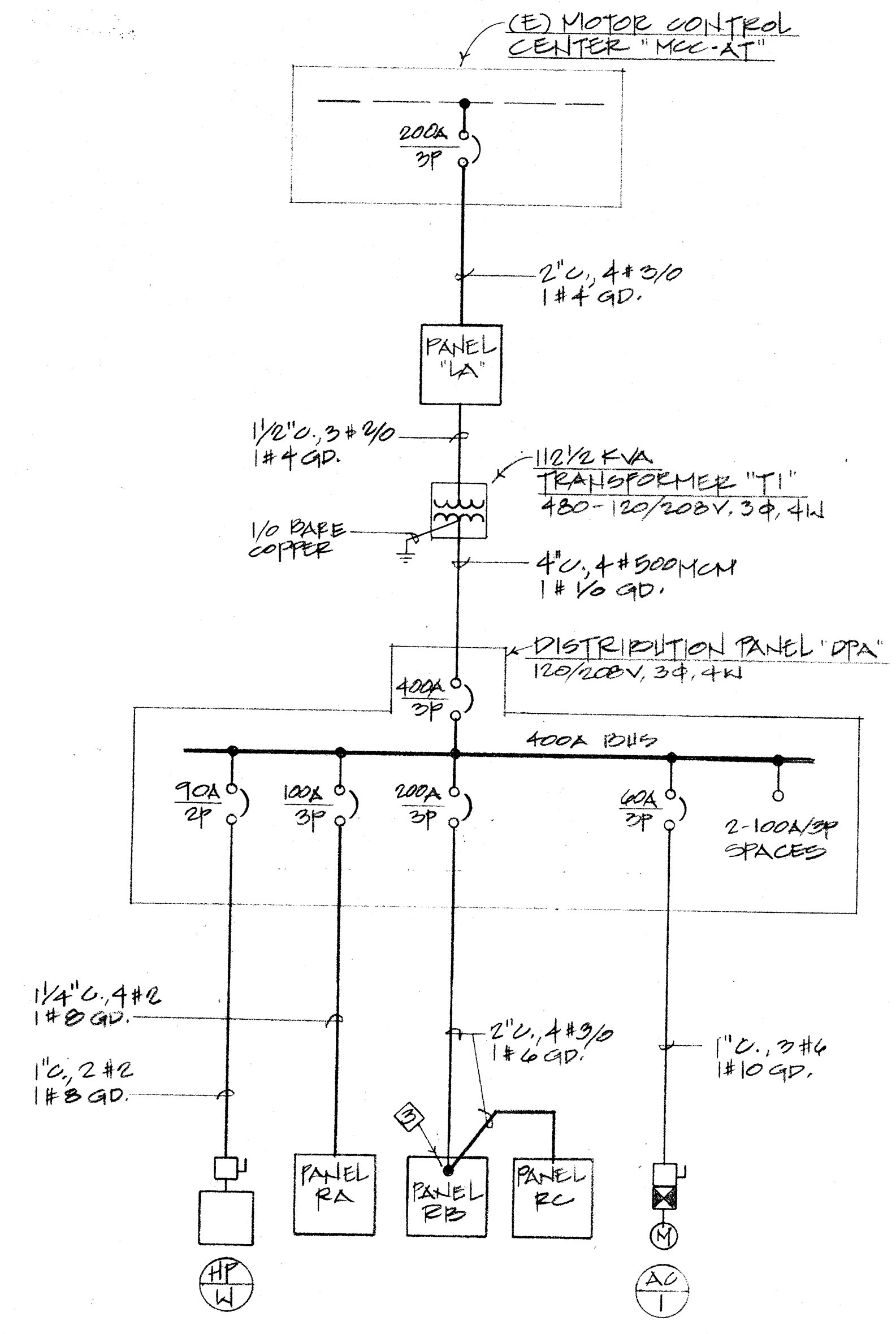
TYPICAL PANELBOARD ELEVATION NOT TO SCALE



TRANSFORMER ANCHOR DETAIL NOT TO SCALE

OSA Structural Safety Sect.	State Fire Marshal	OSA Access Compliance Sect.
IDENTIFICATION STAMP Department of General Services Office of the State Architect Structural Safety Section Appl. # 537-71 J/L/T	APPROVED FOR CONSTRUCTION BY STATE FIRE MARSHAL 12-11-80	APPROVED FOR ACCESS COMPLIANCE BY 93721 DEC 14 '90 APPLICATOR: FEA W. JUD BATES

- SHEET NOTES**
- ◇ PACKAGE UNIT WITH STARTERS, CONTROLLERS, ETC.
  - ◇ DOUBLE SECTION PANEL
  - ◇ DOUBLE LUG PANEL "RB"



SINGLE LINE DIAGRAM

KELLER AND DASEKING ARCHITECTS  
 WALTER L. KELLER A.I.A.  
 WILLIAM H. DASEKING A.I.A.  
 825 OAK GROVE AVENUE  
 C. 1974  
 MENLO PARK, CA 94025 415/322-5386

AUTOMOTIVE CLASSROOM BUILDING  
 TOILET ROOM RENOVATIONS  
 SKYLINE COLLEGE  
 SAN MATEO COUNTY COMMUNITY COLLEGE DISTRICT

8906  
 3-12-90  
 E-4  
 40 & 41