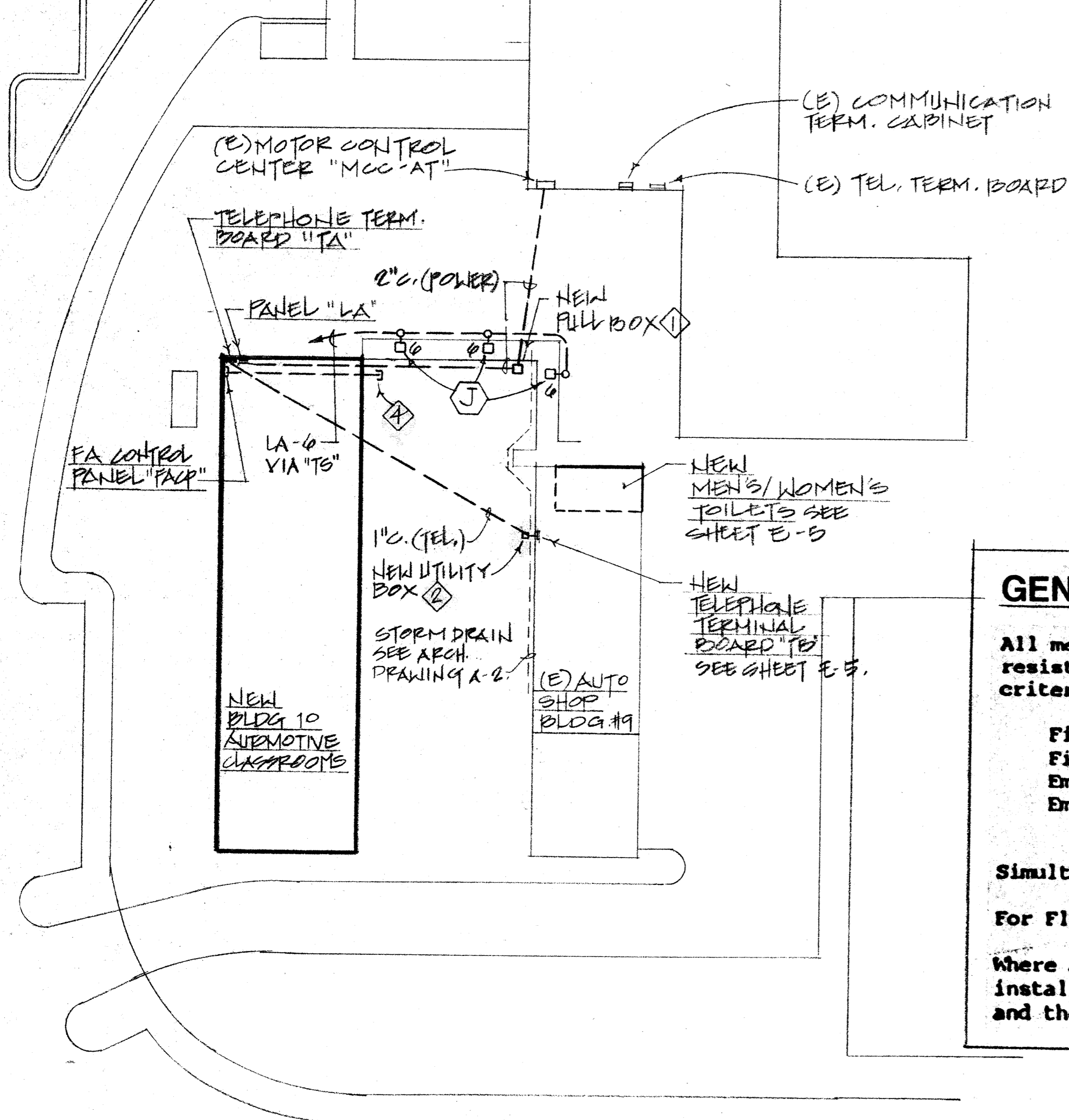
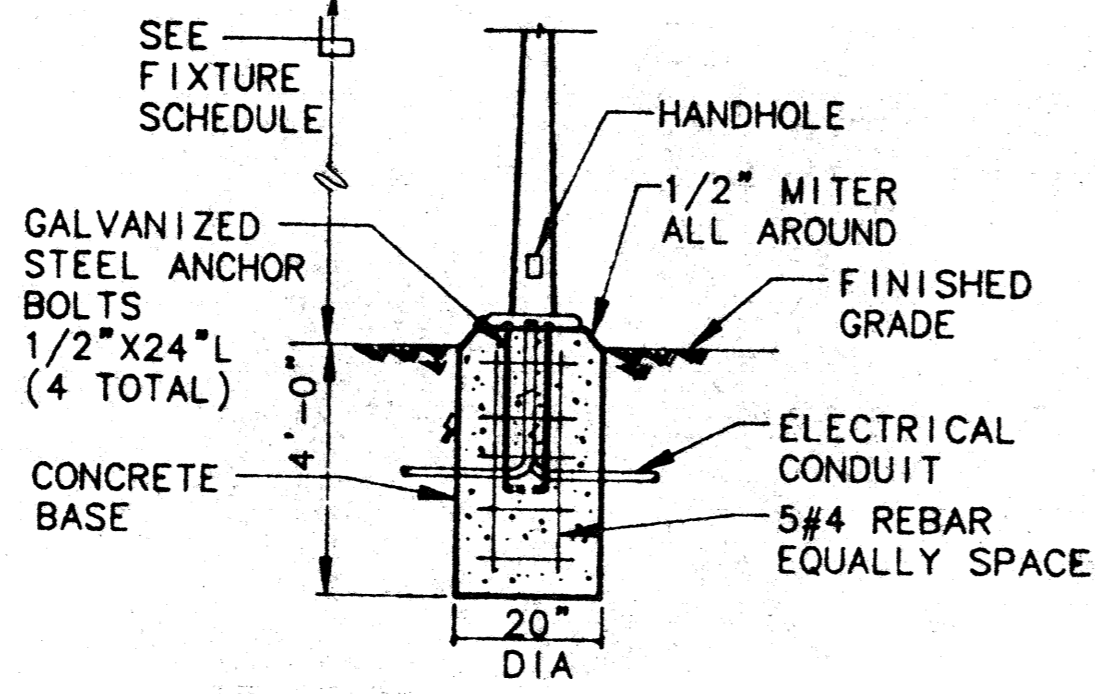


(E) TECHNICAL & VOCATIONAL WING "A"



SHEET NOTES

- ◆ ASSOCIATED CONCRETE PRODUCTS "QUIK-SET" # NPB1100 WITH ONE PIECE BOLT DOWN TRAFFIC COVER.
- ◆ ASSOCIATED CONCRETE PRODUCTS "QUIK-SET" # E17-X-B-00.
- ◆ DIET DETECTORS FURNISHED AND INSTALLED UNDER DIV. 15, CONNECTED UNDER DIV. 16.
- ◆ STUD AND CAP 1" DIA. FIVE FEET FROM BLDG.
- ◆ SEE PLANS FOR MOUNTING HEIGHT.
- ◆ SEE ARCH. DRAWINGS FOR JOIST AND BLOCKING CONDITIONS. (TYPICAL)



GENERAL NOTE #1

All mechanical and electrical equipment shall be braced or anchored to resist a horizontal force acting in any direction using the following criteria:

Fixed Equipment on Grade	20% of Operating Weight
Fixed Equipment on Structure	30% of Operating Weight
Emergency Power Equipment on Grade	30% of Operating Weight
Emergency Power Equipment on Structure	40% of Operating Weight

Simultaneous Vertical Force - Use 1/3 X Horizontal Force.

For Flexibly Mounted Equipment see Title 24, Section 2312(g)2.

Where anchorage details are not shown on the drawings, the field installation shall be subject to the approval of the ELECTRICAL engineer and the field representative of the Office of the State Architect.

OMIT

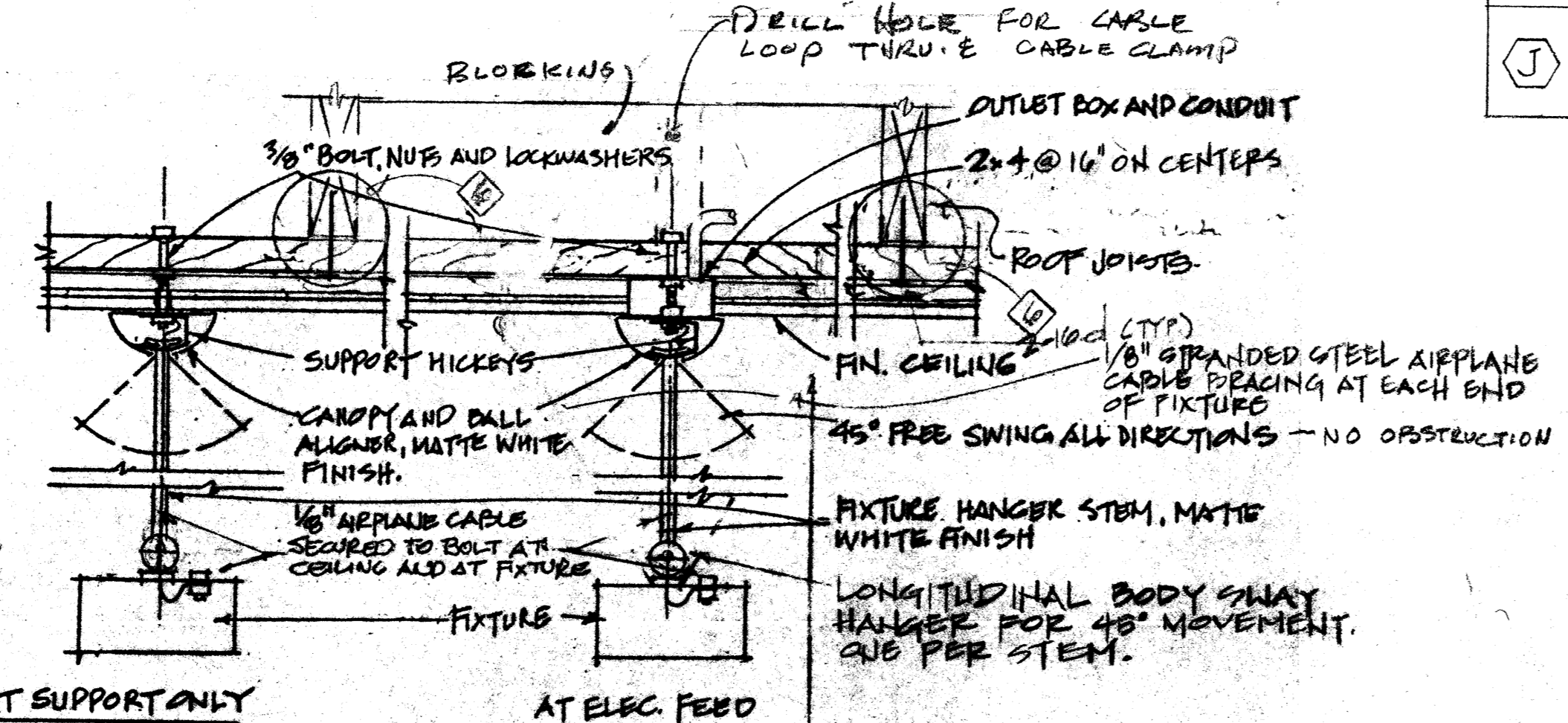
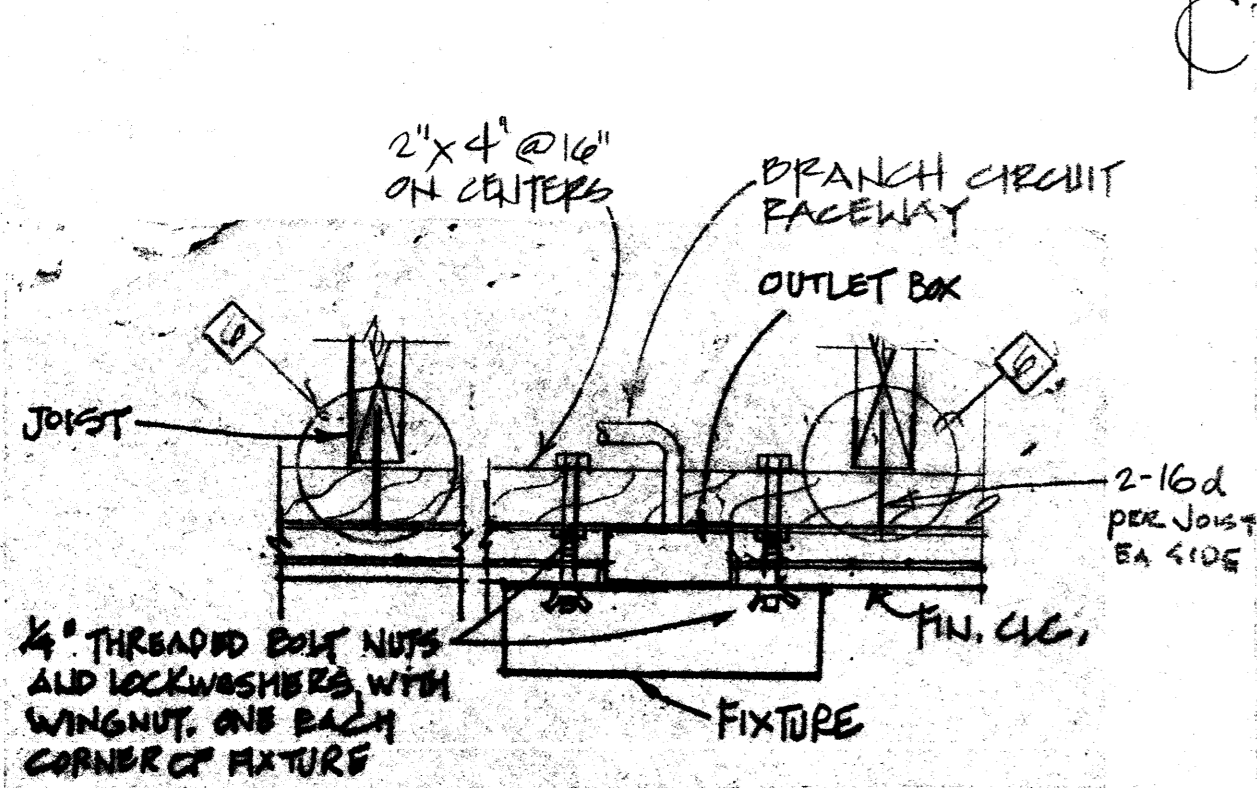
TAG	MANUFACTURER'S CATALOG NO.	LAMPS	VOLTAGE	MOUNTING	WT.
(A)	KLP #KWP296HO-ES-STEM MOUNT PRUDENTIAL #P-DL-1002-76-HO-PRA-SSC STEMS-BAKED WHITE ENAMEL	2-F40T12 SP35/HO /WM	277V	PENDANT STEM BOT. OF FIX. @ 14 FT. KIT E-1	40 Lbs.
(A1)	KLP #KWP296HO-ES-HUB AND COUPLING KITS PRUDENTIAL #P-1002-76-HO-PRA-HUB AND COUPLING KITS-SSC STEM-BAKED WHITE ENAMEL	2-F40T12 SP35/HO /WM			40 Lbs.
(B)	KEYSTONE #CG140-B-WG-ES KEENE #C140RS-T-WG-ES LITHONIA #C190-WG-ES	2-F40/ SP35/ RS/WM		SURFACE CEILING E-1	15 Lbs.
(C)	LITHONIA #AW-440-AR-ES MARK #MH16-440A-ES	4-F40/ SP35/ RS/WM			
(C1)	LITHONIA #AW-240-AR-ES MARK #MH16-240A-ES	3-F40/ SP35/ RS/WM			25 Lbs.
(C2)	LITHONIA #AW-240-AR-ES MARK #MH12-240A-ES	2-F40/ SP35/ RS/WM			18 Lbs.
(D)	MARK #WBMHS-ES KEENE #CW240-ES	2-F40/ SP35/ RS/WM		SURFACE WALL ABOVE MIRROR E-1	14 Lbs.
(D1)	MARK #MH5-240A-ES PRUDENTIAL #P-1222-48-ES-PRA-ES	2-F40/ SP35/ RS/WM		SURFACE CEILING E-1	15 Lbs.
(E1)	KEYSTONE #CS240-WG-ES KEENE #C240RS-WG-ES LITHONIA #C240-WG-ES	2-F40 SP35/ RS/WM			9 Lbs.
(F)	LITHONIA #TWP-1505-PRAZE FINISH	1-L1150 HPS		CENTER OF FIXTURE @ 13'-8" AFF E-1	16 Lbs.
(F1)	LITHONIA #TWP-1005-BRONZE FINISH	1-L1100 HPS		SURFACE WALL E-1	16 Lbs.
(G)	DUAL-LITE "LIMENETTE" #ML-10E	2-25W SEAL BEAM 2-25W SEAL BEAM	277V 6V	SURFACE WALL E-1	15 Lbs.
(G1)	DUAL-LITE "REMP-2" TWIN REMOTE HEADS				2 Lbs.
(A2)	SAME AS TYPE "A" EXCEPT MOUNT	2-F40T12 SP35/HO /WM	277V	SURFACE CEILING E-1	40 Lbs.
(H)	PRESCOLITE #1147-002-MATTE WHITE FINISH	1-300 F52B/1F	120V	SURFACE CEILING E-1	6 Lbs.
(J)	GUARDCO #EH-14"-1-3-077-70HPS-BRA- ALUMINUM 22' HEAD 15'-0" HIGH POLE	1-L170 HPS	277V	POLE MT. E-1	

LEGEND

- INCANDESCENT/HID LIGHTING FIXTURE - WALL MOUNTED
- INCANDESCENT/HID LIGHTING FIXTURE - SURFACE
- FLUORESCENT FIXTURE AND OUTLET-PENDANT OR SURFACE
- S SINGLE POLE WALL SWITCH + 48" U.O.N.
- DIMMER SWITCH + 48" LUTRON - "NOVA" #N-1000H
- ⊕ JUNCTION BOX
- ⊕ RECEPTACLE, DUPLEX 20A, 120V, 3P/4 + 12" U.O.N.
- ▶ TELEPHONE WALL OUTLET + 12" U.O.N.
- ⊙ MOTOR OUTLET AND CONNECTION
- ST MANUAL MOTOR STARTER
- DISCONNECT SWITCH
- ⬡ LIGHTING FIXTURE IDENTIFICATION TAG
- ◆ SHEET NOTE IDENTIFICATION TAG
- ⊕ MECHANICAL EQUIPMENT IDENTIFICATION TAG
- ⊕ DETAIL OR DIAGRAM IDENTIFICATION TAG
- CONDUIT RUN CONCEALED BELOW FLOOR OR GRADE
- /// CONDUIT RUN CONCEALED IN CEILING OR WALL
- INDICATES GROUND WIRE
- INDICATES QUANTITY OF #12 WIRES IF MORE THAN TWO
- OTHER WIRE SIZES AS CALLED OUT ON PLAN.
- INDICATES EQUIPMENT CONNECTION.
- SURFACE RACEWAY, WIREMOLD 9'-6000 + 36"
- ⊕ FIRE ALARM MANUAL PULL STATION + 48"
- ⊕ FIRE ALARM HORN WITH STROBE + 8' 6"
- ⊕ FIRE ALARM DIET SMOKE DETECTOR
- ARCH ARCHITECT
- AFF ABOVE FINISHED FLOOR
- MTP MOUNTED
- UN UNLESS OTHERWISE NOTED
- TEL TELEPHONE
- TRANK TRANSFORMER
- (E) EXISTING
- GFI GROUND FAULT INTERRUPTER
- HP HORSEPOWER
- TERM TERMINAL
- WP WEATHERPROOF
- TYP TYPICAL
- DIV DIVISION
- GD GROUND
- FA FIRE ALARM
- ⊕ EMERGENCY BATTERY PACK WITH TWO HEADS.
- ⊕ REMOTE EMERGENCY LIGHTING UNIT - TWIN HEADS
- ⊕ OVERHEAD REEL AND CORD WITH DOUBLE DUPLEX RECEPTACLE 20A, 120V, 3P/4. SEE E-1 EXCEPT AS NOTED.
- ⊕ RECEPTACLE SINGLE, 20A, 120/208V, 1φ, 4W
- ⊕ RECEPTACLE SINGLE, 20A, 120/208V, 3φ, 5W
- ⊕ STOP/START PREHIBITION
- ⊕ MAGNETIC MOTOR STARTER
- ⊕ RECEPTACLE, SINGLE, 30A, 120V, 3P/4 MOUNTED IN SURFACE RACEWAY
- ⊕ RECEPTACLE, SINGLE, 20A, 120/208V, 1φ, 4W MOUNTED IN SURFACE RACEWAY
- ⊕ RECEPTACLE, SINGLE, 20A, 120/208V, 3φ, 5W MOUNTED IN SURFACE RACEWAY

SITE PLAN

SCALE: 1" = 30'-0"



GENERAL NOTE #2

PROVIDE SEPARATE SHOP DRAWINGS FOR FIRE ALARM SYSTEM TO STATE FIRE MARSHAL AT OSA, FOR REVIEW AND APPROVAL PRIOR TO INSTALLATION. PROVIDE STATE FIRE MARSHAL LIST NUMBER FOR ALL COMPONENTS.

OSA Structural Safety Sect.	CALIFORNIA STATE FIRE MARSHAL	OSA Access Compliance Sect.
IDENTIFICATION STAMP Department of General Services Office of the State Architect APR 11 1993 Structural Safety Section App # 53721 9/57	APPROVED APPROVAL OF THIS PLAN DOES NOT AUTHORIZE OR APPROVE ANY CONSTRUCTION OR DEVIATION FROM APPLICABLE REGULATIONS. FINAL APPROVAL IS SUBJECT TO THESE REGULATIONS. ONE SET OF APPROVED PLANS SHALL BE AVAILABLE AND THE BUILDING SITE AT THE TIME. RECEIVED APR 12 1993	OFFICE OF THE STATE ARCHITECT 53721 DEC 14 1990 APPROVED REV. 8-22-90

KELLER AND DASEKING - ARCHITECTS
 WALTER L. KELLER AIA
 WILLIAM H. DASEKING AIA
 805 OAK GROVE AVENUE
 SAN FRANCISCO, CALIF. 94115
 TEL. 927-2502
AUTOMOTIVE CLASSROOM BUILDING
 TOILET ROOM RENOVATIONS
SKYLINE COLLEGE
 SAN MATEO COUNTY COMMUNITY COLLEGE DISTRICT
 SAN MATEO, CALIF. 94025-4152/25-566
8906
 3-12-90
E-1
 97 & 41