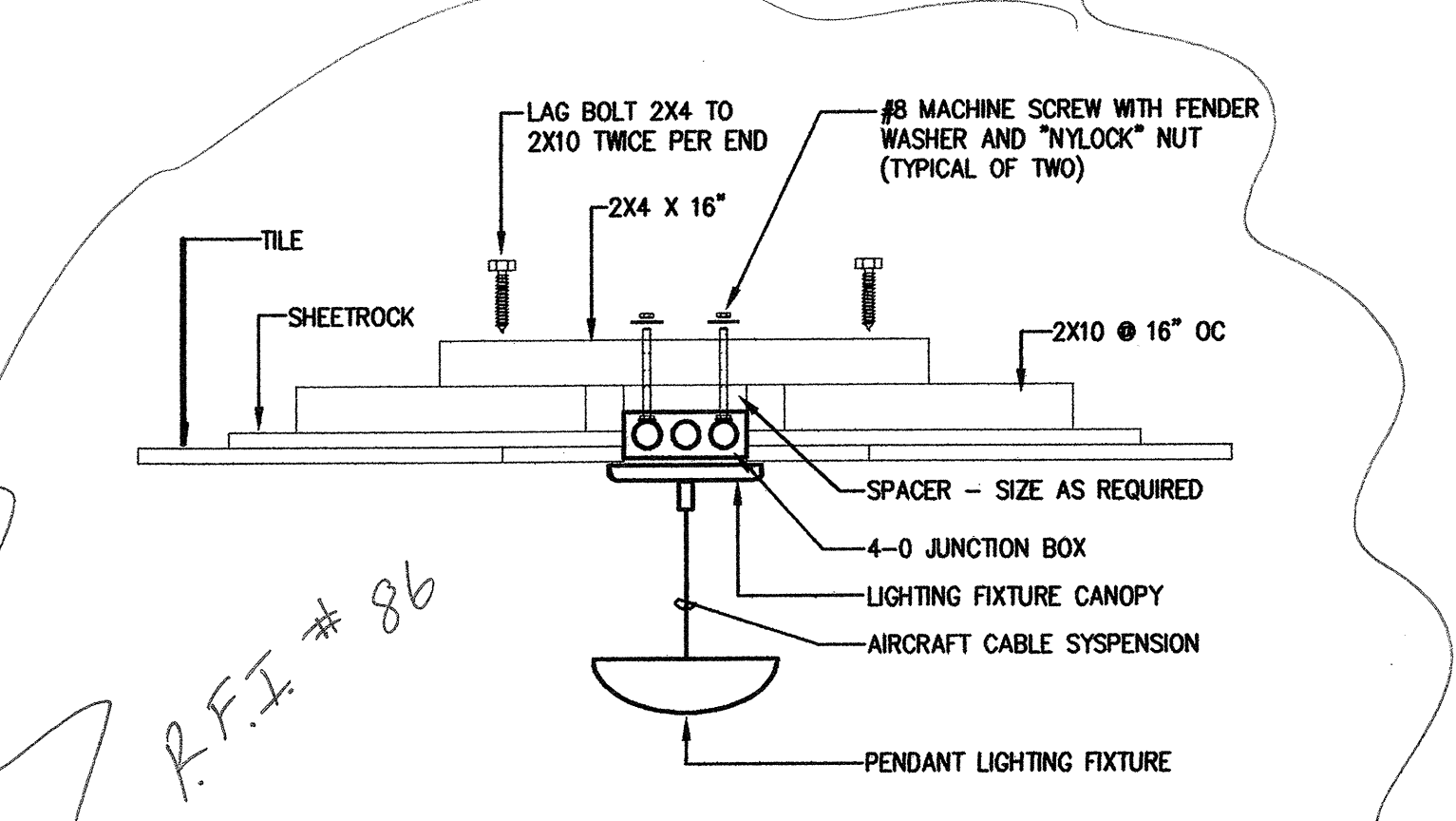
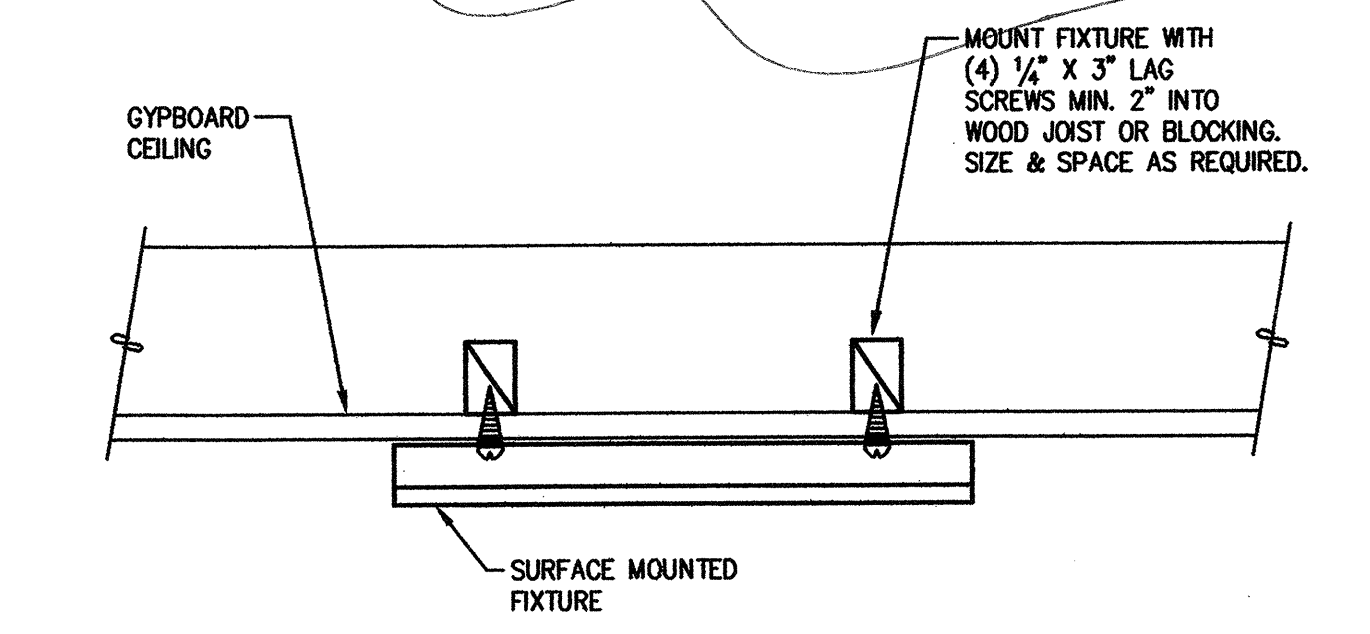


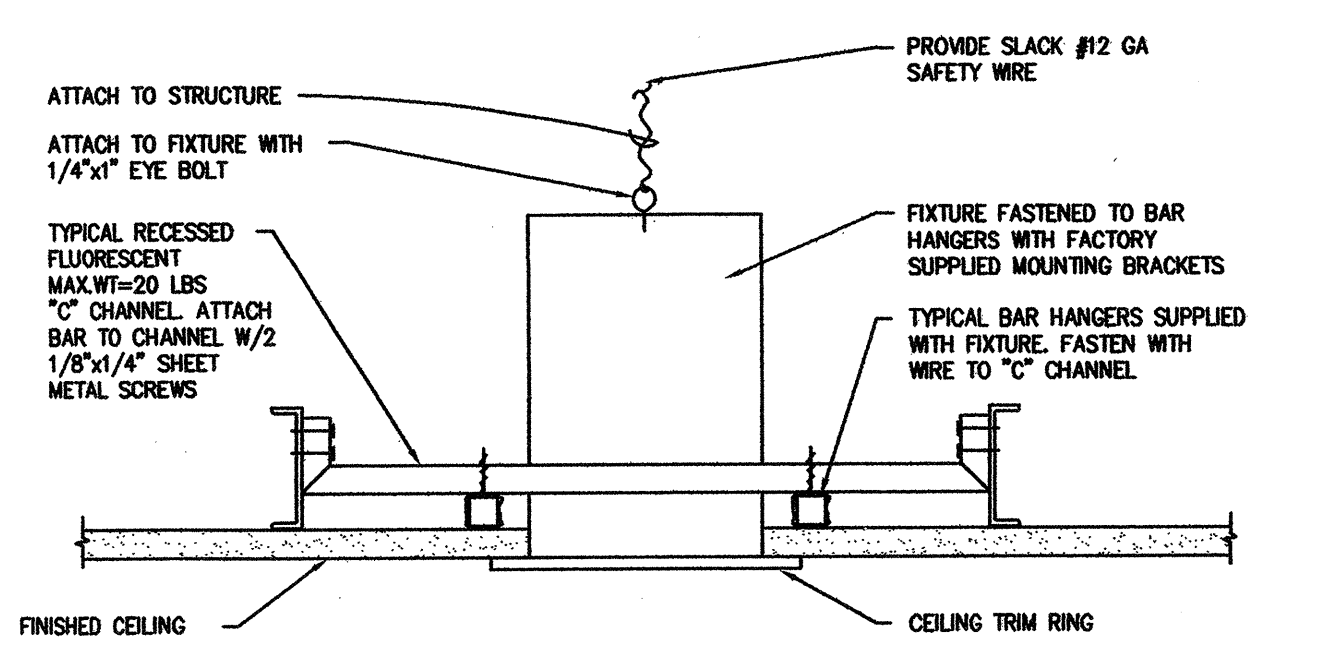
1 RECESSED FLUORESCENT FIXTURE MOUNTING DETAIL FOR T-BAR CEILING



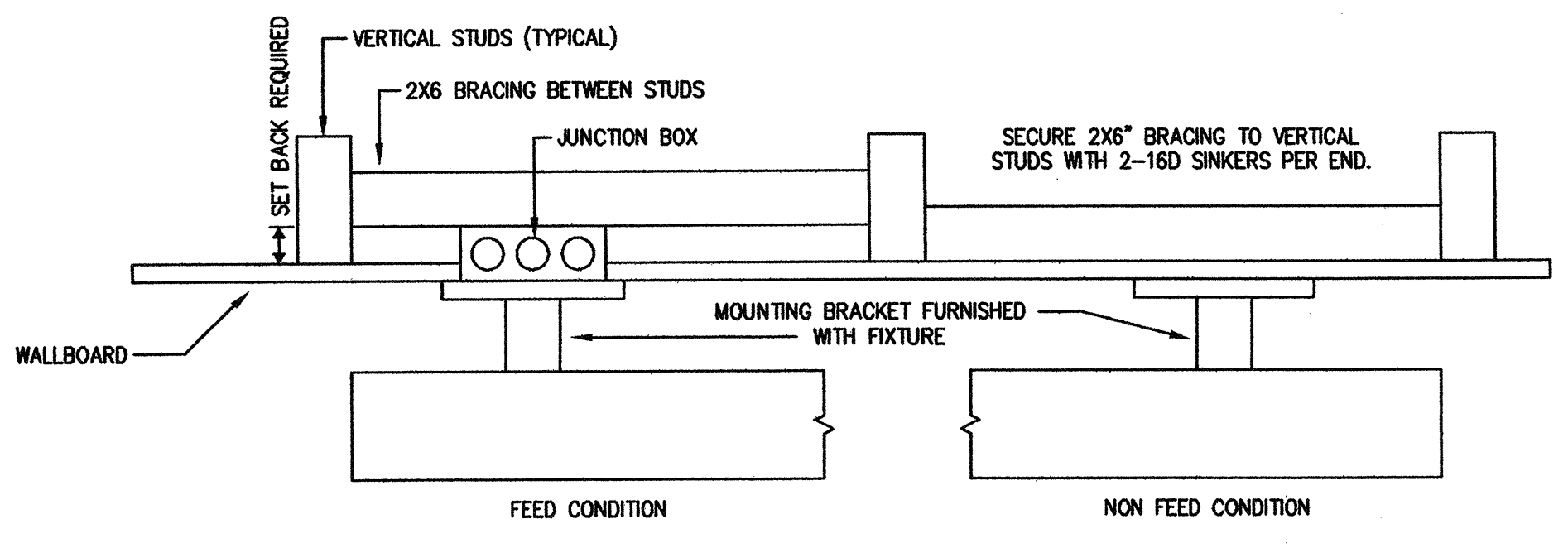
2 TYPES 'A' & 'A1' MOUNTING DETAIL
NOT TO SCALE



3 SURFACE MOUNTED FIXTURE DETAIL
NOT TO SCALE



4 RECESSED FLUORESCENT DOWNLIGHT MOUNTING DETAIL
NOT TO SCALE



5 TYPE 'I' AND 'L' MOUNTING DETAIL
NOT TO SCALE

GENERAL ELECTRICAL NOTES

- ELECTRICAL CONTRACTOR IS TO PROVIDE LABOR, MATERIALS, TRANSPORTATION, EQUIPMENT, RELATED HAND TOOLS, SPECIAL AND OCCASIONAL SERVICES TO CONSTRUCT AND INSTALL THE COMPLETE ELECTRICAL SYSTEM AS SPECIFIED AND SHOWN ON THE PLANS.
- MOUNTING HEIGHTS SHOWN (I.E. +48") ARE FROM FINISHED FLOOR TO CENTERLINE OUTLET. ALL MOUNTING HEIGHTS SHALL BE AS SHOWN ON SYMBOL LIST UNLESS OTHERWISE NOTED ON DRAWINGS.
- BONDING JUMPERS SHALL BE INSTALLED TO INSURE CONTINUITY WHERE CONDUIT CONNECTIONS AT CONCENTRIC KNOCKOUTS ARE TO SERVE AS A GROUND.
- PROVIDE GREEN THIN COPPER GROUND WIRE FROM PANELBOARD GROUND BUS TO ALL MECHANICAL EQUIPMENT.
- THE ELECTRICIAN SHALL CHECK THE TIGHTNESS OF ALL PANELBOARD BUSES AND CIRCUIT BREAKER LUGS. COMPLETELY VACUUM AND CLEAN INTERIOR OF EQUIPMENT PRIOR TO PLACING SERVICE INTO OPERATION.
- ALL EQUIPMENT SHALL BE U.L. LISTED AND INSTALLED AS PER LISTING OR LABELING (I.E. MAX. FUSE SIZES MEAN FUSE PROTECTION REQUIRED).
- REFER TO ARCHITECTURAL DRAWINGS FOR ACTUAL LAYOUTS OF LIGHTING FIXTURES IN CEILING.
- CONTRACTOR TO COORDINATE ALL NEW WORK WITH EXISTING CONDITIONS.
- ALL ELECTRICAL CONDUIT AND ELECTRICAL EQUIPMENT SHALL BE BRACED OR ANCHORED TO RESIST HORIZONTAL FORCES AS REQUIRED BY SECTION 1630A AND TABLE 16A-0, TITLE 24, CALIFORNIA ADMINISTRATIVE CODE, PART 2. WHERE ANCHORAGE DETAILS ARE NOT SHOWN ON DRAWINGS THE FIELD INSTALLATION SHALL BE SUBJECT TO THE APPROVAL OF THE STRUCTURAL ENGINEER AND THE FIELD INSPECTOR.
- ELECTRICAL CONTRACTOR SHALL BE RESPONSIBLE FOR DAMAGES TO ALL WALLS, FLOORS AND CEILINGS INCURRED DURING ELECTRICAL CONSTRUCTION. IF DAMAGE OCCURS DURING ELECTRICAL CONSTRUCTION, THEY SHALL COORDINATE WITH GENERAL CONTRACTOR TO PATCH, PAINT AND REPAIR TO MATCH EXISTING CONDITIONS.
- COORDINATE EQUIPMENT LOCATIONS AND ELECTRICAL REQUIREMENTS OF ALL EQUIPMENT REQUIRING ELECTRICAL HOOK-UP WITH CONTRACTOR RESPONSIBLE FOR PROVIDING EQUIPMENT AND EQUIPMENT MANUFACTURER DATA SHEETS.
- REFER TO ARCHITECTURAL DRAWINGS FOR EXACT LOCATIONS AND ORIENTATION OF ALL ELECTRICAL OUTLETS.
- UPON COMPLETION OF THE INSTALLATION OF THE FIRE PROTECTIVE SIGNALING EQUIPMENT, A SATISFACTORY TEST OF THE ENTIRE SYSTEM SHALL BE MADE IN THE PRESENCE OF THE ENFORCING FIRE AGENCY.
- FLUORESCENT LIGHT FIXTURES SHALL HAVE CERTIFIED LUMINAIRE/BALLASTS PER STATE OF CALIFORNIA BUILDING ENERGY STANDARDS 2-5314(G).
- ALL WALL PENETRATIONS FOR PIPES, CONDUITS, ETC., IN RATED WALLS REQUIRING PROTECTED OPENINGS SHALL BE FIRE STOPPED. FIRE STOP MATERIAL SHALL BE A TESTED ASSEMBLY APPROVED BY THE FIRE MARSHAL.
- ELECTRICAL CONTRACTOR SHALL REVIEW MECHANICAL AND PLUMBING CONTRACT DRAWINGS AND VERIFY ALL MECHANICAL EQUIPMENT LOCATIONS, MOTOR SIZES AND CONTROL WIRING REQUIREMENTS WITH MECHANICAL CONTRACTOR AND MECHANICAL EQUIPMENT SUPPLIERS AND MANUFACTURERS PRIOR TO INSTALLATION OF ELECTRICAL CONNECTIONS.
- RECEPTACLES SHALL NOT BE INSTALLED BACK TO BACK AND SHALL, WHEREVER POSSIBLE, BE SPACED 24" APART. WHERE RECEPTACLES CANNOT BE SPACED 24" APART, PROVIDE 3M FIRE RATED PUTTY PADS TO MATCH WALL FIRE RATING.
- PROVIDE AN ISOLATED GROUND WIRE IN ADDITION TO NORMAL EQUIPMENT GROUND IN ALL COMPUTER DEDICATED CIRCUITS.
- PROVIDE TYPED PANEL DIRECTORY GIVING CIRCUIT NUMBER AND COMPLETE DESCRIPTION OF ALL OUTLETS CONTROLLED BY EACH CIRCUIT BREAKER.
- ALL CONTROL DEVICES TO BE USED BY THE OCCUPANT OF THE ROOM OR AREA SHALL BE INSTALLED AT A MINIMUM OF 36" C/L, TO A MAXIMUM OF 48" C/L FROM THE FINISHED FLOOR.
- ELECTRICAL DRAWINGS ARE DIAGRAMMATIC AND ALTHOUGH THE SIZE AND LOCATIONS OF EQUIPMENT IS SHOWN TO SCALE WHEREVER POSSIBLE, CONTRACTOR SHALL MAKE USE OF MANUFACTURER'S OR OWNER'S DATA AVAILABLE AND/OR VERIFY DATA IN THE FIELD FOR PROVIDING AND INSTALLING CORRECT CABLE LENGTHS.
- ALL EQUIPMENT MUST BE LISTED, LABELED, OR CERTIFIED BY A NATIONAL RECOGNIZED TESTING LABORATORY (NRTL) [CAN 3-110-2].
- ELECTRICAL CONTRACTOR SHALL COORDINATE WITH ALL TRADES TO KEEP ELECTRICAL ROOMS EXCLUSIVELY DEDICATED TO PANELBOARDS, SIGNAL AND OTHER ELECTRICAL EQUIPMENT. NO PLUMBING, PIPING OR MECHANICAL DUCTS SHALL RUN OVER ELECTRICAL PANEL OR OTHER ELECTRICAL EQUIPMENT PER N.E.C. 384-4.
- WHENEVER STAINLESS STEEL IS USED, EXPOSED SCREWS, BOLTS AND OTHER ATTACHMENTS MUST BE STAINLESS STEEL.

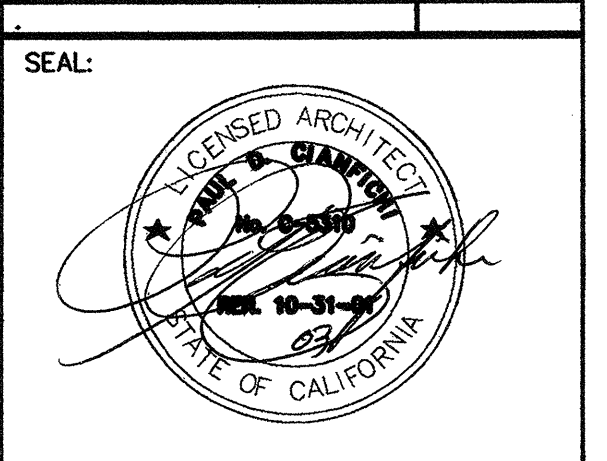
SYMBOL LIST

- FLUORESCENT LIGHT FIXTURE - SEE FIXTURE SCHEDULE
- FLUORESCENT, INCANDESCENT, OR H.I.D. RECESSED DOWNLIGHT - SEE FIXTURE SCHEDULE
- FLUORESCENT SURFACE MOUNTED FIXTURE - SEE FIXTURE SCHEDULE
- FLUORESCENT WALL MOUNTED FIXTURE - SEE FIXTURE SCHEDULE
- ⊕ WALL MOUNTED EXIT LIGHT - SEE FIXTURE SCHEDULE
- S⁰ SPST SWITCH, +48" U.O.N. LETTER DENOTES CIRCUIT CONTROLLED IF APPLICABLE
- S₃ 3-WAY LIGHT SWITCH, +48" U.O.N.
- S_D DIMMER SWITCH, +48" U.O.N.
- ⊕ SM WALL MOUNTED MOTION DETECTOR WALL STOPPER #M-100 +48" U.O.N.
- DUPLEX RECEPTACLE, 20A, 125V, 3W, GROUNDABLE, +18" UNLESS OTHERWISE NOTED AC DENOTES ABOVE COUNTER
- SAFETY DUPLEX RECEPTACLE, 20A, 125V, 3W, +18" UNLESS OTHERWISE NOTED
- GROUND FAULT INTERRUPTER DUPLEX RECEPTACLE, 20A, 125V, 3W, +18" UNLESS OTHERWISE NOTED
- SPECIAL PURPOSE RECEPTACLE, 20A, 250V, 3W, GROUNDABLE, +18" UNLESS OTHERWISE NOTED
- JUNCTION BOX, WALL OR ABOVE CEILING MOUNTED, SIZED PER CODE
- TELEPHONE OUTLET, +18"
- ⊕ 2-WIRE IONIZATION TYPE SMOKE DETECTOR
- ⊕ HEAT DETECTOR, 135° RATE OF RISE U.O.N.
- ⊕ MANUAL FIRE ALARM PULL STATION, +48" U.O.N.
- ⊕ 15 FIRE ALARM MINI HORN/STROBE, +80" A.F.F., CANDELLA AS NOTED (15 CD MIN.)
- ⊕ 15 FIRE ALARM HORN, +80" A.F.F., "WP" DENOTES WEATHERPROOF
- ⊕ 15 WALL MOUNTED STROBE ONLY, +80" A.F.F. U.O.N., CANDELLA AS NOTED (15 CD MIN.)
- ELECTRICAL PANELBOARD
- ELECTRICAL TRANSFORMER
- EXISTING CIRCUITRY
- CIRCUITRY RUN CONCEALED IN WALL OR CEILING
- CIRCUITRY RUN UNDERGROUND OR IN FLOOR SLAB
- HOMERUN TO PANELBOARD OR OTHER TERMINATION POINT
- ANY BRANCH CIRCUIT CONDUIT SHALL BE MINIMUM 1/2" - 2#12 UNLESS OTHERWISE NOTED OR INDICATED. FOR A GREATER NUMBER OF #12 WIRES: (---) = 1/2" - 3#12 ETC. FOR WIRE SIZES OTHER THAN #12: (---) = 3/8" IN CODE SIZE CONDUIT ETC. PROVIDE GREEN GROUND WIRE IN ALL RECEPTACLE BRANCH CIRCUITS UNLESS NOTED.
- C CONDUIT
- (E) EXISTING
- FA FIRE ALARM
- FACP FIRE ALARM CONTROL PANEL
- G, GND GROUND
- MT 3/4" EMPTY CONDUIT WITH PULL CORD
- (N) NEW
- PB PULL BOX - SIZED PER CODE
- U.O.N. UNLESS OTHERWISE NOTED
- WP WEATHERPROOF
- AFF ABOVE FINISHED FLOOR
- ① SHEET NOTE
- ② FIXTURE TAG - NUMBER INDICATES FIXTURE TYPE, NUMBERS INDICATE QUANTITY/WATTAGE OF LAMPS
- ⊕ CEILING MOUNTED MOTION DETECTOR, WALL STOPPER #M500A WITH POWER PACK
- ⊕ PLUGMOLD SURFACE MOUNTED TO WALL ABOVE COUNTER
- TELEPHONE SYSTEM CONDUIT BETWEEN OUTLETS - 3/4" C.
- TELEPHONE SYSTEM CONDUIT STUBBED INTO ACCESSIBLE CEILING SPACE OF CORRIDOR 12/12A - 1" C.
- DATA SYSTEM CONDUIT BETWEEN OUTLETS - 1" C.
- DATA SYSTEM CONDUIT STUBBED INTO ACCESSIBLE CEILING SPACE OF CORRIDOR 12/12A - 1" C.
- TWO COMPARTMENT IN-FLOOR DUCT WITH INSERTS AT 24" O.C. STEEL CITY 202 SERIES. PROVIDE 202-JB AT ALL INTERSECTIONS
- TWO CELL VERTICAL RISER ELBOW FLUSH IN WALL STEEL CITY 202-VEL SERIES
- ⊕ MICROPHONE OUTLET JUNCTION BOX FLUSH IN CEILING
- ⊕ MICROPHONE OUTLET JUNCTION BOX FLUSH IN WALL, +18"
- ⊕ P PROJECTOR CONTROL JUNCTION BOX FLUSH IN CEILING (2)4"x4"x4"
- ⊕ P PROJECTOR CONTROL JUNCTION BOX FLUSH IN WALL, +18" (2)4"x4"x4"
- MICROPHONE CONDUIT WITH PULL WIRE - 3/4" C
- PROJECTOR CONTROL CONDUIT WITH PULL WIRE - 2" C (1 EACH PER BOX)
- TELEPHONE OUTLET, +18" AFF - "WM" DENOTES WALL MOUNTED +48"
- DATA OUTLET, +18" AFF

REVISIONS: (Δ INDICATES CHANGE MADE TO THE SHEET)

NO.	DATE	REASON	BY
18	03/17/03	CR #19	FER
19	05/20/03	CR #20	FER

ISSUE FOR PROGRESS REVIEW



CONSULTANT:
WHM INCORPORATED
Engineering Consultants
1605 School Street
Moraga, CA 94556
Tel: (925) 576-2902 • Fax: (925) 576-2904
cod@whminc.com
0022A

ARCHITECT:
C I A N F I C H I
ARCHITECTURE • PLANNING
30 ANNE COURT
WALNUT CREEK, CA 94598
TEL: (925) 258-8638
FAX: (925) 258-8652

PROJECT:
CHILD DEVELOPMENT CENTER CANADA COLLEGE

4200 FARM HILL BLVD.
REDWOOD CITY, CA 94061

SAN MATEO COUNTY COMMUNITY COLLEGE DISTRICT

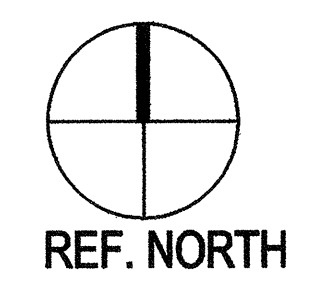
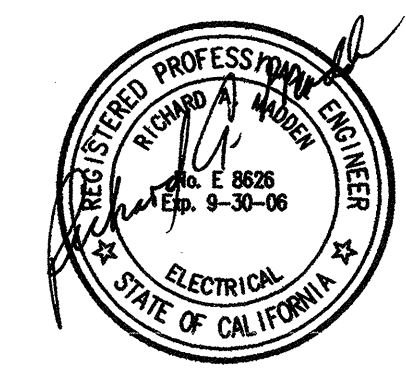
STAMP:
APPROVED
DIV. OF THE STATE ARCHITECT
A049 - FLS ED SS S
APPL No. 103329, DATE 6.16.03

APPL. NUMBER:
KEY PLAN:

SHEET TITLE:
ELECTRICAL SYMBOLS, DETAILS, GENERAL NOTES

DRAWN BY: RMM	PROJECT NO.: 304.99
CHECKED BY: FER	DATE: 03-14-03
APPL. NO.:	SHEET: E-02r
DATA NO.:	NO. OF:

AS-BUILTS



U
T
S
R
Q
N
M
L
K
J
H
G
F
E
D
C
B
A

20 19 18 17 16 15 14 13 12 11 10 9 8 7 6 5 4 3 2 1