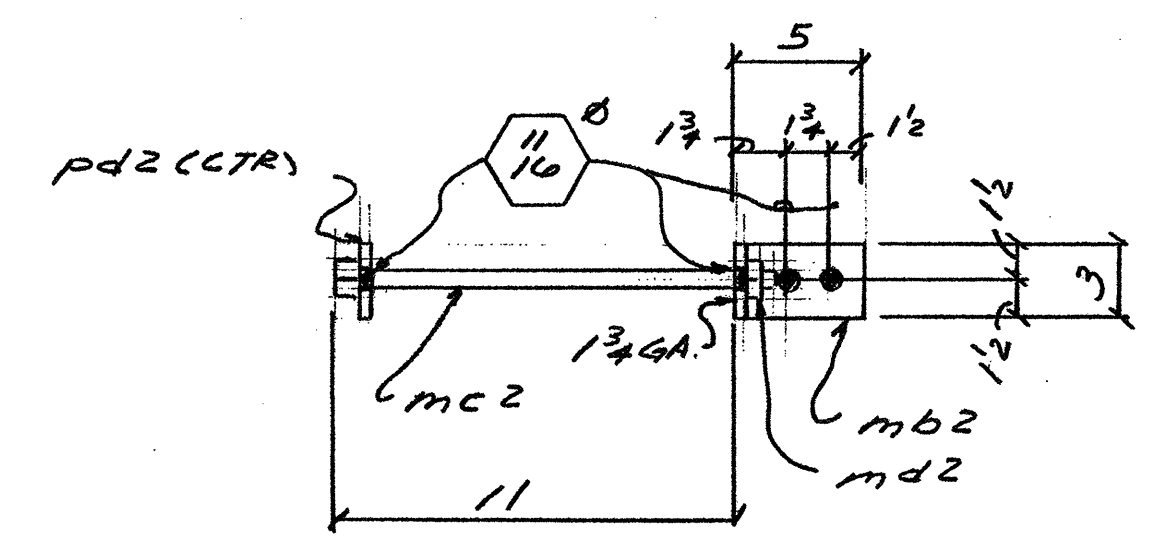
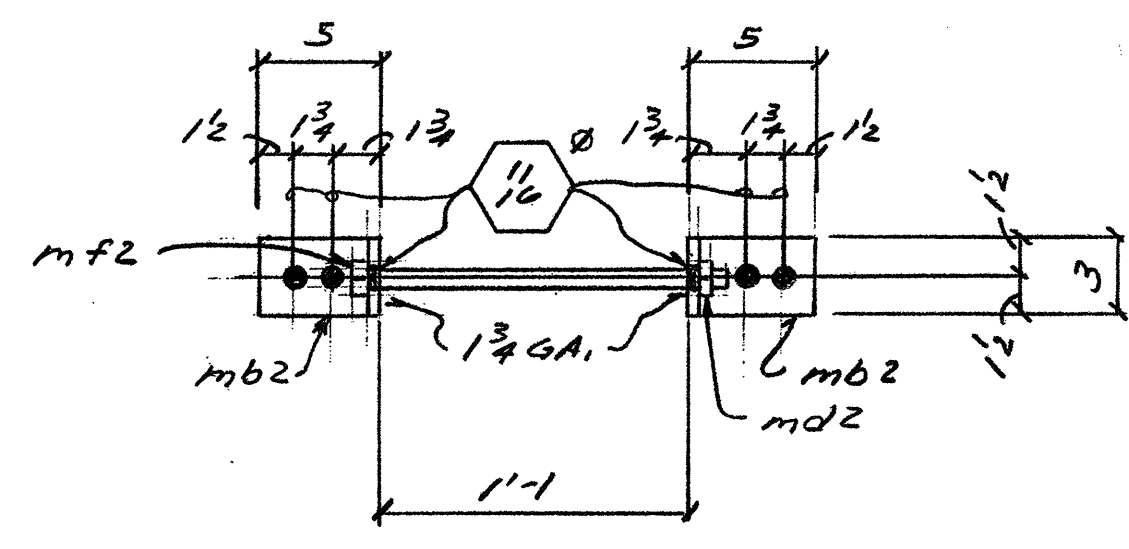


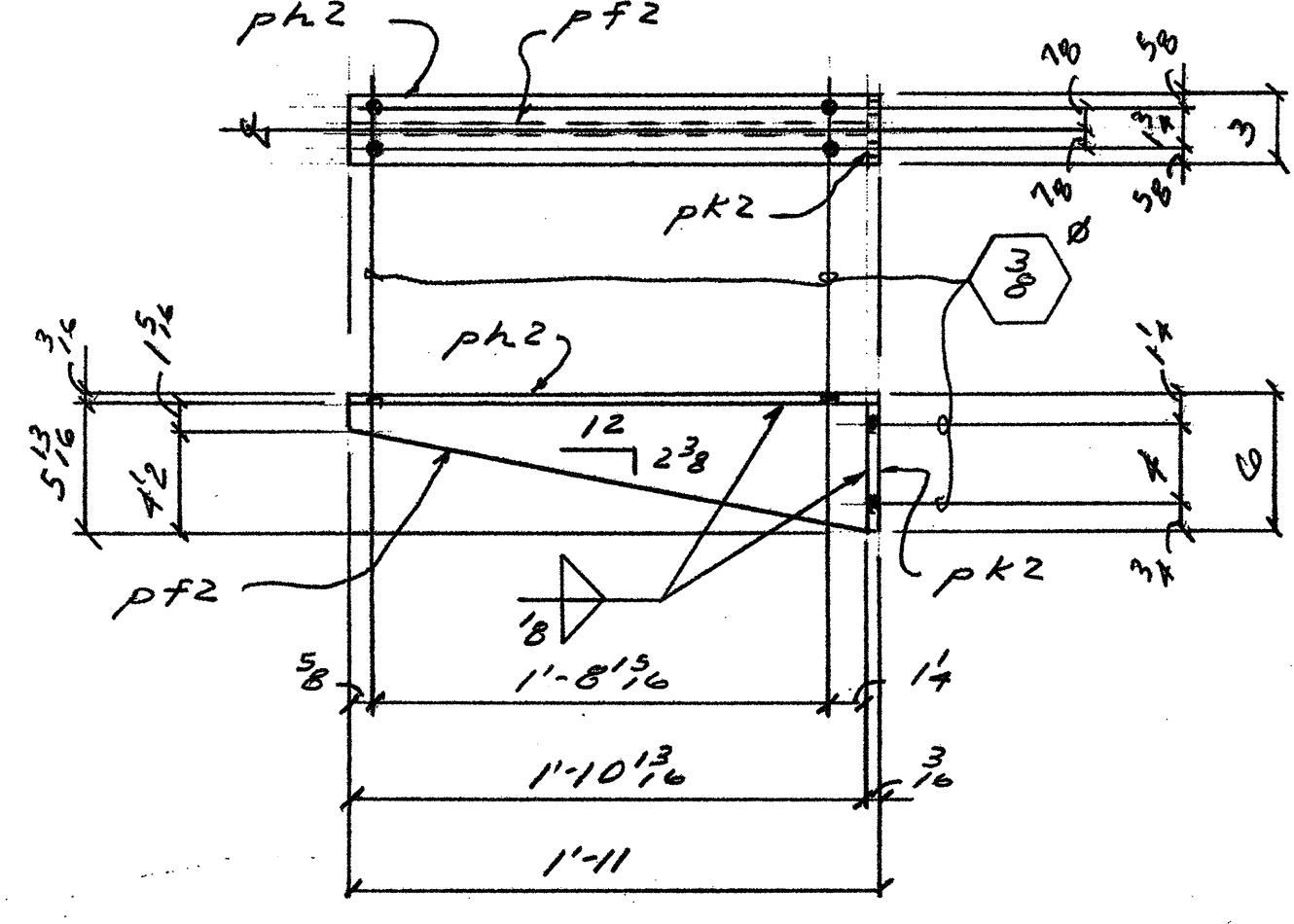
4- WALL SUPPORTS - MK B2 (3'-6" INTERIOR WALL)  
 10- WALL SUPPORTS - MK C2 (3'-2" INTERIOR WALLS)  
 14- WALL SUPPORTS - MK D2 (2'-10" WINDOW SILL - EXT. WALLS)  
 (REF. SEC. 5/53.2a, 16A/16.2a & ELEV. 204 & 202/17.0a)  
 (56) 5/8" A307 x 0.3 W/M.I.W.  
 F.O.B. JOBSITE



31- ROOF CONN. - MK F2  
 (REF. SEC. 6/51.7a & 3/53.2a)  
 (56) 5/8" A307 x 0.3 W/M.I.W.  
 F.O.B. JOBSITE



12- ROOF CONN. - MK H2  
 (REF. SEC. 2/53.1)  
 (32) 5/8" A307 x 0.3 W/M.I.W.  
 F.O.B.



16- COUNTER BRACKETS - MK K2  
 (REF. SEC. 15A/16.3a)  
 F.O.B. JOBSITE

BILL OF MATERIAL						
SHIP MARK	PC MARK	QUAN.	DESCRIPTION	LENGTH FT.	IN.	REMARKS
A2		ONE	754x4x4	8	5 3/8	
pa1		ONE	1/2" x 12	1	0	
pc1		ONE	1/2" x 3 1/2	0	3 1/2	BRACKET TO COLUMN
pa2		ONE	87/16 x 9 3/4	1	10 1/2	
pb2		ONE	du x 9 3/4	1	10 1/2	
pc2		ONE	du x 11 3/4	1	10 1/2	
B2		4	L-3x3x4	3	9 3/4	
C2		10	do	3	5 1/4	
D2		14	do	3	3 1/2	
ma2		28	#4 REBAR	1	0	A706
F2		31	ROOF CONN.			
pd2		31	1/2" x 3	0	3	
mb2		31	L-5 x 3 x 5/16	0	3	
mc2		31	5/8" A307	1	0	
md2		31	5/8" NUT			
H2		12	ROOF CONN.			
mf2		24	x			
mb2		12	NUT			
md2		12	5/8" A307	1	2 1/4	
K2		16	COUNT. BRACKETS			
pf2		16	1/2" x 5 1/2	1	10 1/2	BEV.
pk2		16	1/2" x 3	1	11	
pa2		16	do	0	5 1/2	
TUBING - ASTM A500, GRADE B						
STEEL SHIMS & PLATE - ASTM A36						
FIELD BOLTS						
BALV		6	5/8" A307	0	7	W/M.I.W.
		166	5/8" A307	0	3	
		166	5/8" M.I.W.			
		64	5/8" LAG	0	13 1/4	
		64	L	0	3	

REV. NO.	DESCRIPTION	DATE	BY
A	FOR APPROVAL	3/7/02	
O	RELEASE COL. A2 FOR FAB	5/30/02	JF
I	RELEASE B2, C2, D2, F2, H2+K2 FOR FAB	6/11/02	JF
	Updated BOM. TO MATCH PIG.	6-11-02	

AS-BUILTS

**NORTH WIND CONTRACTORS**  
 415 E. 10TH STREET  
 PITTSBURG, CA 94565

**CHILD DEVELOPMENT CENTER**  
 REDWOOD CITY, CA

CONTRACTOR: **GONSALVES & STRONER**  
 "COLUMN & MISS."

REFERENCE:  
 DESIGN: 516, 521a & 53.1  
 ERECTION: A.B.I.

REQUIRED	AGENCY	PHONE NO.
YES	NO	1-650
X	D.C.T.	967-6982

SCALE: 1/4" = 1'-0"  
 DATE: 3/4/02  
 CHECKED BY: JNS  
 DATE: 3/4/02

REV. 1  
 DATE: 3/4/02  
 JOB NO: 02-15  
 DRAWING NO: D2