

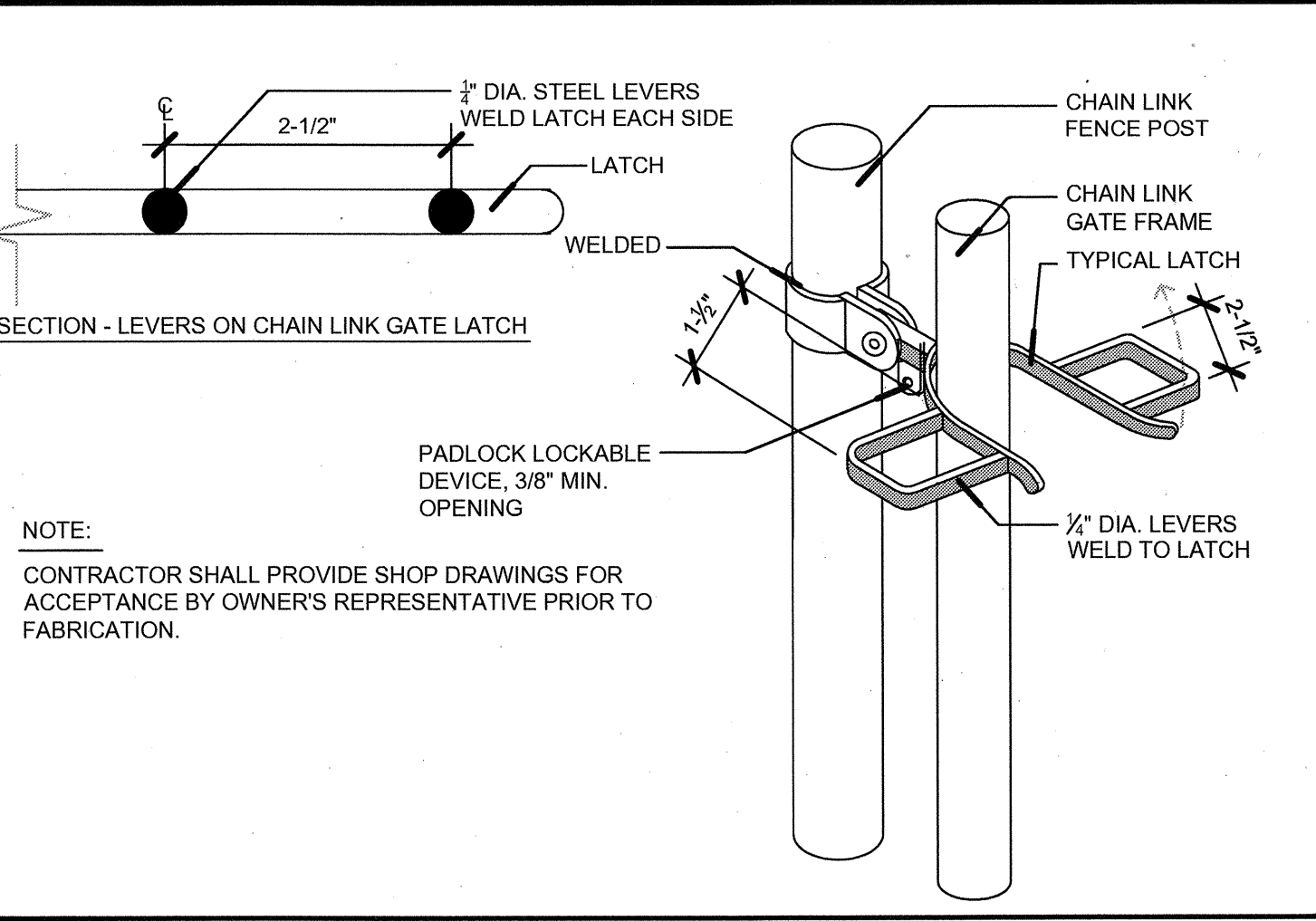
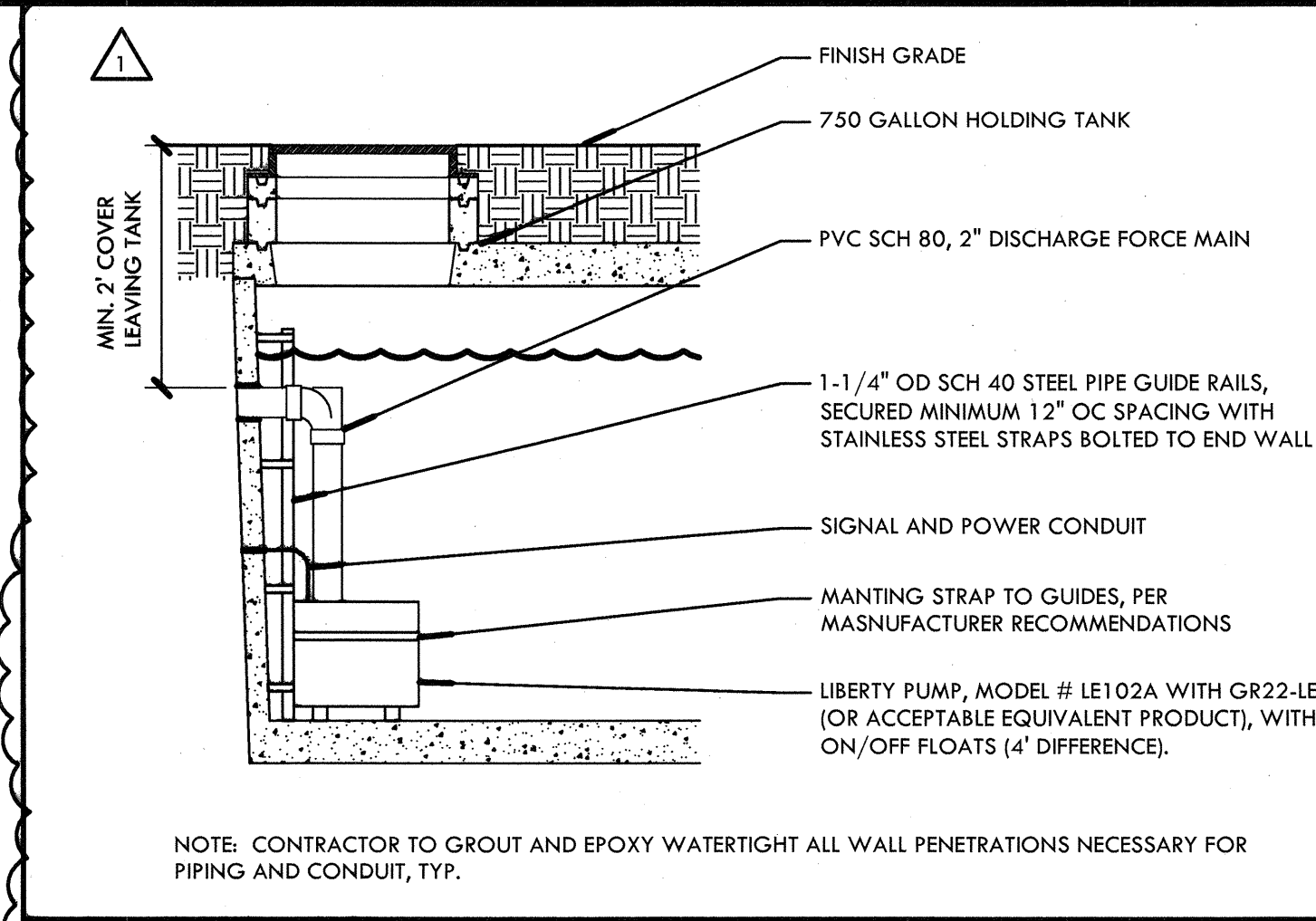
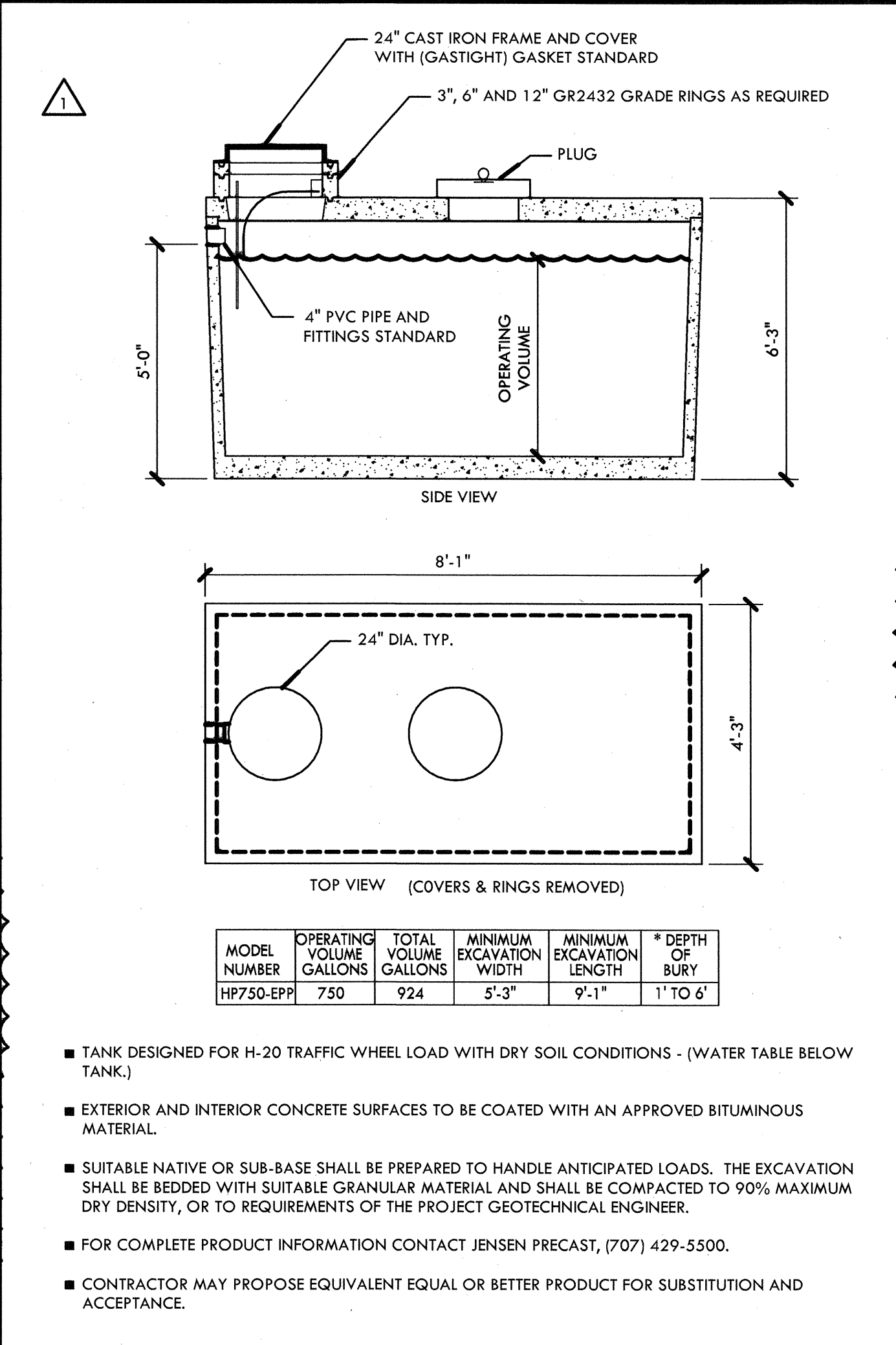
ALL IDEAS, DESIGNS, ARRANGEMENTS, AND PLANS INDICATED OR REPRESENTED BY THIS DRAWING ARE OWNED BY AND THE PROPERTY OF VERDE DESIGN, INC. AND WERE CREATED, EVOLVED, AND DEVELOPED FOR USE ON AND IN CONNECTION WITH THE SPECIFIED PROJECT. NONE OF SUCH IDEAS, DESIGNS, ARRANGEMENTS OR PLANS SHALL BE USED, REPRODUCED, OR PUBLISHED BY ANY METHOD, IN WHOLE OR IN PART, OR DISCLOSED TO ANY PERSON, FIRM, OR CORPORATION FOR ANY PURPOSE WHATSOEVER WITHOUT WRITTEN PERMISSION OF VERDE DESIGN, INC.

NOT USED

NOT USED

NOT USED

NOT USED



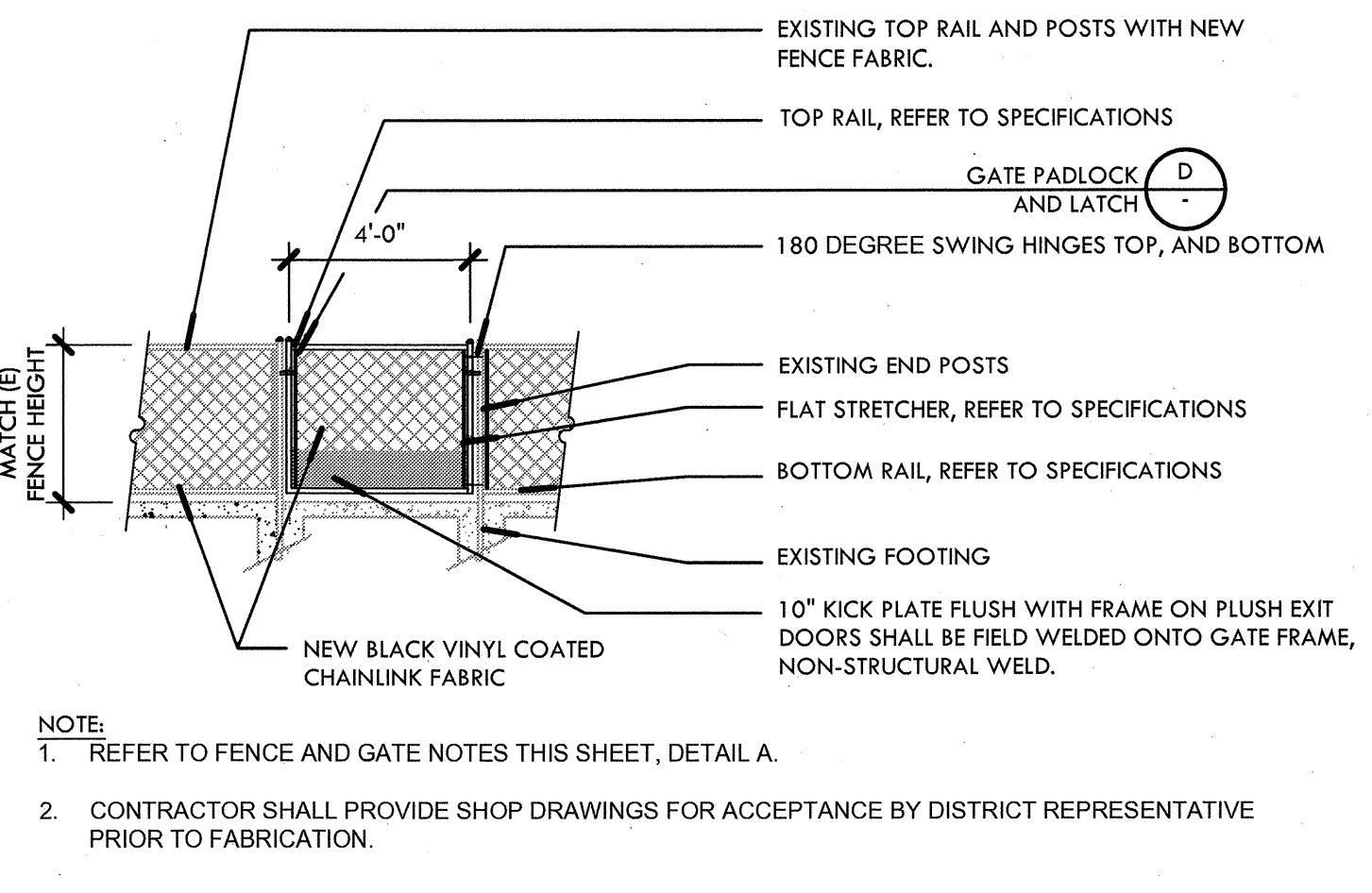
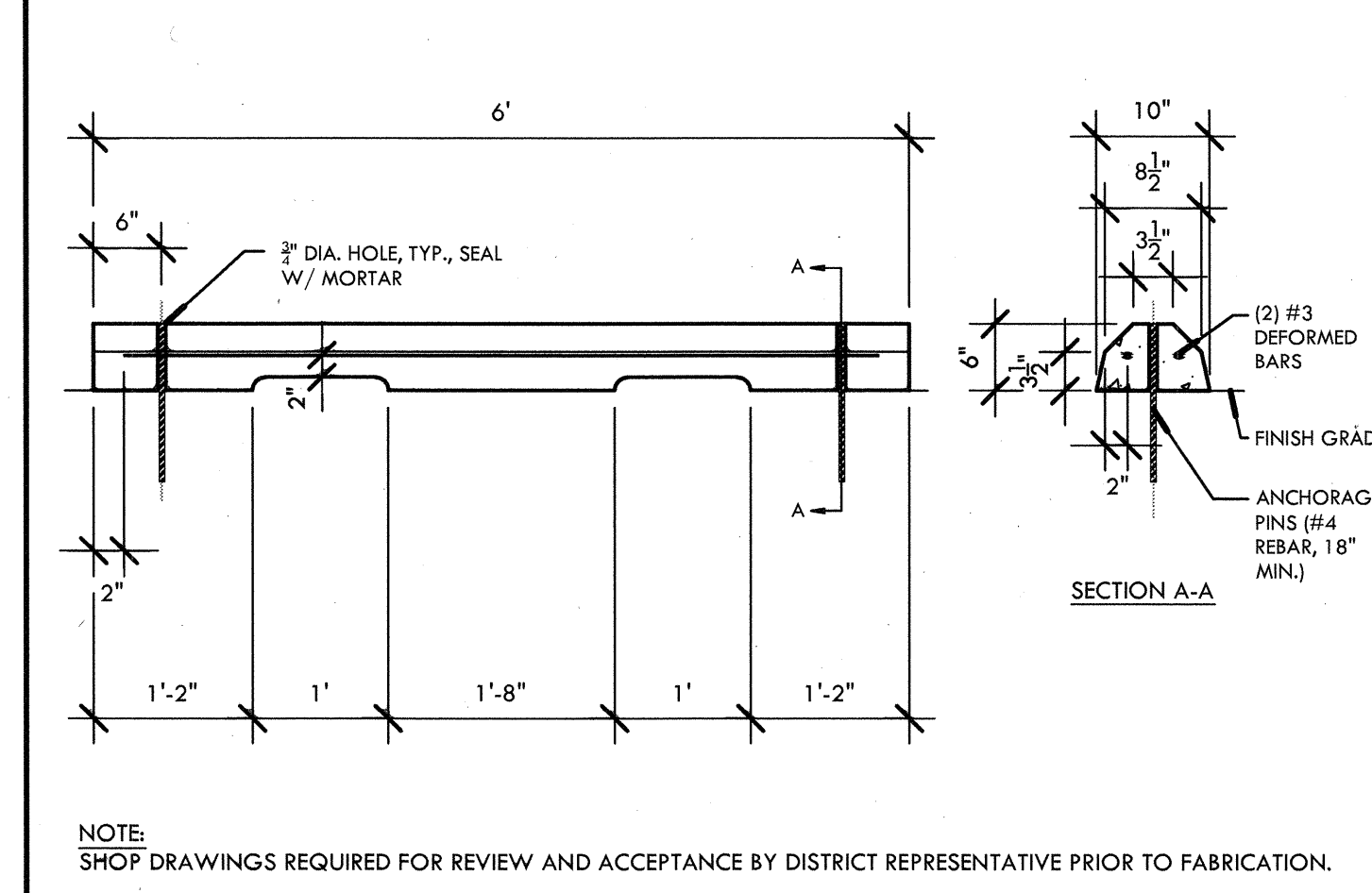
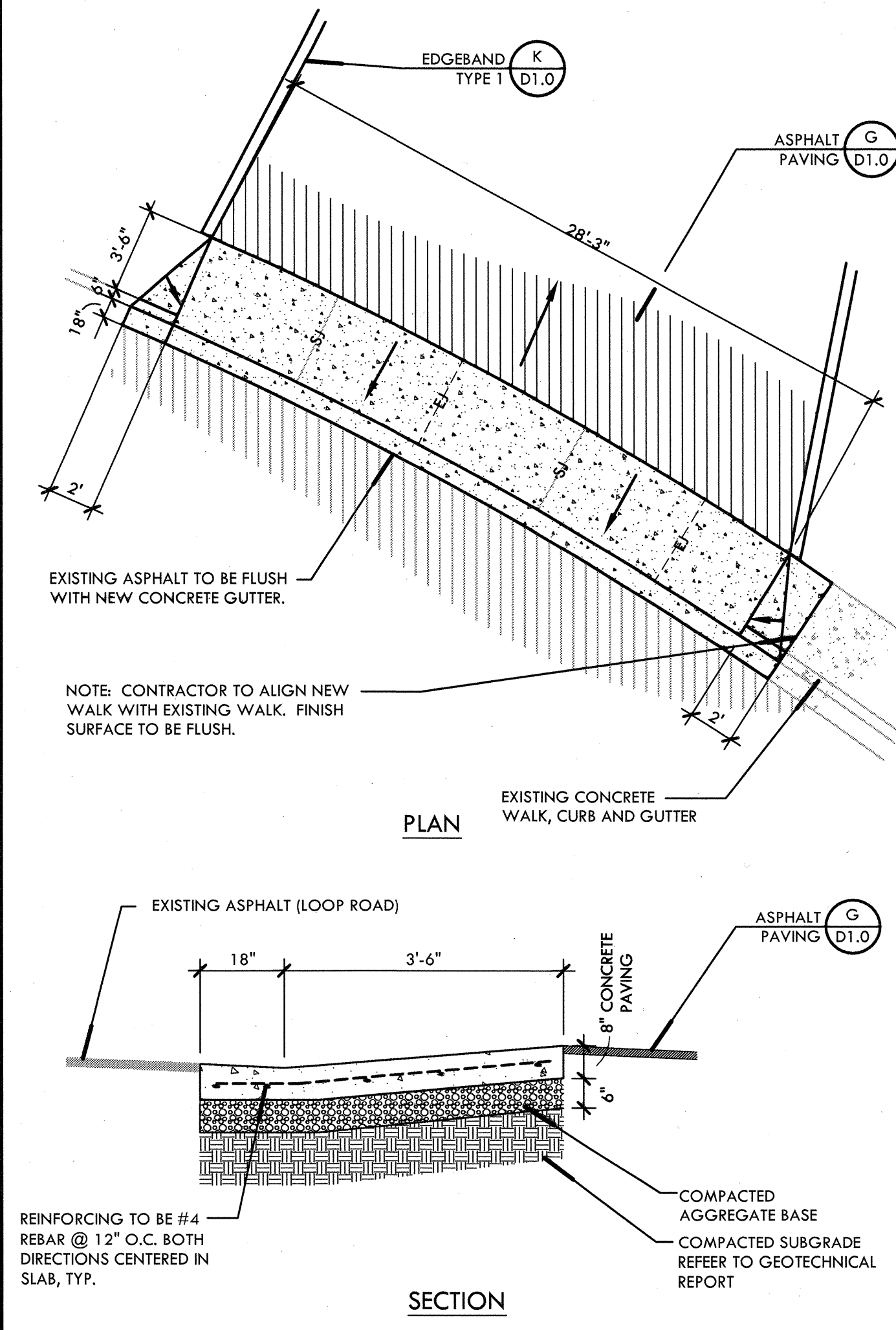
H PUMP ASSEMBLY NTS

D GATE PADLOCK AND LATCH NTS

J HOLDING TANK NTS

G ADA SIGNS NTS

C GATE - TYPE 2 NTS



F PRECAST CONCRETE WHEEL STOP NTS

B GATE - TYPE 1 NTS

I CONCRETE DRIVEWAY APRON NTS

E ADA PARKING STALL NTS

A FENCE AND GATE NOTES NTS

DRAWING NAME: F:\Projects\2012\1207300-1281 - Canada College Tennis\CAD\122.dwg
PLOT DATE: 09-24-12 PLOTTED BY: station31

VERDE DESIGN
LANDSCAPE ARCHITECTURE
CIVIL ENGINEERING
SPORT PLANNING & DESIGN

2455 The Alameda
San Jose, CA 95030
tel: 408.985.7260
fax: 408.985.7260
www.VerdeDesign.com

STAMP

CONSULTANT

SHEET TITLE

CONSTRUCTION DETAILS

PROJECT NAME

**CANADA COLLEGE
TENNIS FACILITY
IMPROVEMENTS**

PROJECT ADDRESS

**4200 FARM HILL BLVD
REDWOOD CITY, CA 94061**

SUBMITTAL	DATE
90% SUBMITTAL	07/30/12
BID SUBMITTAL	08/21/12
CONFORM SET	09/24/12

NO.	REVISIONS	DATE

DRAWN BY: VERDE
CHECKED BY: DC
DATE ISSUED: 08/21/12
SCALE: AS NOTED
PROJ. NO.: 1207300-1281
SHEET NO.: D2.0 OF 39 SHEETS
CONSTRUCTION DETAILS