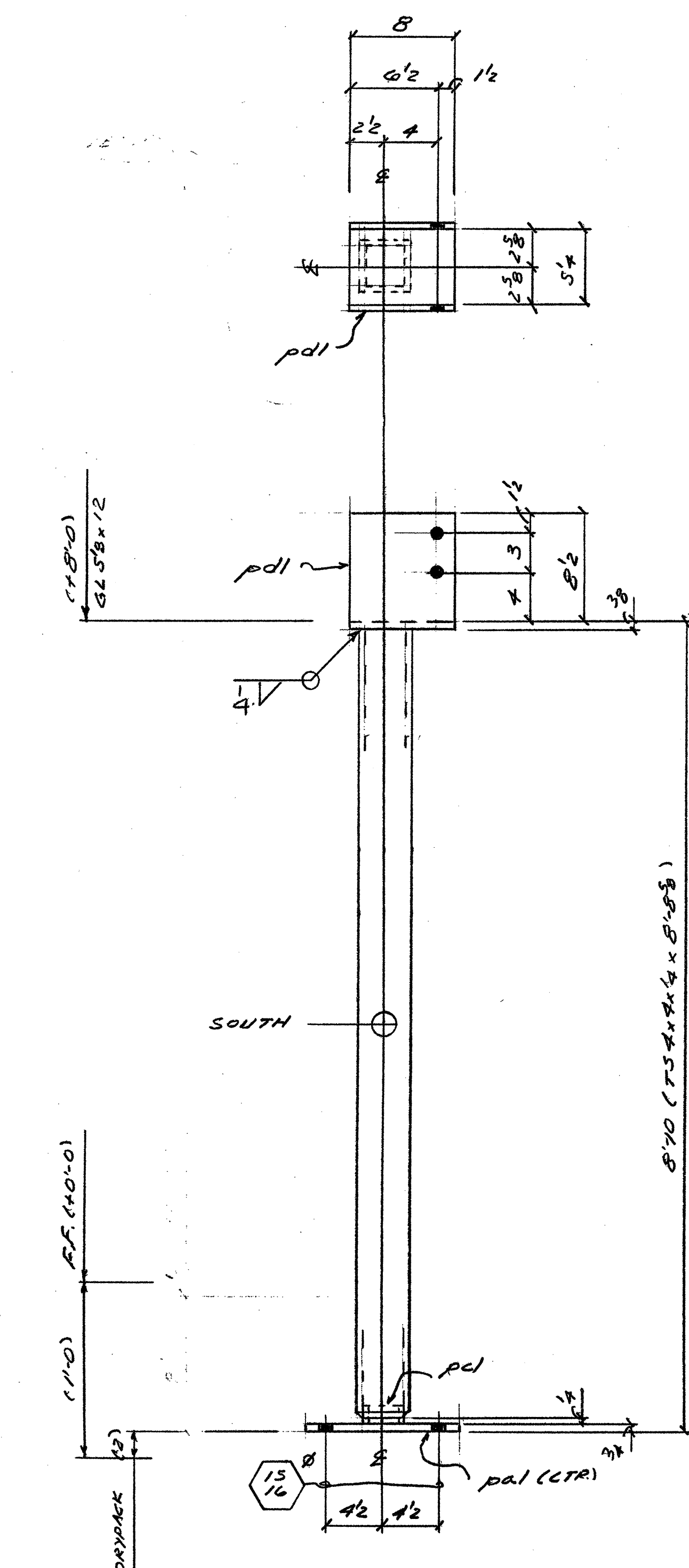
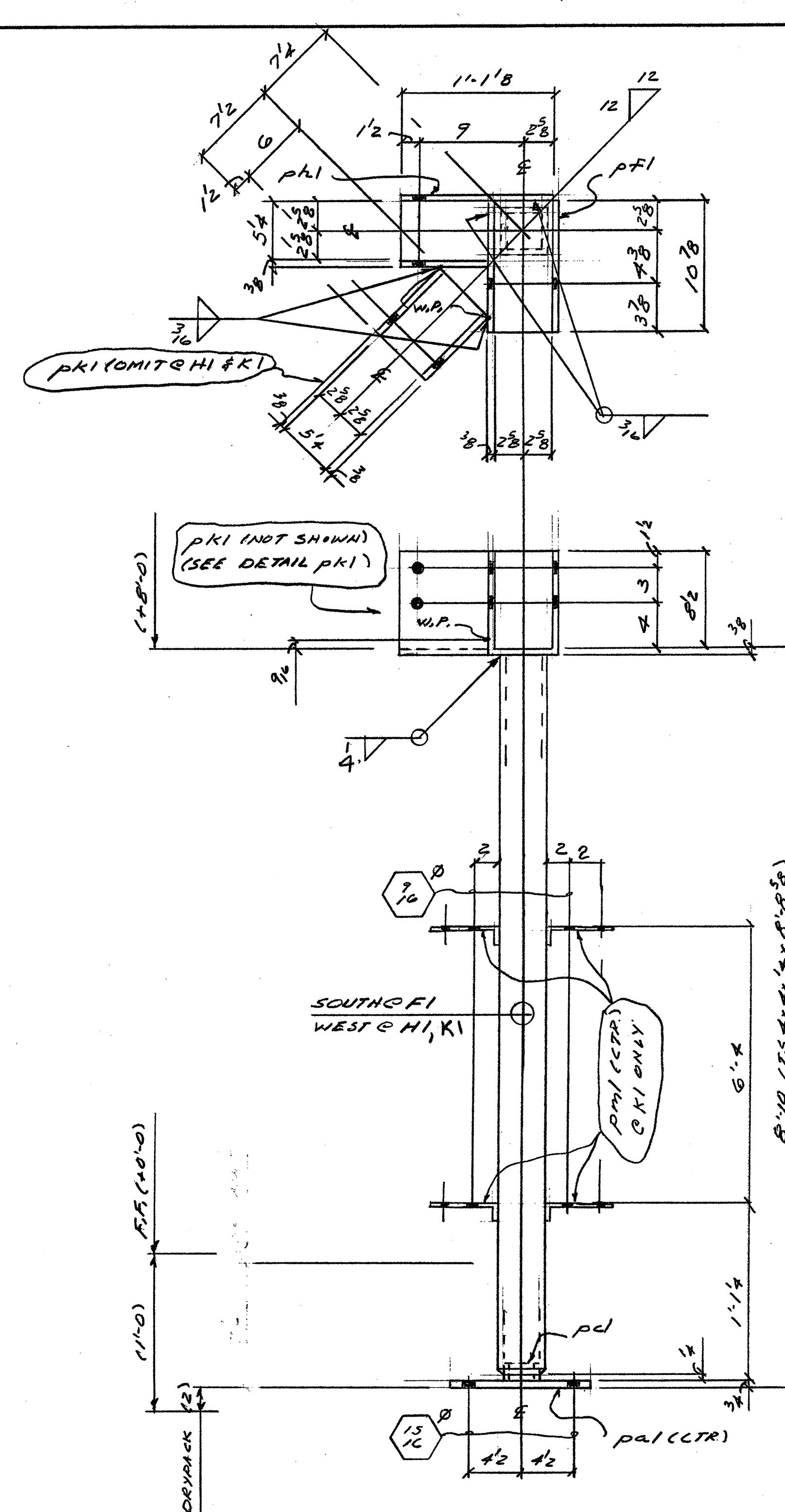
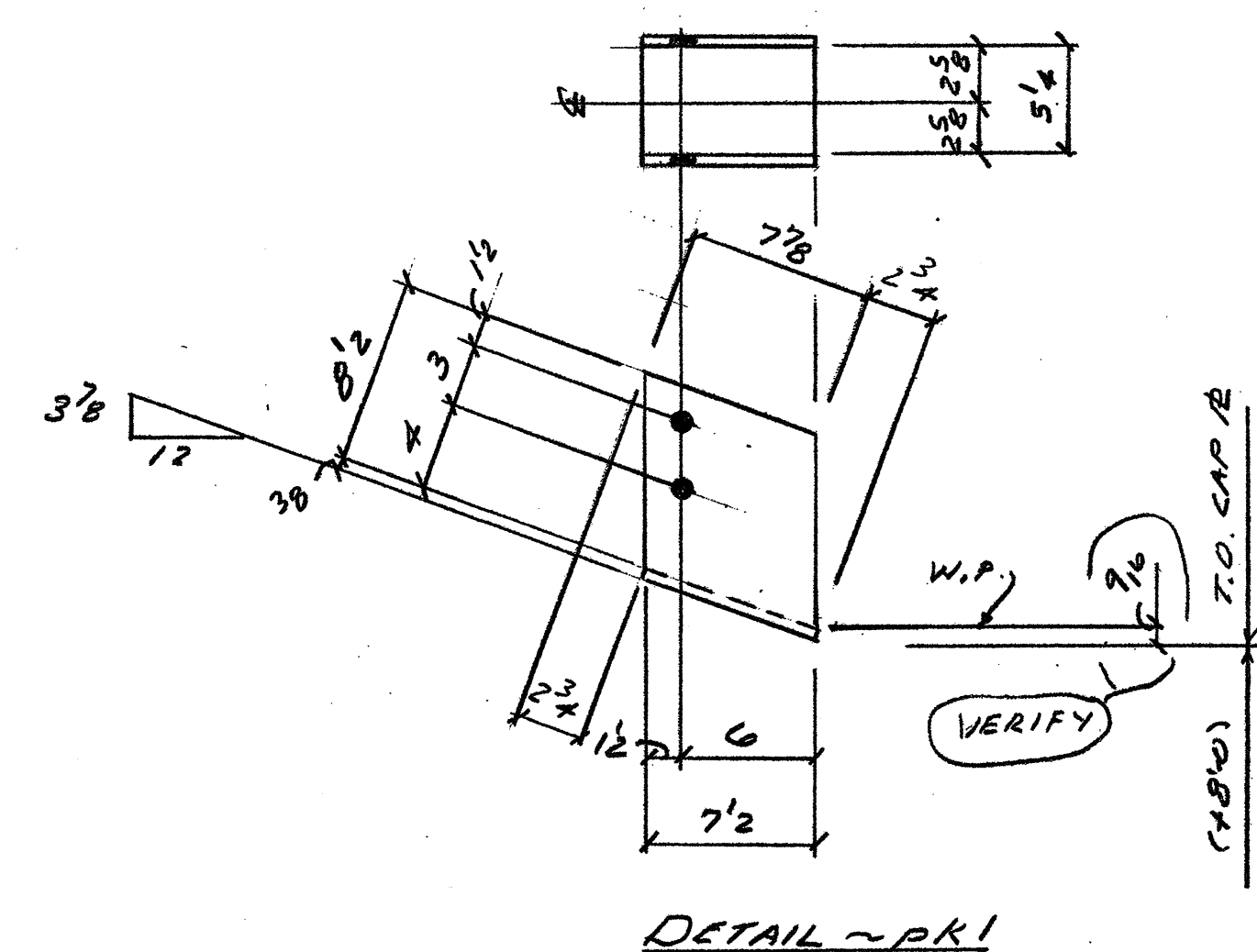


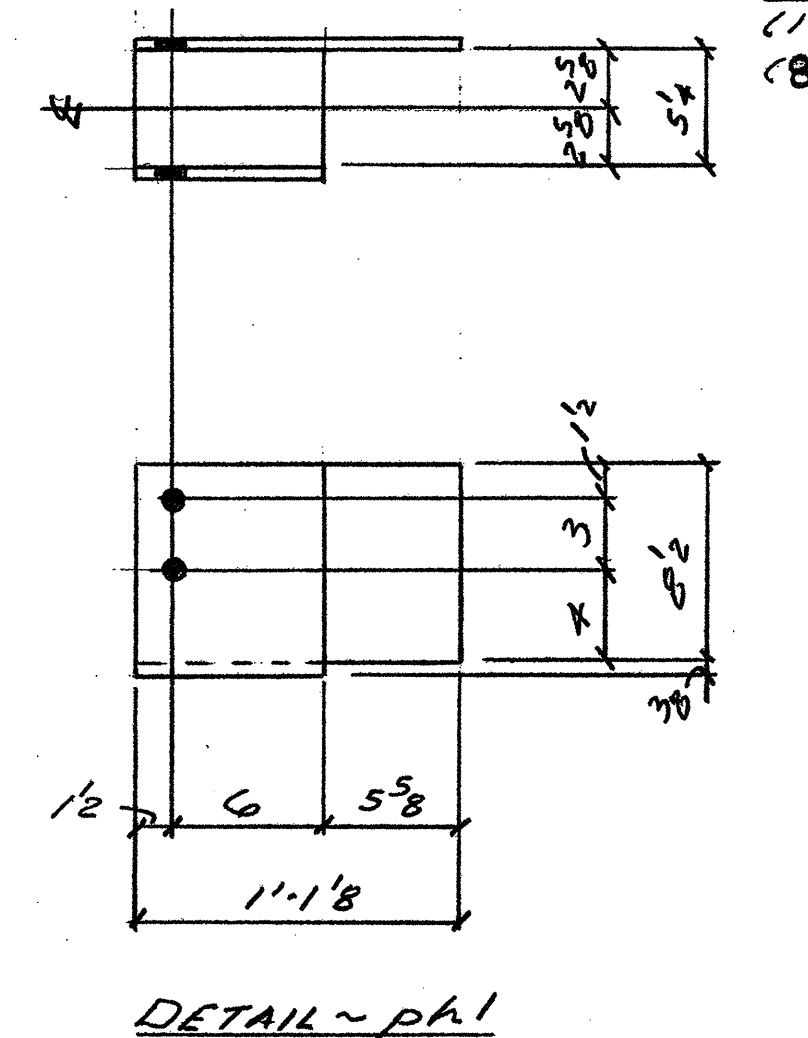
- 8 - COLUMNS - MK A1
- 9 - COLUMNS - MK B1
- 3 - COLUMNS - MK C1
- ONE COLUMN - MK D1
- (EA) 3/4" A307 x 0.7
- (B) 1/2" A307 x 0.22 W/C.W.



ONE COLUMN - MK E1
(2) 3/4" A307 x 0.7



ONE COLUMN - MK K1
ONE COLUMN - MK H1
ONE COLUMN - MK K1
(14) 3/4" A307 x 0.7
(8) 1/2" A307 x 0.22 W/C.W.



AS-BUILTS

Shop NOTE !!
VENT AS NEEDED
REFERENCE:
DESIGN: S16, S2.1a & S3.1
ERECTOR: A.B.I.
WELD INSPECTION
REQUIRED AGENCY PHONE NO.
YES NO 1-650
X D.C.I 967-6982

BILL OF MATERIAL						
SHIP MARK	PC MARK	QUAN	DESCRIPTION	LENGTH FT.	REMARKS	ABC WTS.
A1		8	754x11/4	8 8 3/8		
B1		9		8 8 3/8		
C1		3		8 8 3/8		
D1		ONE	DO	8 8 3/8		
		21	12 3/4 x 12	1 0		
		21	87.12 3/8 x 11	1 10 1/2		
		21	R 3/4 x 3/2	0 3 1/2	BACKING & SHOP FIT	
		4	2 5/8 x 1/4	0 3 1/2		
E1		ONE	754x11/4	8 8 3/8		
		ONE	12		BACKING & SHOP FIT	
		ONE	12			
		ONE	87.12 3/8 x 8	1 10 1/2		
F1		ONE	754x11/4	8 8 3/8		
H1		ONE		8 8 3/8		
K1		ONE	DO	8 8 3/8		
		3	12		BACKING & SHOP FIT	
		3	87.12 3/8 x 10 3/8	1 10 1/2		
		3	x 13 3/8	1 10 1/2		
		ONE	DO x 10 3/8	1 10 1/2		
		3	12			
		4				
TUBING - ASTM A500, GRADE B						
STEEL PLATE - ASTM A36						
FIELD BOLTS						
DALV		100	3/4" A307	0 7	W/N&W	
		10	1/2" A307	0 2 1/2	W/N	
		10	1/2" C.W.			
TOTAL WEIGHT UNLESS OTHERWISE NOTED						
MIN EDGE DISTANCE UNLESS OTHERWISE NOTED						
SHOP PAINT HOT-DIP GALVANIZE						
REV. NO.	DESCRIPTION	DATE	BY			
A	FOR APPROVAL	3/7/02				
O	RELEASE FOR FAB	5/30/02	JF			
NORTH WIND CONTRACTORS 415 E. 10TH STREET PITTSBURG, CA 94565						
CHILD DEVELOPMENT CENTER REDWOOD CITY, CA.						
CONTRACTOR GONSALVES & STRANCK "COLUMNS"						
SCALE:	DRAWN BY: JNS	REV.:	JOB NO: 02-15			
1-650	DATE: 3/4/02	DATE: 3/4/02	DRAWING NO: D1			
APPROVED BY: JNS	CHECKED BY: JNS	DATE: 3/4/02				