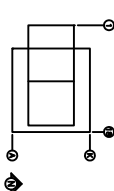


399 BRADY RD
 SAN MATEO, CA 94403
 PHONE: 650.564.6433
 FAX: 650.564.2616

ALVIN W. MANNING
 LICENSED ELECTRICAL ENGINEER
 NO. 10000
 STATE OF CALIFORNIA
 PROJECT NO. 10000

CLIENT
 SAN MATEO COMMUNITY COLLEGE DISTRICT
 PROJECT
 COLLEGE OF SAN MATEO
 THEATER

1700 WEST HILLSDALE
 BOULEVARD
 SAN MATEO, CA
 94402

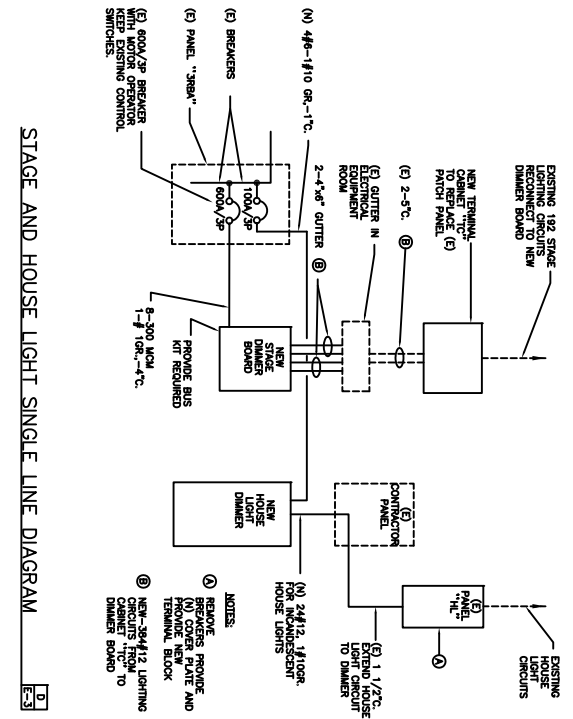


SHEET NAME
ELECTRICAL DIAGRAMS

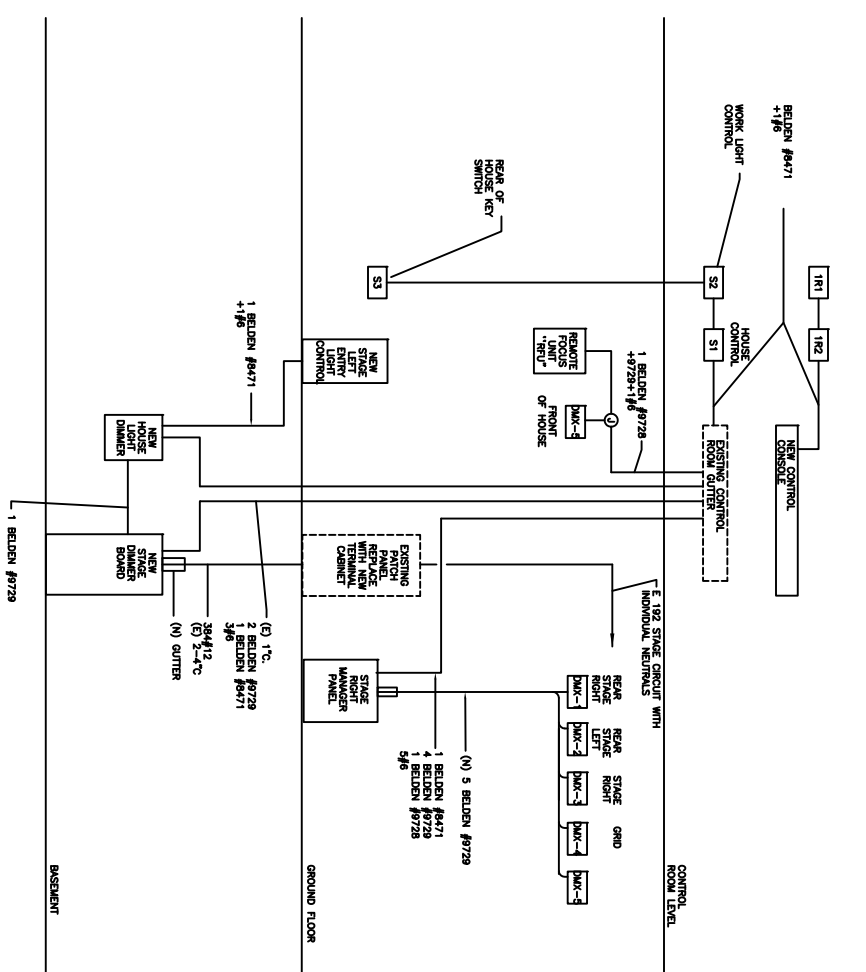
DATES
 02-18-08

CONTRACT #A.L.
 JOB NUMBER 1126.01

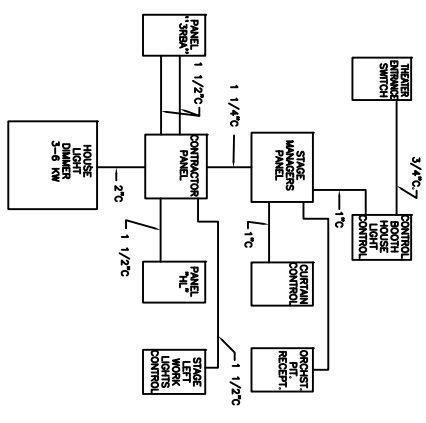
SHEET No.: **AS1-02/**
E-2
 2 OF 3



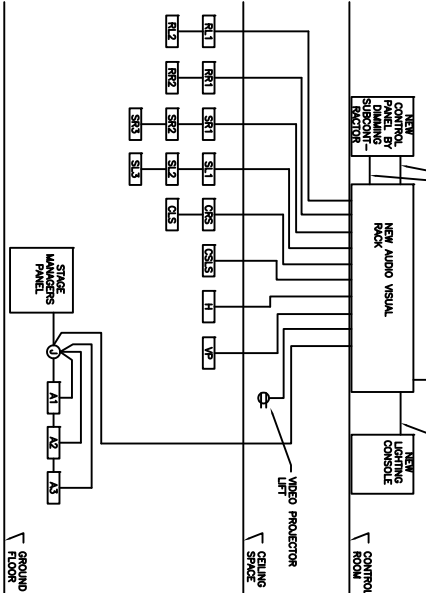
STAGE AND HOUSE LIGHT SINGLE LINE DIAGRAM



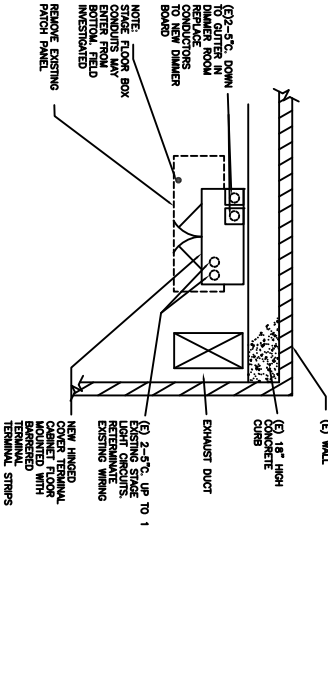
STAGE AND HOUSE LIGHTING CONTROL DIAGRAM



EXISTING HOUSE LIGHT RISER DIAGRAM



AUDIO VISUAL RISER DIAGRAM



DETAIL NOT TO SCALE