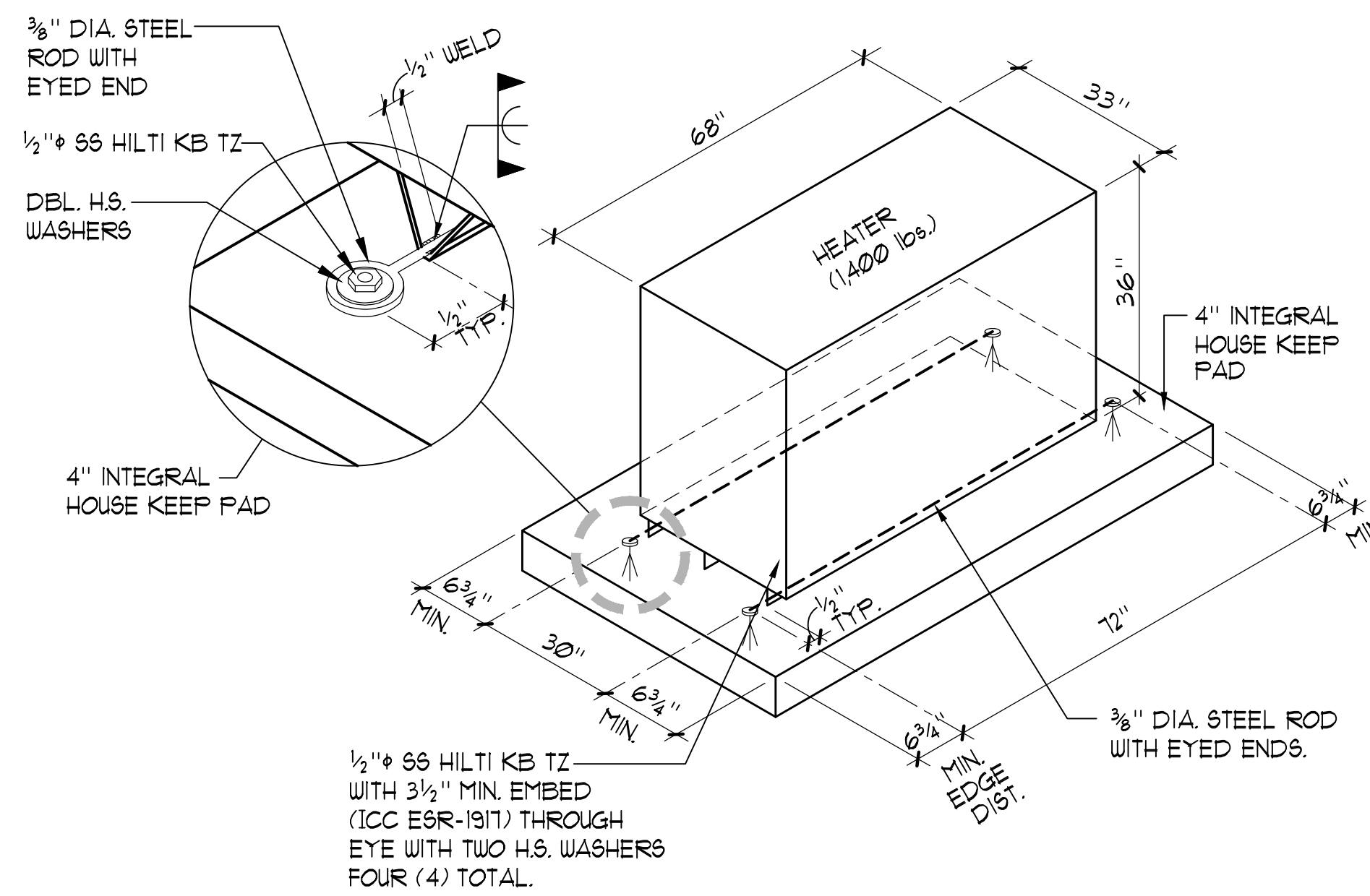
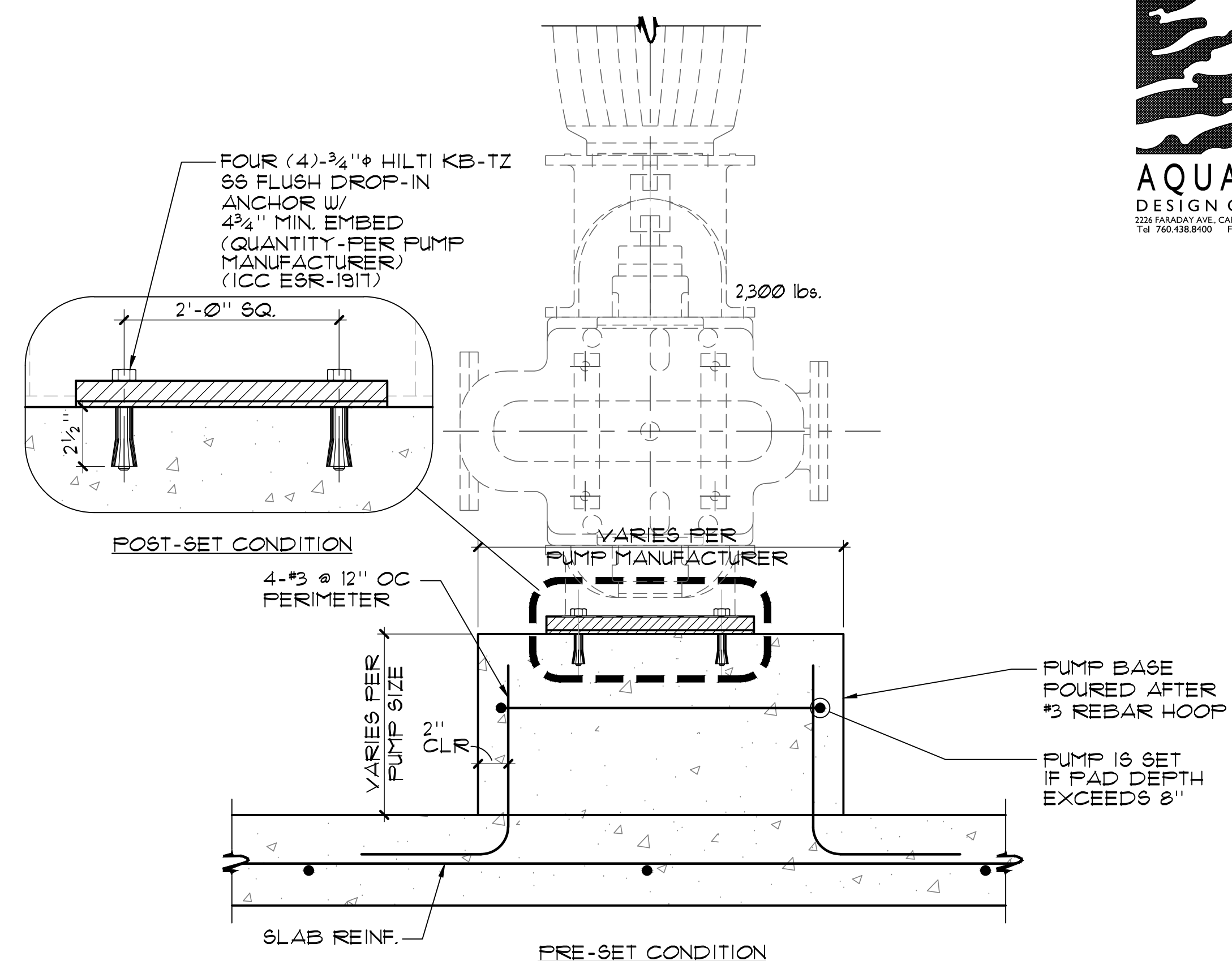


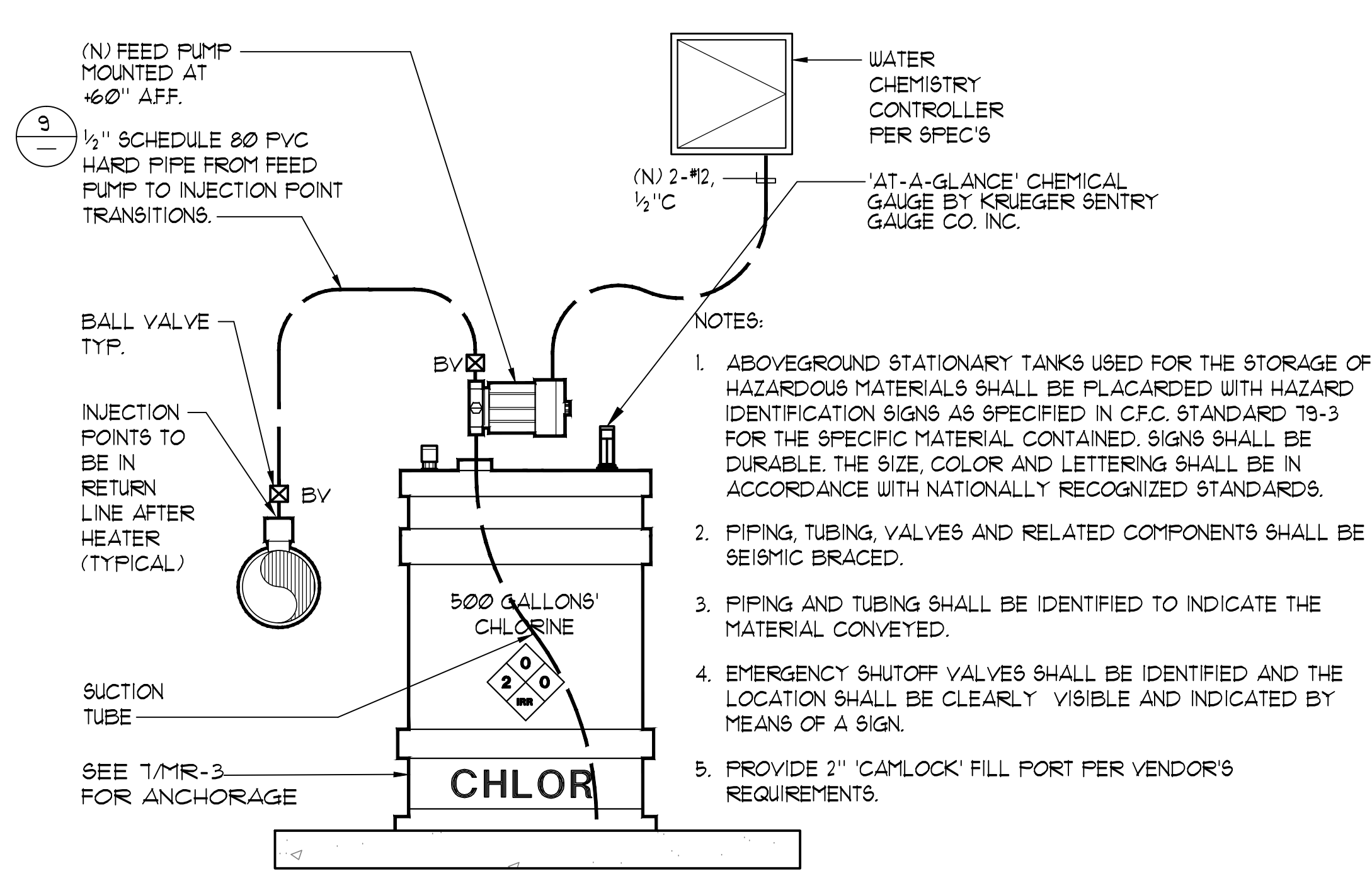
**1 FILTER ANCHORAGE** NO SCALE



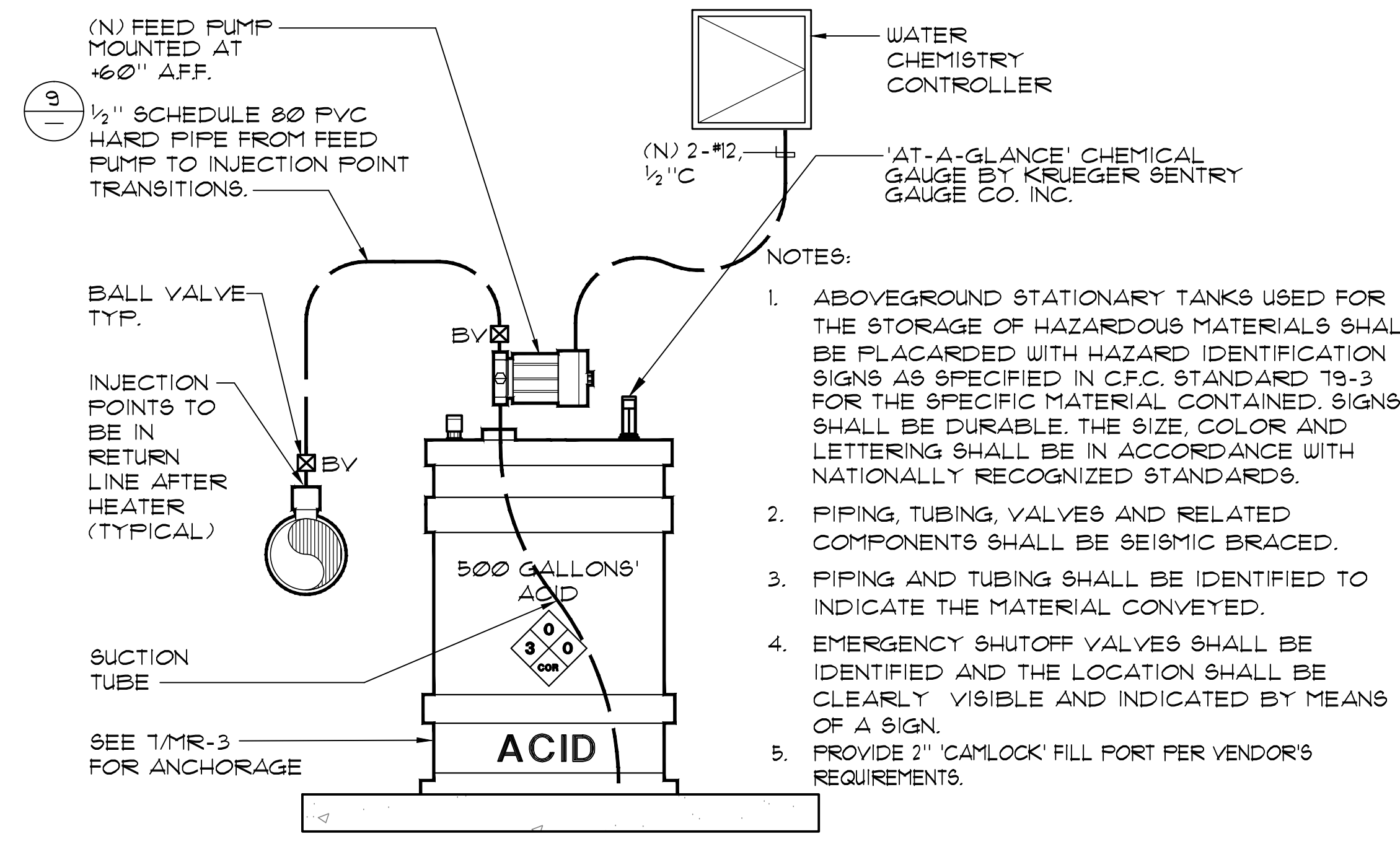
**2 HEATER ANCHORAGE** NO SCALE



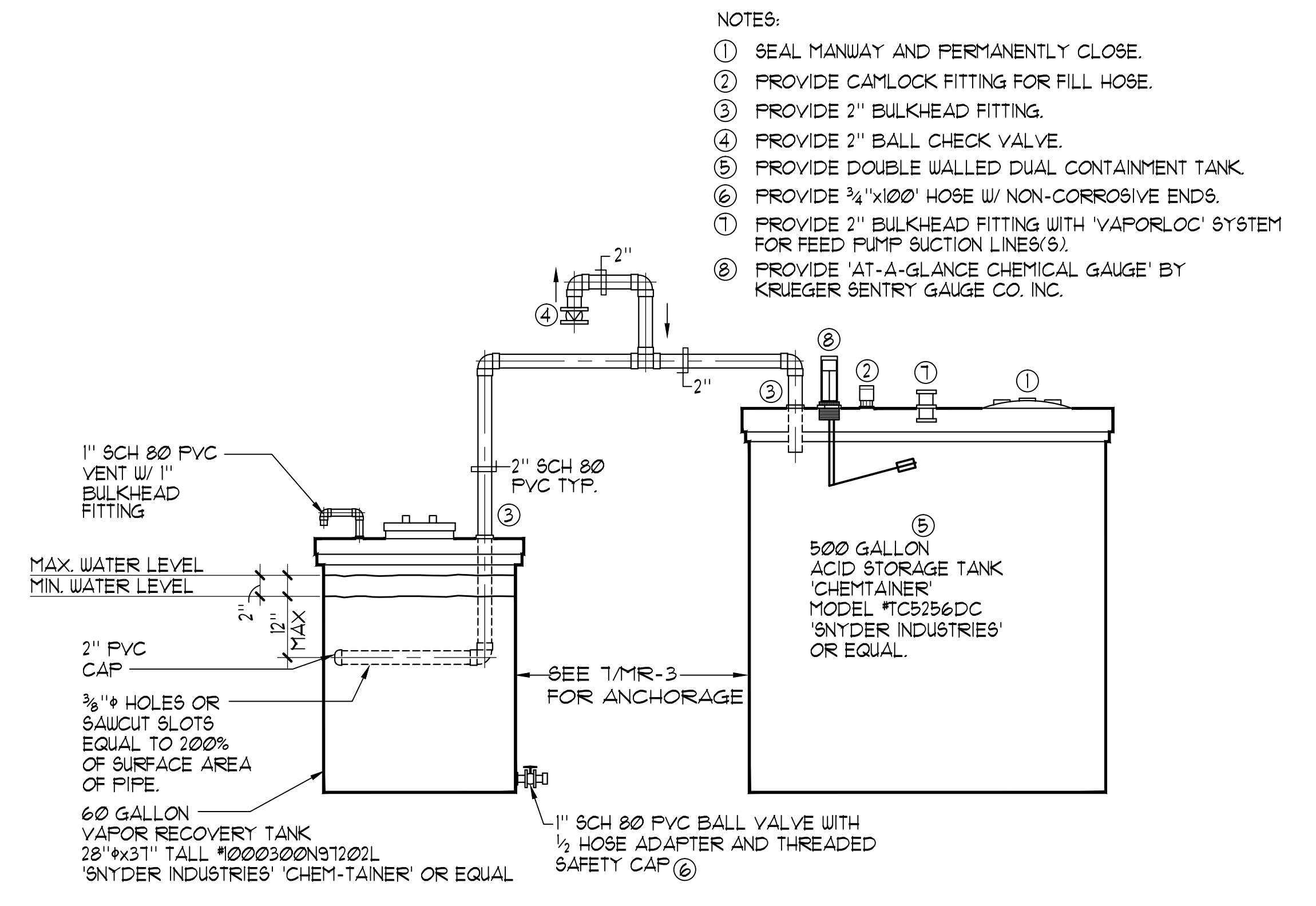
**3 PUMP ANCHORAGE** NO SCALE



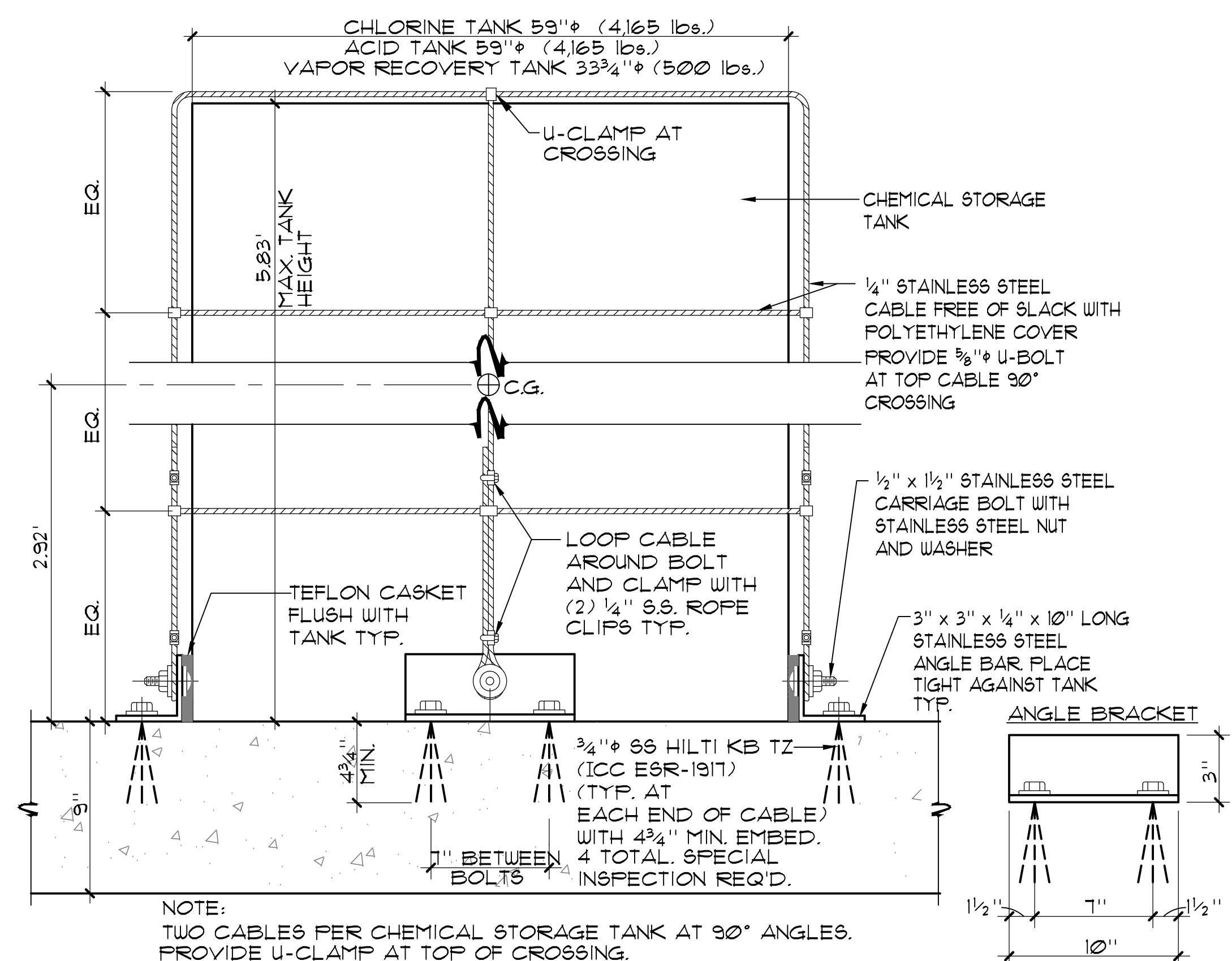
**4 SODIUM HYPOCHLORITE FEED SCHEMATIC** NO SCALE



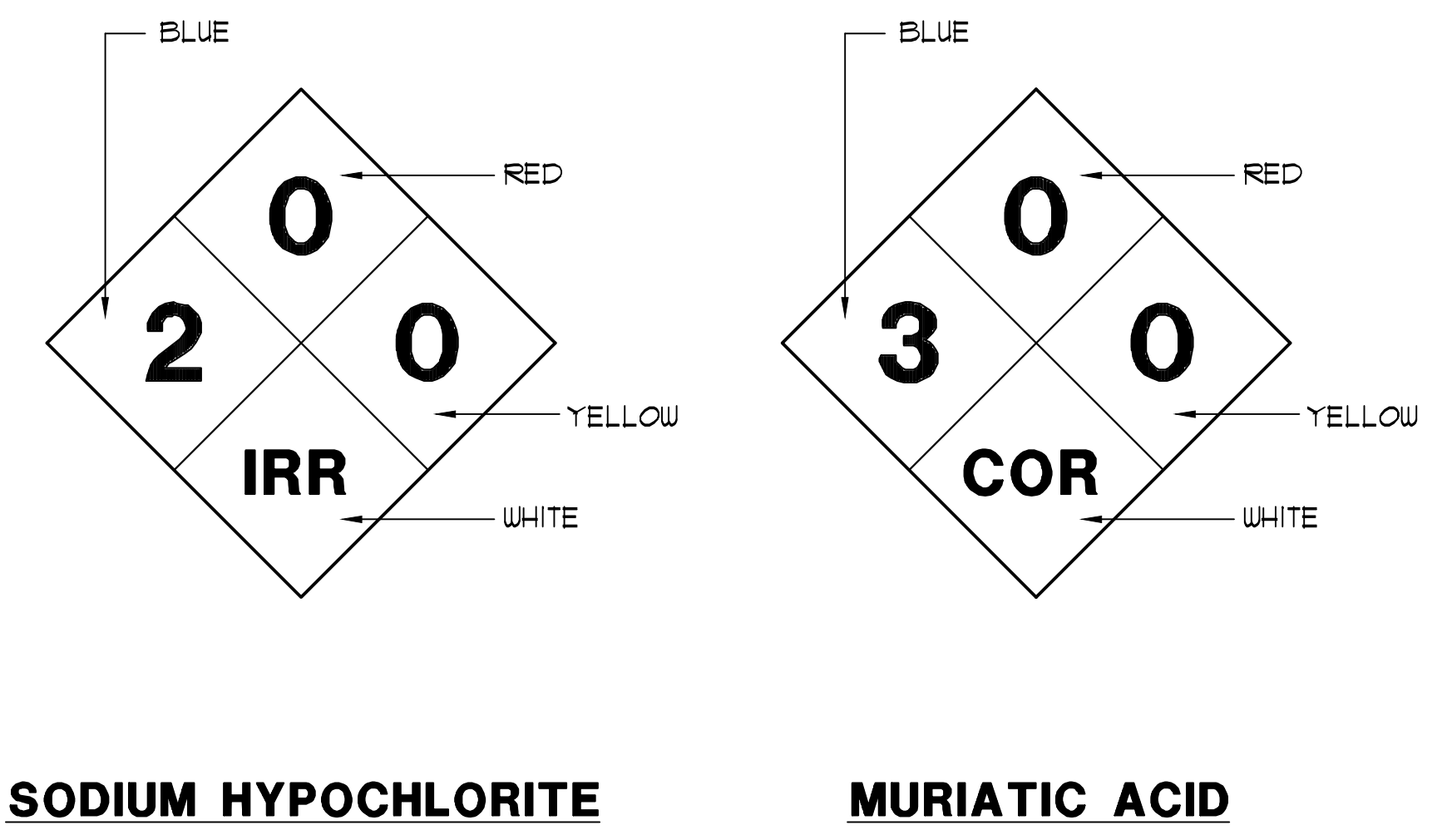
**5 MURIATIC ACID FEED SCHEMATIC** NO SCALE



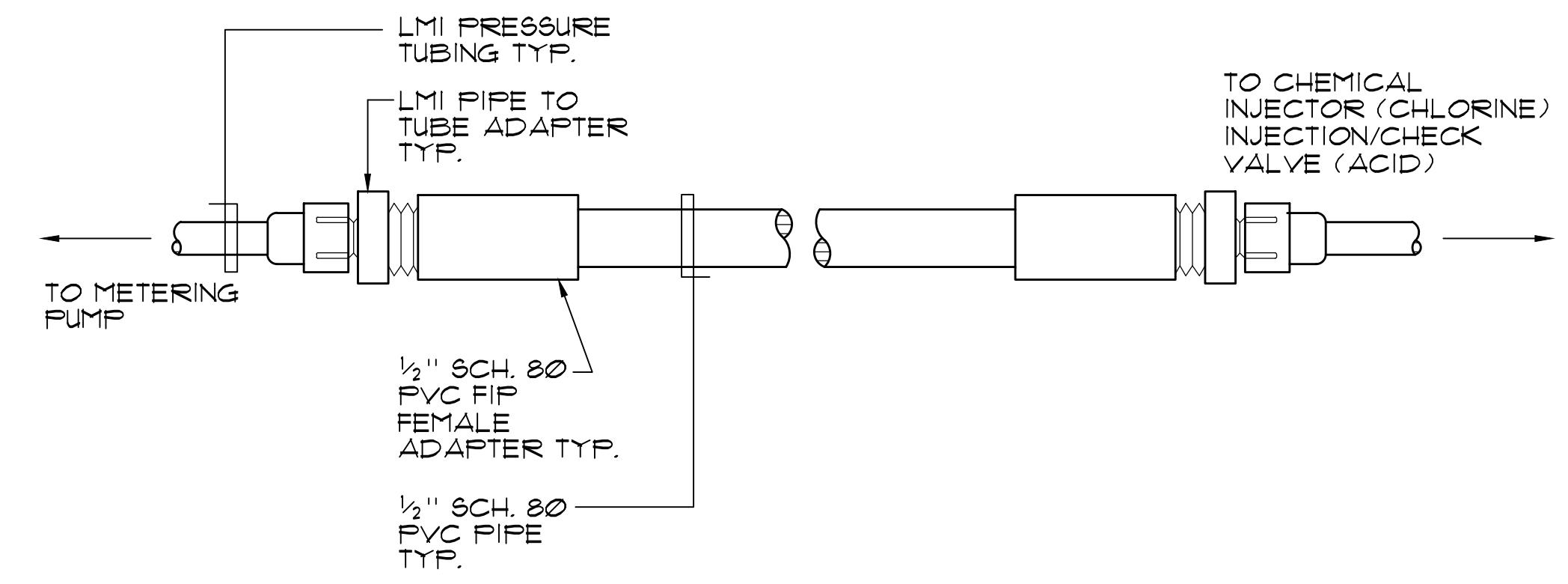
**6 VAPOR RECOVERY TANK** 1/16"=1'-0"



**7 CHEMICAL TANK ANCHOR** NO SCALE



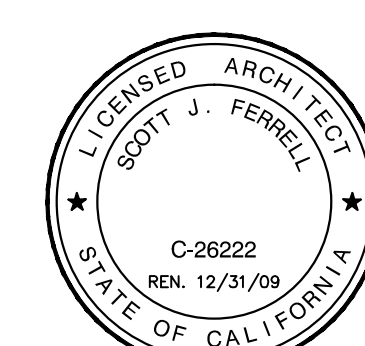
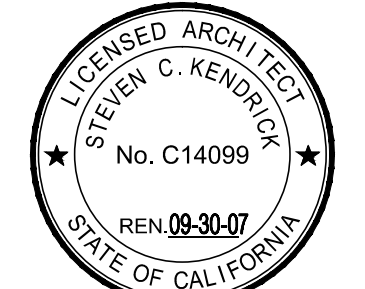
**8 HAZARDOUS INFORMATION SIGNAGE** NO SCALE



**9 CHEMICAL FEED PIPING DETAIL** NO SCALE



McCarthy Building Companies, Inc.  
343 Sansome Street, 14th Floor  
San Francisco, California 94104  
P 415 364-1339  
F 415 397-5999



IDENTIFICATION STAMP  
DIV. OF THE STATE ARCHITECT  
OFFICE OF REGULATION SERVICE  
APPL. #: 01-110097  
DATE \_\_\_\_\_  
FILE NUMBER: 41-C1

This set of other project documents and all items, vertical and design incorporated herein are instruments of service. All project documents are the registered property of LPA, Inc. (LPA) and shall not be copied, reproduced, or used for any purpose other than that intended in the contract documents. LPA, Inc. is not responsible for any reproduction or modification of these documents. LPA, Inc. is not responsible for any reproduction or modification of these documents. LPA, Inc. is not responsible for any reproduction or modification of these documents. LPA, Inc. is not responsible for any reproduction or modification of these documents. LPA, Inc. is not responsible for any reproduction or modification of these documents.

College of San Mateo  
Site Package  
San Mateo, CA

Date	
Revision	Description

Date	19 SEPT 2008
Revision	DS&A SUBMITTAL
Date	09 APRIL 2009
Revision	DS&A FINAL
Date	JUNE 2011
Revision	PROJECT RECORD DRAWING

Job No.	27082-30
Date	09 APRIL 2009
Drawn by	NFC
Checked by	SJF
Scale	AS NOTED