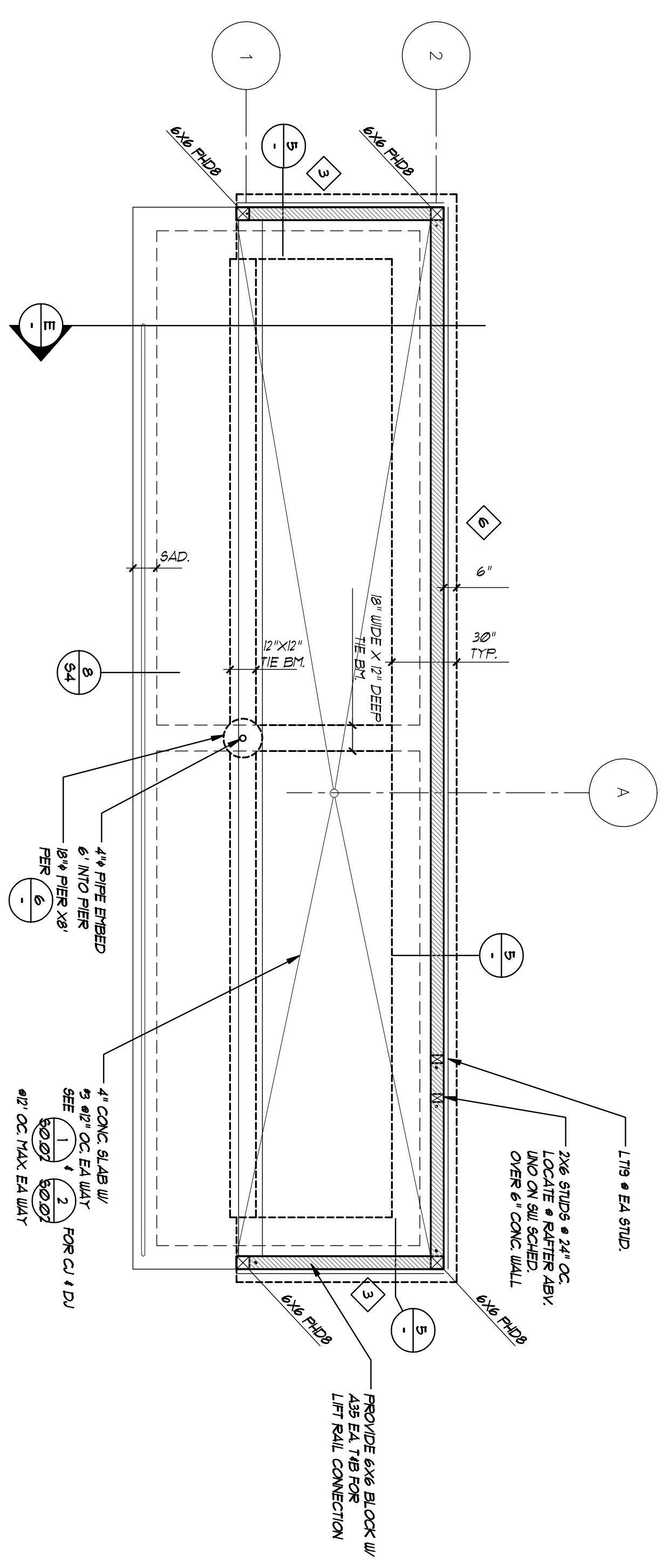


ISSUE DATE:	DESCRIPTION:
10/20/08	ISA
01/20/09	REVISED
03/01/09	REVISED

DRAWN BY:	SR
REVIEWED BY:	TS
APPROVED BY:	TS
DES PROJECT NO.:	0000.000

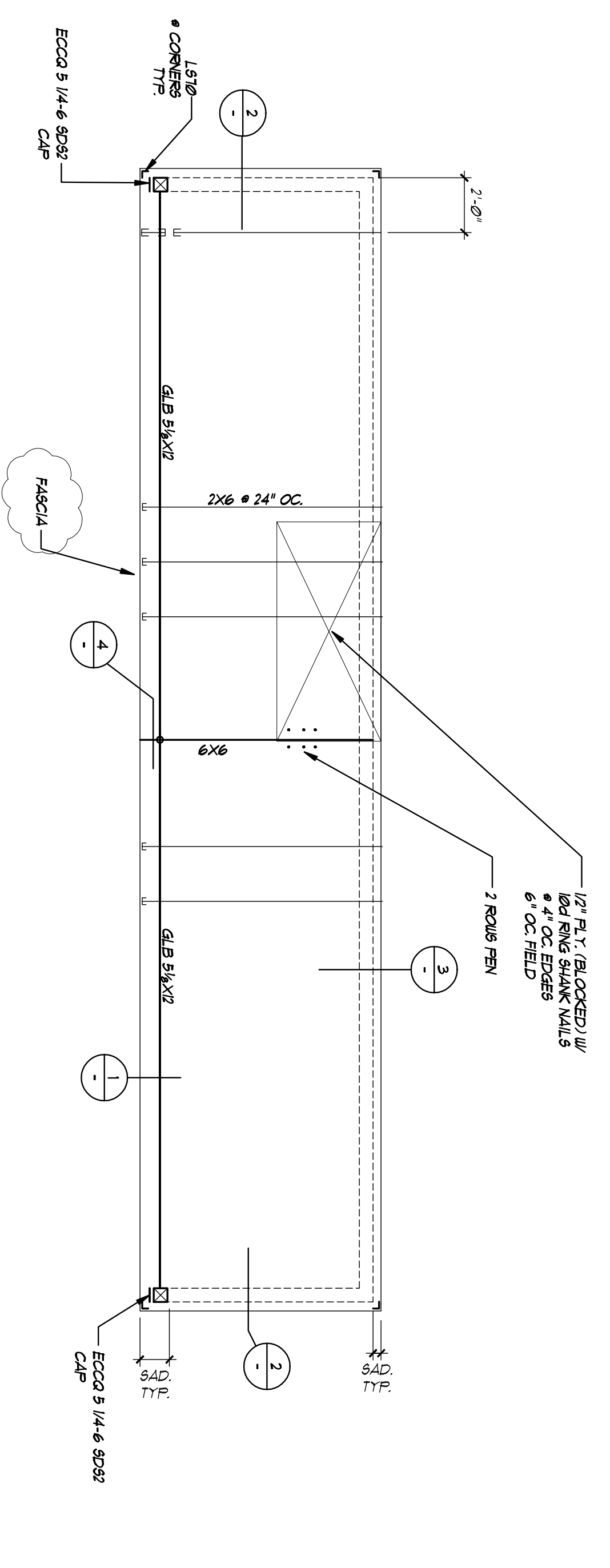
TSA
 STRUCTURAL ENGINEERS
 433 Airport Blvd, Ste. 100E
 Redwood City, CA 94061
 Tel: (650) 820-9555
 Fax: (650) 820-9559
 Email: tsa@tsa.com

C-28933
 12/21/07



A FOUNDATION PLAN - DUGOUT
 1/2" = 1'-0"

NOTES: SEE S1 THRU S4



B ROOF FRAMING PLAN - DUGOUT
 1/2" = 1'-0"

SHEARWALL SCHEDULE

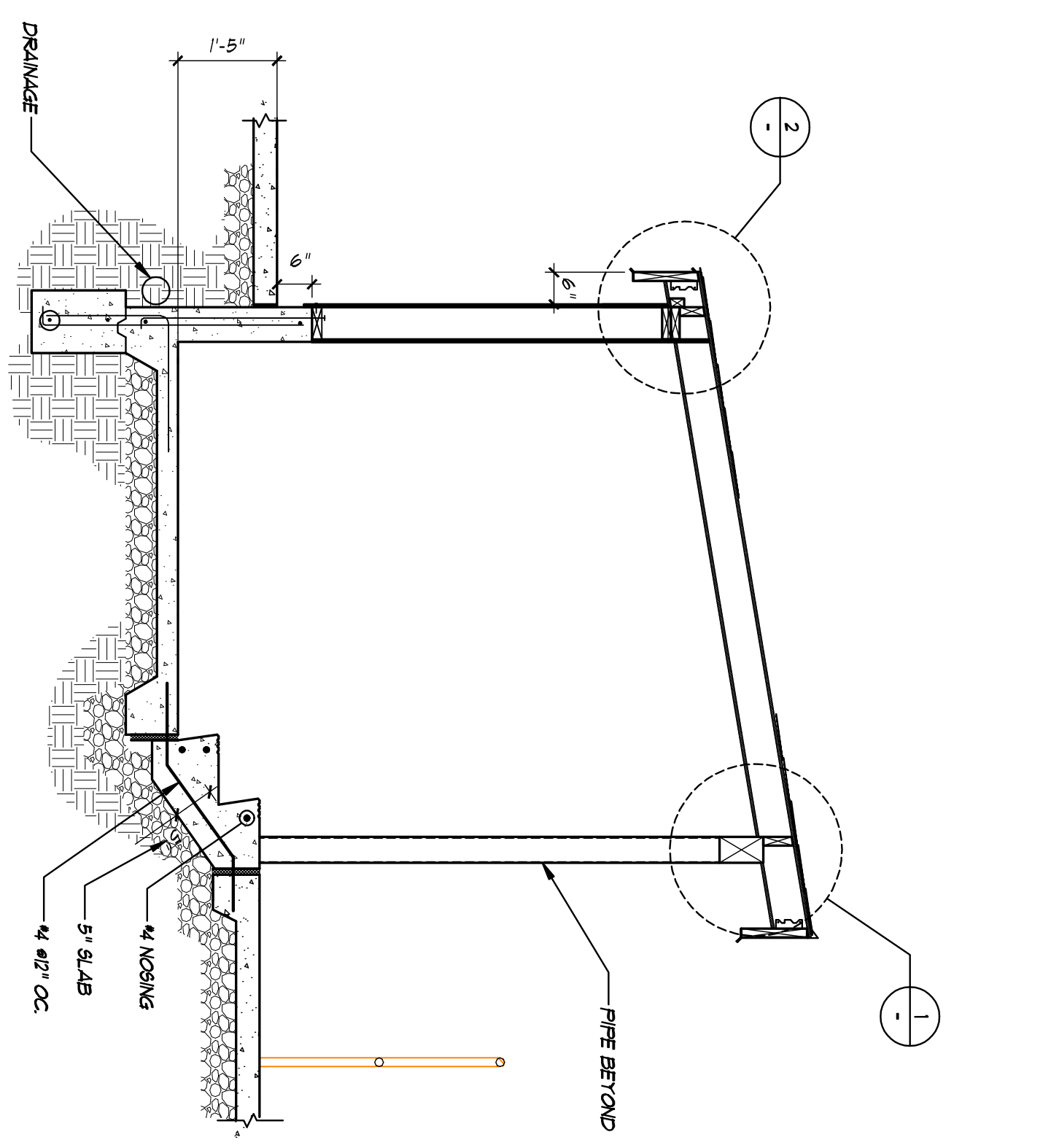
MARK	REINFORCING	NAILING (REV.)	ANCHOR BOLT (2)	WALL
6	6	6	6	6
4	4	4	4	4
3	3	3	3	3

- (1) * USE 3x STUD BLOCKING AND PLATE * FLYWOOD EDGE
- (2) * USE PLATE 2x2x16 W/ASHERS
- (3) * FIELD NAILING SHALL BE 6d @ 12" OC-TYPICAL
- (4) * TYP. EXT. FLY W/OC
- (5) * USE RING SHANK NAILS

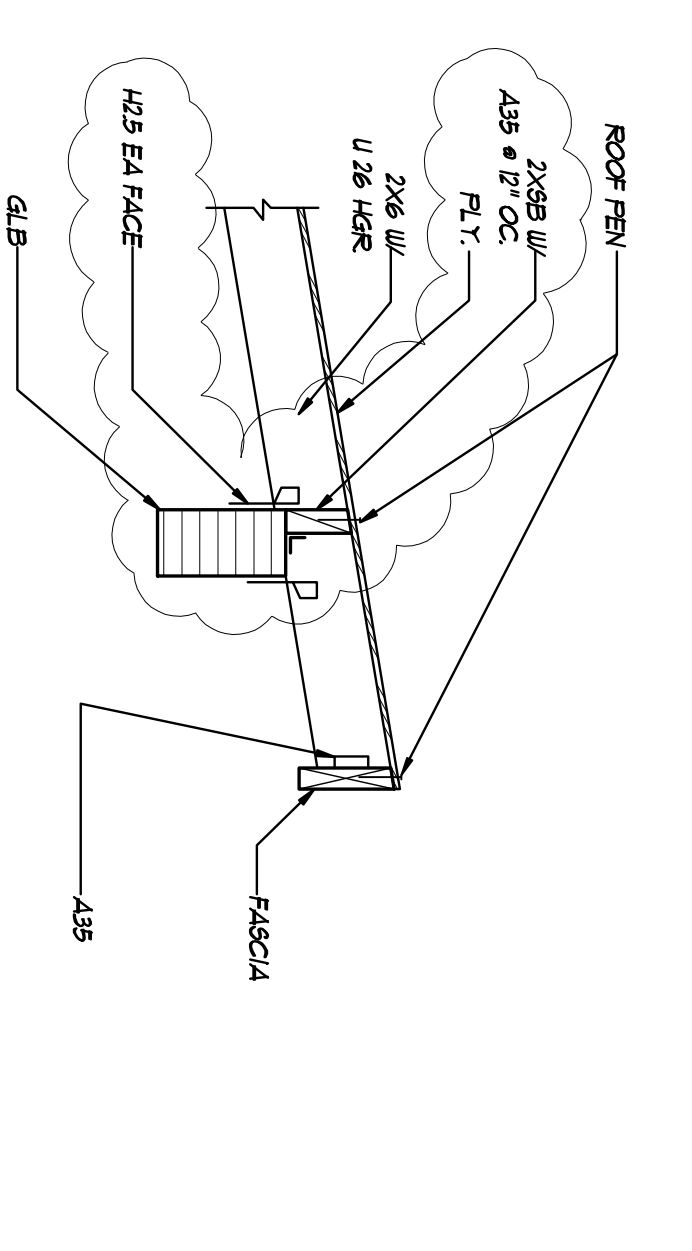
LEGEND:

-
-
-
-

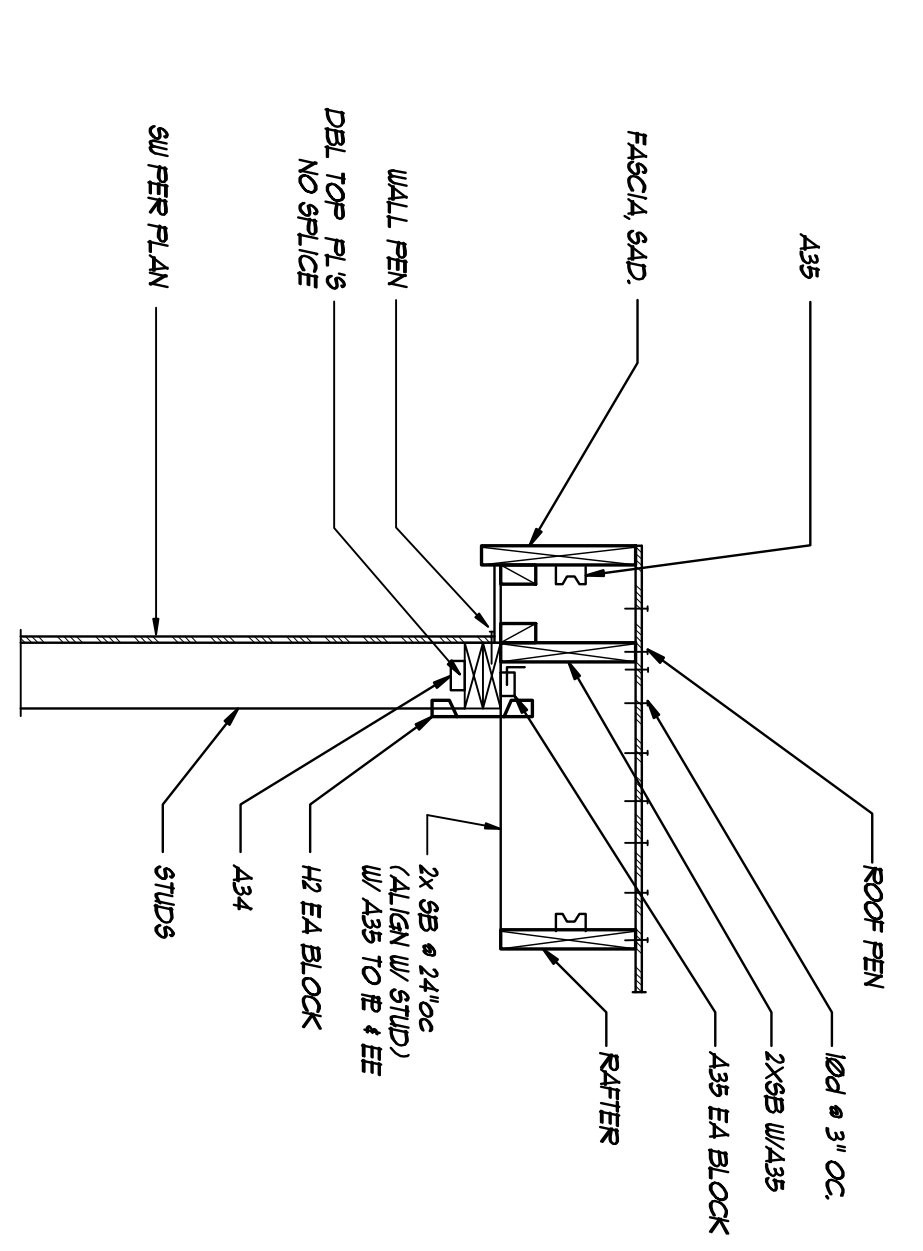
C SHEAR WALL SCHEDULE & LEGEND



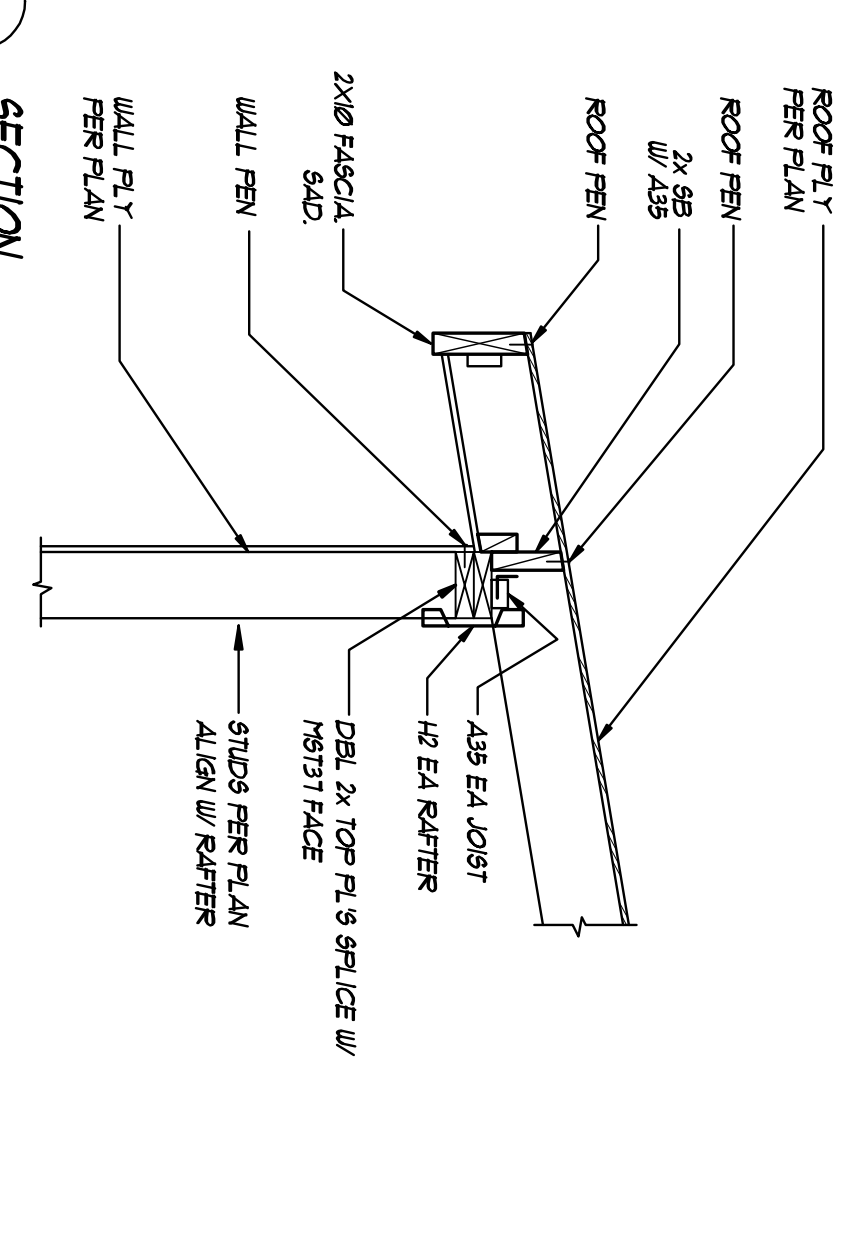
E DUGOUT SECTION
 1/2" = 1'-0"



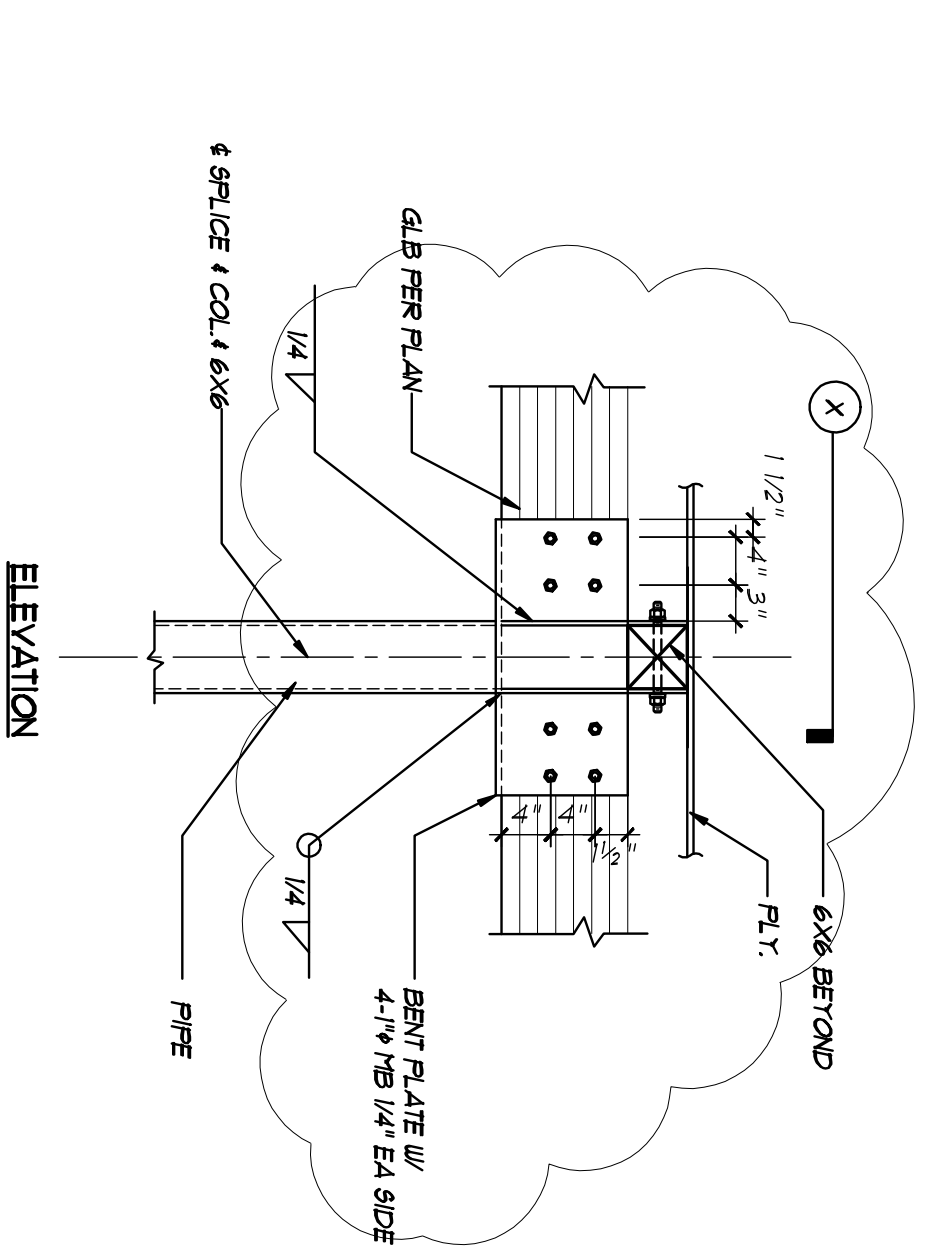
1 SECTION
 3/4" = 1'-0"



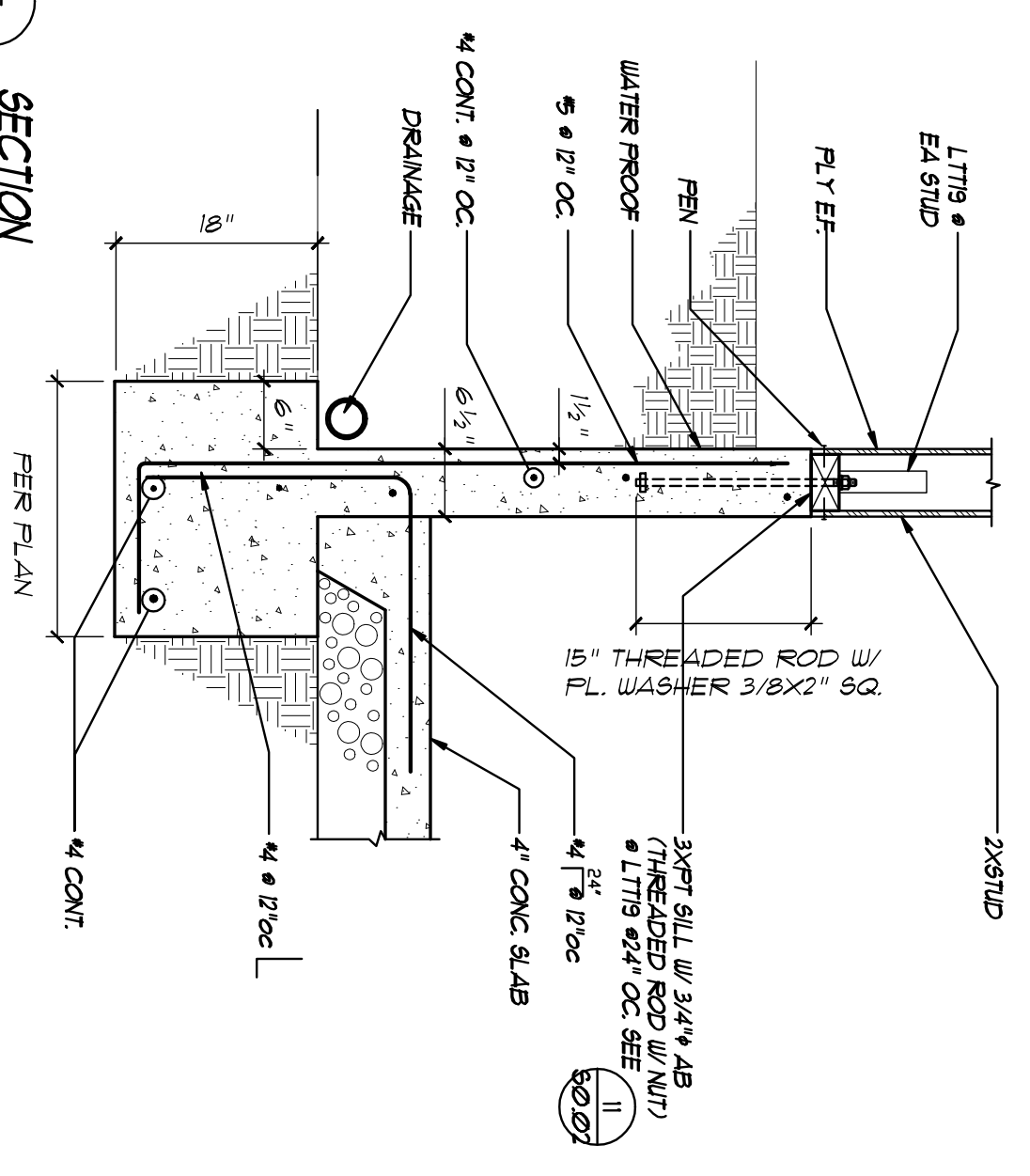
2 SECTION
 3/4" = 1'-0"



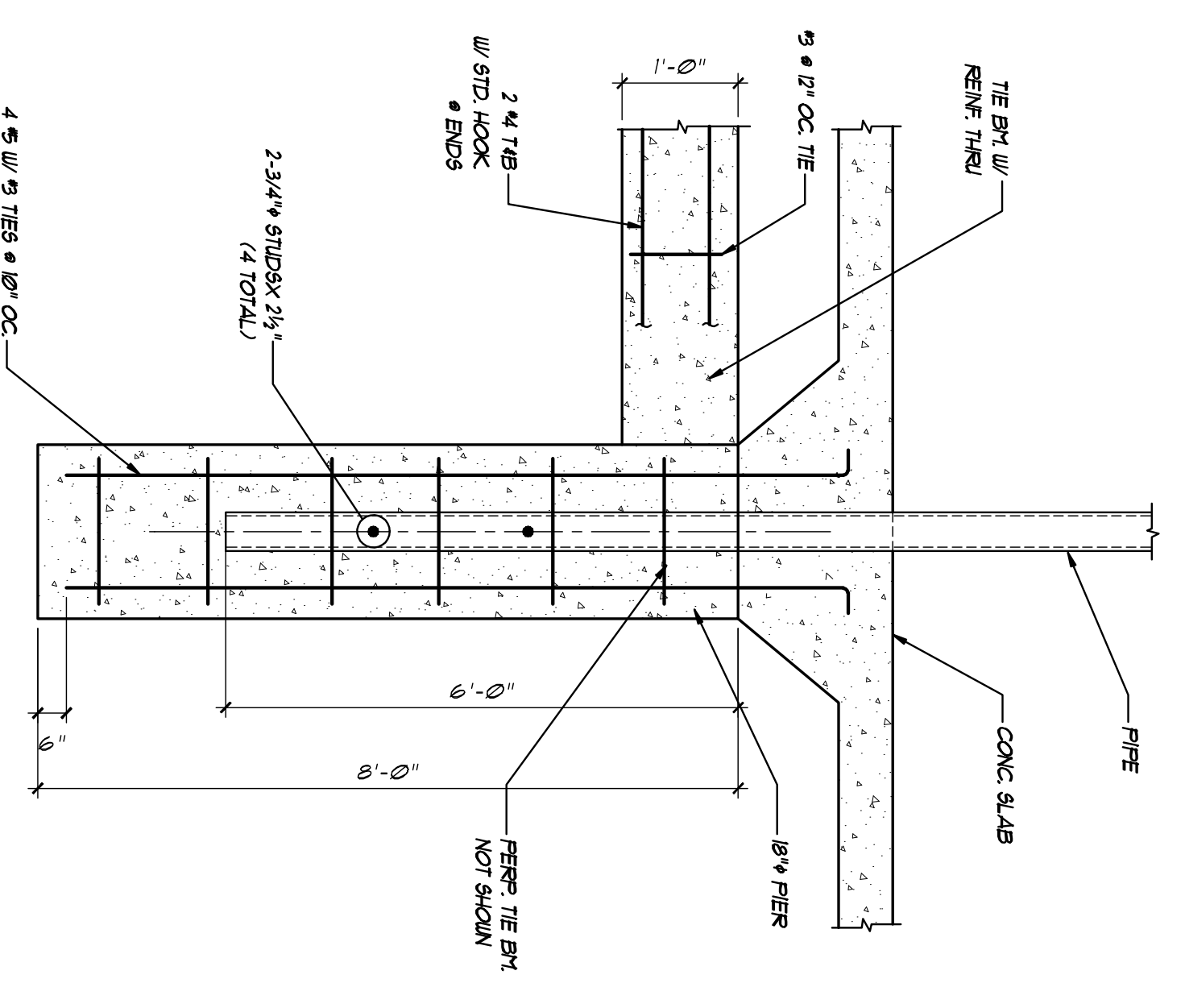
3 SECTION
 3/4" = 1'-0"



4 DETAIL
 3/4" = 1'-0"



5 SECTION
 3/4" = 1'-0"



6 SECTION
 3/4" = 1'-0"