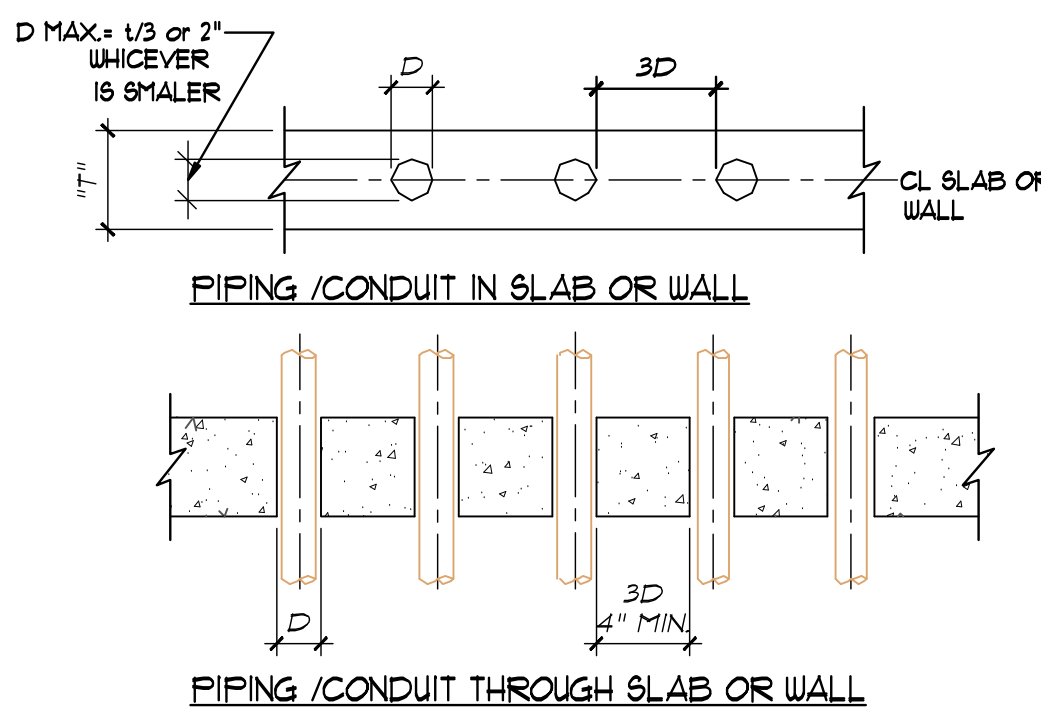


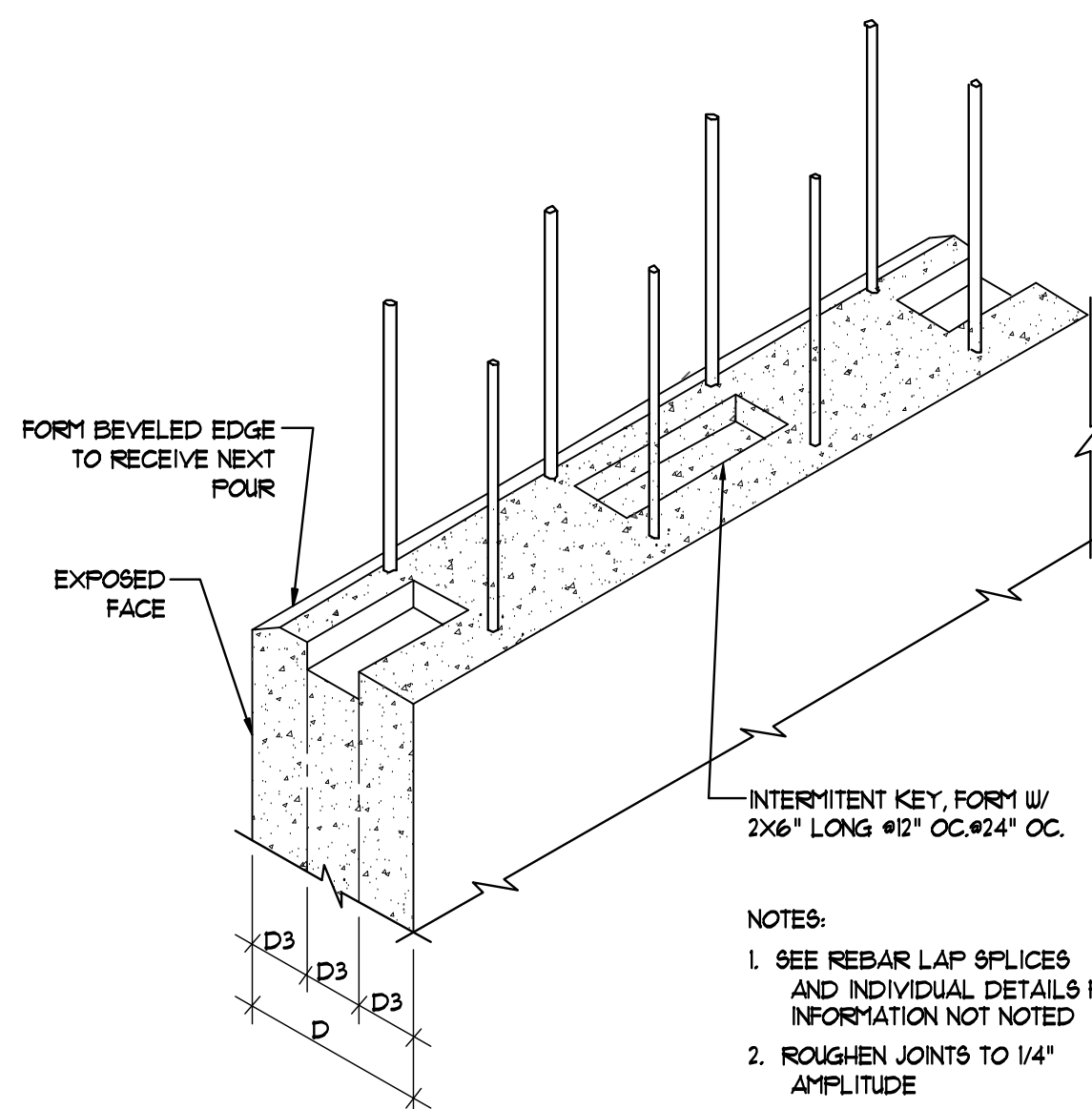
- NOTES:
- DO NOT CUT REINFORCING
 - SLEEVE TO BE PLACED IN MIDDLE THIRD OF BEAM DEPTH AND BEAM SPAN ONLY.

17 SLEEVE THRU GRADE BEAM FOOTING



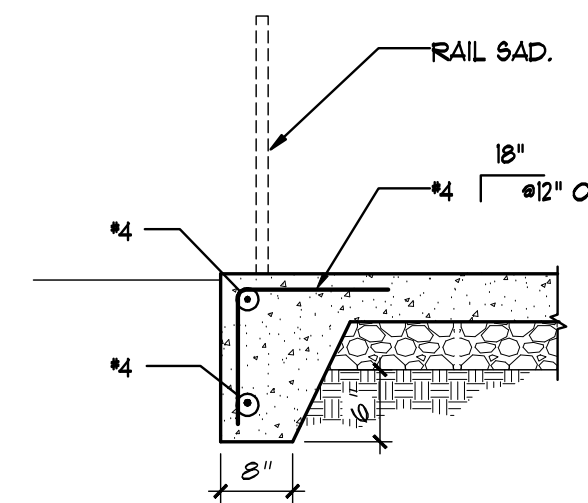
- NOTE:
- IF 4" MIN. CLEAR DISTANCE BETWEEN SLEEVES IS NOT POSSIBLE, THIS CONDITION SHALL BE TREATED AS A SLAB OPENING PER TYPICAL DETAIL "REINFORCING AROUND STRUCTURAL SLAB OPENINGS"

18 PIPING & CONDUIT IN OR THROUGH SLAB OR WALL

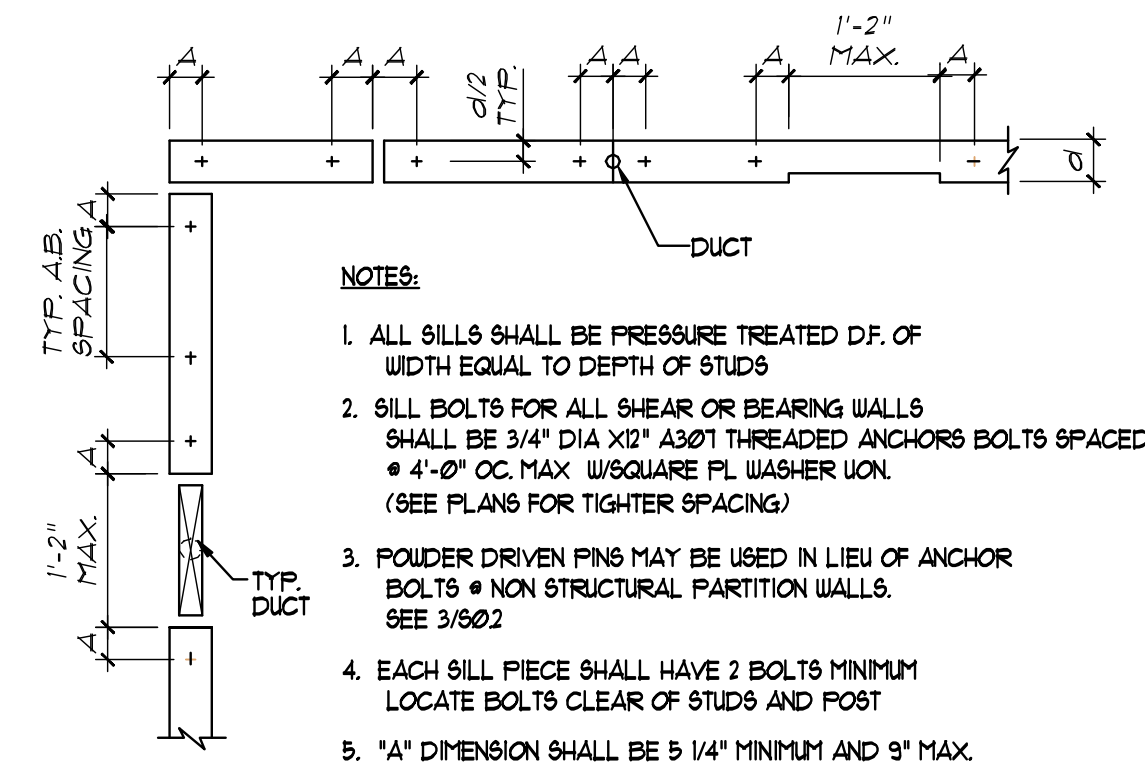


- NOTES:
- SEE REBAR LAP SPLICES AND INDIVIDUAL DETAILS FOR INFORMATION NOT NOTED
 - ROUGHEN JOINTS TO 1/4" AMPLITUDE

19 HORIZONTAL CONST. JOINT IN CONCRETE WALL & FOOTING

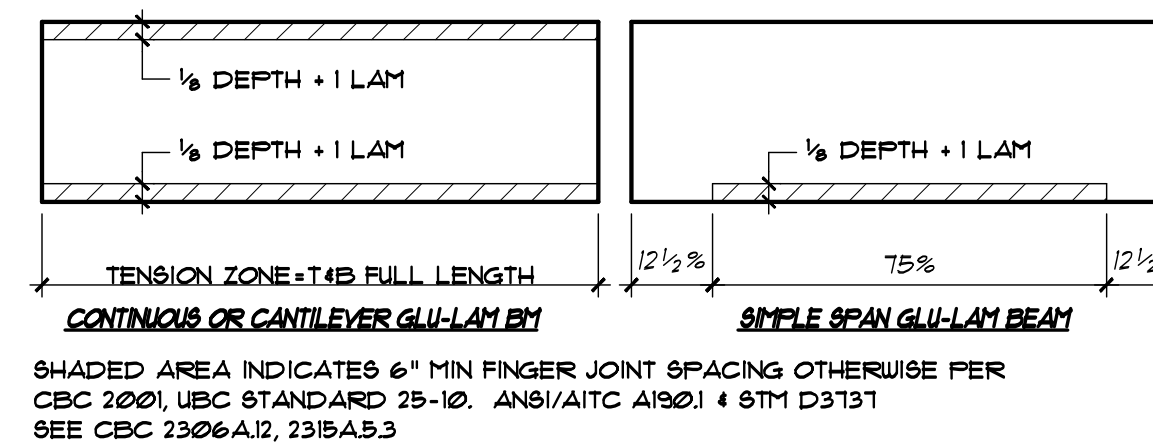


8 EXT. PAD



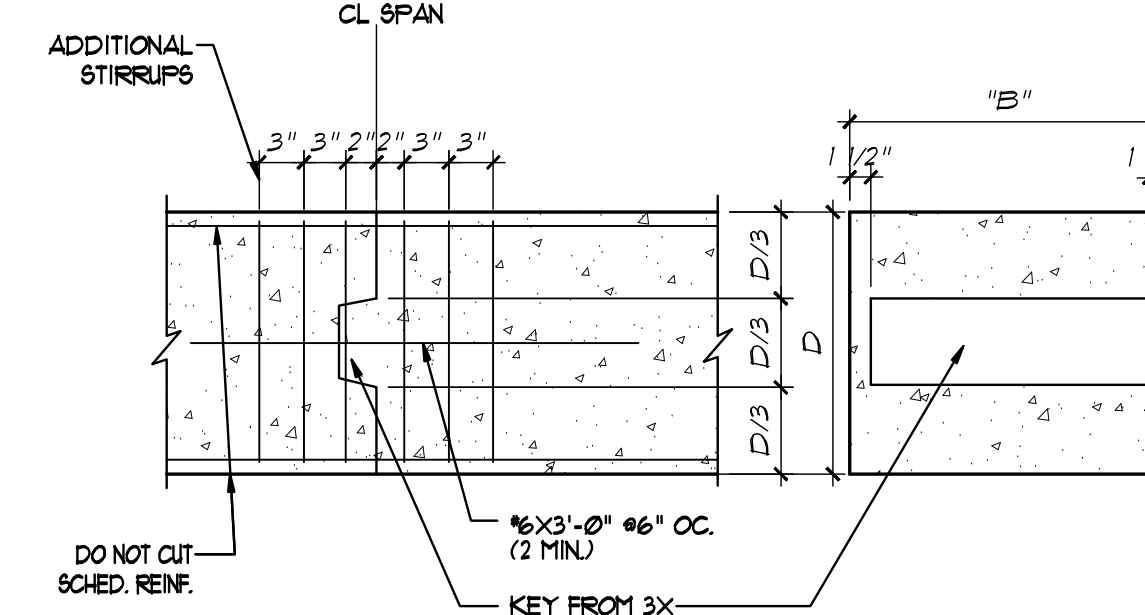
- NOTES:
- ALL SILLS SHALL BE PRESSURE TREATED D.F. OF WIDTH EQUAL TO DEPTH OF STUDS
 - SILL BOLTS FOR ALL SHEAR OR BEARING WALLS SHALL BE 3/4" DIA X2" ADJUSTED THREADED ANCHORS BOLTS SPACED @ 4" OC MAX. W/ SQUARE PL. WASHER UN. (SEE PLANS FOR TIGHTER SPACING)
 - POUNDER DRIVEN PINS MAY BE USED IN LIEU OF ANCHOR BOLTS @ NON STRUCTURAL PARTITION WALLS. SEE 3/802
 - EACH SILL PIECE SHALL HAVE 2 BOLTS MINIMUM LOCATE BOLTS CLEAR OF STUDS AND POST
 - "A" DIMENSION SHALL BE 5 1/4" MINIMUM AND 9" MAX.

9 PLAN-ANCHOR BOLT & SILL PLATE



SHADED AREA INDICATES 6" MIN FINGER JOINT SPACING OTHERWISE PER CBC 2306.1, IBC STANDARD 73-10. ANS/AISC A1901 & STY D3131 SEE CBC 2306A.2, 2315A.3

14 GLB FINGER JOINT LOCATION REQUIREMENTS



- DO NOT CUT SCHED. REIN.
- KEY FROM 3X

15 BEAMS & GRADE BM. (FOOTING) CONST. JOINT

BOLT SIZE	SQ. PLATE WASHER *	STD CUT WASHER
3/8" DIA	1 1/2" x 1 1/2" x 1/8"	1" DIA. x 3/32"
1/2" DIA	2" x 2" x 1/4"	1 3/8" DIA. x 1/8"
5/8" DIA	2 1/4" x 2 1/4" x 1/4"	1 3/4" DIA. x 1/8"
3/4" DIA	2 1/2" x 2 1/2" x 1/8"	2" DIA. x 5/32"
7/8" DIA	3" x 3" x 5/16"	2 1/4" DIA. x 1/8"
1" DIA	3 1/2" x 3 1/2" x 3/8"	2 1/2" DIA. x 1/8"
1 1/8" DIA	3 1/2" x 3 1/2" x 1/2"	2 3/4" DIA. x 1/8"

* USE # SILL PLATES OF SHEARWALL
ALL SILL PLATES REQUIRE PLATE WASHERS

16 PLATE WASHER SCHEDULE

CONNECTION	NAILING ¹
1. JOIST OR RAFTERS TO SIDE OF STUDS	3-16d 1-16d
2. BRIDGING TO JOIST, TOENAIL EACH END	2-8d
3. 1"x6" SUBFLOOR OR LESS TO EA JOIST, FACE NAIL	2-8d
4. WIDER THAN 1"x6" SUBFLOOR TO EA JOIST, FACE NAILS	3-8d
5. 2" SUBFLOOR TO JOIST OR GIRDER, BLIND AND FACE NAIL	2-16d
6. SOLE PLATE TO JOIST OR BLOCKING, TYPICAL FACE NAIL	16d @ 16" OC.
7. SOLE PLATE TO JOIST OR BLOCKING @ BRACED WALL PANELS	3-16d PER 16"
8. STRIP TO SOLE PLATE	2-16d
9. DOUBLE STUDS, FACE NAIL	4-8d TOENAIL OR 2-16d, END NAIL
10. DOUBLE TOP PLATES, TYPICAL FACE NAILS	16d @ 16" OC.
11. DOUBLE TOP PLATES, TOP SPLICES	8-16d
12. BLOCKING BET. JOIST OR RAFTERS TO TOP PLATE, TOE NAIL	3-8d
13. RIM JOIST TO TOP PLATE, TOENAIL	8d @ 6" OC.
14. TOP PLATES, LAPS AND INTERSECTION, FACE NAILS	2-16d
15. CONTINUOUS HEADER, TWO PIECES	16d @ 16" OC. ALONG EA SIDE
16. CEILING JOIST TO PLATE, TOENAIL	3-8d
17. CONTINUOUS HEADER TO STUD, TOENAIL	4-8d
18. CEILING JOIST, LAPS OVER PARTITIONS, FACE NAIL	3-16d
19. CEILING JOISTS TO PARALLEL RAFTERS, FACE NAIL	3-16d
20. JOIST OR RAFTERS @ ALL BEARINGS-TOENAILS, EA SIDE	2-10d
21. 1" BRACE TO EA STUD AND PLATE, FACE NAIL	2-8d
22. 1"x8" SHEATHING OR LESS TO EA BEARING, FACE NAIL	2-8d
23. WIDER THAN 1"x8" SHEATHING TO EA BEARING, FACE NAIL	3-8d
24. BUILT UP CORNER STUDS	2-16d @ 24" OC.
25. BUILT UP GIRDER AND BEAMS	2-16d @ 32" OC. @ TOP & BOTTOM 1ST AGGREGED 2-16d @ ENDS AND @ EA SPLICE
26. 2" FLANKS	2-16d @ EA BEARING
27. WOOD STRUCTURAL PANELS AND PARTICLE BOARD SUBFLOOR, ROOF AND WALL SHEATHING (TO FRAMING) 1/2" AND LESS	6d ² 8d ² OR 6d ² 8d ²
19/32" - 3/4"	8d ² OR 6d ²
3/8" - 1"	8d ² OR 6d ²
1 1/8" - 1 1/4"	10d ² OR 8d ²
COMBINATION SUBFLOOR - UNDERLAYMENT (TO FRAMING): 3/4" AND LESS	6d ²
7/8" - 1"	8d ²
1 1/8" - 1 1/4"	10d ² OR 8d ²
28. PANEL SIDING (TO FRAMING): 1/2" OR LESS	6d ² 8d ²
29. FIBERBOARD SHEATHING: 1/2"	NO. 11 ga 8 6d ² NO. 16 ga 9 NO. 11 ga 9 8d ² NO. 16 ga 9
25/32"	
30. INTERIOR PANELING 1/4" 3/8"	4d ² 6d ²

FOOTNOTES:

- USE COMMON WIRE NAILS EXCEPT WHERE OTHERWISE STATED
- NAILS SPACED @ 6" ON CENTER @ EDGES, 12" @ INTERMEDIATE SUPPORTS EXCEPT 6" @ ALL SUPPORTS WHERE SPANS ARE 48" OR MORE FOR NAILING OF WOOD STRUCTURAL PANEL AND PARTICLEBOARD DIAPHRAGMS AND SHEAR WALLS, REFER TO SECTIONS 238A.3.3 AND 238A.4 NAILS FOR WALL SHEATHING MAY BE COMMON, BOX OR CASING
- COMMON OR DEFORMED SHANK
- COMMON
- DEFORMED SHANK
- CORROSION-RESISTANT SIDING OR CASING NAILS CONFORMING TO THE REQUIREMENTS OF SECTION 238A.4.3
- FASTENERS SPACED 3" ON CENTER @ EXTERIOR EDGES AND 6" ON CENTER @ INTERMEDIATE SUPPORTS
- CORROSION-RESISTANT ROOFING NAILS WITH 1/8" DIAMETER HEAD AND 1 1/2" LENGTH FOR 1/2" SHEATHING AND 1 3/4" LENGTH FOR 25/32" SHEATHING CONFORMING TO THE REQUIREMENTS OF SECTION 238A.4.3
- CORROSION-RESISTANT STAPLES WITH NOMINAL 7/8" CROWN AND 1 1/8" LENGTH FOR 1/2" SHEATHING AND 1 1/2" LENGTH FOR 25/32" SHEATHING CONFORMING TO THE REQUIREMENTS OF SECTION 238A.4.3
- PANEL SUPPORTS @ 16" @ 12" IF STRENGTH AXIS IN THE LONG DIRECTION OF THE PANEL, UNLESS OTHERWISE MARKED; CASING OR FINISH NAILS SPACED 6" ON PANEL EDGES 12" @ INTERMEDIATE SUPPORTS
- PANEL SUPPORTS @ 24" CASING OR FINISH NAILS SPACED 6" ON PANEL EDGES, 12" @ INTERMEDIATE SUPPORTS
- WHEN POSSIBLE, NAILS DRIVEN PERPENDICULAR TO THE GRAIN SHALL BE USED INSTEAD OF TOENAILS.

DES
ARCHITECTS
ENGINEERS

399 Bradford Street Redwood City, Ca. 94063
Tel: (650) 364-6453
Fax: (650) 364-2618
www.des-ae.com

CMX Sports Engineers

7740 NORTH 16TH STREET
SUITE 100
PHOENIX, AZ. 85020
Ph: (602) 567-1900
Fax: (602) 567-1901

ROBERT A. BOTHMAN, INC.

General Engineering and Building Contractors

650 QUINN AVENUE
SAN JOSE, CA. 95112
Ph: (408) 279-2277
Fax: (408) 279-2281

**SAN MATEO COUNTY
COMMUNITY COLLEGE
DISTRICT
ATHLETIC FIELDS
PHASE 2
INCREMENT 1A**

COLLEGE OF SAN MATEO
SOFTBALL FIELD

1700 W. Hillsdale Blvd.
San Mateo, Ca. 94402

TYPICAL WOOD DETAILS

ISSUE:	DATE:	DESCRIPTION:
	10/23/08	DSA
	01/22/07	REVISED
	03/07/07	REVISED

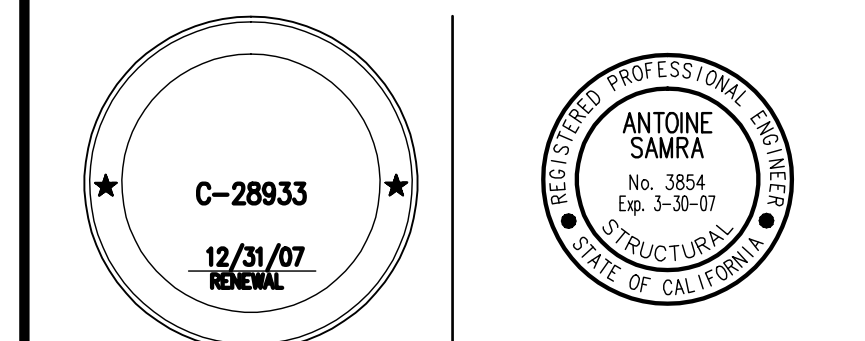
DRAWN BY: SL

REVIEWED BY: TS.

APPROVED BY: TS.

DES PROJECT NO.: 0000.000

433 Airport Blvd, Ste 106E
Burlingame, Ca 94010
Tel: (650) 620-9555
Fax: (650) 620-9559
E-mail: tso@tsoe.com



SHEET NO.

S0.04

1 NAILING SCHEDULE