

399 Bradford Street Redwood City, Ca. 94063
 Tel: (650) 364-6453
 Fax: (650) 364-2618
www.des-ae.com

CMX Sports Engineers
 7740 NORTH 16TH STREET
 SUITE 100
 PHOENIX, AZ. 85020
 Ph: (602) 567-1900
 Fax: (602) 567-1901

ROBERT A. BOTHMAN, INC.
 General Engineering and Building Contractors
 650 QUINN AVENUE
 SAN JOSE, CA. 95112
 Ph: (408) 279-2277
 Fax: (408) 279-2281

SAN MATEO COUNTY COMMUNITY COLLEGE DISTRICT ATHLETIC FIELDS PHASE 2

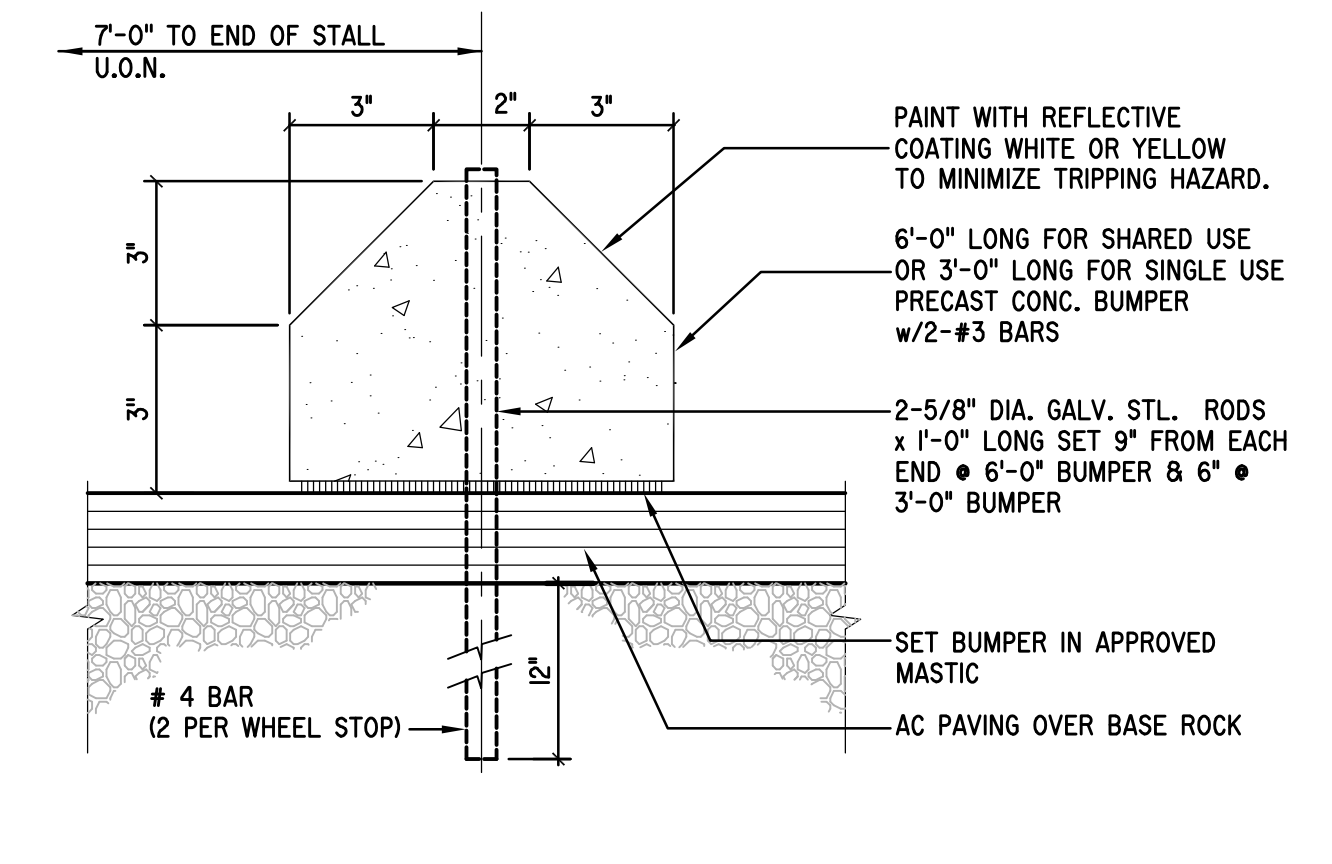
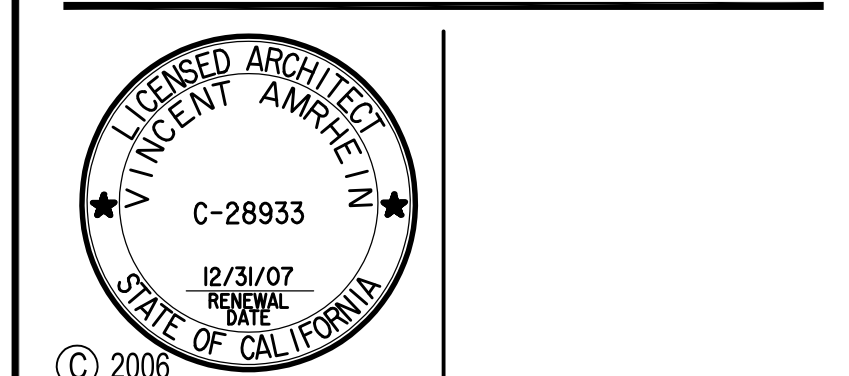
INCREMENT 1.A
 COLLEGE OF SAN MATEO
 SOFTBALL FIELD
 1700 W. Hillside Blvd.
 San Mateo, Ca. 94402

SITE DETAILS

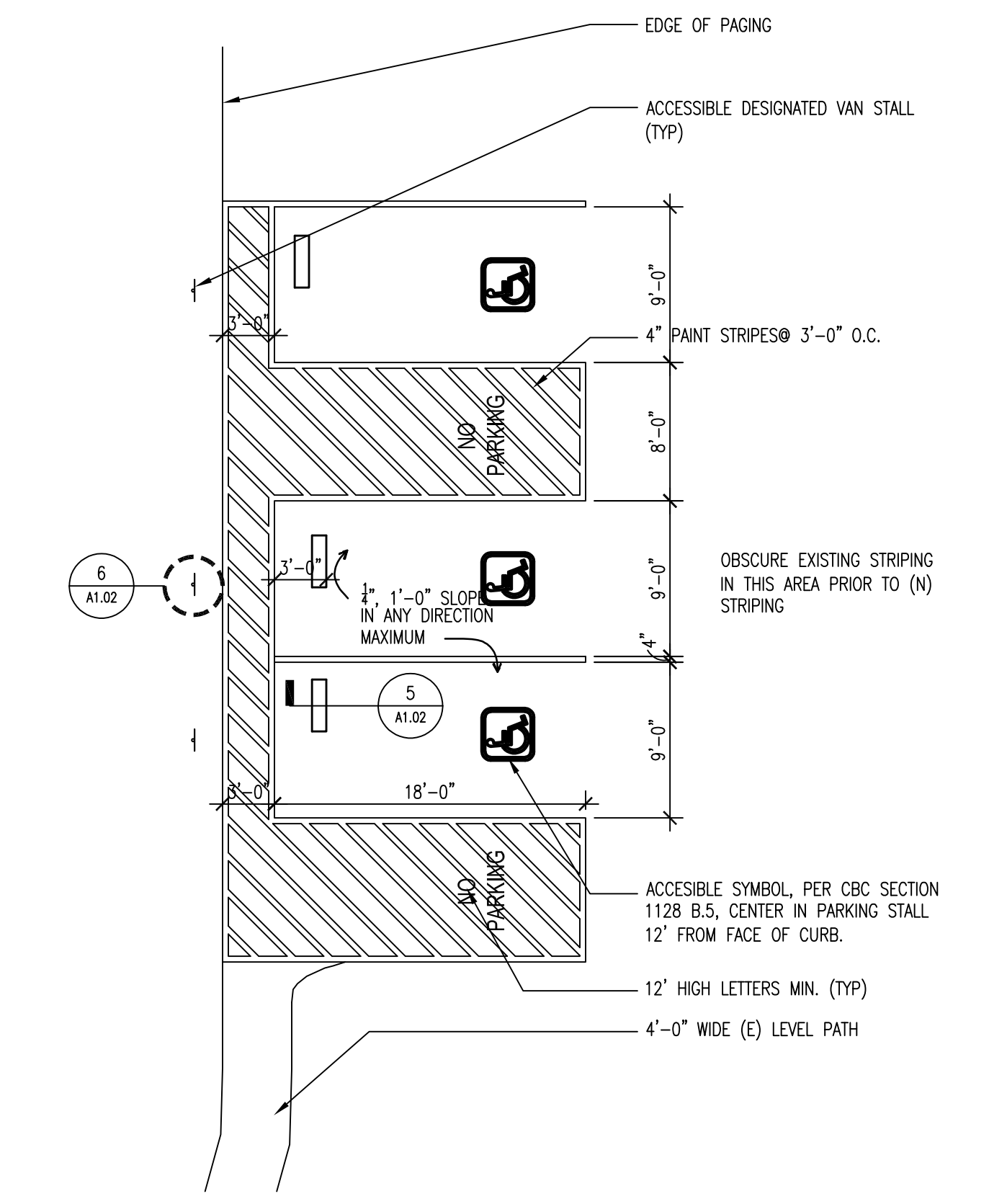
ISSUE:	DATE:	DESCRIPTION:
	11-14-06	CD REVISIONS

DRAWN BY: A. MARQUEZ / A.BAKSH
 REVIEWED BY: V. AMRHEIN
 APPROVED BY: V. AMRHEIN
 DES PROJECT NO.: 9126.12

IDENTIFICATION STAMP
 DIVISION OF THE STATE ARCHITECT
 APPL. #: _____
 FILE # 41-C1
 AC FLS. SS _____
 DATE: _____



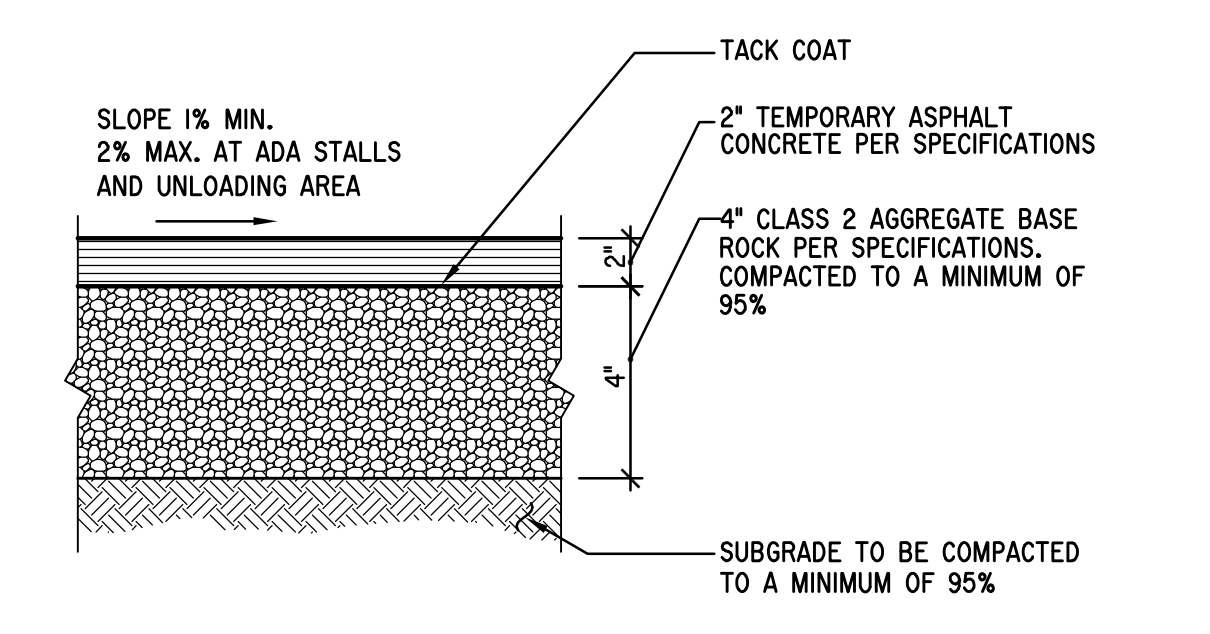
5 WHEEL STOP
 SCALE: N.T.S. FILE NAME: WHELSTP DRAWN BY: MASTER



2 ACCESSIBLE PARKING
 SCALE: 1/8"=1'-0" FILE NAME: A09-16 DRAWN BY: A.BAKSH

- NOTES:**
- OFF-STREET PARKING FACILITIES TO HAVE SIGN AT STREET ENTRANCE NOT LESS THAN 17" x 22" IN SIZE. SIGN TEXT TO BE BEADED (OR EQUAL) TO STATE THE FOLLOWING: "UNAUTHORIZED VEHICLES NOT DISPLAYING DISTINGUISHING PLACARD OR LICENSE PLATE ISSUED FOR PERSON WITH DISABILITIES, MAY BE TOWED AWAY AT OWNER'S EXPENSE. TOWED VEHICLES MAY BE RECLAIMED AT _____ OR BY TELEPHONING _____. CONTRACTORS TO FILL IN BLANKS PRIOR TO MANUFACTURING SIGN."
 - HANDICAP PARKING SPACE SIGN TO BE BEADED (OR EQUAL) WITH HANDICAP SYMBOL AS SHOWN. SIZE TO BE TO S.D. MIN. MINIMUM PER CBC SECTION 409 B.5.
 - PROVIDE SIGN AT VAN STALL WITH ADD'L SIGN STATING "VAN ACCESSIBLE."
-

6 ACCESSIBLE PARKING: SIGNS
 SCALE: N.T.S. FILE NAME: _____ DRAWN BY: MASTER



03 AC TEMPORARY PAVEMENT SECTION
 SCALE: 1-1/2"=1'-0" FILE NAME: ASHPAVE DRAWN BY: MASTER

Jun 30, 2008 - 9:53am abdash P:\SMCCD\HPT\912612\Site Details.dwg I:\CAA\102 Site Details.dwg