

CSM CHARGING STATIONS FOR ELECTRIC VEHICLES

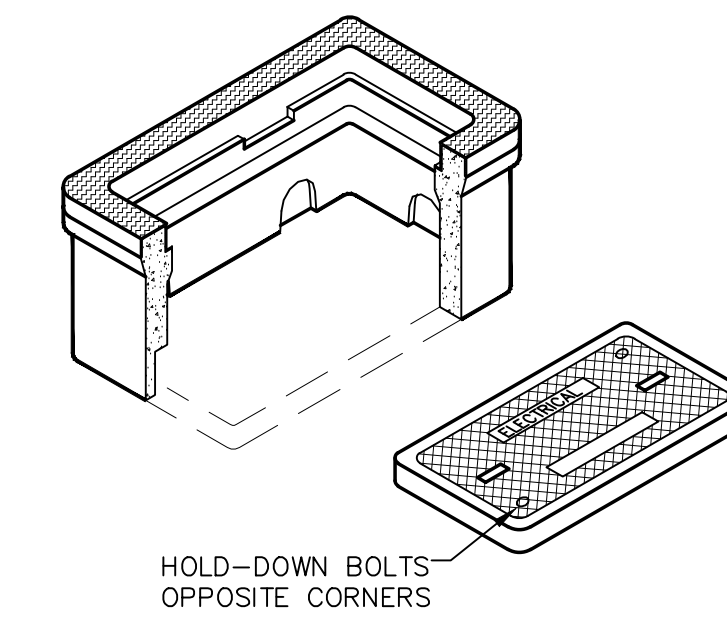
JEFF SULTAN, P.E. ELECTRICAL ENGINEER
2081 Camino de los Robles Menlo Park, CA 94025 (650) 854-7585
jeff@jmspower.net



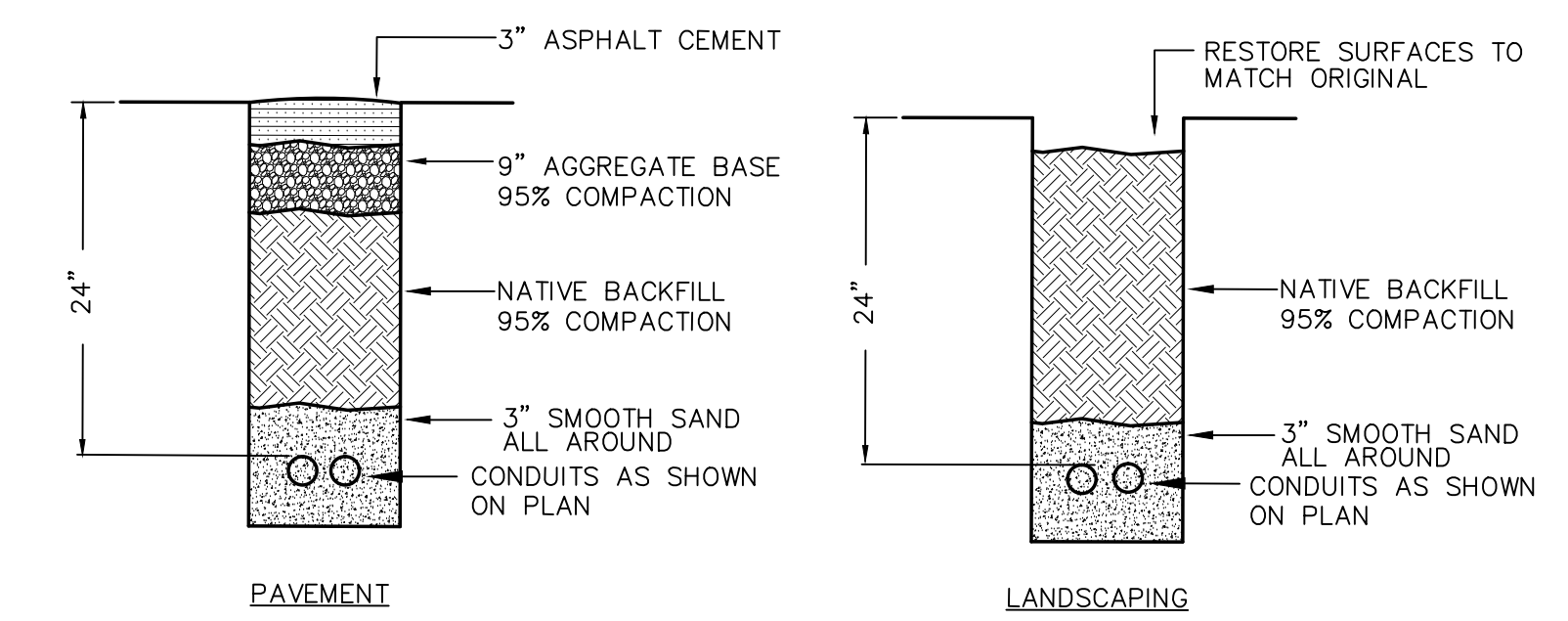
GENERAL NOTES:

- PERFORM ALL WORK ACCORDING TO 2008 CALIFORNIA ELECTRIC CODE (CEC). COORDINATE INSPECTIONS WITH DISTRICT INSPECTOR OF RECORD. DRAWINGS ARE DIAGRAMMATIC AND WORK IS SUBJECT TO APPROVAL BY INSPECTOR IN THE FIELD.
- LOCATIONS ARE APPROXIMATE. EXACT LOCATIONS FOR CHARGING STATIONS WILL BE MARKED IN THE FIELD.
- ALL MATERIAL SHALL BE NEW, U.L. LISTED AND INSTALLED ACCORDING TO LISTING REQUIREMENTS.
- MATERIALS:
CIRCUIT: 2-#6 + 2-#8 + #6GR, THWN COPPER.
RACEWAY: PVC SCHEDULE 40 UNDERGROUND, RSW OUTDOORS WHERE EXPOSED, EMT INDOORS. TERMINATE ALL CONDUITS WITH BUSHING OR ENDBELL. INSTALL (N) UNDERGROUND CONDUITS ACCORDING TO DETAIL 4. USE 2" C, MINIMUM, CONDUIT FOR UNDERGROUND EXCEPT WHERE 1" C IS SHOWN TO EQUIPMENT.
- UPDATE PANEL SCHEDULE AND LABEL (N) EQUIPMENT WITH PANEL LOCATION, DESIGNATION, AND AND CIRCUIT.
- INSTALLATION DETAILS ARE FOR SCHNEIDER EV LINK #EV230PDR. EQUIPMENT FROM OTHER MANUFACTURERS IS NOT THE SAME. FOLLOW MANUFACTURER'S INSTRUCTIONS.
- CHARGING STATIONS FURNISHED BY THE DISTRICT. PROVIDE ALL OTHER MATERIALS AND ALL LABOR FOR A COMPLETE INSTALLATION.
- PROVIDE (N) CIRCUIT BREAKERS AS SHOWN. MATCH (E) STYLE AND A.I.C. RATING. DO NOT PROVIDE GFI TYPE CIRCUIT BREAKERS; GFI PROTECTION IS INTEGRAL TO CHARGING STATION.
- USE 90° FACTORY BENDS, TYPE RS OUTDOORS, FOR FIBER CONDUITS; LB TYPE FITTINGS ARE NOT ALLOWED FOR FIBER. CAST STEEL, NO ALUMINUM, LB TYPE FITTINGS ARE ALLOWED FOR POWER CONDUITS.

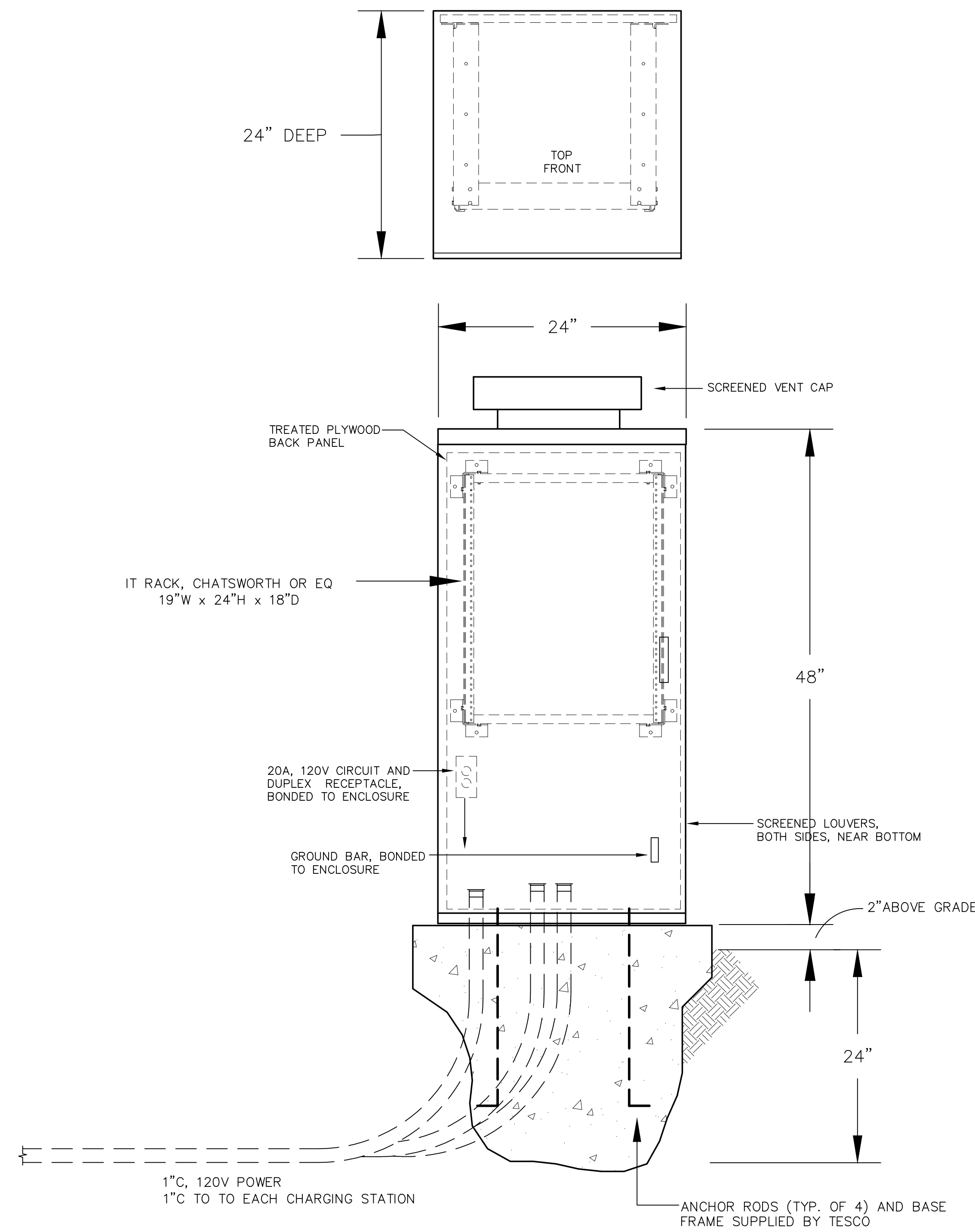
CHRISTY N16 ELECTRICAL PULLBOXES
NON TRAFFIC AREAS;
FLUSH IN PAVEMENT
2" ABOVE GRADE IN LANDSCAPING



3 TYPICAL SUBSURFACE PULLBOX N.T.S.

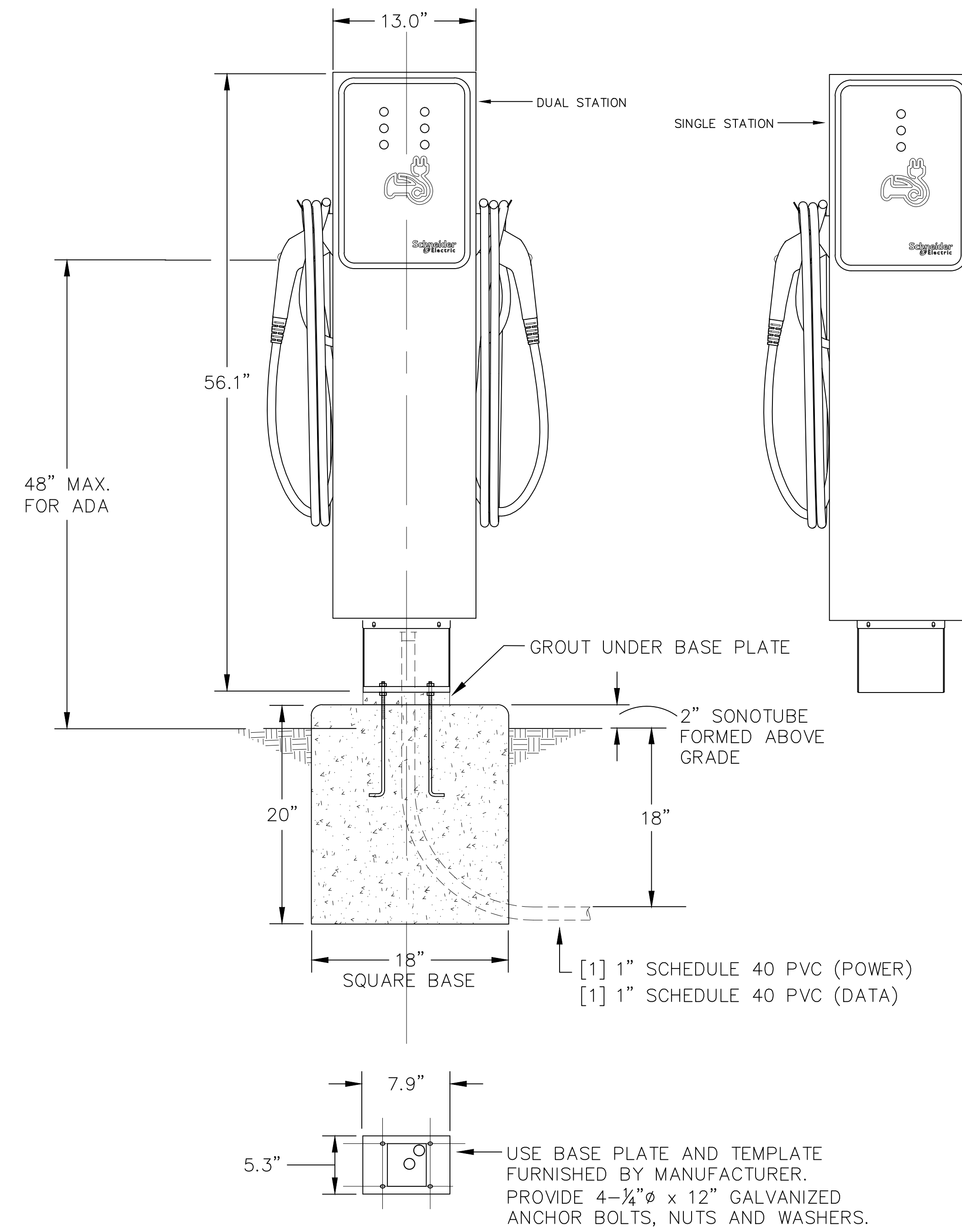


4 TYPICAL TRENCH SECTIONS N.T.S.

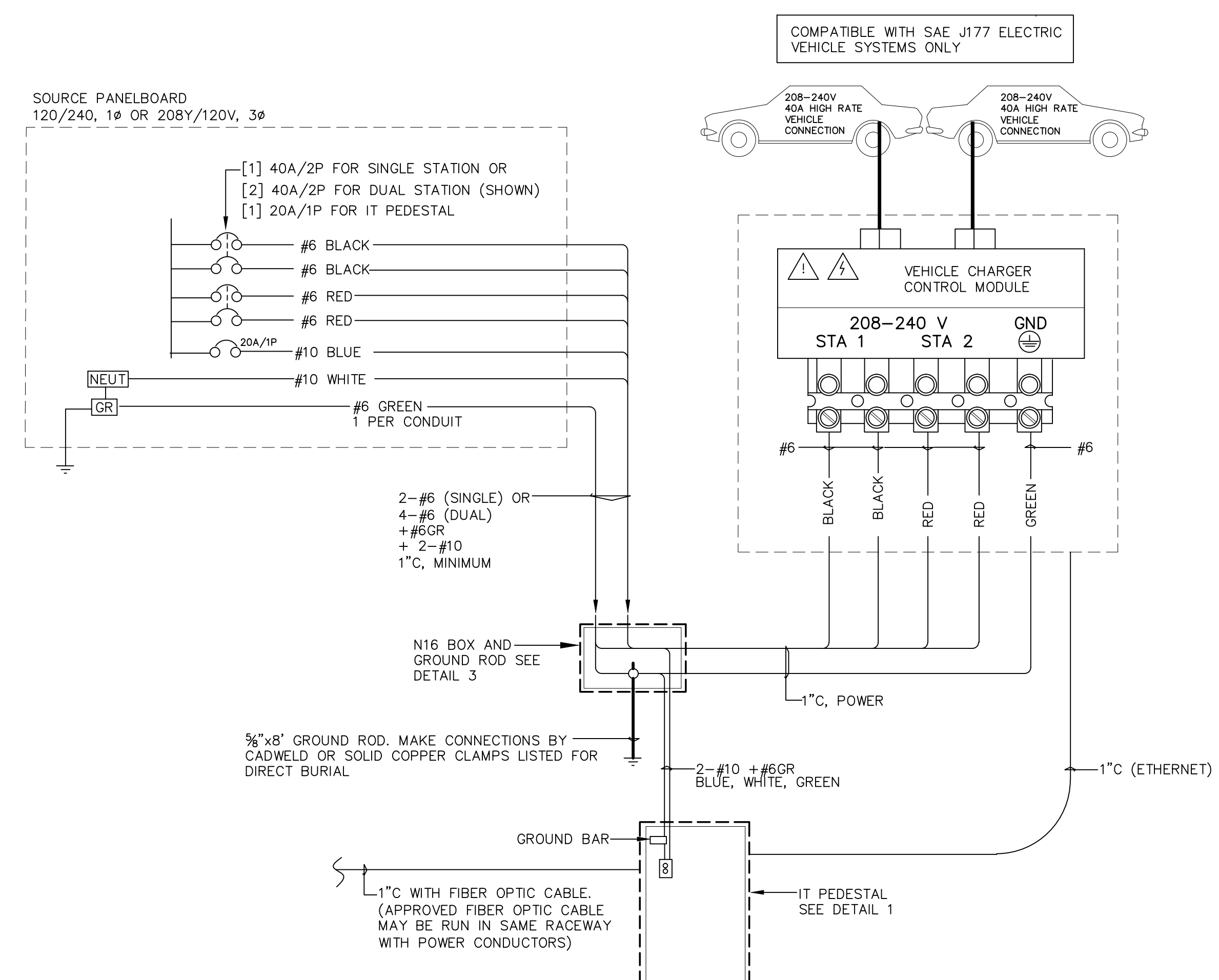


1 IT PEDESTAL N.T.S.

COLOR: TESCO STANDARD BEIGE
NEMA 3R VENTILATED PEDESTAL ENCLOSURE
TESCO CONTROLS, INC. SACRAMENTO, CA (916) 429-2817



2 CHARGING STATION INSTALLATION N.T.S.



5 CHARGING STATION WIRING N.T.S.

SHEET TITLE
ELECTRICAL PLAN AND DETAILS

REVISIONS		
NO.	DATE	DESCRIPTION

DATE: FEBRUARY 28, 2012
DRAWN: JS
CHECKED: -
SCALE: AS NOTED
JOB NO.:

SHEET NUMBER
CSM-E1