

REVISIONS	
1	
2	
3	
4	
5	
6	

COPYRIGHT © 2002
SARAMARK, INCORPORATED
THESE PLAN DRAWINGS ARE
PROPRIETARY DOCUMENTS
& ARE NOT TO BE DISTRIBUTED,
PUBLISHED OR REPRODUCED
WITHOUT THE WRITTEN
CONSENT OF SARAMARK
INCORPORATED.

EC
CONSULTING
GROUP

1550 AVANTON AVE
SUITE 200
SAN ANTONIO, TX 78210
TEL: (409) 244-5313

COLLEGE
of
SAN MATEO
SAN MATEO
UNIFIED SCHOOL
DISTRICT

SARAMARK
INCORPORATED
SERIES
NEW

310 GUY SMITH
SAR JONES CONSULTING ARCHITECTS
1615 GUY SMITH
FAC: (409) 971-2284

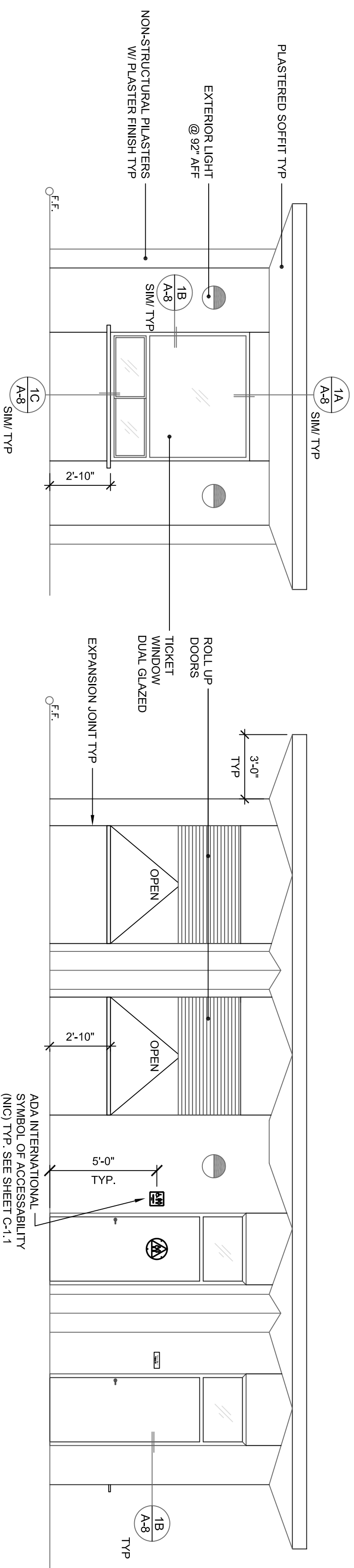


BUILDING B
HALL OF FAME
EXT. ELEVATIONS

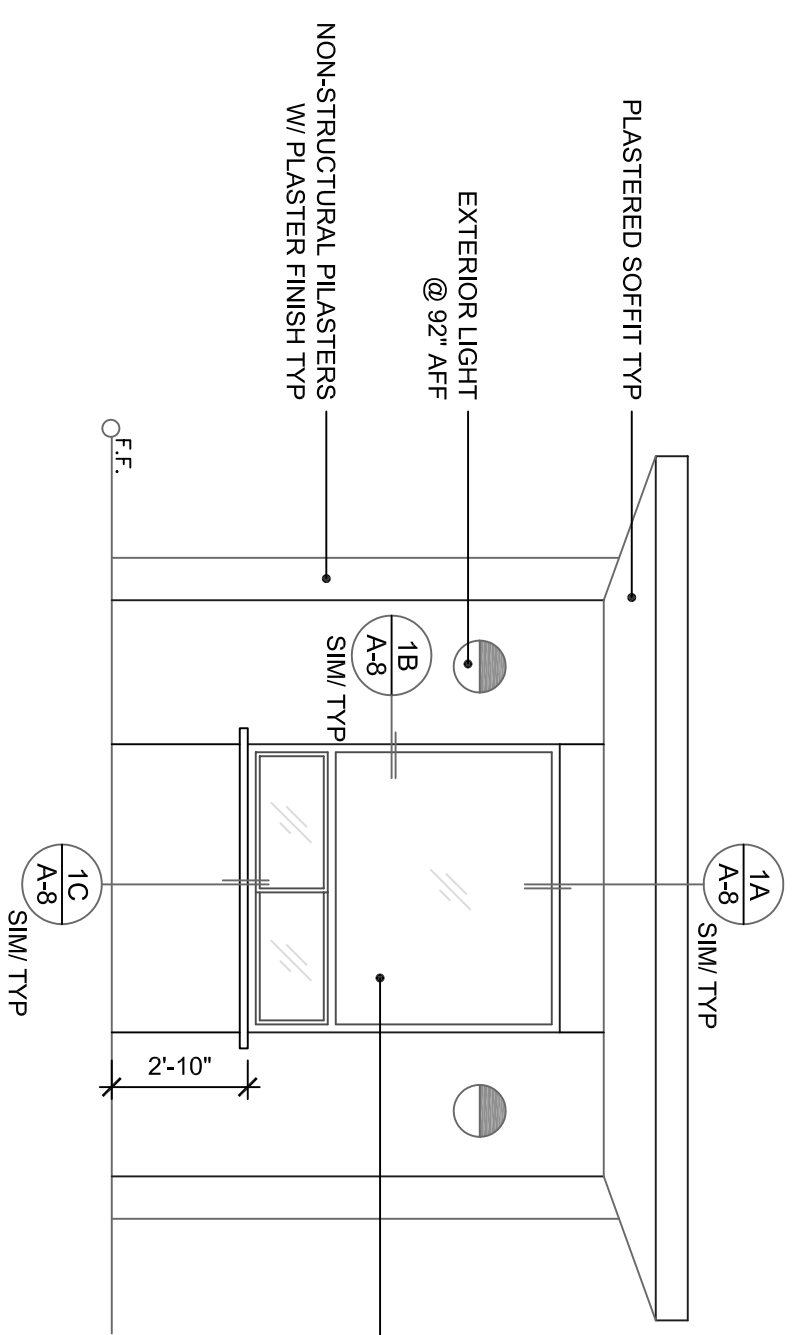
PROFESSIONAL STAMP
OFFICE OF REGULATION SERVICES
01-108848
AC: FLS SS
DATE: _____

DRAWN: ED
DATE: 4.11.07
CHECKED: FAV
SCALE: AS NOTED
PROJECT: 1615

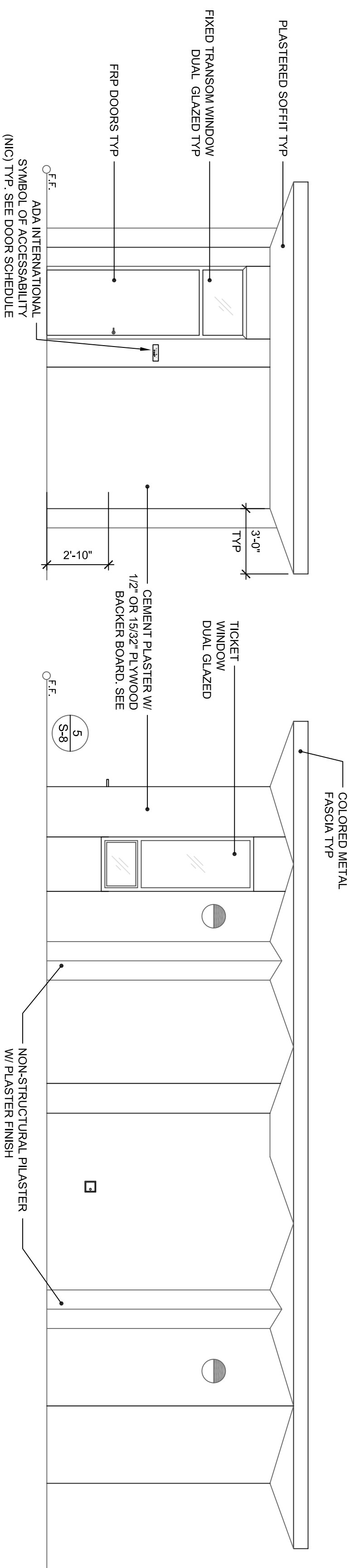
B-A-1



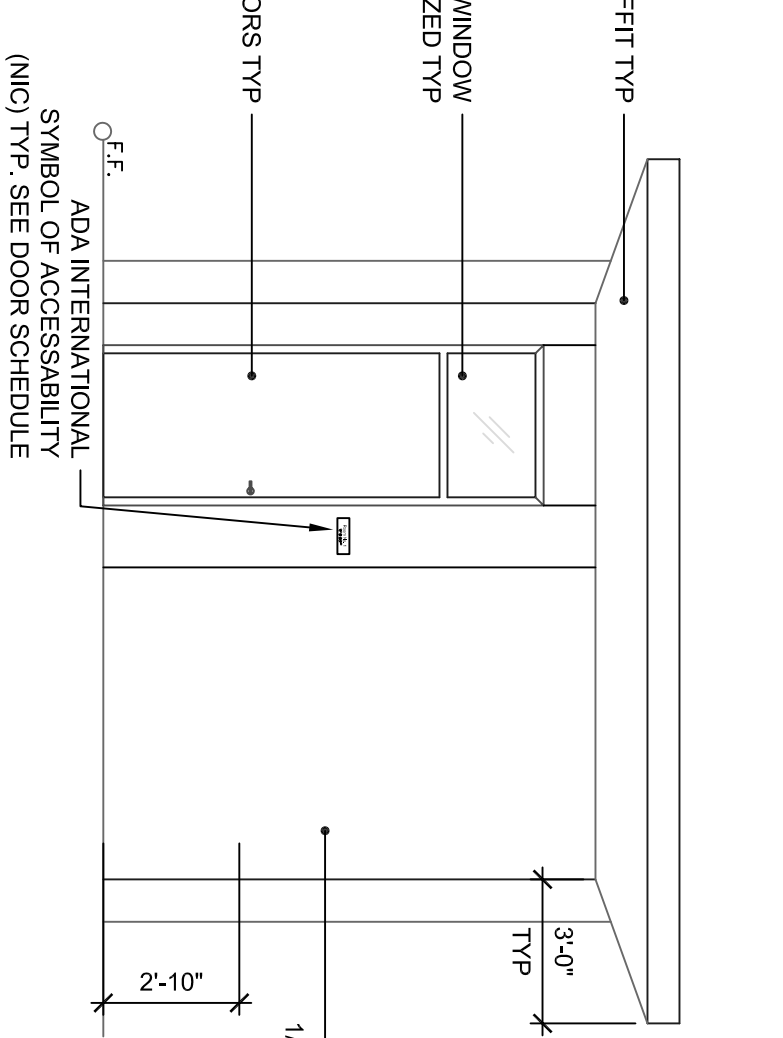
2 EAST EXTERIOR ELEVATION -
HALL OF FAME BUILDING
SCALE: 1/4" = 1'-0"



1 NORTH EXTERIOR ELEVATION -
HALL OF FAME BUILDING
SCALE: 1/4" = 1'-0"

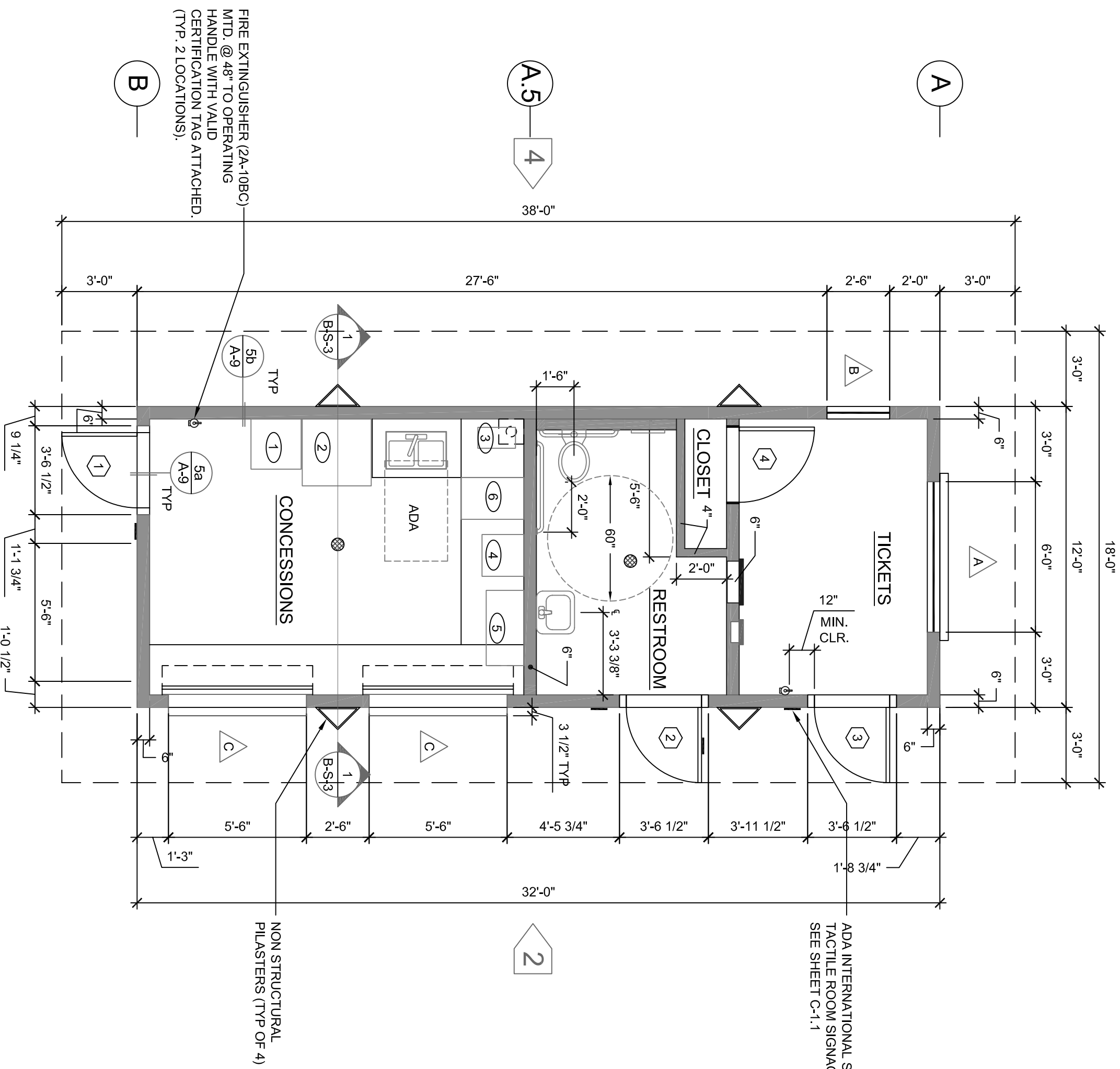
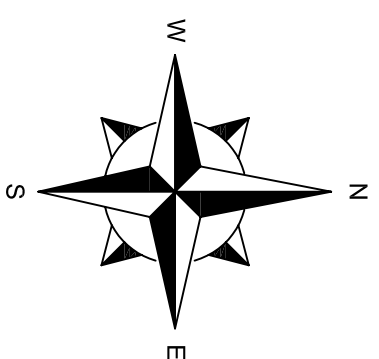


4 WEST EXTERIOR ELEVATION -
HALL OF FAME BUILDING
SCALE: 1/4" = 1'-0"



3 SOUTH EXTERIOR ELEVATION -
HALL OF FAME BUILDING
SCALE: 1/4" = 1'-0"

FLOOR PLAN - HALL OF FAME BUILDING
1/4" = 1'-0"



SHEET NOTES:

- STUCCO FINISH SHALL BE m&h 690. m&h 690 IS A PRE-BLENDED CEMENT-BASED PLASTER MIX. THE COMPONENTS ARE:
TYPE III PORTLAND CEMENT 1 PART
ASTM C-150
TYPE S HYDRATED LIME 4 PARTS
ASTM C-287
SAND

- THE m&h 690 COMPONENT PROPORTIONS ARE IN ACCORDANCE WITH THE MANUFACTURER'S RECOMMENDATIONS. SEE MANUFACTURER'S AND BROWN COATS PER 2000 IBC SECTION 2508 TABLE 25F AND 2508.8 OF PORTLAND CEMENT-LIME PLASTER.
- THE m&h 690 PRE-BLENDED GYPSUM PLASTER IS APPLIED OVER A 1/2" THICK GYPSUM BOARD. THE SYSTEM SHALL BE TO STUDS WITH #4 X 1 1/4" LONG WAFER HEAD SCREWS SPACED AT 6" O.C. HORIZONTAL AND 12" O.C. AT EACH VERTICAL STUD IN FIELD. SEE DETAIL (S-8)
- FASTER STUCCO MESH TO PLYWOOD WITH 1/2" FURRING NAILS SPACED AT 8" O.C. IN BOTH DIRECTIONS IN FIELD. SEE DETAIL (S-8)

- EXTERIOR STUCCO MESH SHALL BE 176A X 1 1/4" GALVANIZED FS-U-B-790, TYPE I, GRADE D, STYLE 2, AND U.B.C. STANDARD 14-1.
- INSTALL WESTERN #14 GALVANIZED METAL CORNER BEAD AT ALL OUTSIDE CORNERS.
- FOR ALL SIGNAGE SEE SHEET C-1.1
- REFERENCE SHEET A-00 NOTES TO BUILDING B.

DOOR SCHEDULE
BUILDING 'B'

NO.	JAMB DEPTH	DOOR TYPE	SIZE	SWING	COMMENTS
1	9"	FRPTTR*	3070 x 1 3/4"	LHR	SCHLAGE ND-70 NL
2	9"	FRPTTR*	3070 x 1 3/4"	RHR	SCHLAGE ND-85
3	9"	FRPTTR*	3070 x 1 3/4"	RHR	SCHLAGE ND-70 NL
4	7 1/2"	F1	3088 x 1 3/4"	LH	SCHLAGE ND-70

ALL EXTERIOR DOORS = F.R.P.
ALL INTERIOR DOORS = SOLID CORE P-LAM

ROOM FINISH SCHEDULE

ROOM	FLOOR FINISH	WALL FINISH	CEILING TYPE
TICKET ROOM	SEALED CONCRETE	5/8" SHEETROCK SMOOTH	FLAT T-BAR @ 8'-10"
RESTROOM	SHEET VINYL W/ CONT'S COVE	5/8" SHEETROCK SMOOTH	FLAT T-BAR @ 8'-10"
CONCESSIONS	SHEET VINYL W/ CONT'S COVE	5/8" SHEETROCK SMOOTH	FLAT T-BAR @ 8'-10"

WINDOW SCHEDULE

NO.	SIZE	STYLE	FRAME FINISH	COMMENTS	ROUGH OPENING
A	60x66	TICKET WINDOW	DISTRICT TO VERIFY	DUAL GLAZED	72x80"
B	26x70	TICKET WINDOW	DISTRICT TO VERIFY	DUAL GLAZED	30x88"
C	56x60	ROLL UP DOOR ATLAS ROLL-LITE OR EQUAL	DISTRICT TO VERIFY		65x74"