

REVISIONS

1		
2		
3		
4		
5		
6		

COPYRIGHT © 2002 TO BE USED IN THE YEARS 2003 - 2005. SARAMARK, INCORPORATED

THESE PLAN DRAWINGS ARE PROPRIETARY DOCUMENTS OF SARAMARK, INCORPORATED & ARE NOT TO BE DISTRIBUTED, PUBLISHED OR REPRODUCED WITHOUT THE WRITTEN CONSENT OF SARAMARK INCORPORATED.

EC CONSULTING GROUP

1250 AVIATION AVE
SUITE 200-F
SAN JOSE, CA 95110
TEL: (408) 294-8318

4000AX SERIES "EXPO 2001"

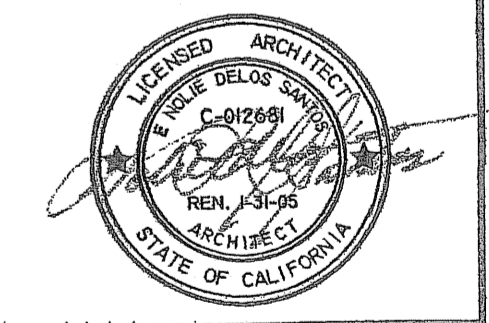
CLASSROOMS WITH 40' SPAN SCISSOR TRUSS

SARAMARK INCORPORATED

SERIES 4000AX EXPO

P.O. BOX 24389
SAN JOSE, CALIFORNIA 95124
TEL: (408) 971-3881
FAX: (408) 971-3524

TYPICAL MECHANICAL DETAILS

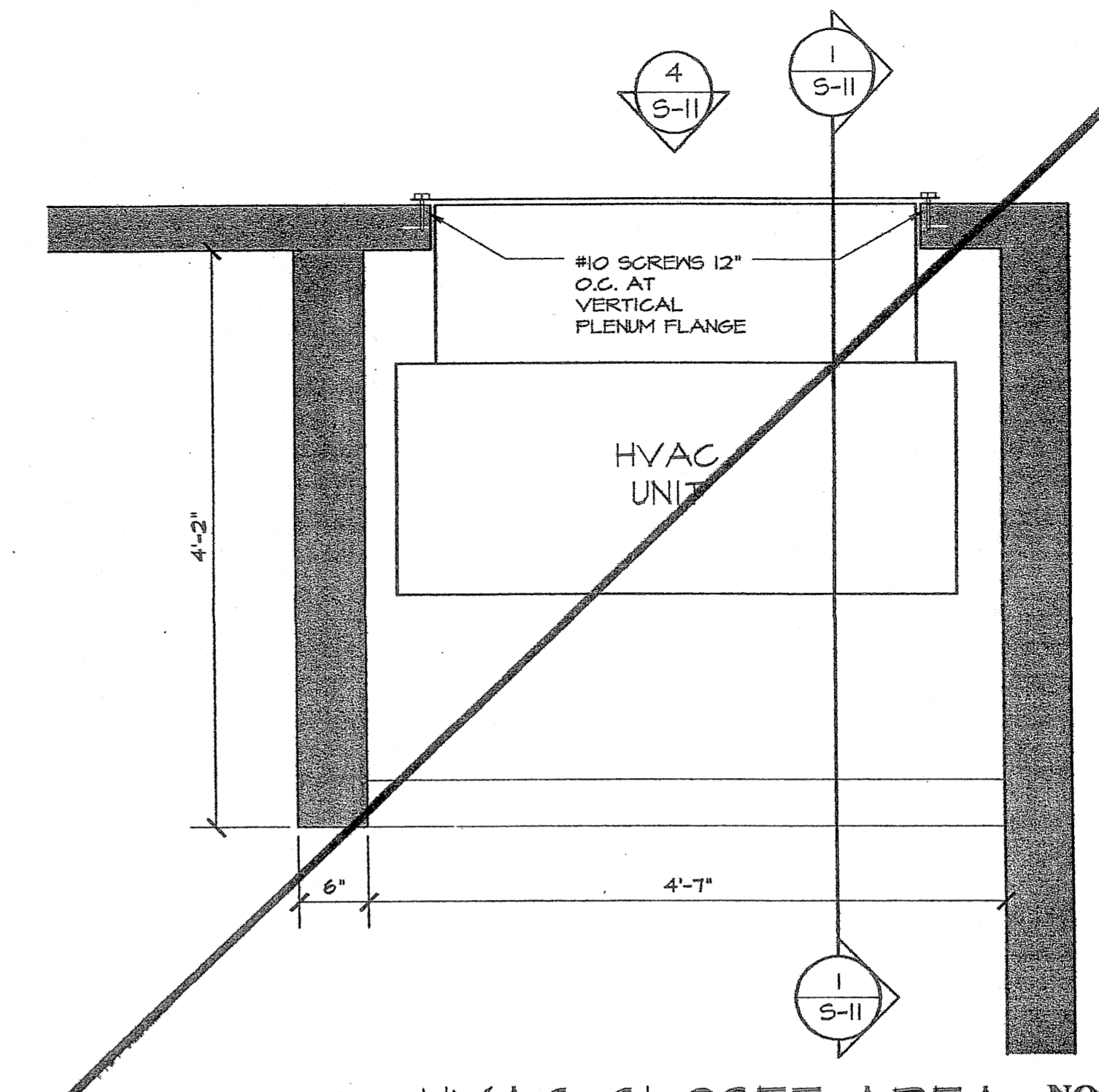


IDENTIFICATION STAMP
DIV. OF THE STATE ARCHITECT
OFFICE OF REGULATION SERVICES

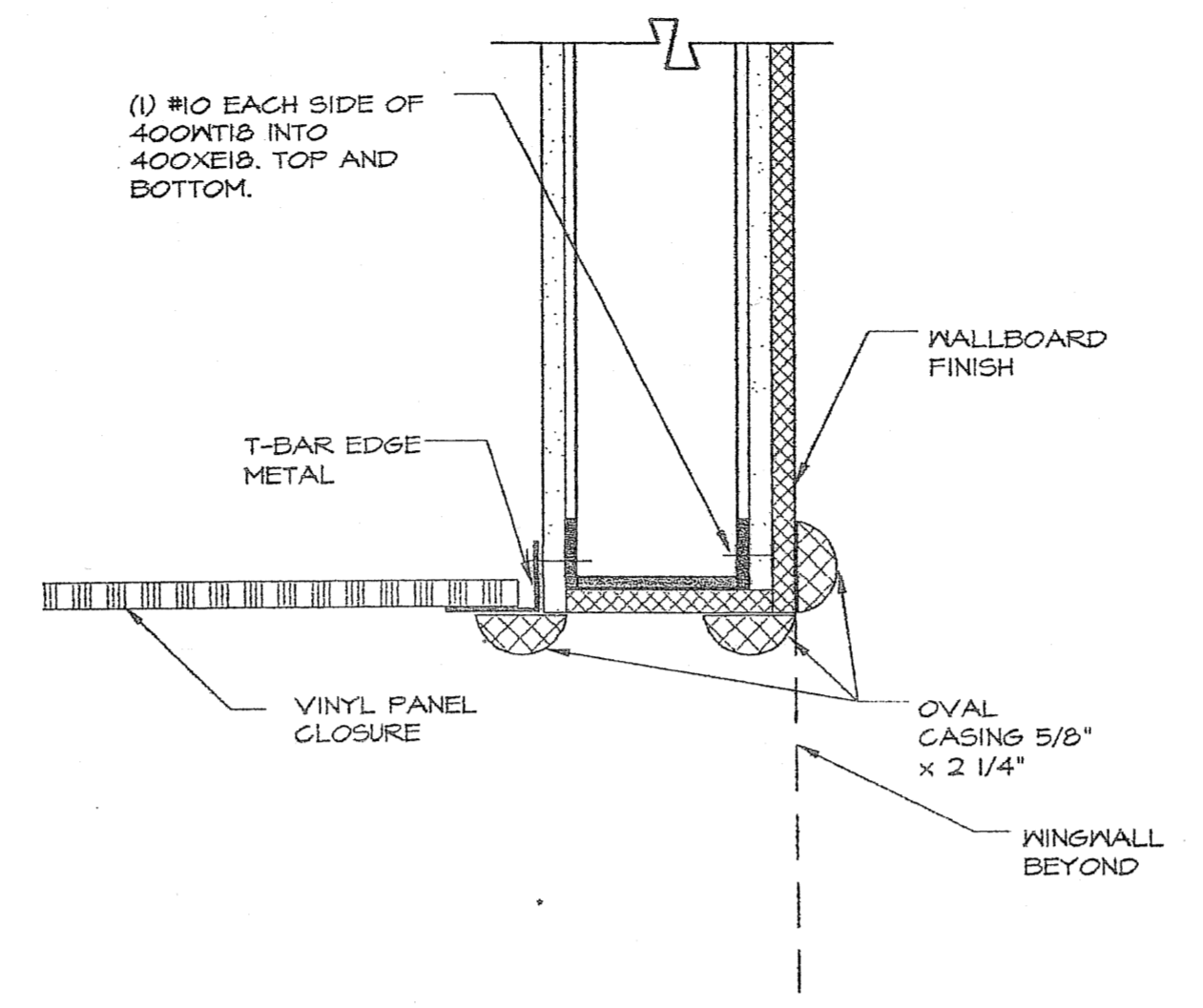
PC 01-105106
AC: FLS: SS: [initials]
DATE: JUL 17 2003

DRAWN: DESIGN TEAM
DATE: 11/15/02
CHECKED: DESIGN TEAM
SCALE: AS SHOWN
PROJECT: 1226

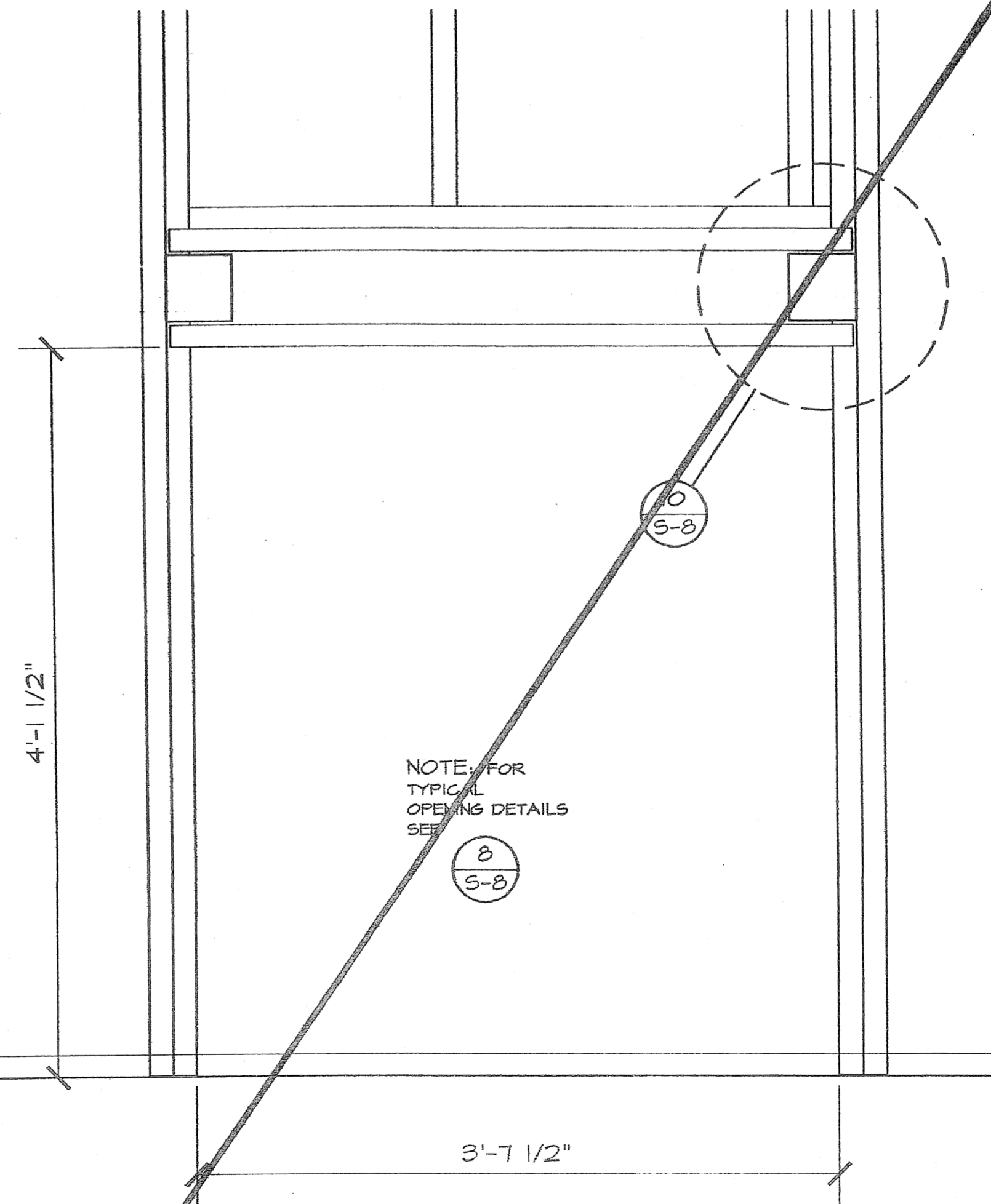
S-11



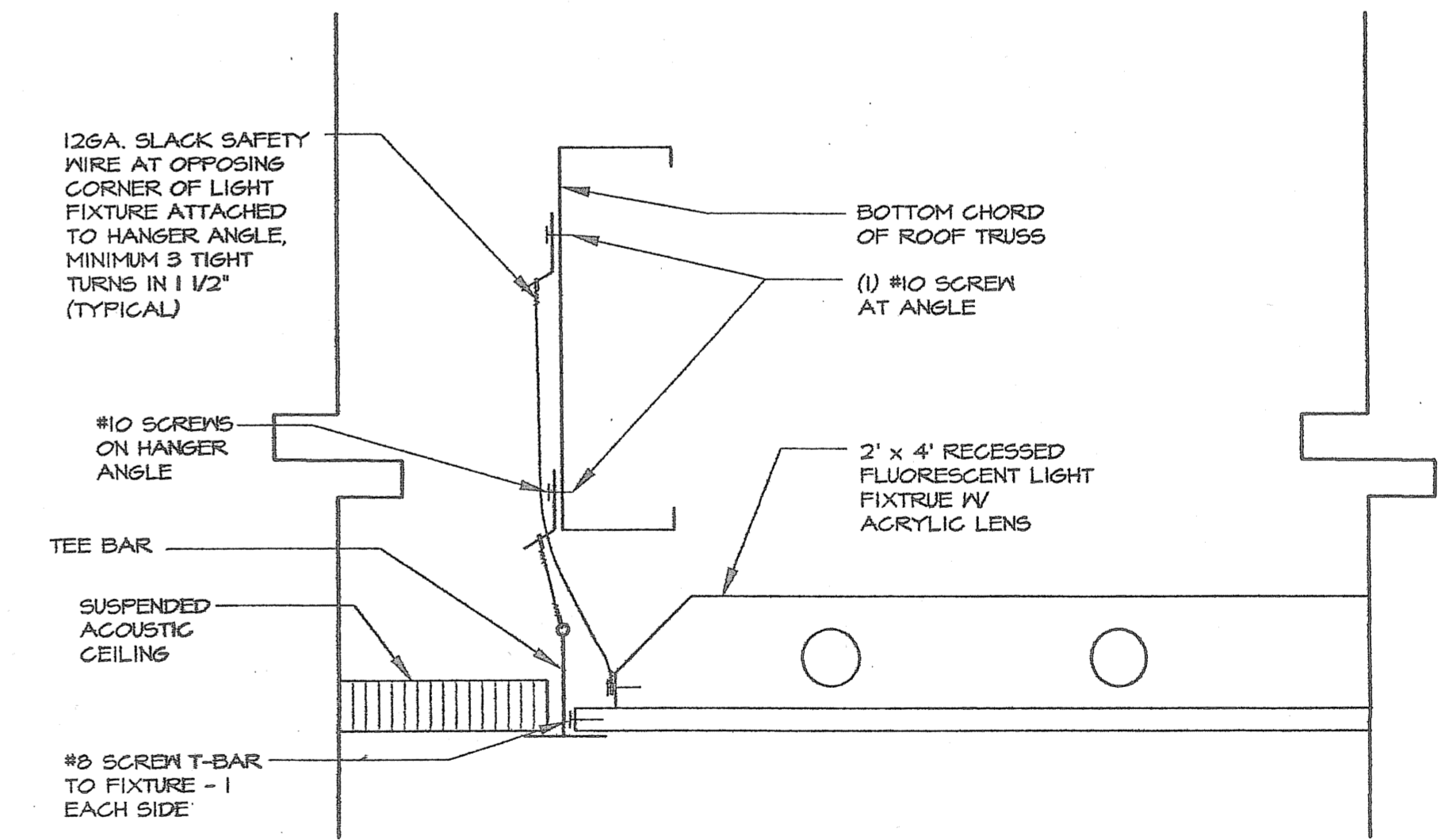
HVAC CLOSET AREA NOT USED
SCALE: 1" = 1'-0"



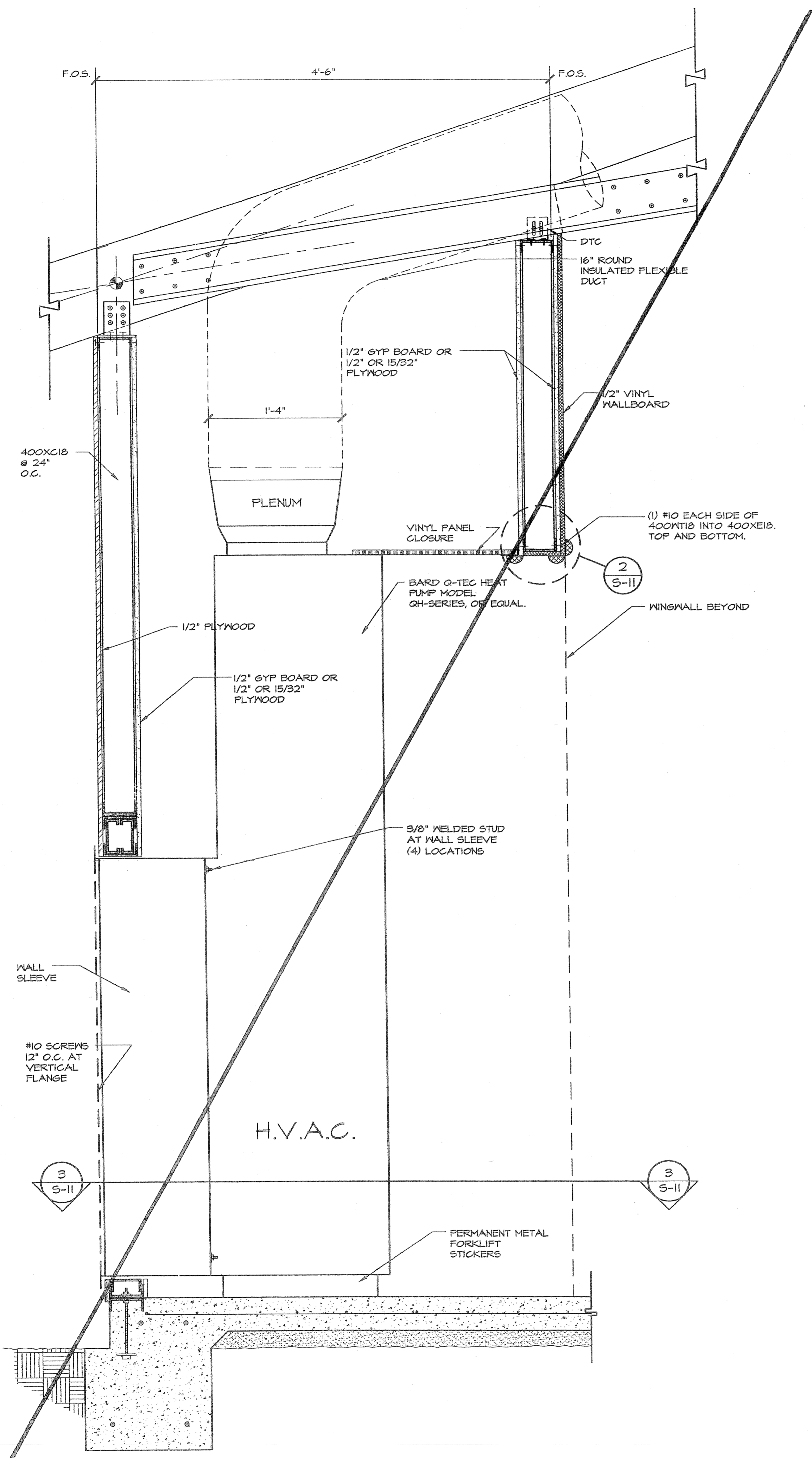
CURTAIN WALL DETAIL
SCALE: 1 1/2" = 1'-0"



EXTERIOR WALL FRAMING FOR HVAC
SCALE: 1 1/2" = 1'-0"



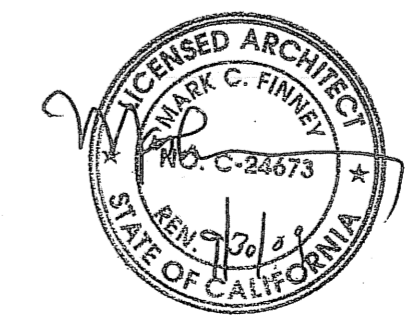
LIGHT FIXTURE TIE-OFF
SCALE: 3" = 1'-0"



HVAC VERTICAL MOUNTING
SCALE: 1 1/2" = 1'-0"

NOT USED

NOT USED



ARCHITECT OF RECORD SITE SPECIFIC APPLICATION NO.

IDENTIFICATION STAMP
DIV. OF THE STATE ARCHITECT
OFFICE OF REGULATION SERVICES

01-108848
AC: FLS: SS: [initials]
DATE: OCT 10 2002