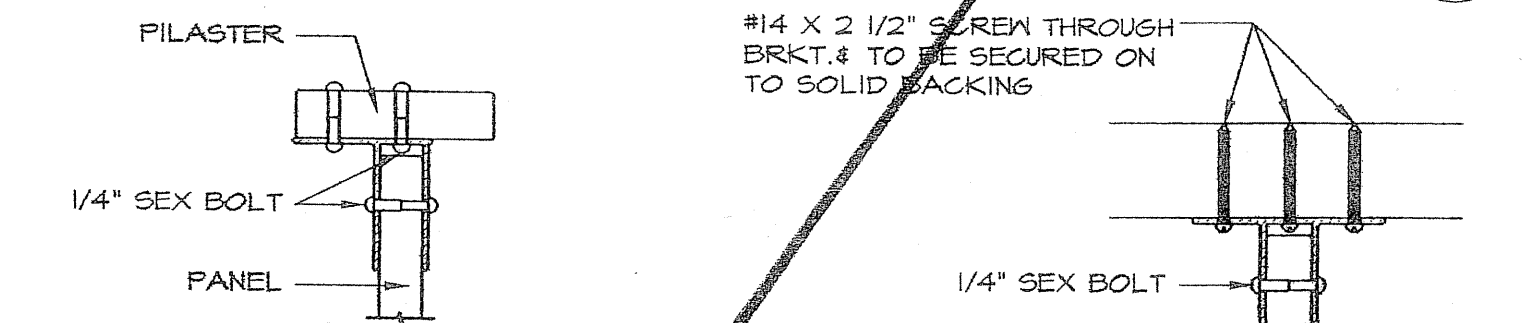


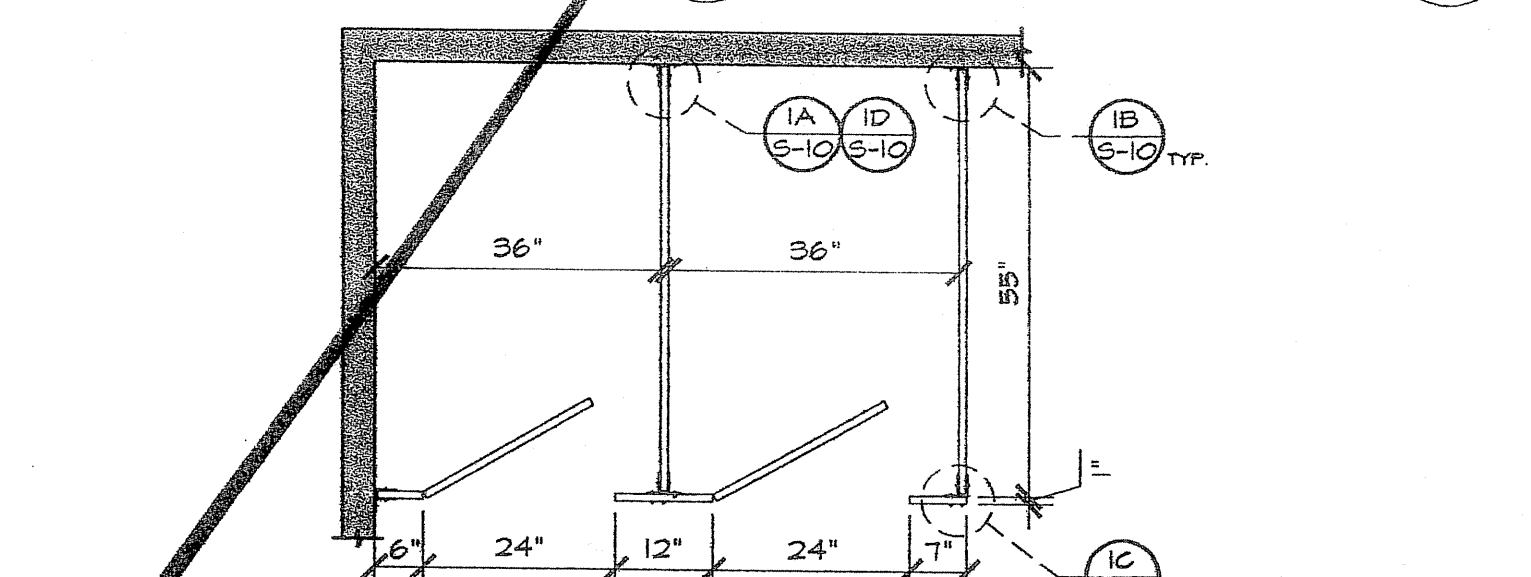
WALL BRACKET ELEVATION
SCALE: 1/2" = 1'-0"

SECTION @ END
SCALE: 3" = 1'-0"

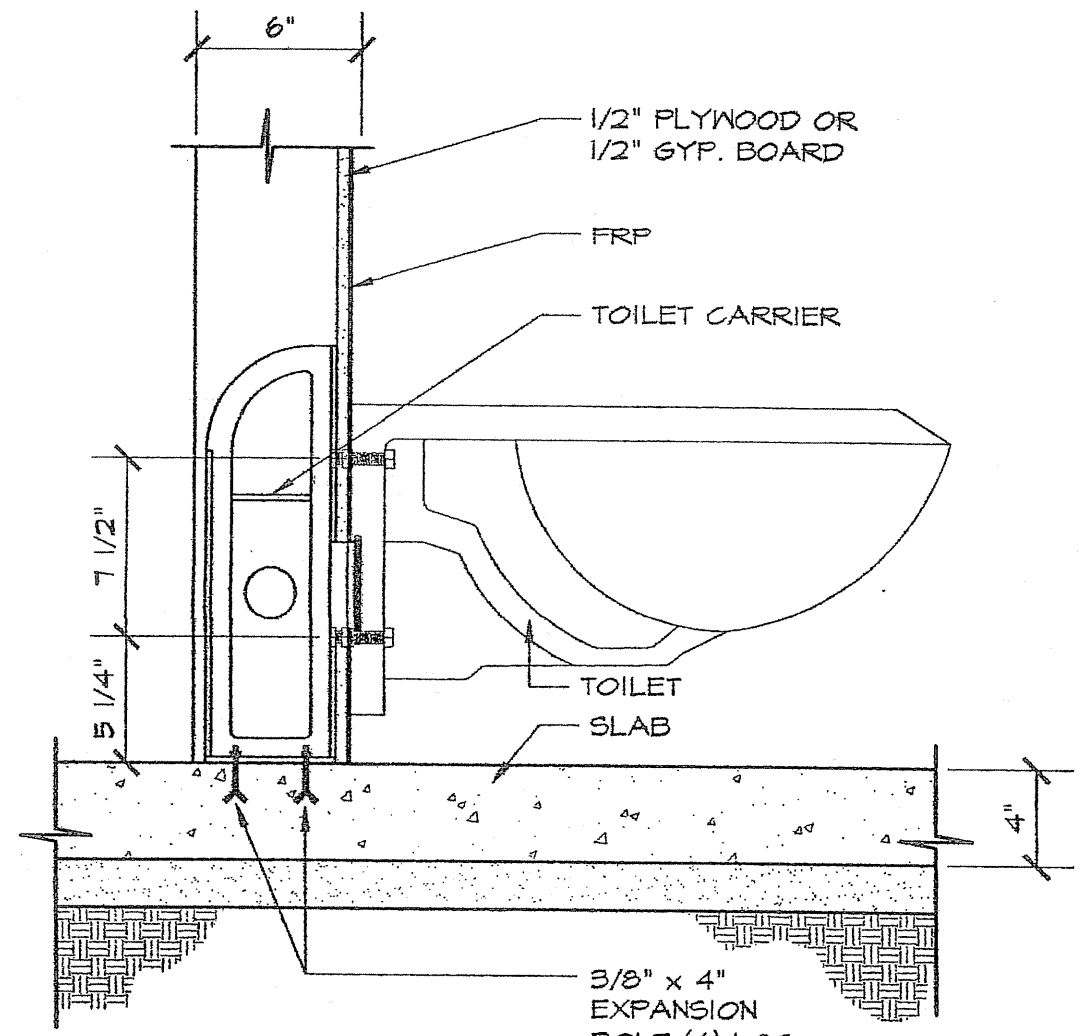


PNL. TO PILASTER CONNECTION
SCALE: 3" = 1'-0"

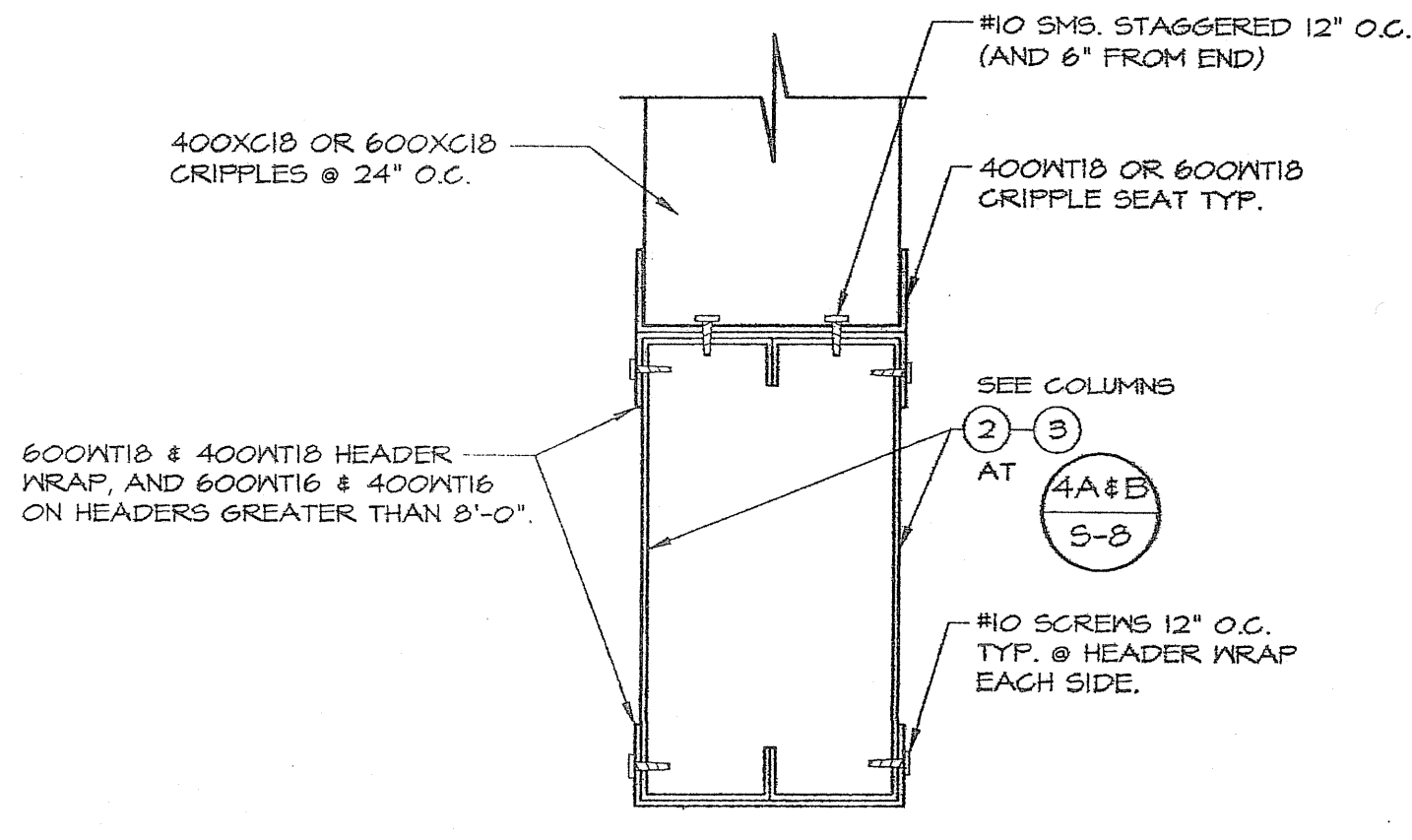
SECTION @ INT.
SCALE: 3" = 1'-0"



ADD-ALTERNATE TOILET ROOM PARTITIONS
SCALE: 1/2" = 1'-0"



ADD-ALTERNATE TOILET CARRIER ANCHORAGE
SCALE: 1 1/2" = 1'-0"



DETAIL NOTES:

- INDEPENDENT KINGSTUDS TO BE USED WITH ADD ALTERNATE HEADER FOR OPENINGS LARGER THAN 8'-0" SHALL CONSIST OF (2) 16 GA. BACK TO BACK STUDS IN DEPTH TO MATCH STUD WALL. PROVIDE 18 GA. 1 1/2" x 3" x 2 1/2" ANGLE CLIP W/ (2) #10 SCREWS EACH LEG TO CONNECT KINGSTUD TO TOP TRACK. PROVIDE A SIMPSON 5/8" x 1/4" HOLD-DOWN AT BASE W/ (1) 5/8" x 1/4" EMBED HEX HEAD ANCHOR BOLT.
- ADD ALTERNATE HEADER DESIGN DOES NOT APPLY TO PANEL 5 WITH RIDGE BRACES @ SHEETS S-4.1, S-5.1, & S-6.1 WHEN OPENINGS ARE REQUIRED IN THESE PANELS A PROTECT SPECIFIC DESIGN IS REQUIRED.

TYPICAL HEADERS SECTION & SPANS
SCALE: 3" = 1'-0"

DETAIL NOTE:
ADD ALTERNATE CHARTS AT 4A & 4B ONLY APPLY WHEN BUILDINGS ARE PLACED TOGETHER CREATING A 4" SEISMIC SEPERATION AND NOT SUBJECT TO EXTERNAL WIND LOADING.

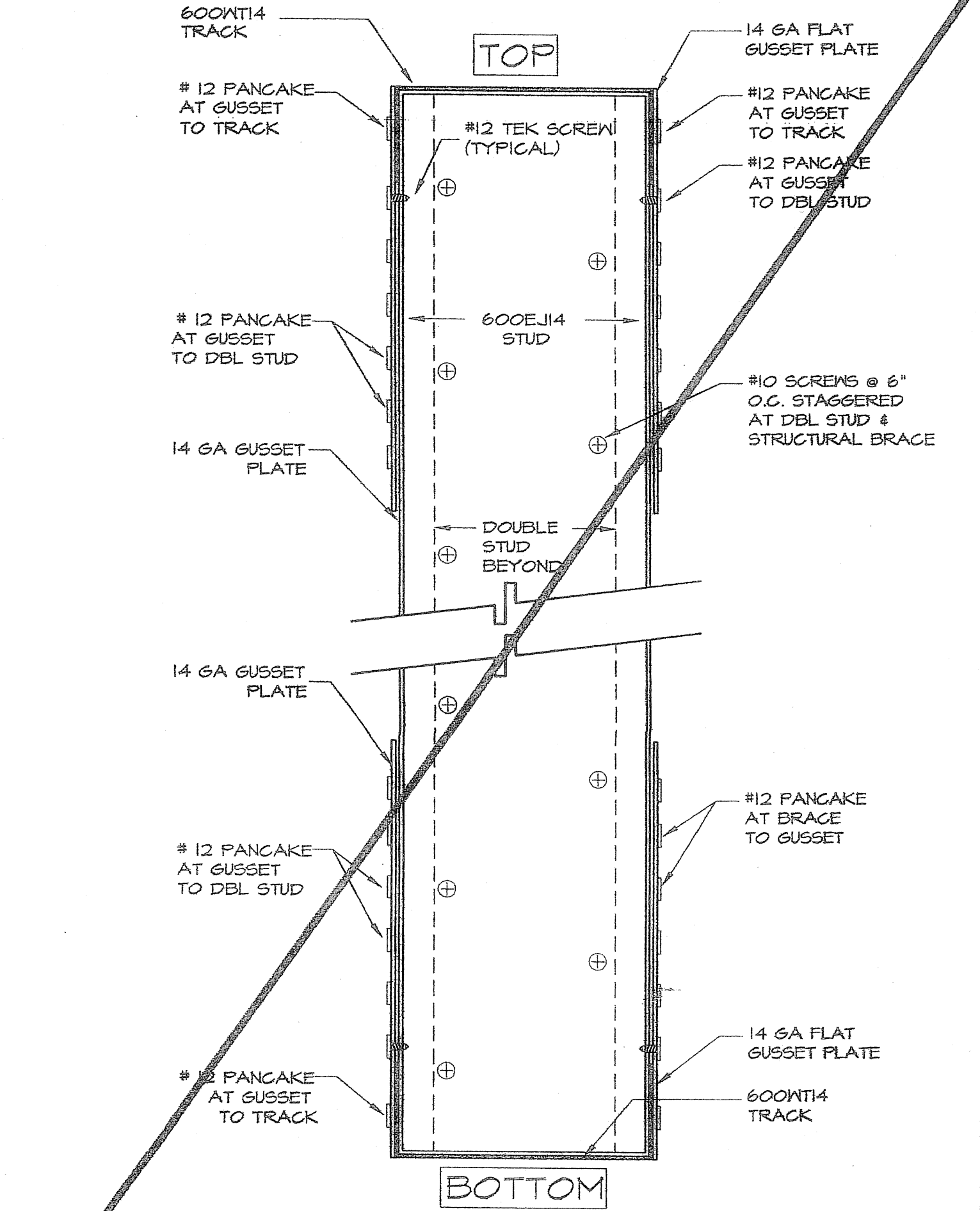
| 1 | 2 | 3 | 4 | 5 | 6 |
|-----------|------------------------|------------------------|-----------------------------|-----------------------------|--------------------|
| BEAM SPAN | REQUIRED BEAM NEW MSMA | REQUIRED BEAM OLD MSMA | REQ'D SUPPORT STUD NEW MSMA | REQ'D SUPPORT STUD OLD MSMA | REQ'D SCREW QTY. |
| 8'-0" | DBL 800S200-84 | (2) 800EJ16 | DBL 400E12-4S | (2) 400X16 | 6 - #10 EACH SIDE |
| 10'-0" | DBL 1000S200-84 | (2) 1000EJ16 | DBL 400E12-4S | (2) 400X16 | 6 - #10 EACH SIDE |
| 12'-0" | DBL 1000S200-68 | (2) 1000EJ14 | DBL 400E12-54 | (2) 400X14 | 6 - #10 EACH SIDE |
| 14'-0" | DBL 1200S200-68 | (2) 1200EJ14 | DBL 400E12-54 | (2) 400X14 | 6 - #10 EACH SIDE |
| 16'-0" | DBL 1200S200-41 | (2) 1200EJ12 | DBL 400E12-68 | (2) 400E12 | 16 - #10 EACH SIDE |

ADD ALT. HEADER DESIGN @ SIDE WALLS AND END WALLS
SCALE: NONE

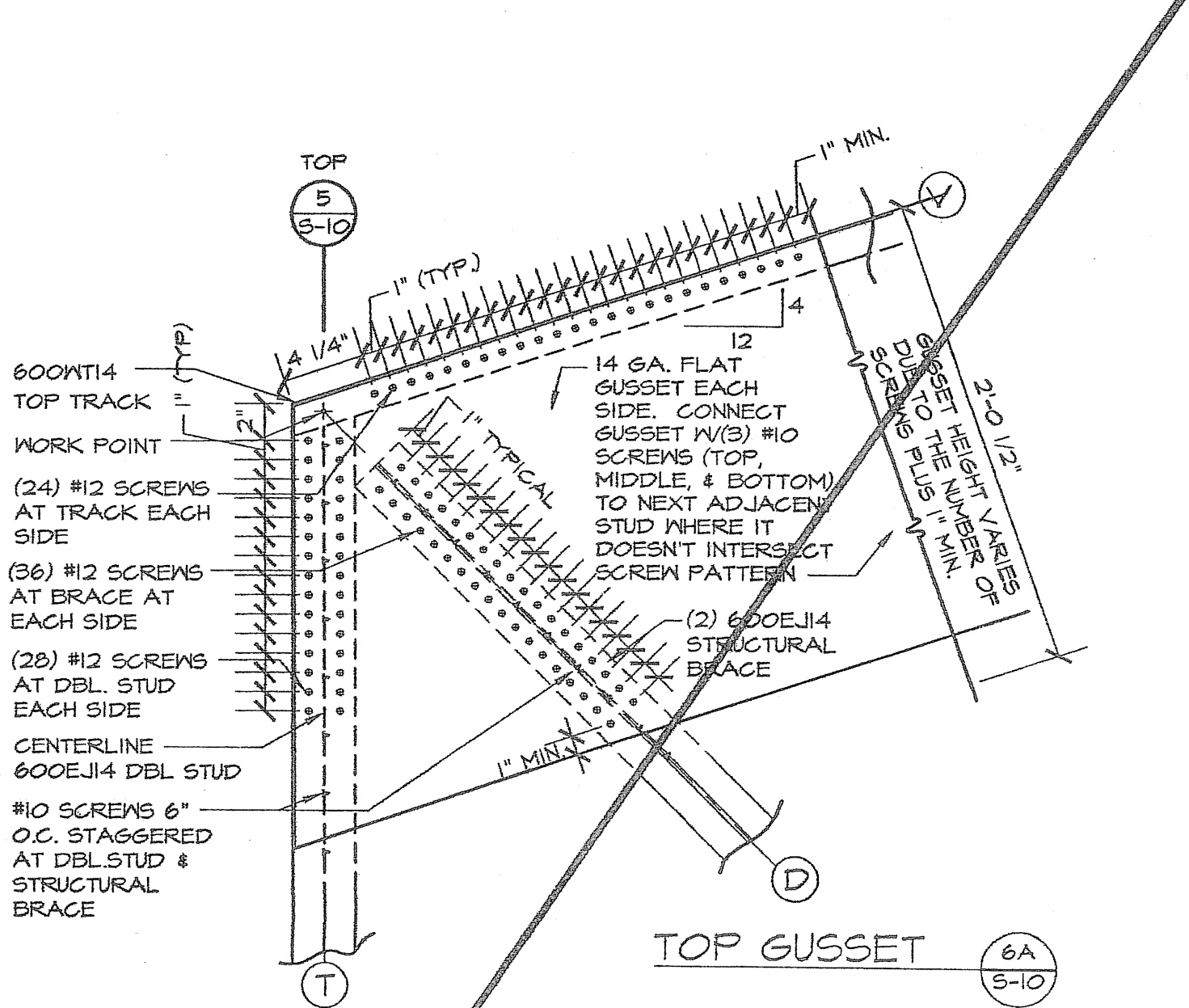
| 1 | 2 | 3 | 4 | 5 | 6 |
|-----------|------------------------|------------------------|-----------------------------|-----------------------------|--------------------|
| BEAM SPAN | REQUIRED BEAM NEW MSMA | REQUIRED BEAM OLD MSMA | REQ'D SUPPORT STUD NEW MSMA | REQ'D SUPPORT STUD OLD MSMA | REQ'D SCREW QTY. |
| 8'-0" | DBL 400S200-4S | (2) 600X18 | DBL 600E12-3S | (2) 600X20 | 6 - #10 EACH SIDE |
| 10'-0" | DBL 800S200-4S | (2) 800X18 | DBL 600E12-3S | (2) 600X20 | 6 - #10 EACH SIDE |
| 12'-0" | DBL 800S200-54 | (2) 800X16 | DBL 600E12-4S | (2) 600X16 | 6 - #10 EACH SIDE |
| 14'-0" | DBL 800S200-84 | (2) 800X16 | DBL 600E12-4S | (2) 600X16 | 6 - #10 EACH SIDE |
| 16'-0" | DBL 1000S200-68 | (2) 1000X14 | DBL 600E12-54 | (2) 600X16 | 6 - #10 EACH SIDE |
| 18'-0" | DBL 1000S200-68 | (2) 1000X14 | DBL 600E12-54 | (2) 600X16 | 6 - #10 EACH SIDE |
| 20'-0" | DBL 1200S200-68 | (2) 1200X14 | DBL 600E12-54 | (2) 600X16 | 6 - #10 EACH SIDE |
| 22'-0" | DBL 1200S200-68 | (2) 1200X14 | DBL 600E12-54 | (2) 600X16 | 6 - #10 EACH SIDE |
| 24'-0" | DBL 1200S200-41 | (2) 1200X12 | DBL 600E12-68 | (2) 600X14 | 16 - #10 EACH SIDE |

ADD ALTERNATE HEADER DESIGN @ INTERIOR NON BEARING CROSS WALLS
SCALE: NONE

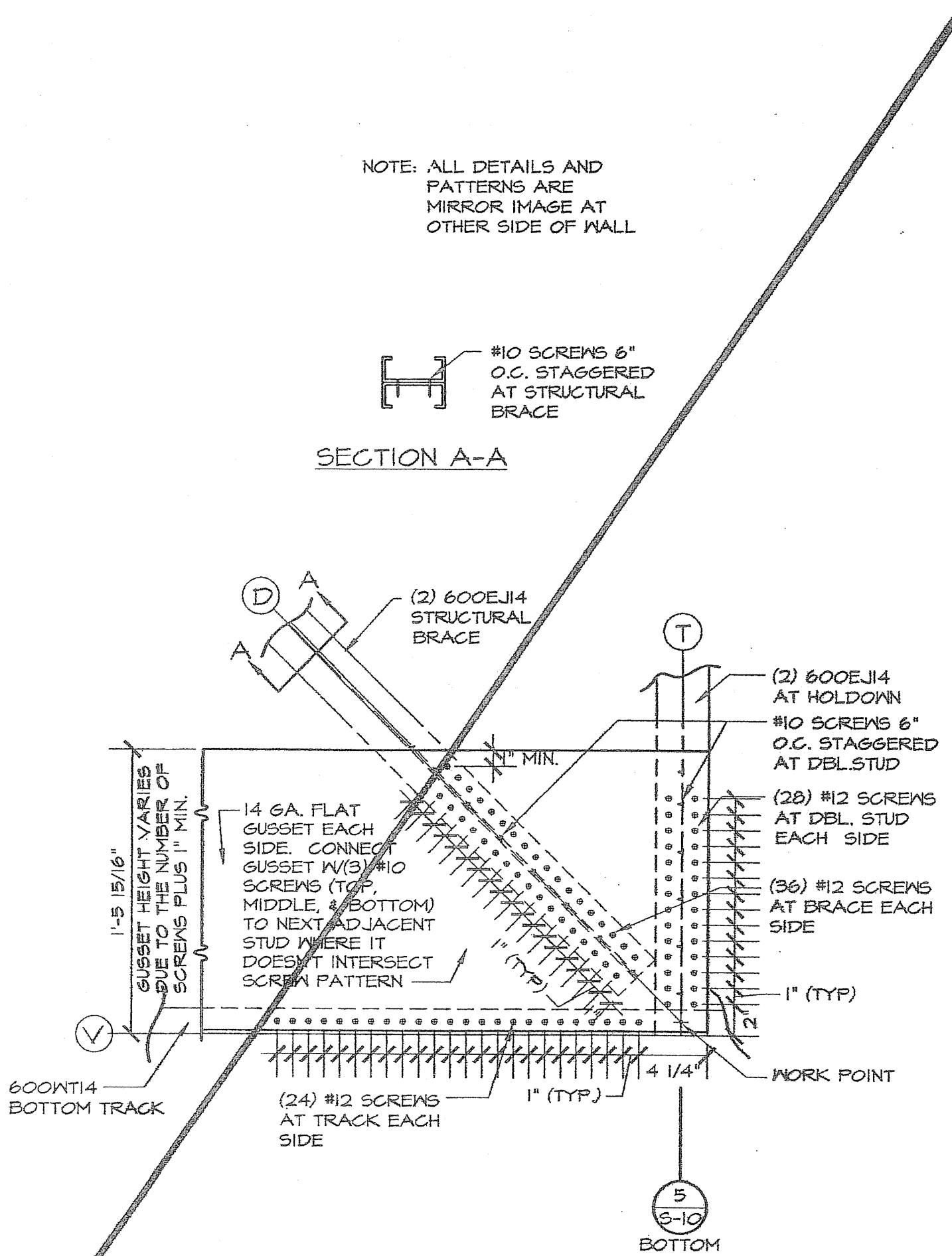
ADD ALT. HEADER DESIGNS
SCALE: NONE



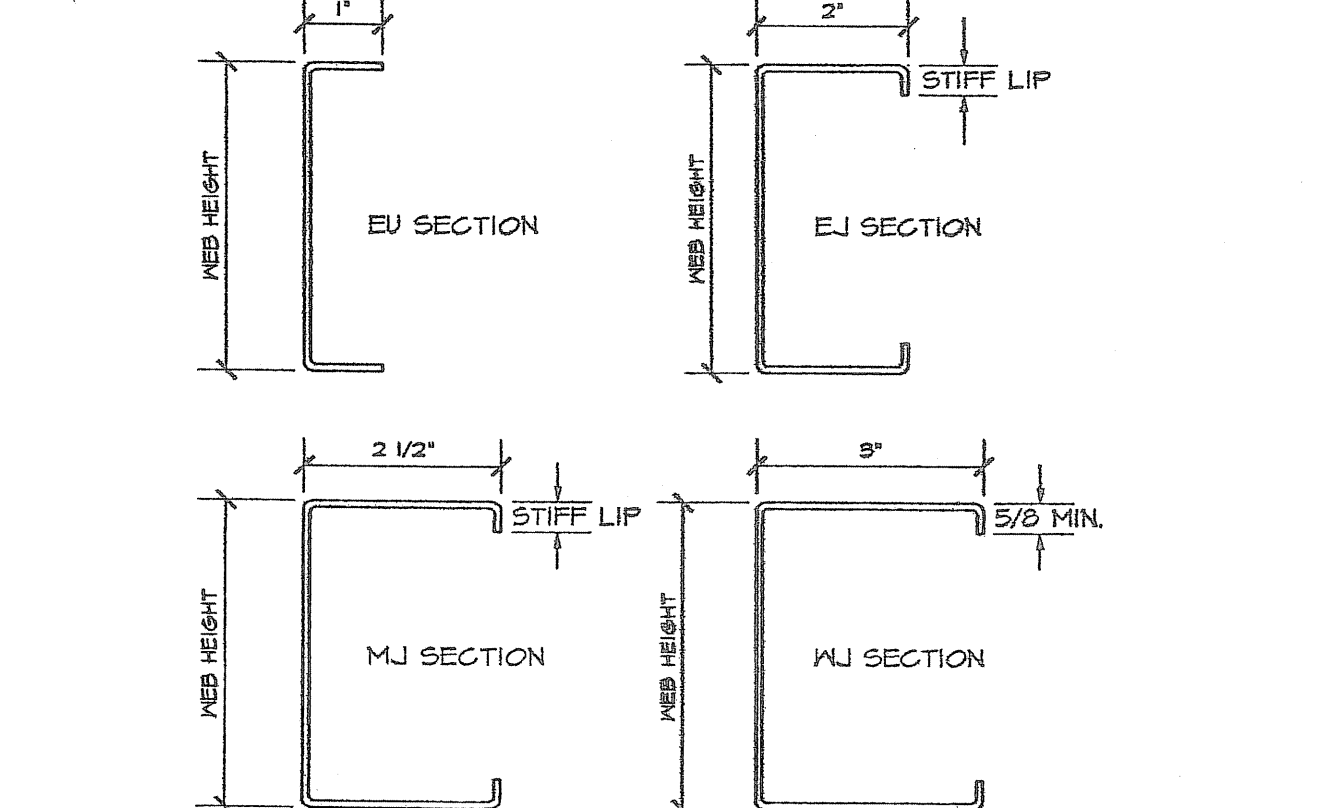
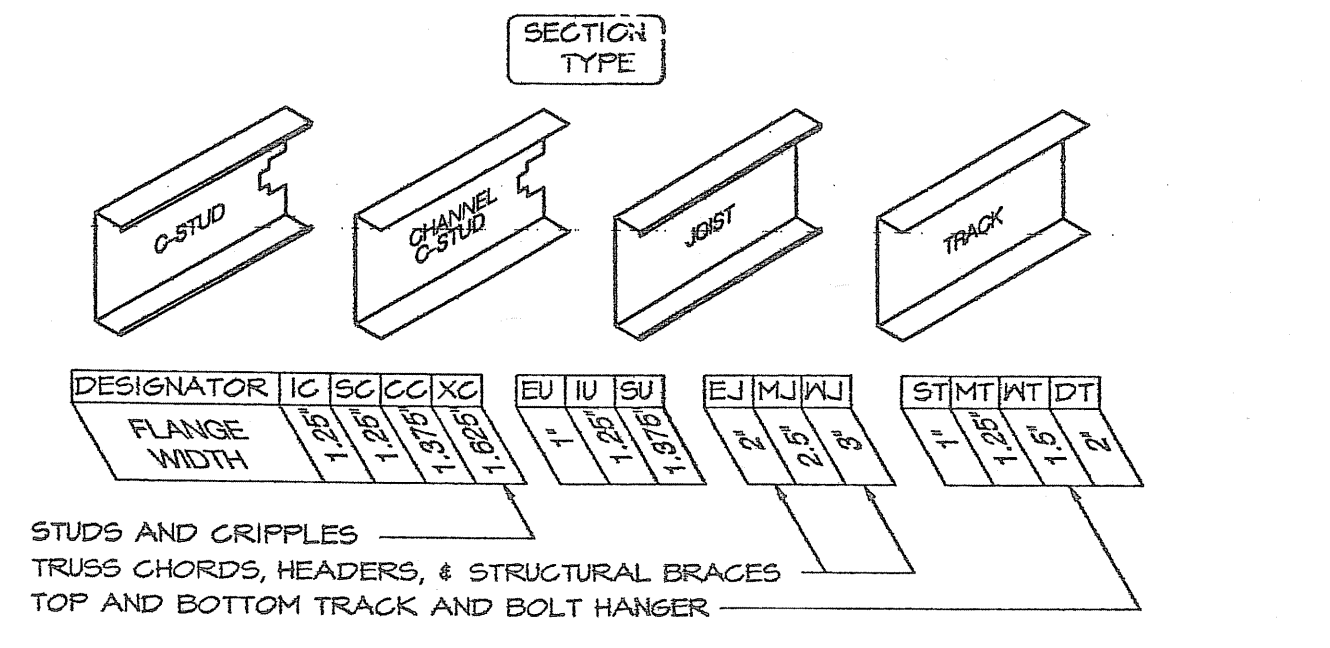
GUSSET & DOUBLE STUD AT RIGID BRACE
SCALE: 1 1/2" = 1'-0"



TOP & CENTER GUSSETS AT RIGID BRACE
SCALE: 1 1/2" = 1'-0"



BOTTOM GUSSET AT RIGID BRACE
SCALE: 1 1/2" = 1'-0"



METAL CALL-OUT GUIDE
SCALE: NONE

ARCHITECT OF RECORD: SARAFIN & FINNELL, INC. (Seal)
SITE SPECIFIC APPLICATION NO.: 01-108848
IDENTIFICATION STAMP: DIV. OF THE STATE ARCHITECT, OFFICE OF REGULATION SERVICES, DATE: OCT. 10 2007

REVISIONS

| | | |
|--|--|--|
| | | |
| | | |
| | | |
| | | |

COPYRIGHT © 2002 TO BE USED IN THE YEARS 2003 - 2005. SARAFIN & FINNELL, INC. INCORPORATED.

THESE PLAN DRAWINGS ARE PROPRIETARY DOCUMENTS OF SARAFIN & FINNELL, INCORPORATED & ARE NOT TO BE DISTRIBUTED, PUBLISHED OR REPRODUCED WITHOUT THE WRITTEN CONSENT OF SARAFIN & FINNELL, INCORPORATED.

EC CONSULTING GROUP

1280 AVIATION AVE
SUITE 200-F
SAN JOSE, CA 95110
TEL: (408) 294-5313

4000AX SERIES "EXPO 2001"

CLASSROOMS WITH 40' SPAN SCISSOR TRUSS

SARAFIN & FINNELL, INCORPORATED

SERIES 4000AX EXPO

P.O. BOX 24389
SAN JOSE, CALIFORNIA 95114
TEL: (408) 971-3811
FAX: (408) 971-3834

TYPICAL STRUCTURAL DETAILS

LICENSED ARCHITECT
SARAFIN & FINNELL, INC. (Seal)
STATE OF CALIFORNIA

IDENTIFICATION STAMP
DIV. OF THE STATE ARCHITECT
OFFICE OF REGULATION SERVICES
PC 01-105106
AC - FLS - SS
DATE: OCT 17 2007

DRAWN: DESIGN TEAM
DATE: 11/15/02
CHECKED: DESIGN TEAM
SCALE: AS SHOWN
PROJECT: 1226

S-10