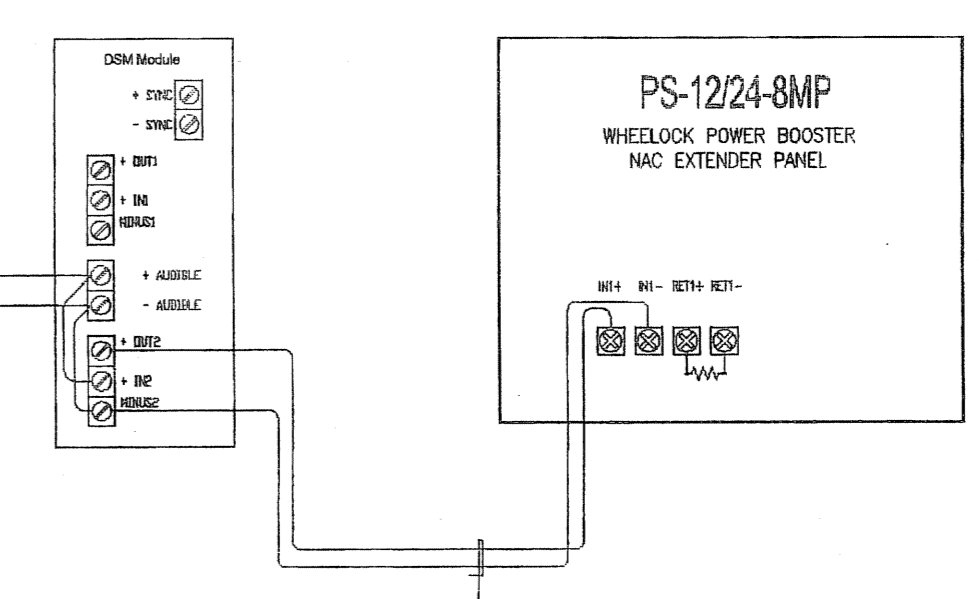
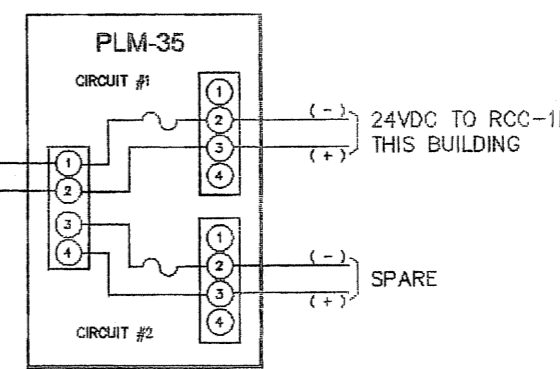
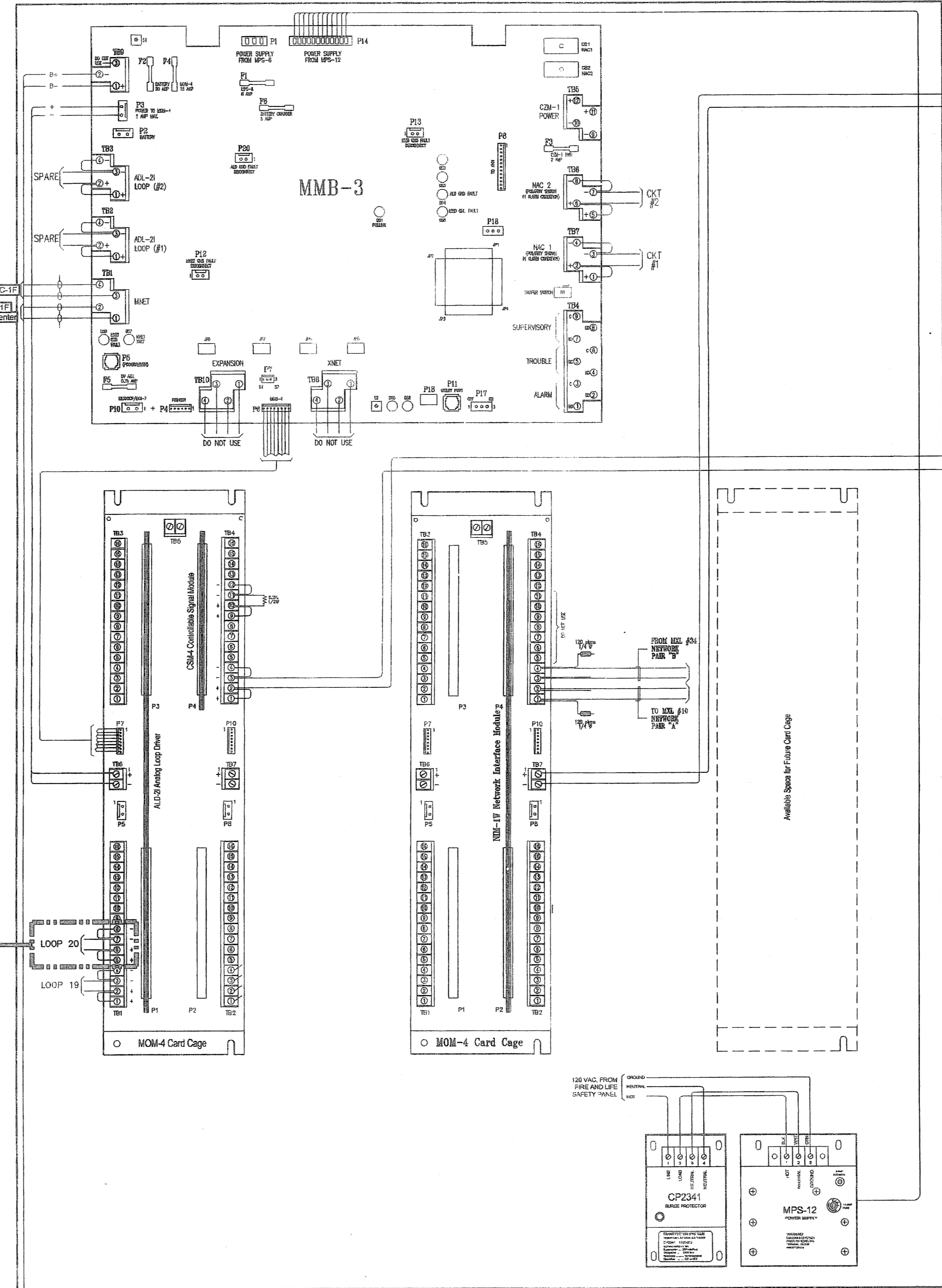
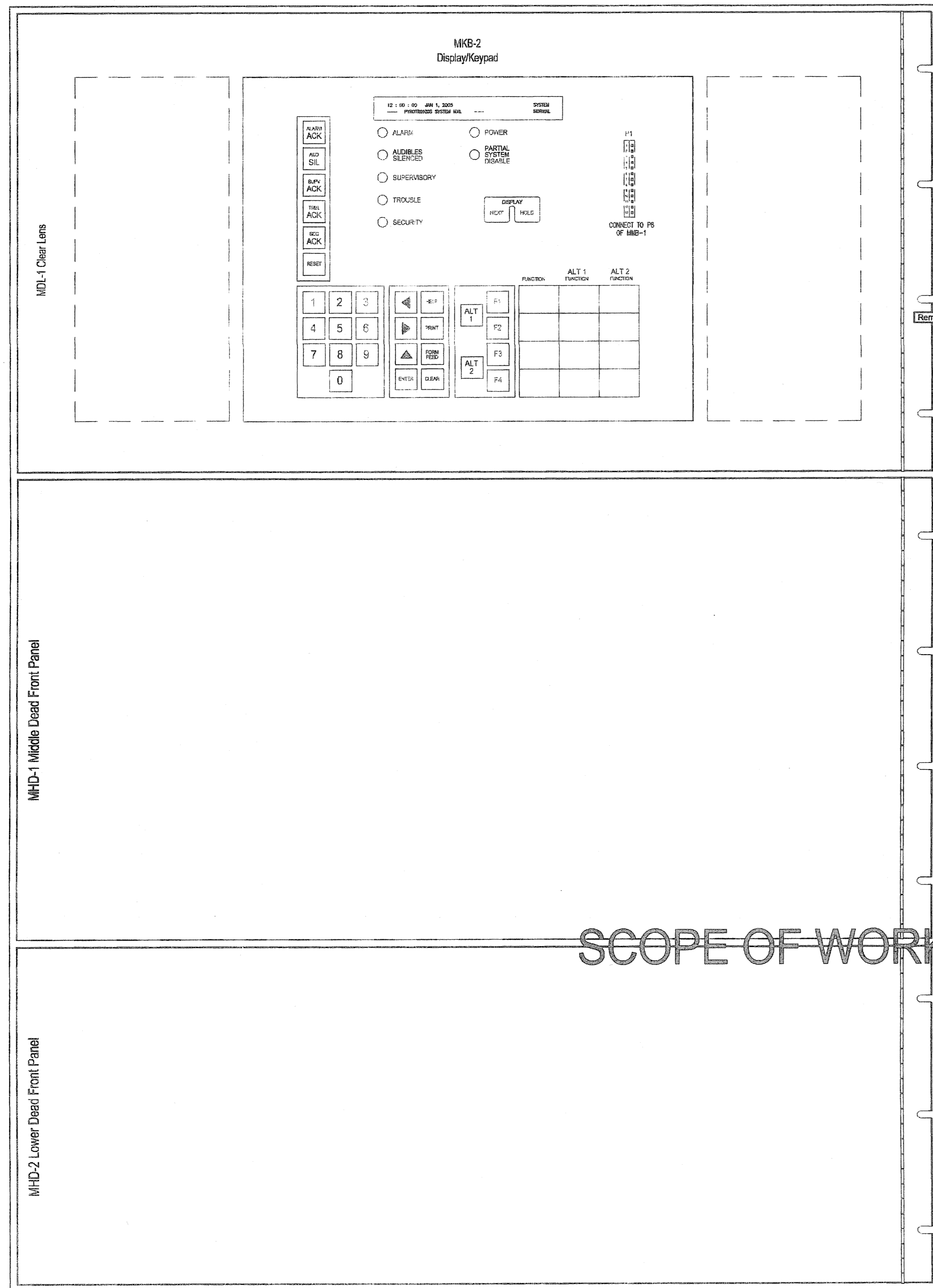


Oct 09, 2007 - 2:16pm mantolaj / c:\fss\Open\Engineering\California Projects\San Mateo\1700 West Hillsdale Boulevard - CSI\Architect Edg:02 Revised per Engineer's Co440-022170.dwg



WIRING DIAGRAM - SYNC WHEELOCK PANEL ACTIVATION DETAIL SHOWN with AUDIBLE SILENCE FEATURE

MXL REMOTE PANEL BATTERY CALCULATION				
SUPERVISORY CURRENT				
DESCRIPTION	QTY	MODULE CURRENT	DEVIC CURRENT	TOTAL ROW CURRENT
MMB-3 MAIN CONTROL BOARD	1	0.175		0.175
ALD-2 ANALOG LOOP DRIVER	1	0.105		0.105
ALD LOOP (1.1mA per device)	2		0.088	0.176
CSM-4 CONTROL MODULE SIGNAL MODULE	1	0.010		0.010
NAC CIRCUIT #1 AND #2	2		0.012	0.024
MM-1N NETWORK INTERFACE MODULE	1	0.150		0.150
RCC-VIF REMOTE COMMAND CENTER	1	0.075		0.075
TOTAL SUPERVISORY CURRENT (AMPS)				0.871
NOTIFICATION CIRCUITS				
TOTAL CRT CURRENT LOAD				0.5
TOTAL ALARM CURRENT (AMPS)				0.5
SUBSIDIARY				
A = TOTAL SUPERVISORY CURRENT x SUPERVISORY TIME REQUIRED = 0.871 AMPS x 24 HR = 20.904 (AMP-HR)				
B = TOTAL ALARM CURRENT x ALARM TIME REQUIRED = 0.5 AMPS x 0.5 HR = 0.25 (AMP-HR)				
C = A + B = 21.154 (AMP-HR)				
BATTERY PROVIDED... UB12550 (2) BATTERY SIZE... 66 (AMP-HR)				
TOTAL SYSTEM REQUIRED (A+B) = 21.154 AMP-HOUR				
BATTERY RESERVE AFTER 24 HOURS SUPERVISORY & 5 MINUTES ALARM (AMP-HOUR) = 38.655 AMP-HOUR				

(E) MXL PANEL - LOOP SCHEDULE			
LOOP NUMBER	PANEL	LOOP DESCRIPTION	LOCATION
LOOP 19	MXL	INITIATING DEVICES	BUILDING 35
LOOP 20	MXL	INITIATING DEVICES	SOFTBALL TEAM ROOM

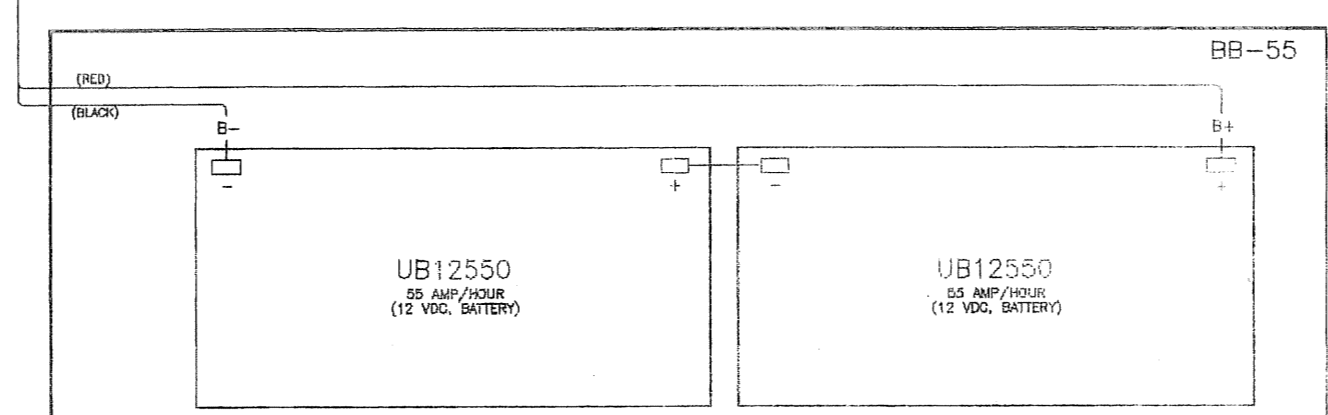
SCOPE OF WORK

SCOPE OF WORK-L

MXL PANEL ENCLOSURE CONSISTING OF:  
MKB-2 Backdoor  
MDR-2 Door

MXL PANEL ENCLOSURE CONSISTING OF:  
MMB-3 Backdoor  
MDR-2 Door

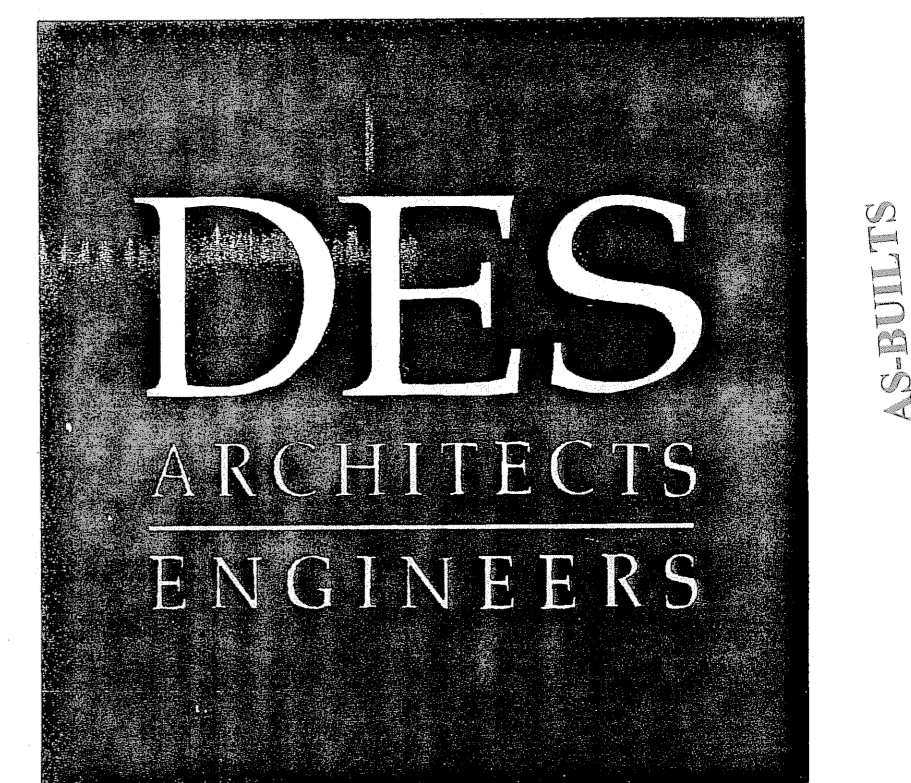
MXL Internal View



Battery Box Internal View

EXISTING MXL - FIRE ALARM CONTROL PANEL  
(Located in Building 35, College of San Mateo)

HIGHLIGHTED ITEMS ARE CONSIDERED  
**NEW SCOPE OF WORK**



399 Bradford Street Redwood City, Ca. 94063  
Tel: (650) 364-6453  
Fax: (650) 364-2618  
www.des-ae.com

**SIEMENS**  
Building Technologies, Inc.  
Fire Safety Division  
SAN FRANCISCO BRANCH  
25821 Industrial Boulevard, Suite 300  
Hayward, California 94545-2991  
Tel (510) 783-6000 Fax (510) 293-2100  
California State C-10 License No. 758796  
U.L. Certificate ID No. 324787-001

**ROBERT A. BOTHMAN, INC.**  
General Engineering and Building Contractors  
650 QUINN AVENUE  
SAN JOSE, CA. 95112  
Ph: (408) 279-2277  
Fax: (408) 279-2281

**SAN MATEO COUNTY COMMUNITY COLLEGE DISTRICT ATHLETIC FIELDS PHASE 2**  
COLLEGE OF SAN MATEO  
SOFTBALL FIELD TEAM ROOM & FOOTBALL HALL OF FAME  
San Mateo, Ca. 94402  
1700 W. Hillsdale Blvd.  
**(E) MXL CONTROL PANEL**

ISSUE / DATE	DESCRIPTION
DSA 04/26/07	DSA SUBMISSION

DRAWN BY: JOVEN MANLUTAC & JERI FABIAN  
REVIEWED BY: KELLY ROGERS  
APPROVED BY: KELLY ROGERS  
SIEMENS JOB NO.: 440P-022170

IDENTIFICATION STAMP  
DIVISION OF THE STATE ARCHITECT  
APPL #: 01-108848  
FILE #: 41-01  
DATE: OCT 10 2007



SHEET NO. **FA0.02**