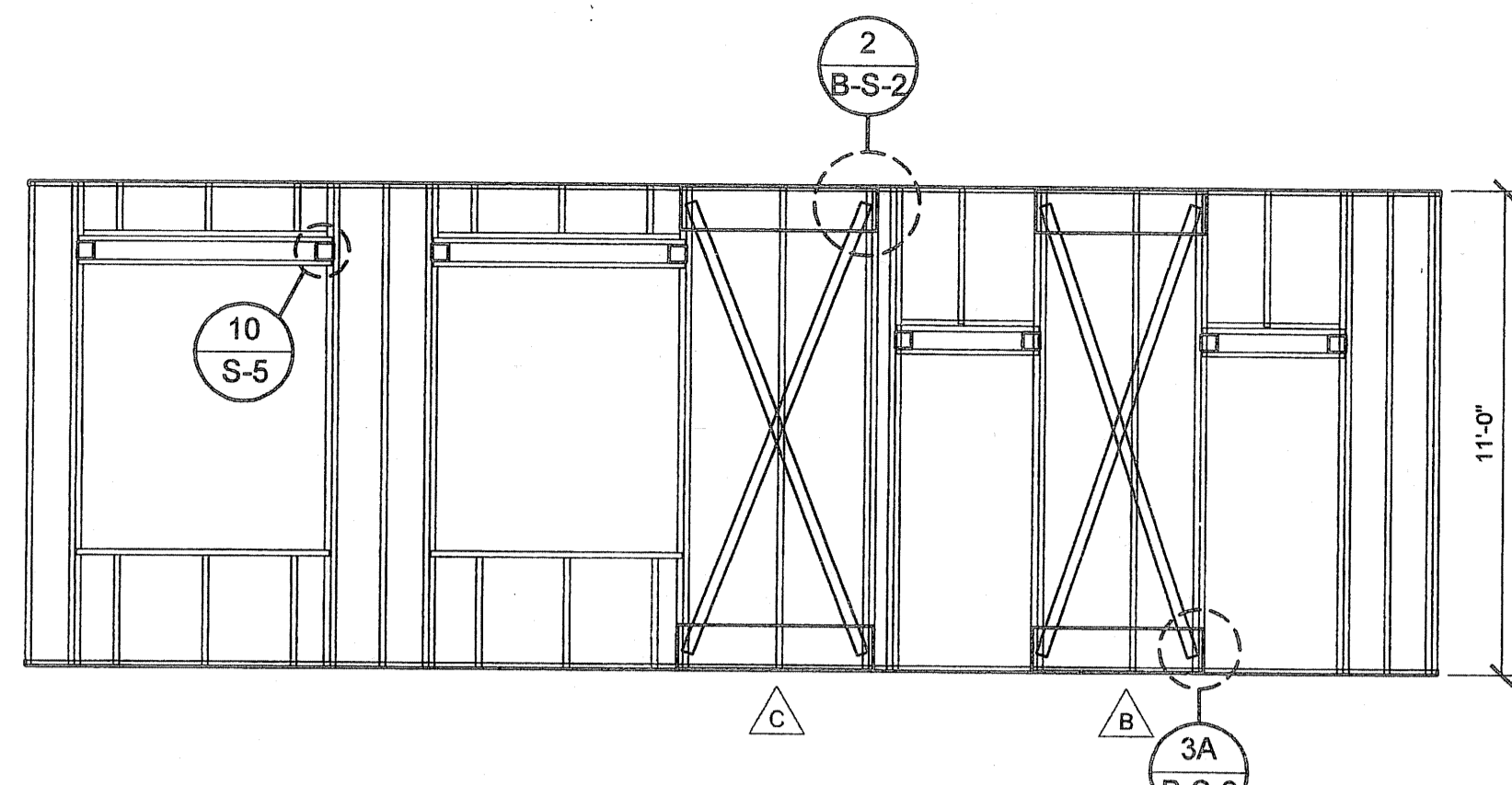
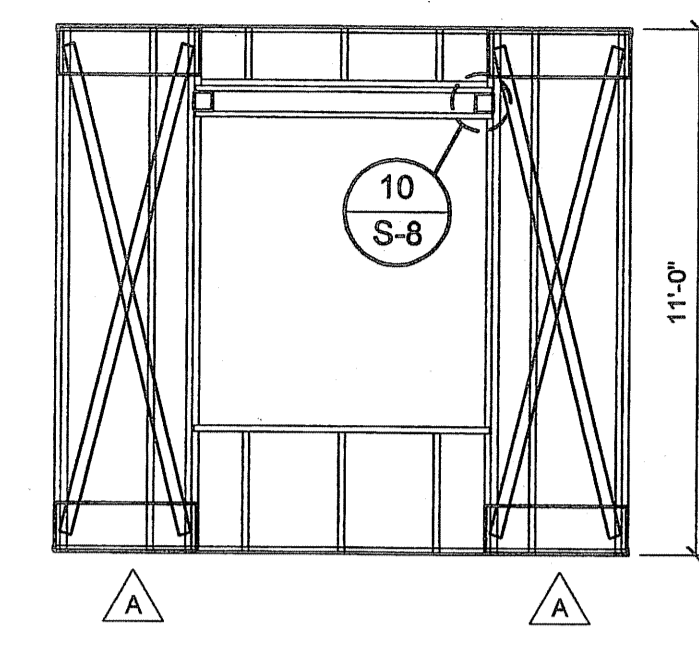


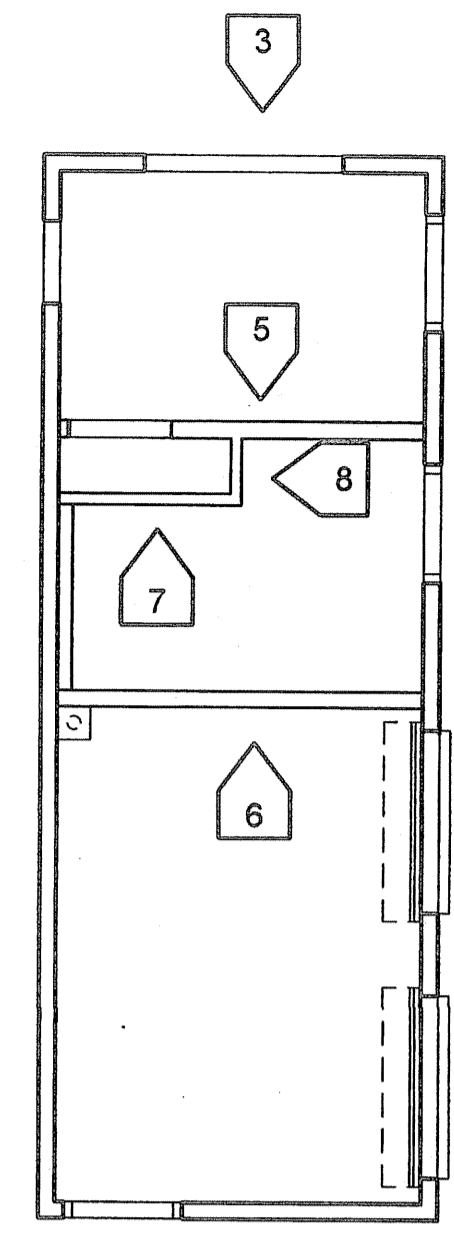
**PANEL 1**  
SCALE: 1/4" = 1'-0"



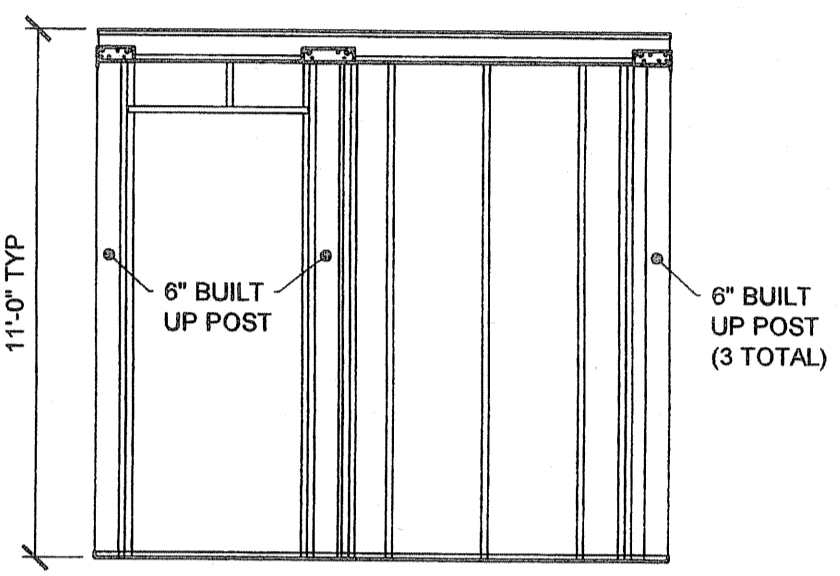
**PANEL 2**  
SCALE: 1/4" = 1'-0"



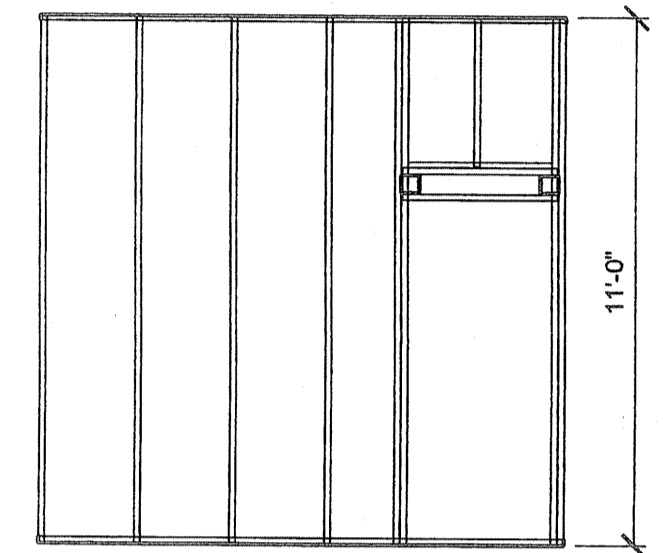
**PANEL 3**  
SCALE: 1/4" = 1'-0"



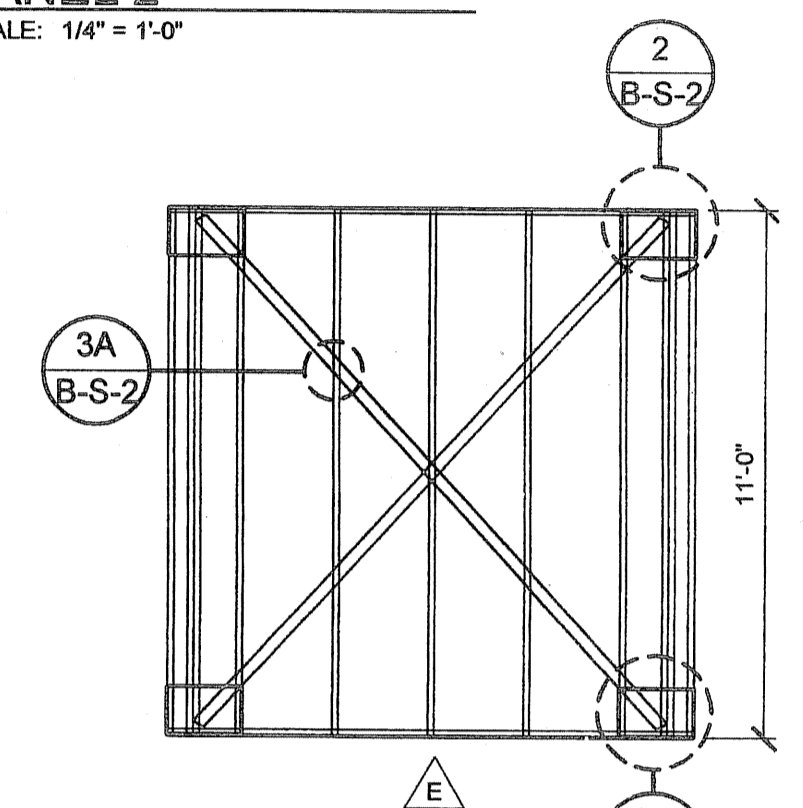
**KEY PLAN**  
NOT TO SCALE



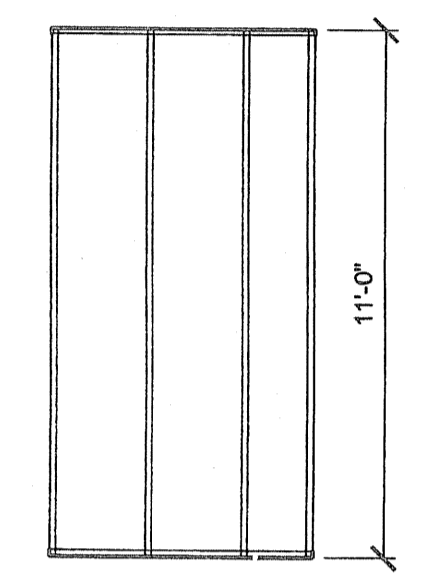
**PANEL 4**  
SCALE: 1/4" = 1'-0"



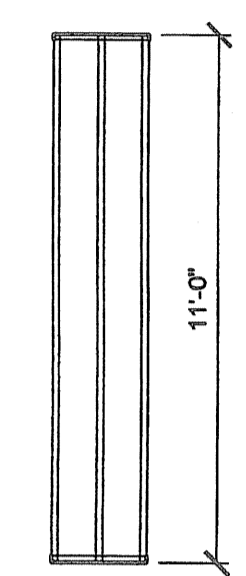
**PANEL 5**  
SCALE: 1/4" = 1'-0"



**PANEL 6**  
SCALE: 1/4" = 1'-0"



**PANEL 7**  
SCALE: 1/4" = 1'-0"



**PANEL 8**  
SCALE: 1/4" = 1'-0"

REVISIONS	

COPYRIGHT © 2003  
SARAMARK, INCORPORATED  
THESE PLAN DRAWINGS ARE PROPRIETARY DOCUMENTS OF SARAMARK, INCORPORATED, & ARE NOT TO BE DISTRIBUTED, PUBLISHED OR REPRODUCED WITHOUT THE WRITTEN CONSENT OF SARAMARK INCORPORATED.

**EC CONSULTING GROUP**

1280 AVIATION AVE  
SUITE 200-F  
SAN JOSE, CA 95110  
TEL: (408) 971-3881  
FAX: (408) 284-9513

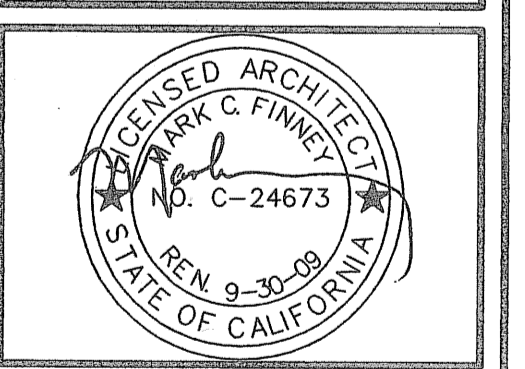
**COLLEGE of SAN MATEO**

**SAN MATEO UNIFIED SCHOOL DISTRICT**

**SARAMARK INCORPORATED**  
SERIES  
NEW

P.O. BOX 24366  
SAN JOSE, CALIFORNIA 95114  
TEL: (408) 971-3881  
FAX: (408) 971-3834

**BUILDING B HALL OF FAME WALL FRAMING PLAN**



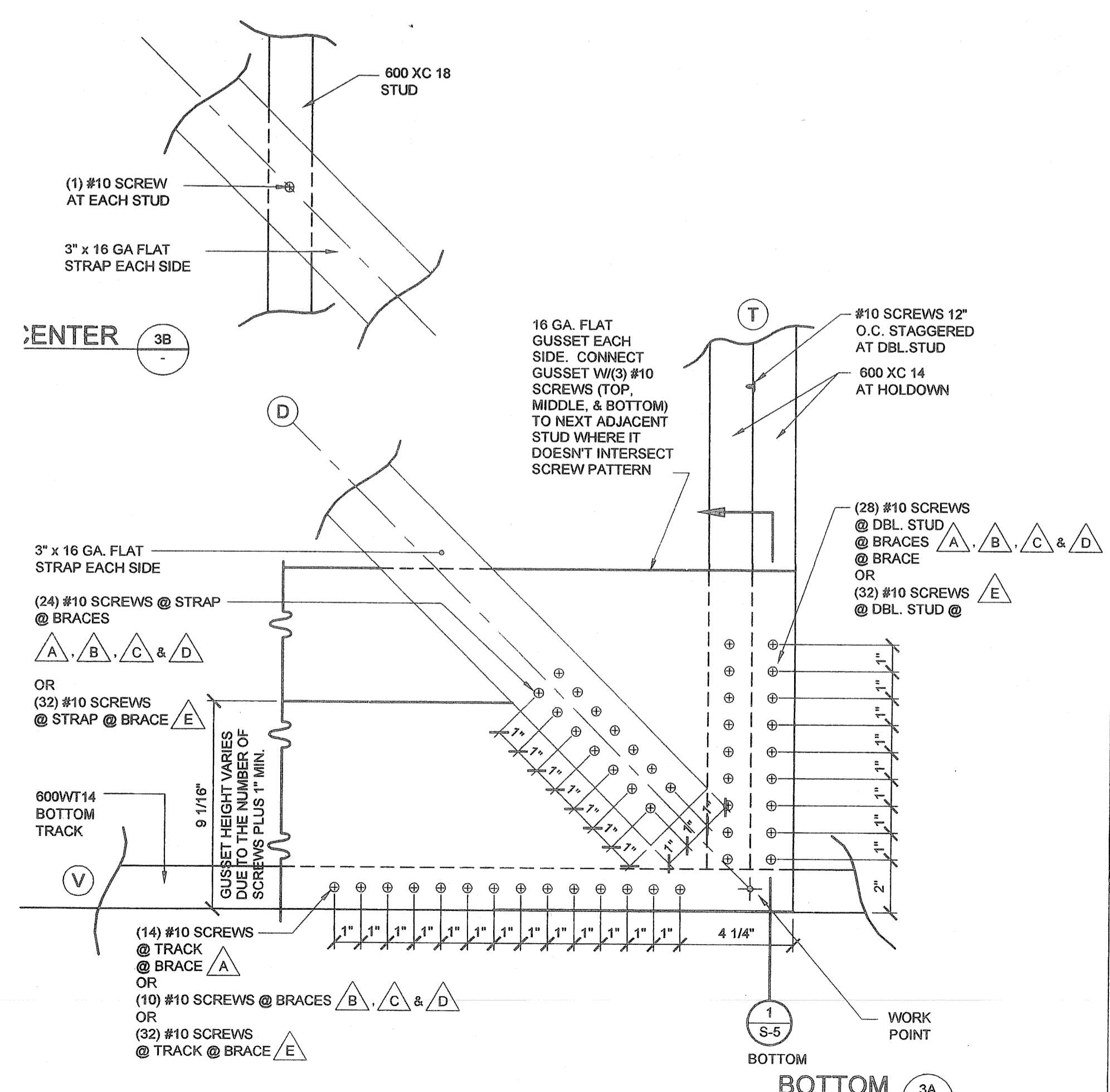
IDENTIFICATION STAMP  
DIV. OF THE STATE ARCHITECT  
OFFICE OF REGULATION SERVICES  
01-108848  
DATE: 4.11.07  
CHECKED: FAV  
SCALE: AS NOTED  
PROJECT: 1615

DRAWN: ED  
DATE: 4.11.07  
CHECKED: FAV  
SCALE: AS NOTED  
PROJECT: 1615

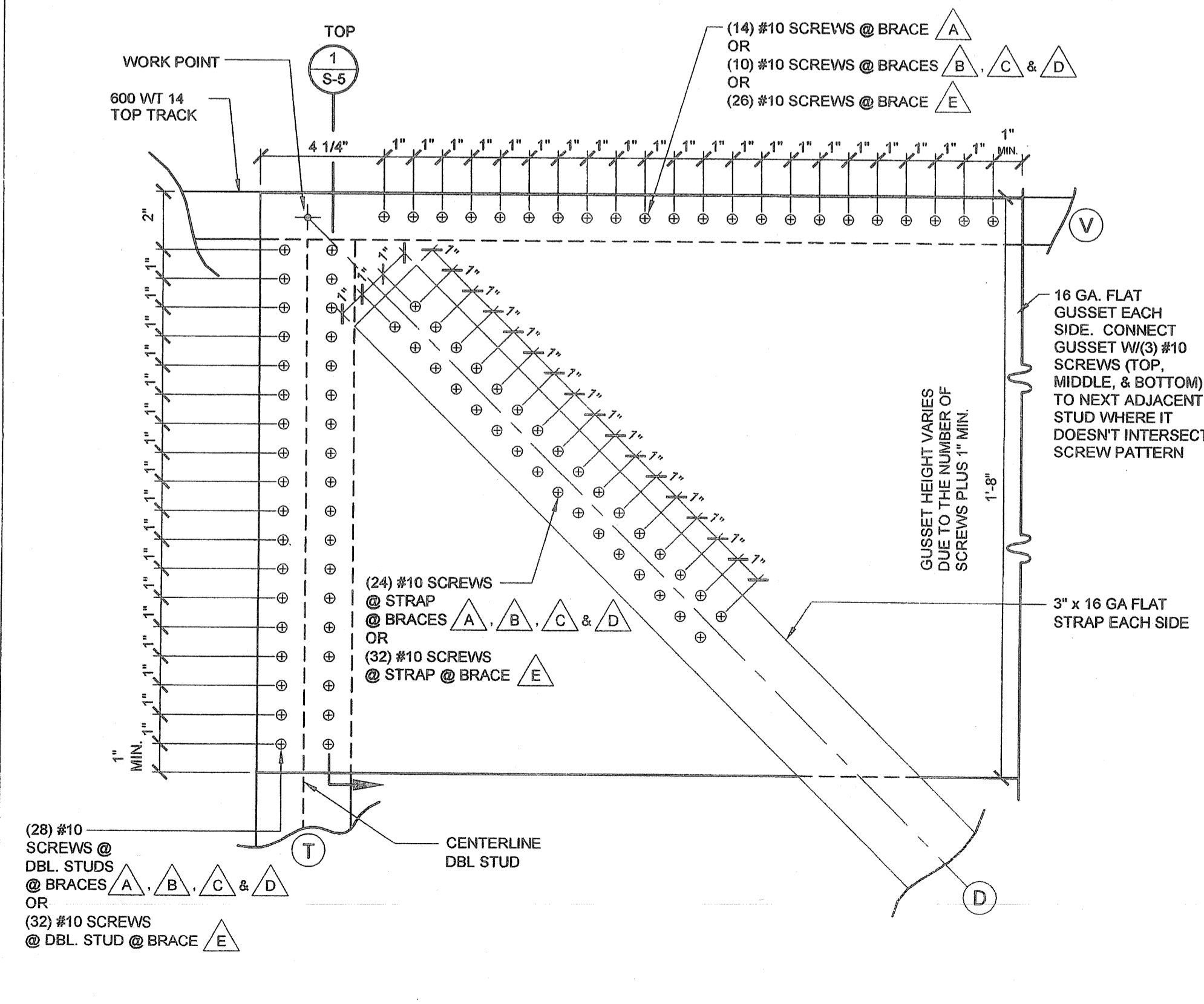
**B-S-2**

SERIES: 4012AXR WALL FRAMING SCHEDULE	PANEL							
	1	2	3	4	5	6	7	8
TOP TRACK	600WT14	600WT14	600WT14	600WT14	600WT14	600WT14	400WT14	400WT14
BOTTOM TRACK	600WT14	600WT14	600WT14	600WT14	600WT14	600WT14	400WT14	400WT14
STUDS	600XC18	600XC18	600XC18	600XC18	600XC18	600XC18	400XC18	400XC18
DBL STUDS@HLDN	(2)600XC14	(2)600XC14	(2)600XC14	N/A	N/A	(2)600XC14	N/A	N/A
KING STUDS	(2)600XC18	(2)600XC18	(2)600XC18	(2)600XC18	(2)600XC18	N/A	N/A	N/A
* HEADERS	(2)600WJ18	N/A	(2)600WJ18	(2)600EJ18	(2)600EJ18	N/A	N/A	N/A
* HEADER WRAP	(2)600WT18	N/A	(2)600WT18	(2)600WT18	(2)600WT18	N/A	N/A	N/A
* CRIPPLE SEAT	600WT18	N/A	600WT18	600WT18	600WT18	N/A	N/A	N/A
CRIPPLES	600XC18	600XC18	600XC18	600XC18	600XC18	N/A	N/A	N/A
SILLS	600WT18	600WT18	600WT18	600WT18	600WT18	N/A	N/A	N/A
RAKE SILLS	N/A	N/A	N/A	N/A	N/A	N/A	N/A	N/A
JAMB COVERS	600WT18	600WT18	600WT18	600WT18	600WT18	N/A	N/A	N/A
BLOCKING	N/A	N/A	N/A	N/A	N/A	N/A	N/A	N/A
BUILT-UP POSTS	N/A	N/A	N/A	(2)600WJ14	N/A	N/A	N/A	N/A
POST WRAP	N/A	N/A	N/A	(2)600WT18	N/A	N/A	N/A	N/A
** GUSSETS	9 1/16"x18GA	9 1/16"x18GA	11 5/16"x18GA	N/A	N/A	11 5/16"x18GA	N/A	N/A
** "X" BRACING	3"x 16GA.	3"x 18GA.	3"x 18GA.	N/A	N/A	3"x 16GA.	N/A	N/A

\* Window Sizes May Vary In Height And Width, With A Maximum Height Of 6'0 And Width Of 8'0.  
\*\* Both Sides Of The Wall.



**TYP. CENTER & BOT. GUSSET @ X-BRACNG**  
SCALE: 3" = 1'-0"



**TOP GUSSET @ STRAIGHT WALL X-BRACING**  
SCALE: 3" = 1'-0"