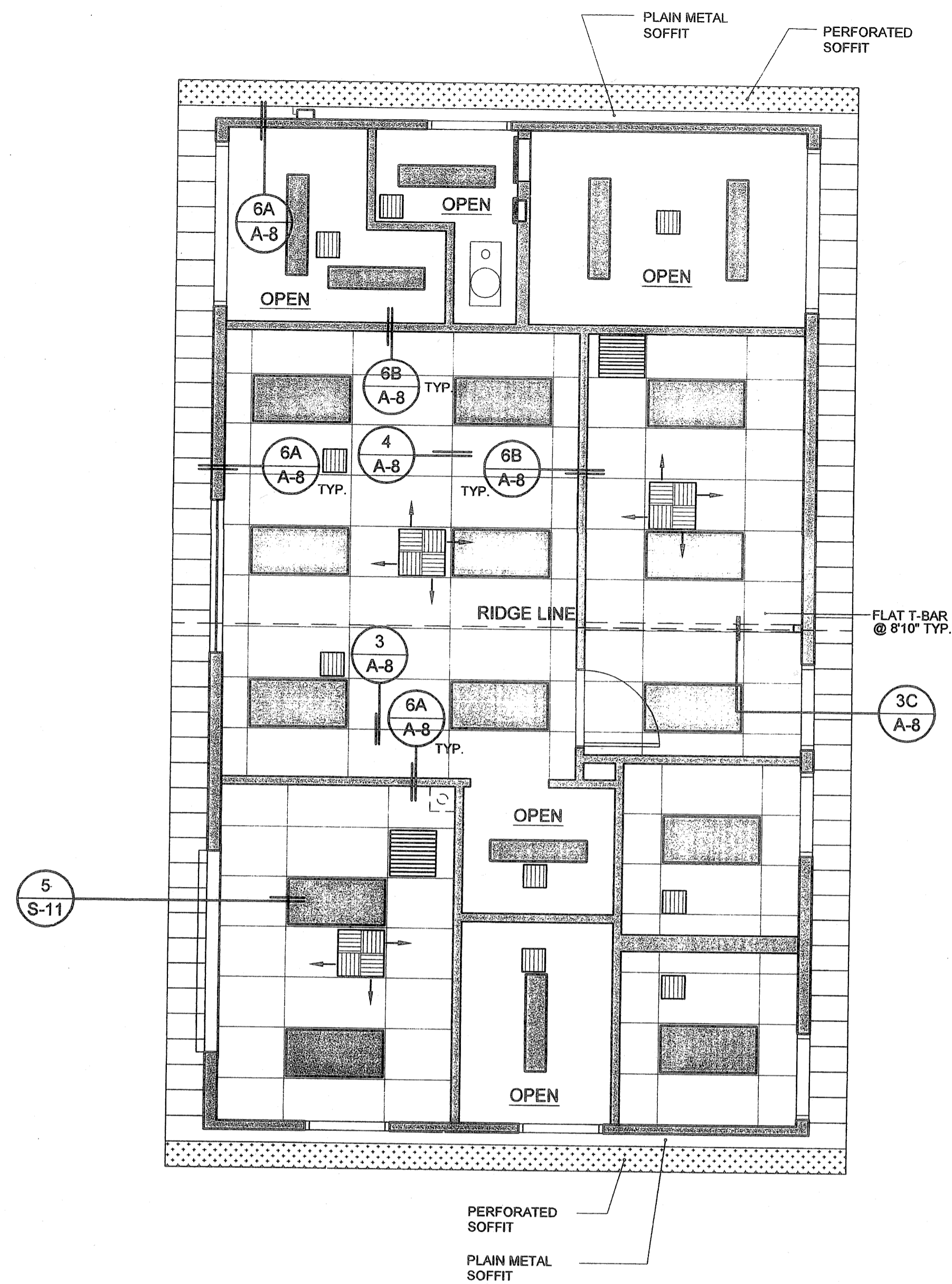
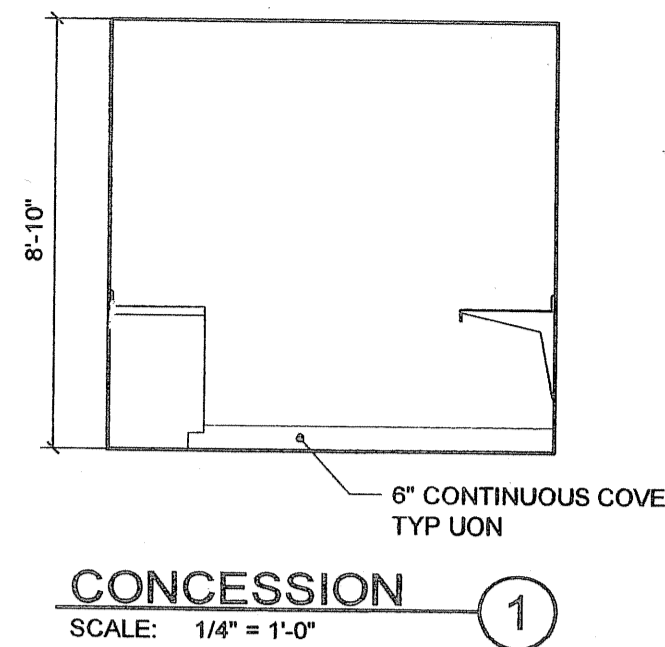
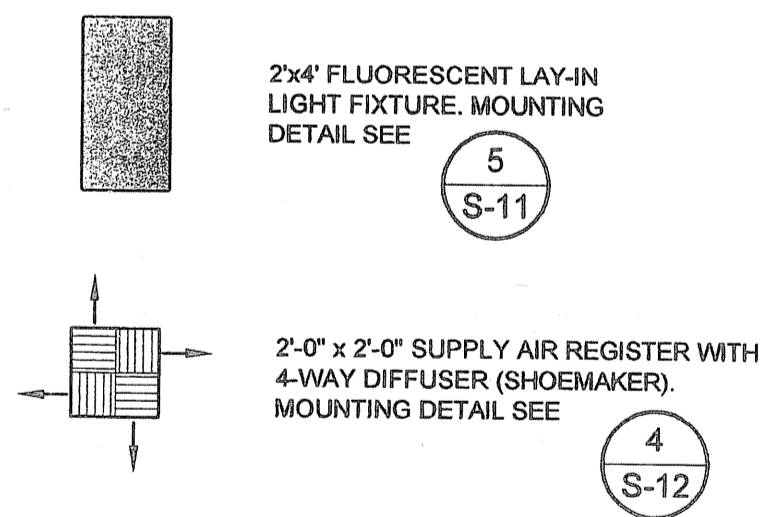


drawings\PROJECTS\OPEN PROJECTS\San Mateo Community College\Drawing Set\A-A-7.dwg, 10/9/2007 3:25:08 PM, 6050 - Bond-24.pcd

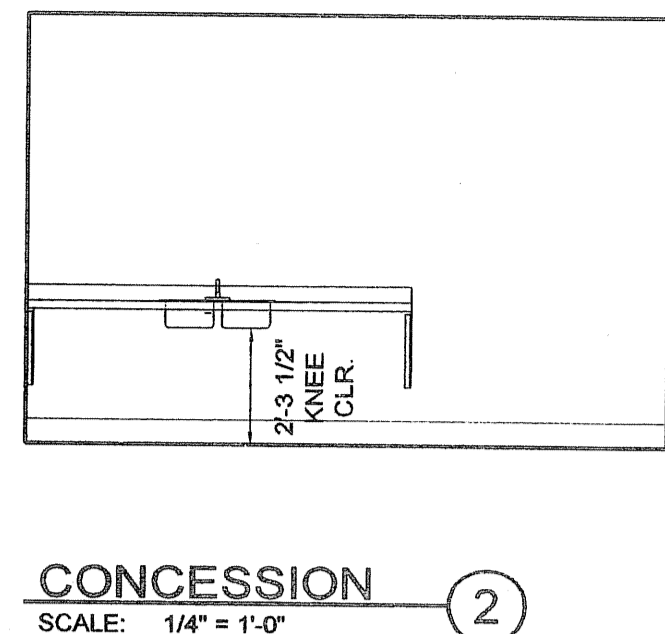


BUILDING A TEAM ROOM - REFLECTED CEILING PLAN
SCALE: 1/4" = 1'-0"

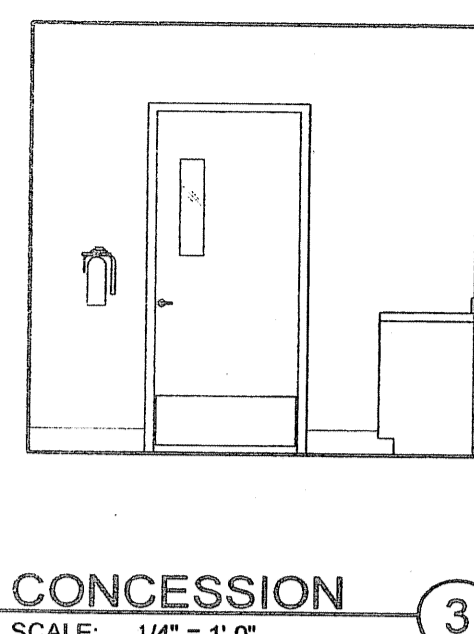
LEGEND



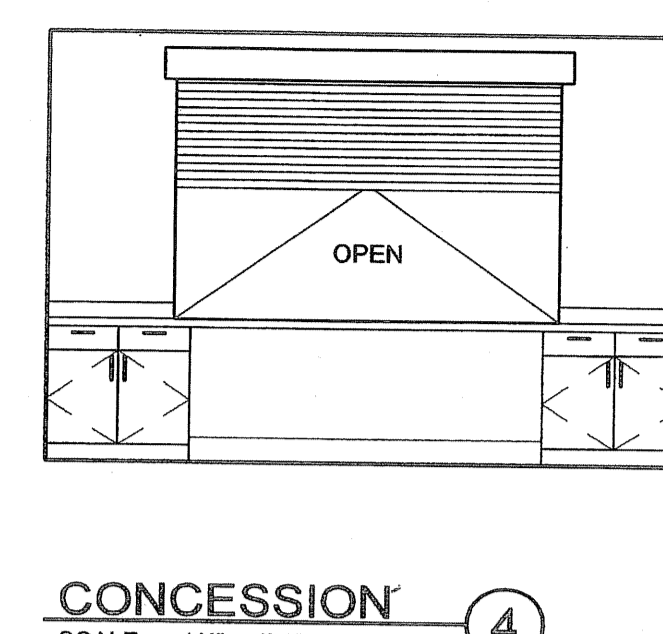
CONCESSION 1
SCALE: 1/4" = 1'-0"



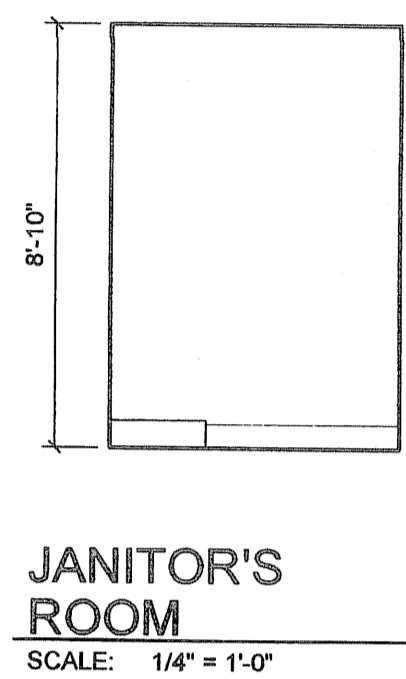
CONCESSION 2
SCALE: 1/4" = 1'-0"



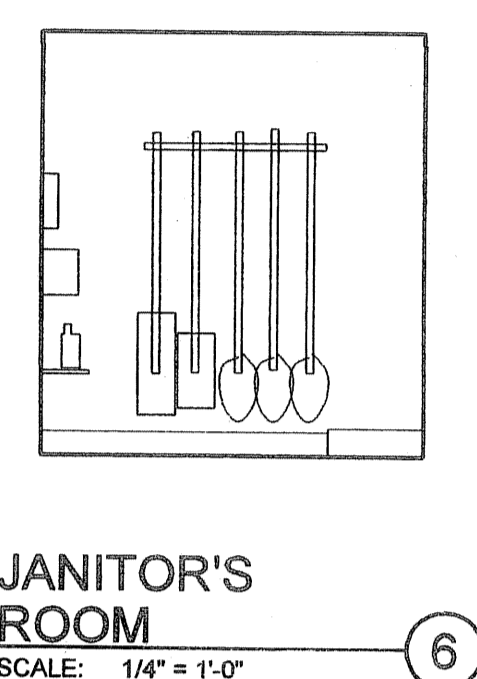
CONCESSION 3
SCALE: 1/4" = 1'-0"



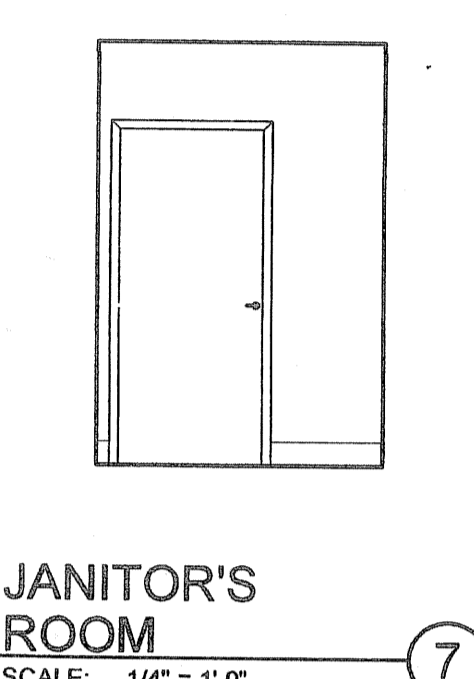
CONCESSION 4
SCALE: 1/4" = 1'-0"



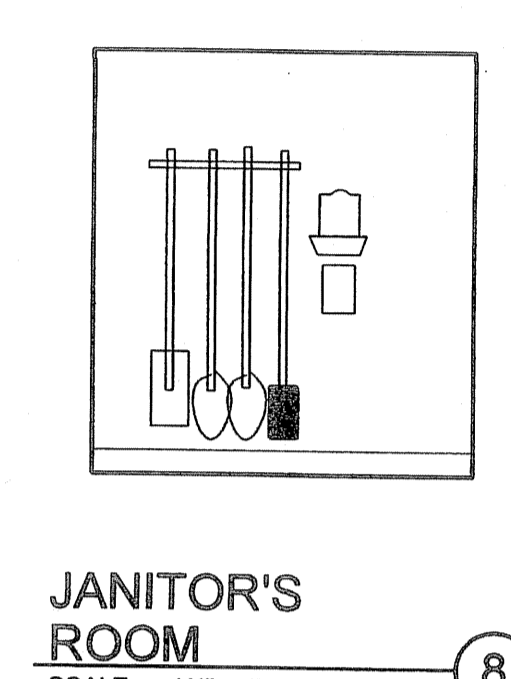
JANITOR'S ROOM 5
SCALE: 1/4" = 1'-0"



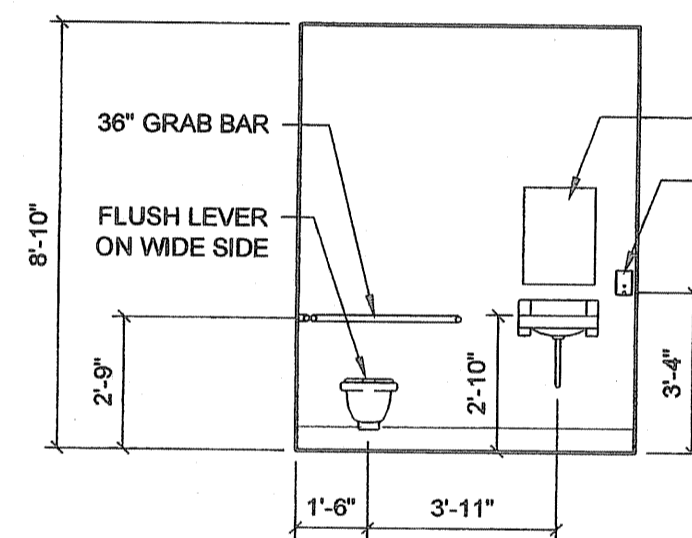
JANITOR'S ROOM 6
SCALE: 1/4" = 1'-0"



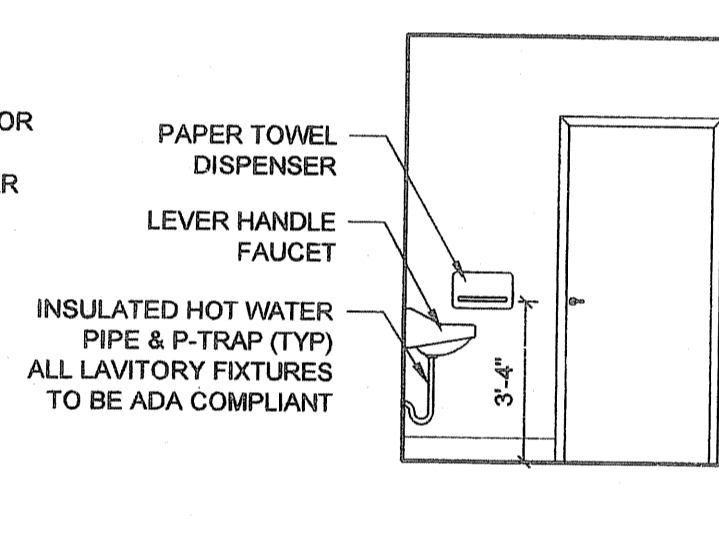
JANITOR'S ROOM 7
SCALE: 1/4" = 1'-0"



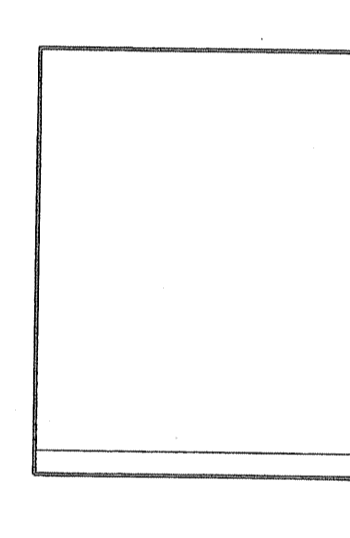
JANITOR'S ROOM 8
SCALE: 1/4" = 1'-0"



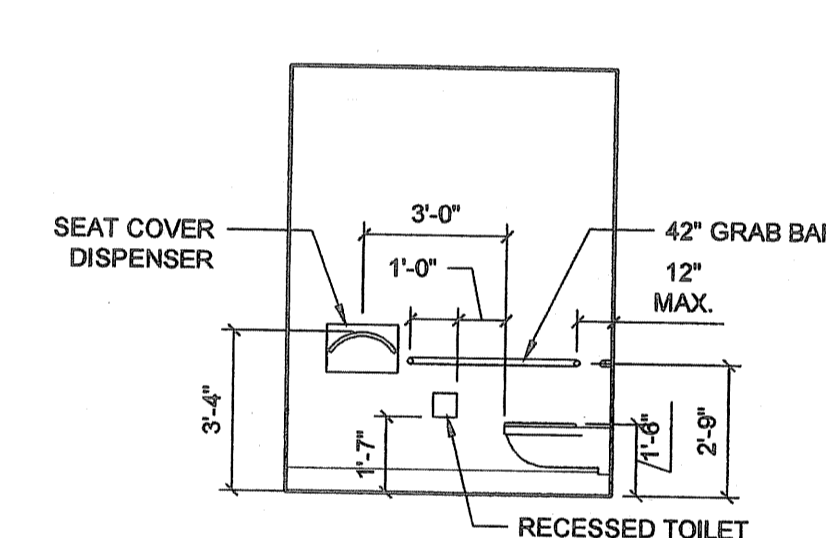
MEN'S ROOM 9
SCALE: 1/4" = 1'-0"
(WOMEN'S REVERSED)



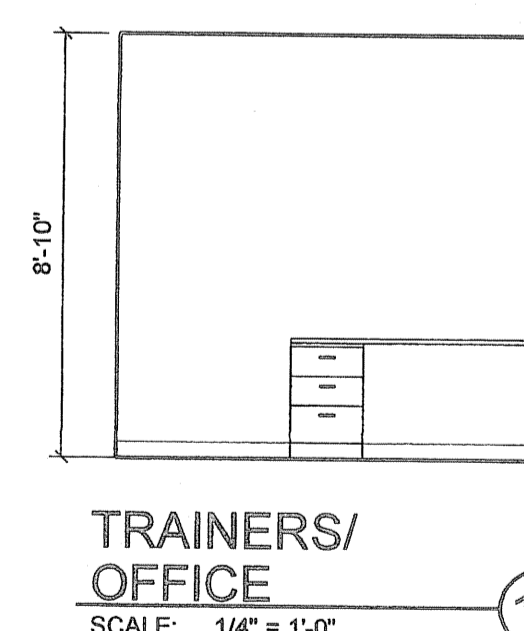
MEN'S ROOM 10
SCALE: 1/4" = 1'-0"
(WOMEN'S REVERSED)



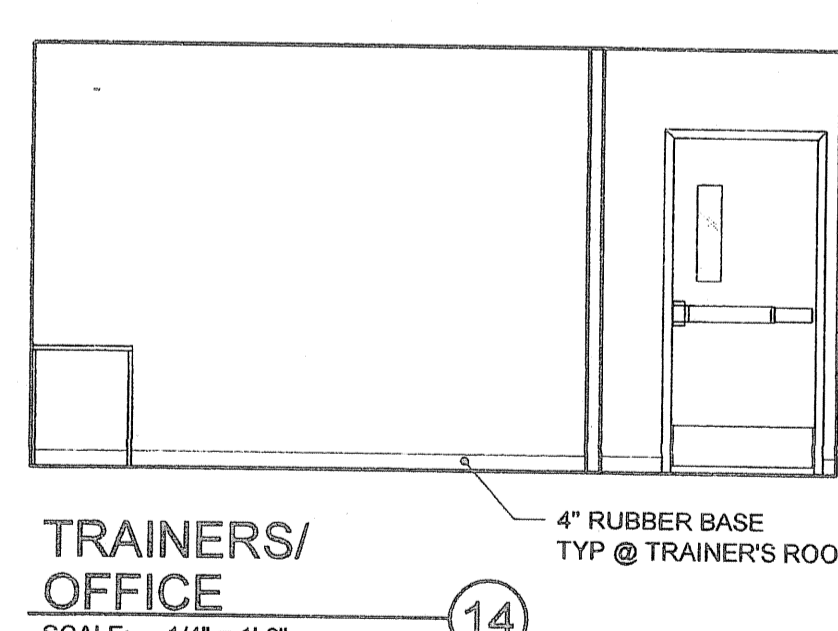
MEN'S ROOM 11
SCALE: 1/4" = 1'-0"
(WOMEN'S REVERSED)



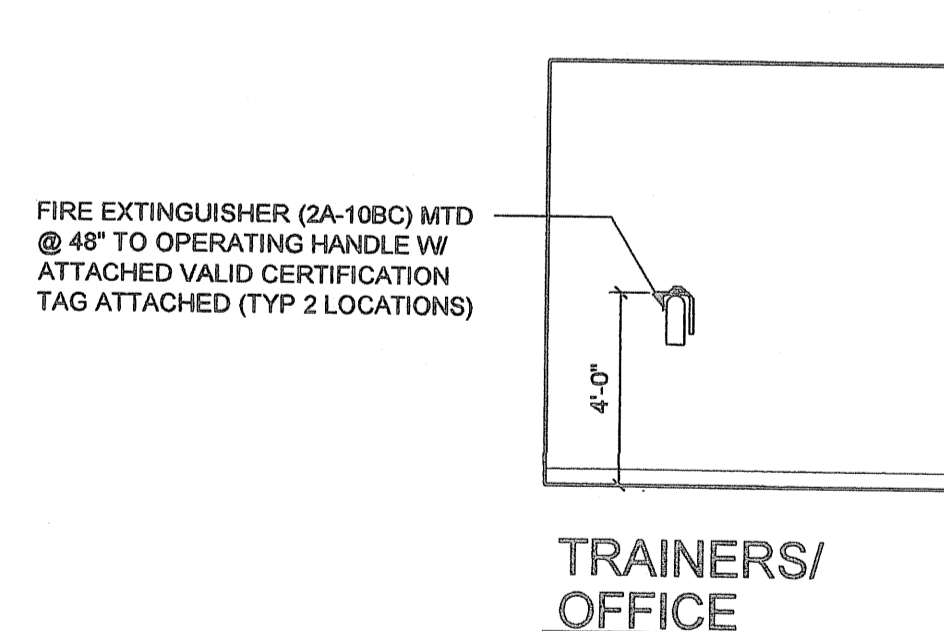
MEN'S ROOM 12
SCALE: 1/4" = 1'-0"
(WOMEN'S REVERSED)



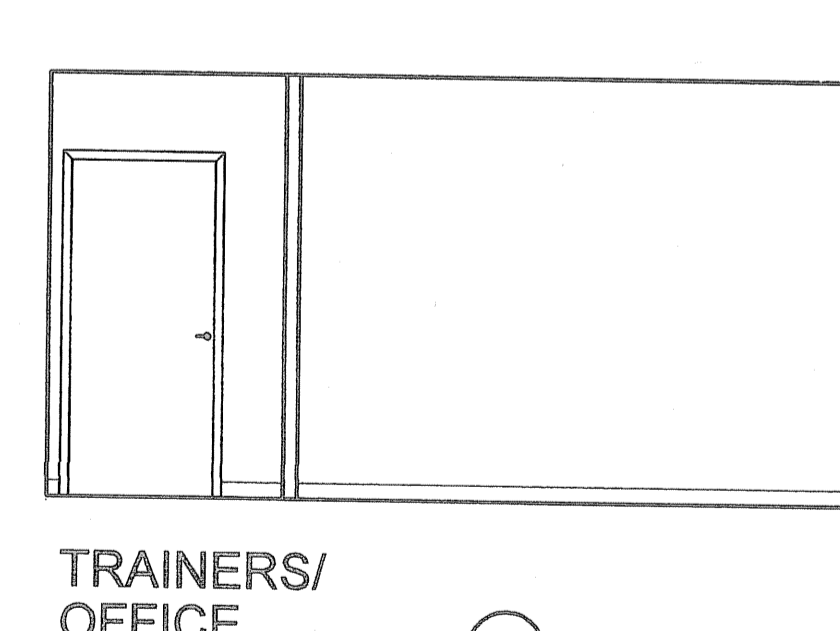
TRAINERS/OFFICE 13
SCALE: 1/4" = 1'-0"



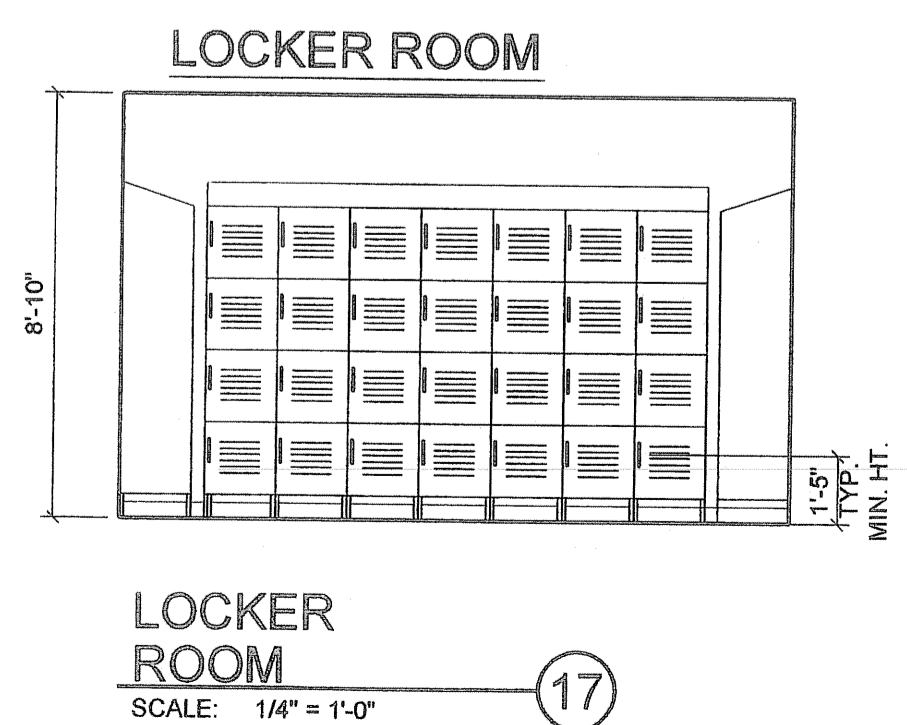
TRAINERS/OFFICE 14
SCALE: 1/4" = 1'-0"



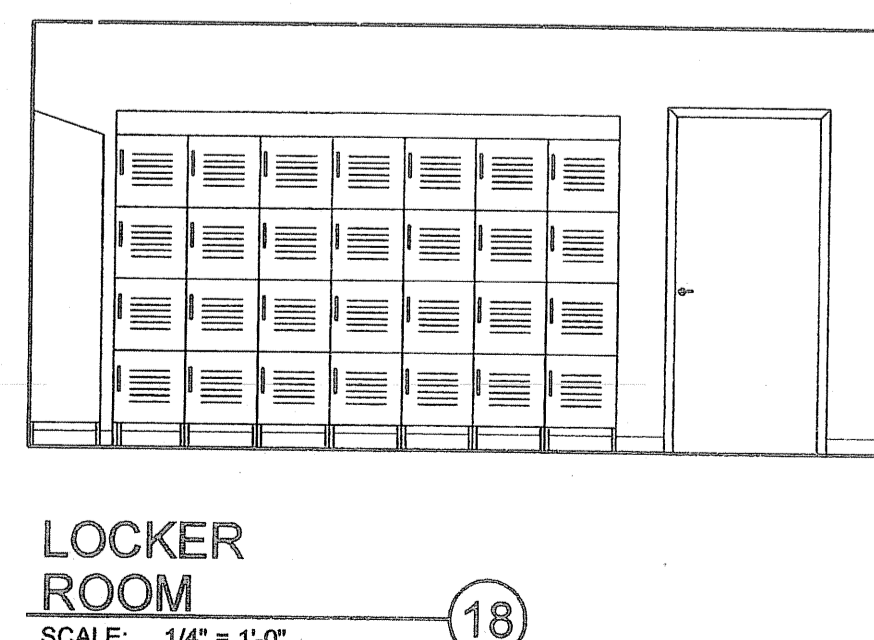
TRAINERS/OFFICE 15
SCALE: 1/4" = 1'-0"



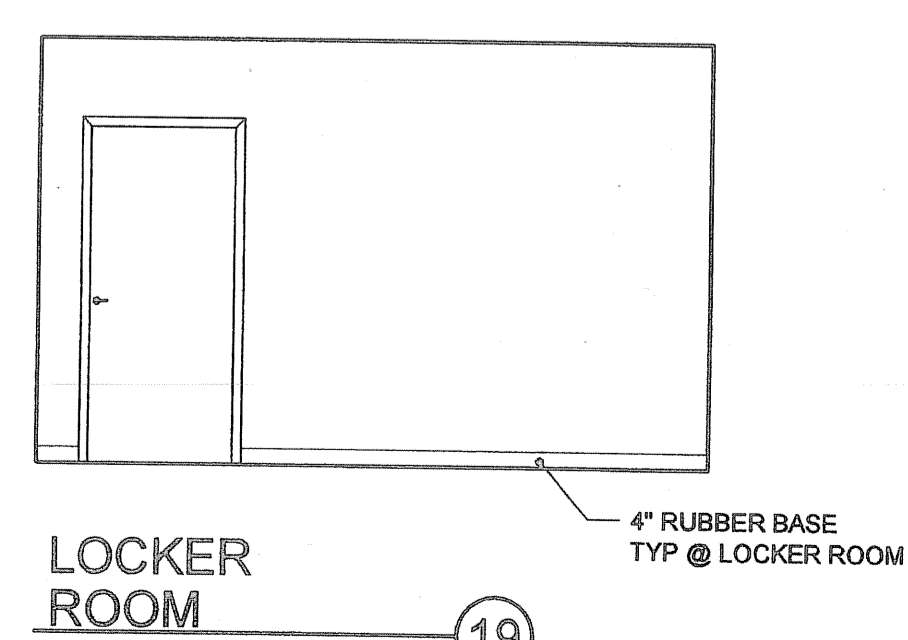
TRAINERS/OFFICE 16
SCALE: 1/4" = 1'-0"



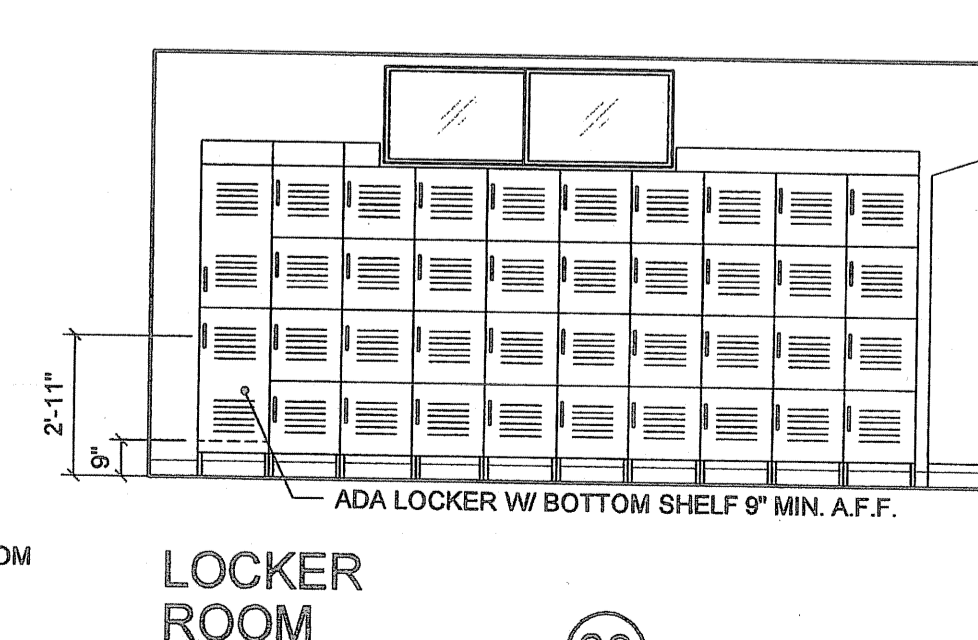
LOCKER ROOM 17
SCALE: 1/4" = 1'-0"



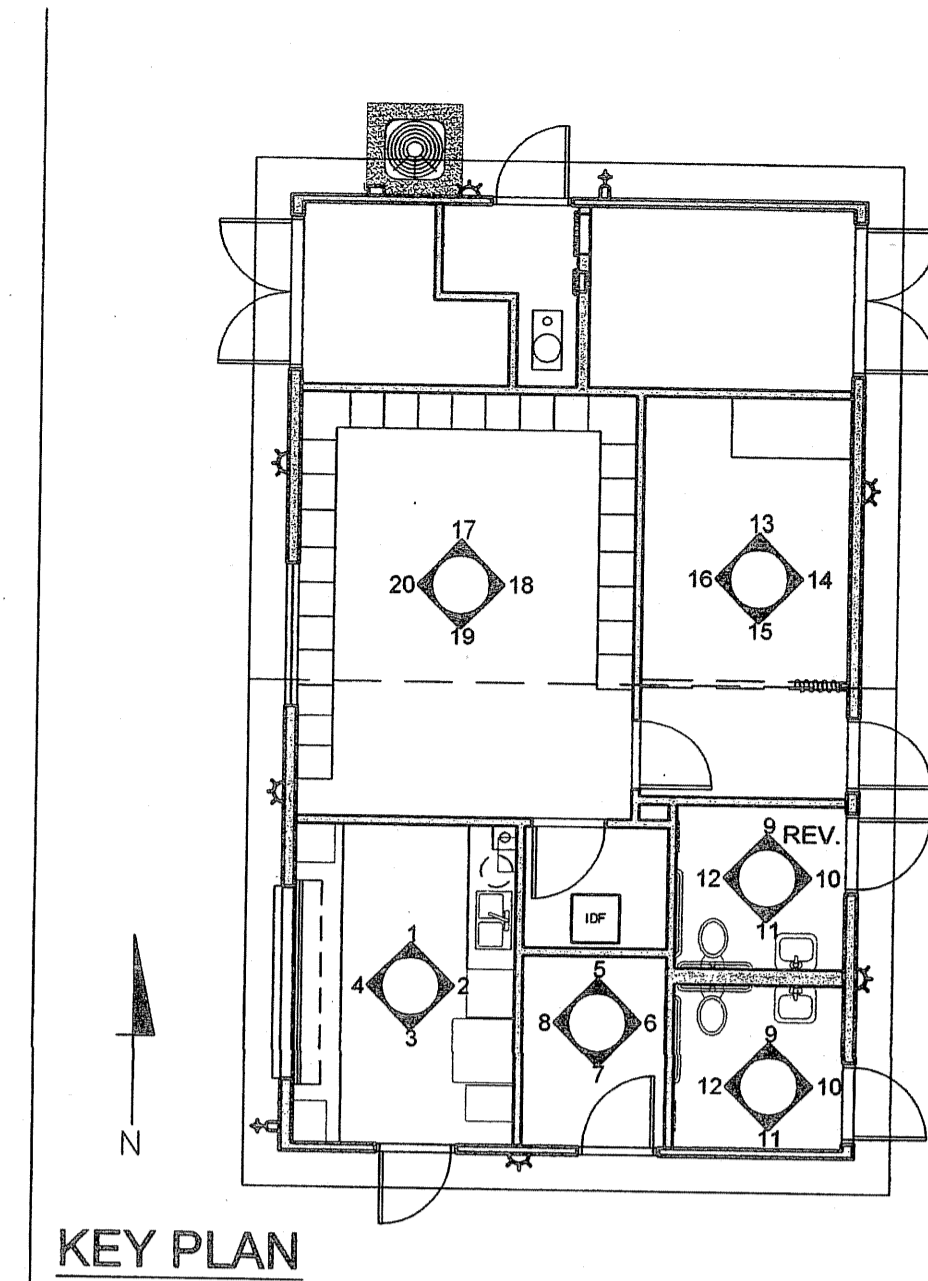
LOCKER ROOM 18
SCALE: 1/4" = 1'-0"



LOCKER ROOM 19
SCALE: 1/4" = 1'-0"



LOCKER ROOM 20
SCALE: 1/4" = 1'-0"



KEY PLAN

REVISIONS	
1	
2	
3	
4	
5	
6	

COPYRIGHT © 2003
SARAMARK, INCORPORATED
THESE PLAN DRAWINGS ARE
PROPRIETARY DOCUMENTS
OF SARAMARK, INCORPORATED,
& ARE NOT TO BE DISTRIBUTED,
PUBLISHED OR REPRODUCED
WITHOUT THE WRITTEN
CONSENT OF SARAMARK
INCORPORATED.

EC CONSULTING GROUP

1880 AVIATION AVE
SUITE 200-P
SAN JOSE, CA 95110
TEL: (408) 254-8515

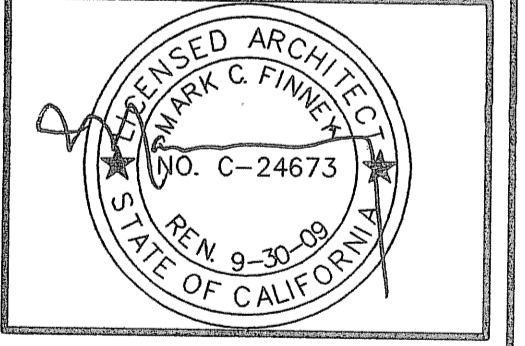
COLLEGE of SAN MATEO

SAN MATEO UNIFIED SCHOOL DISTRICT

SARAMARK INCORPORATED
SERIES 4024AX
PC 01-108106

P.O. BOX 24369
SAN JOSE, CALIFORNIA 95154
TEL: (408) 971-3881
FAX: (408) 971-3834

BUILDING A TEAM ROOM REFLECTED CEILING PLAN & INT. ELEV.



IDENTIFICATION STAMP
DIV. OF THE STATE ARCHITECT
OFFICE OF REGULATION SERVICES
01-108848
AC [initials] FL [initials] SS [initials]
DATE OCT 10 2007

DRAWN: [initials]
DATE: 4.11.07
CHECKED: FAV
SCALE: AS SHOWN
PROJECT: 1615

A-A-7

AS-BUILTS