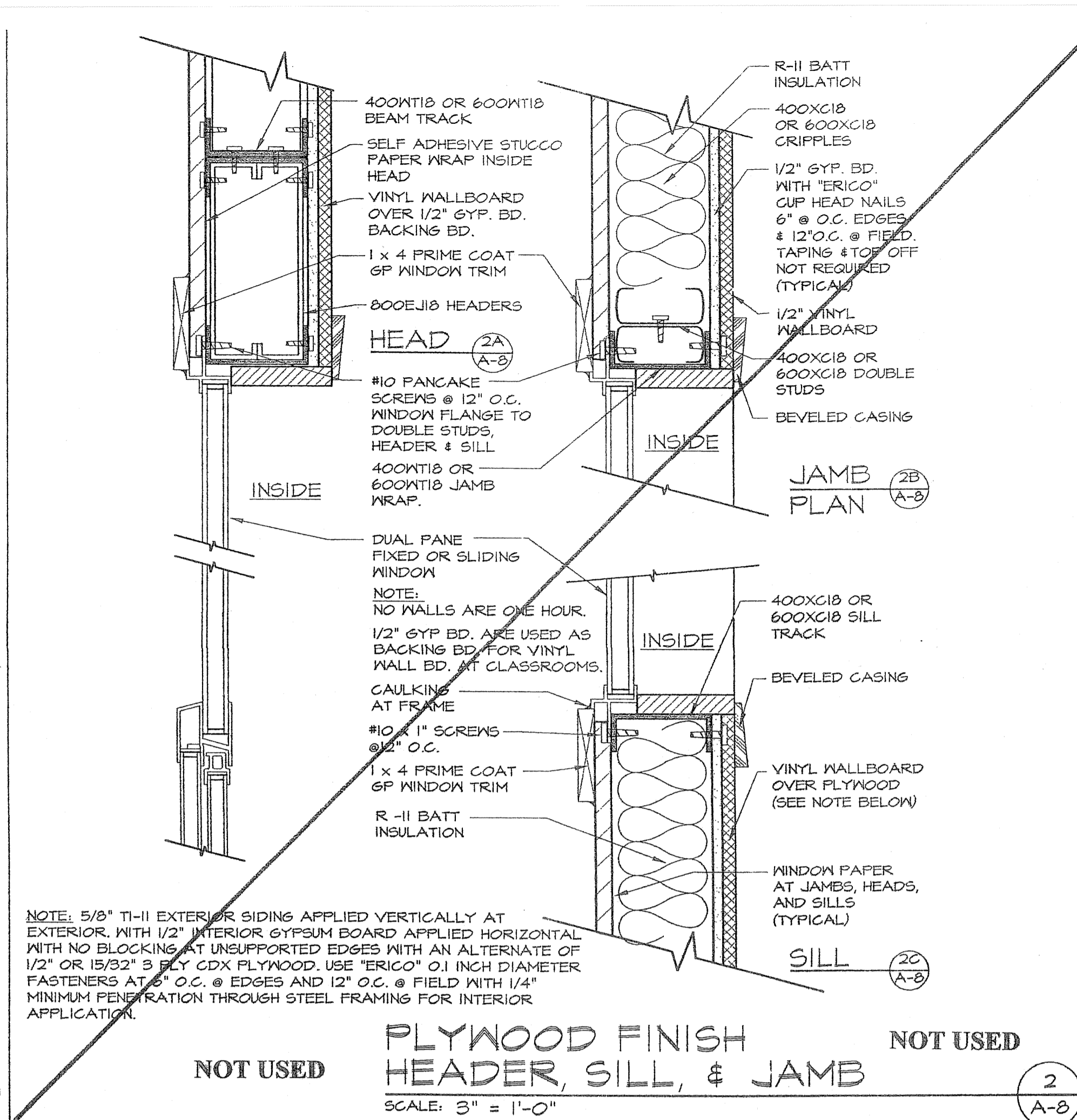
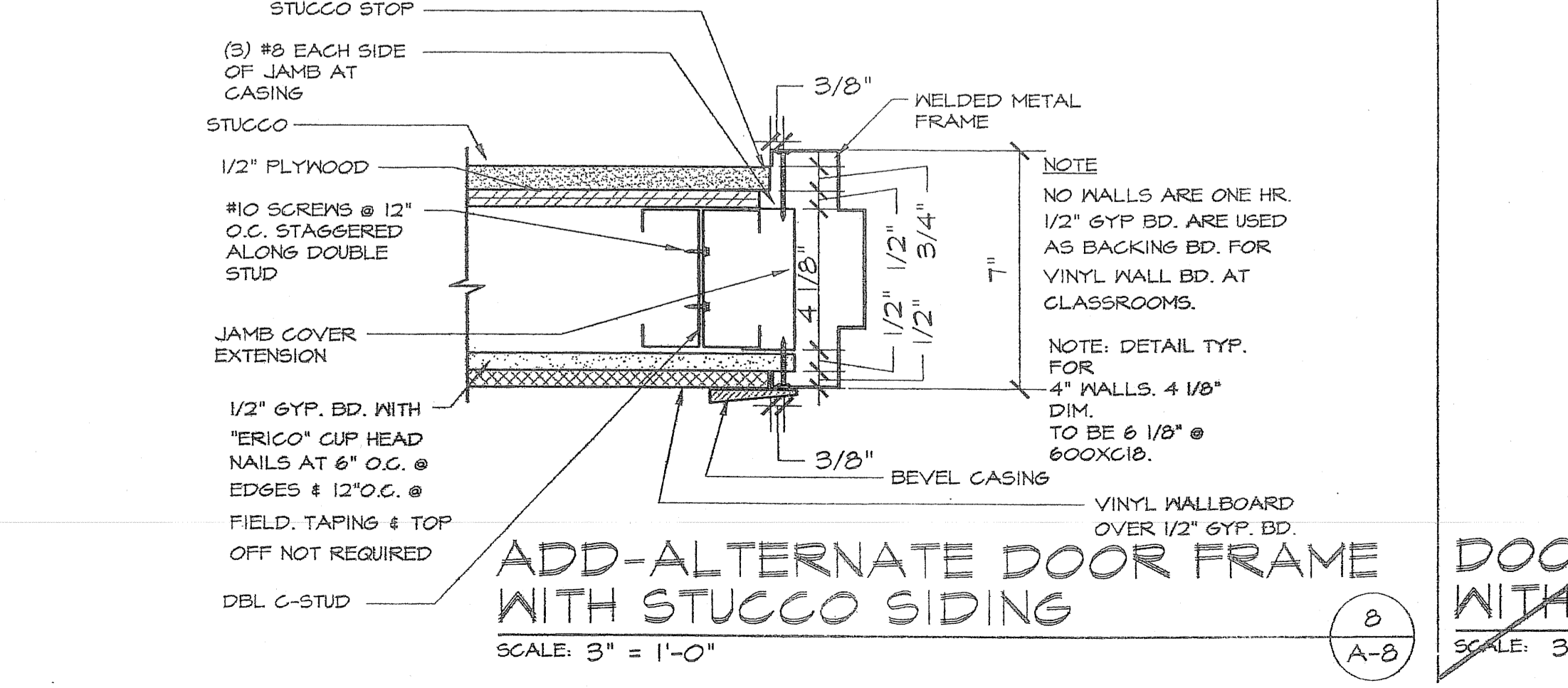
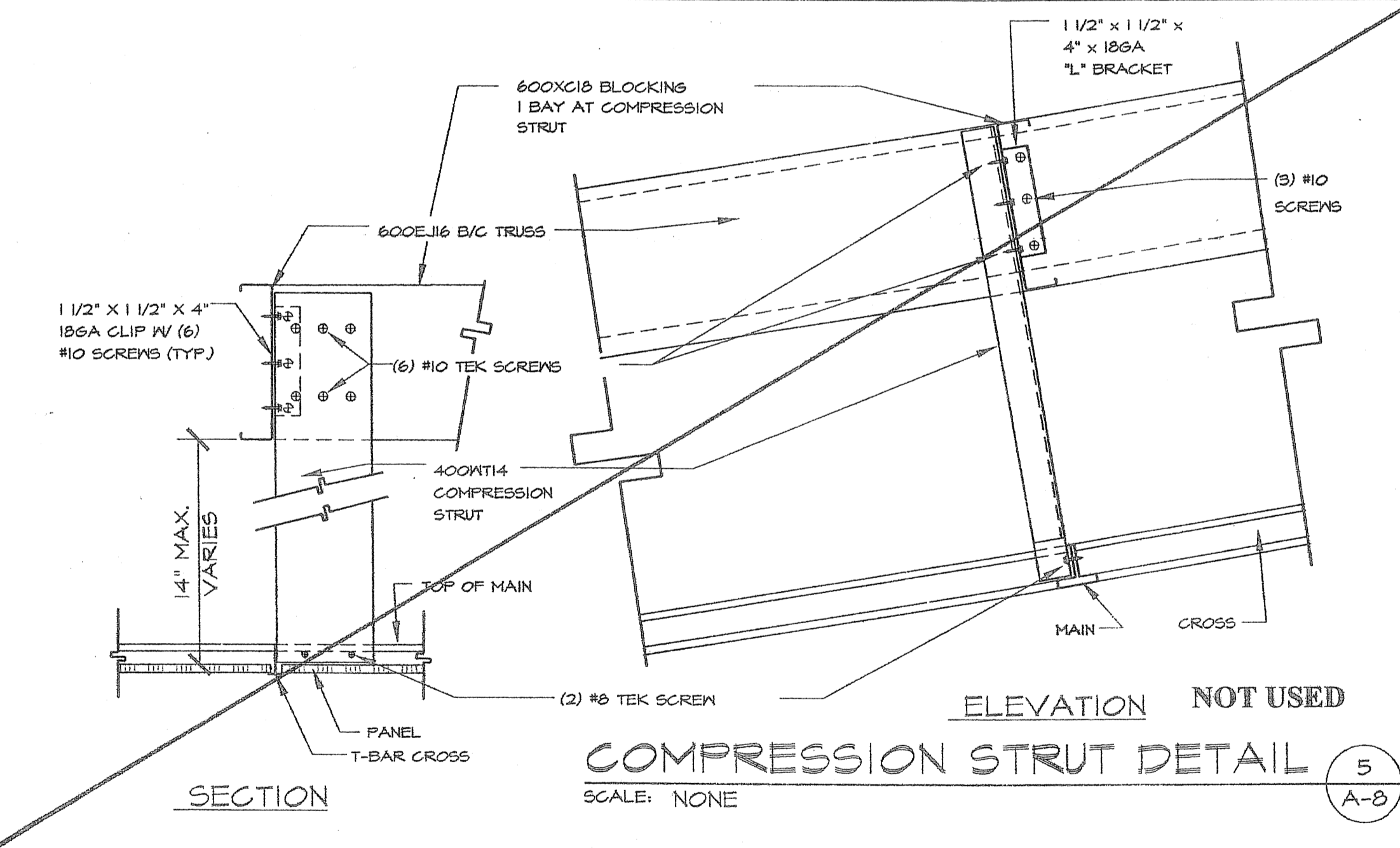
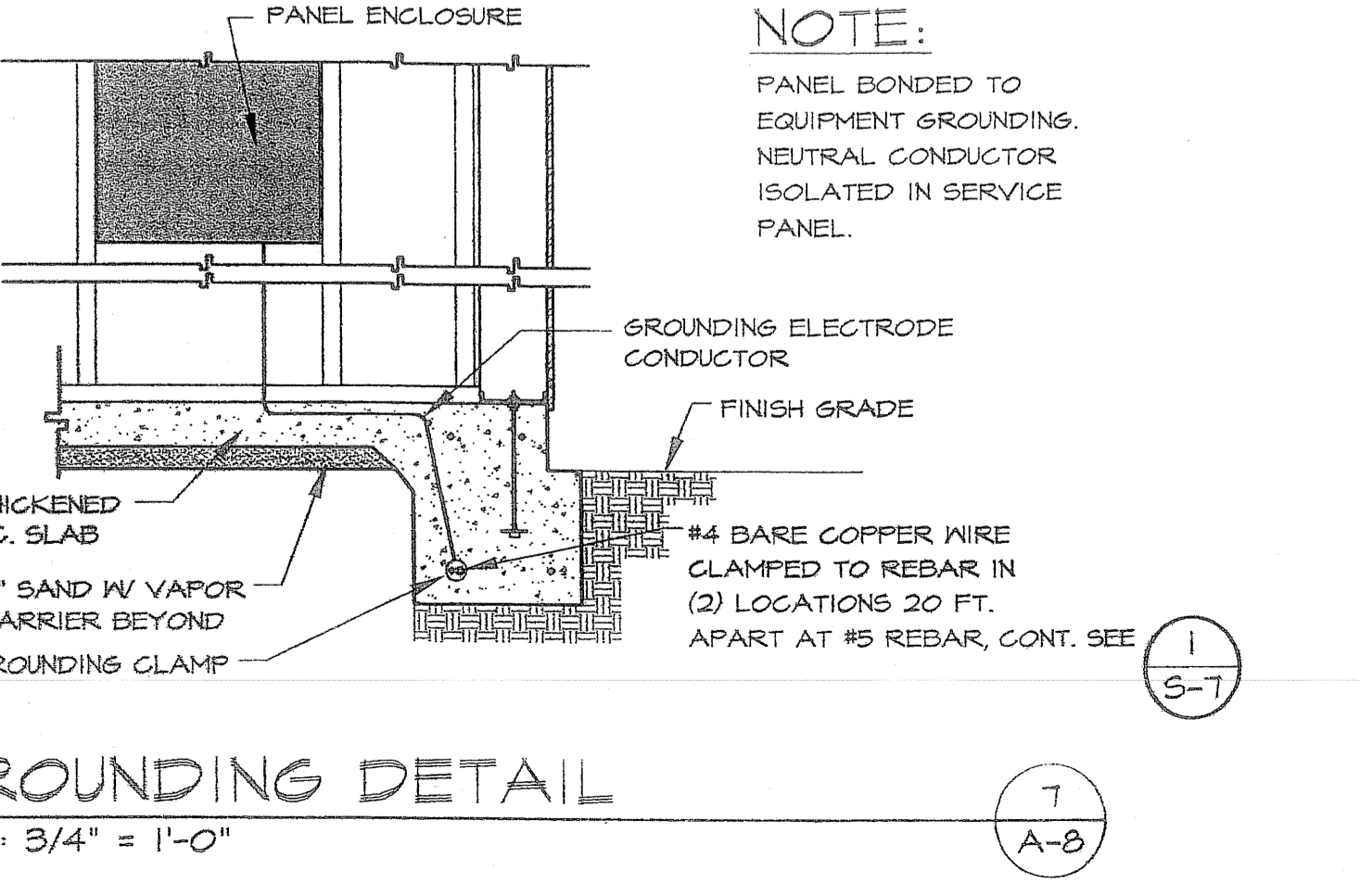
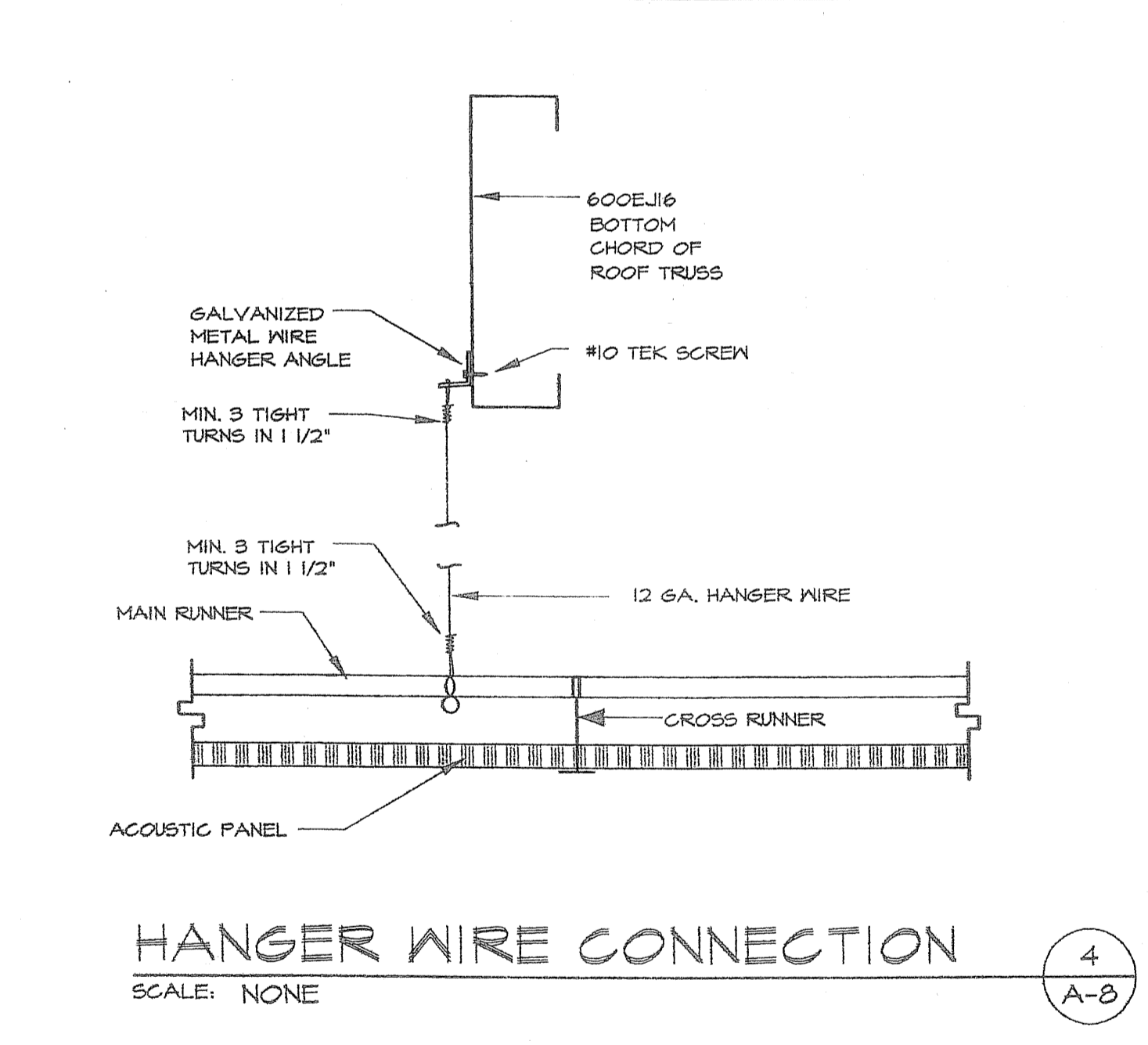
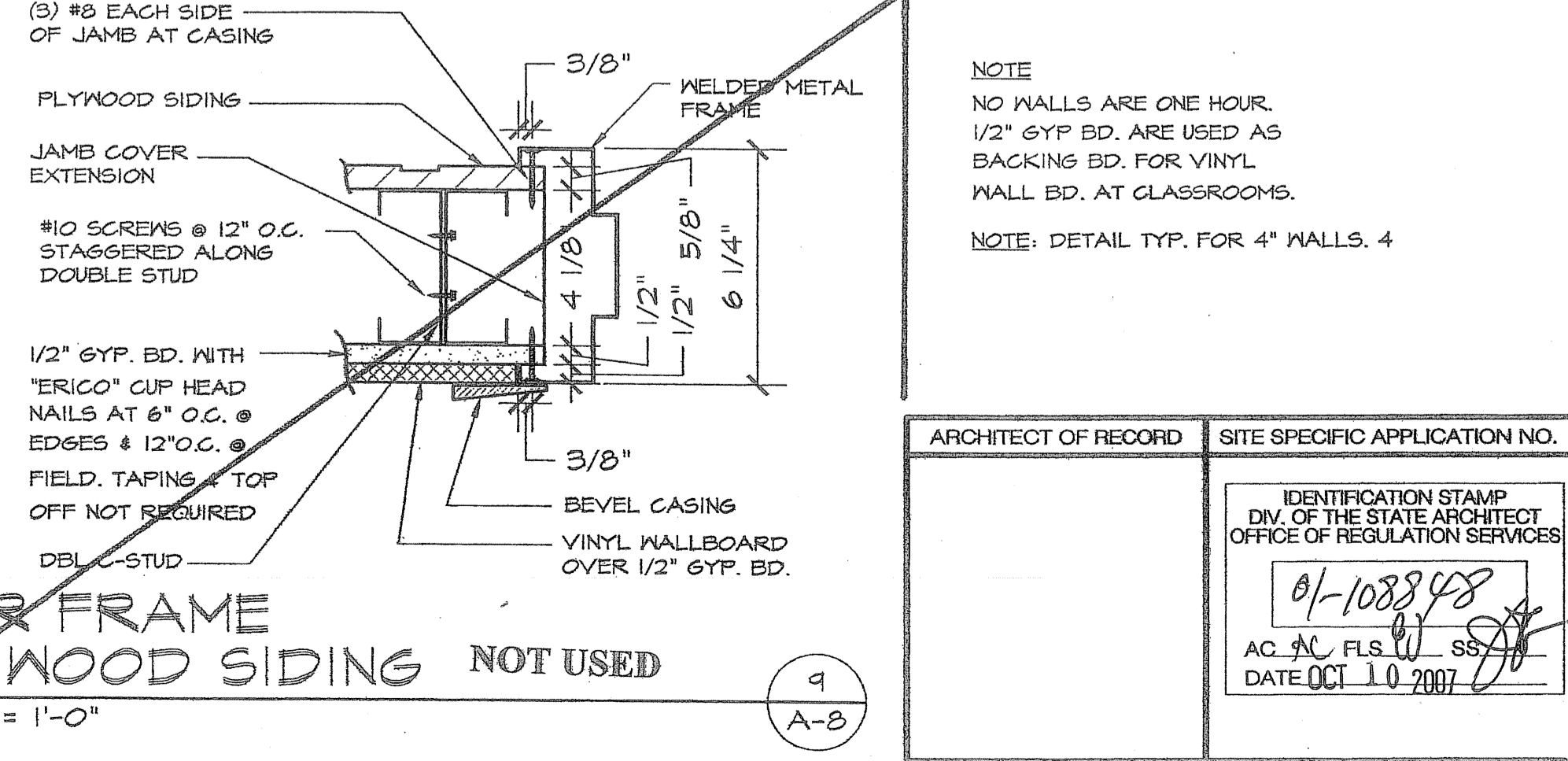
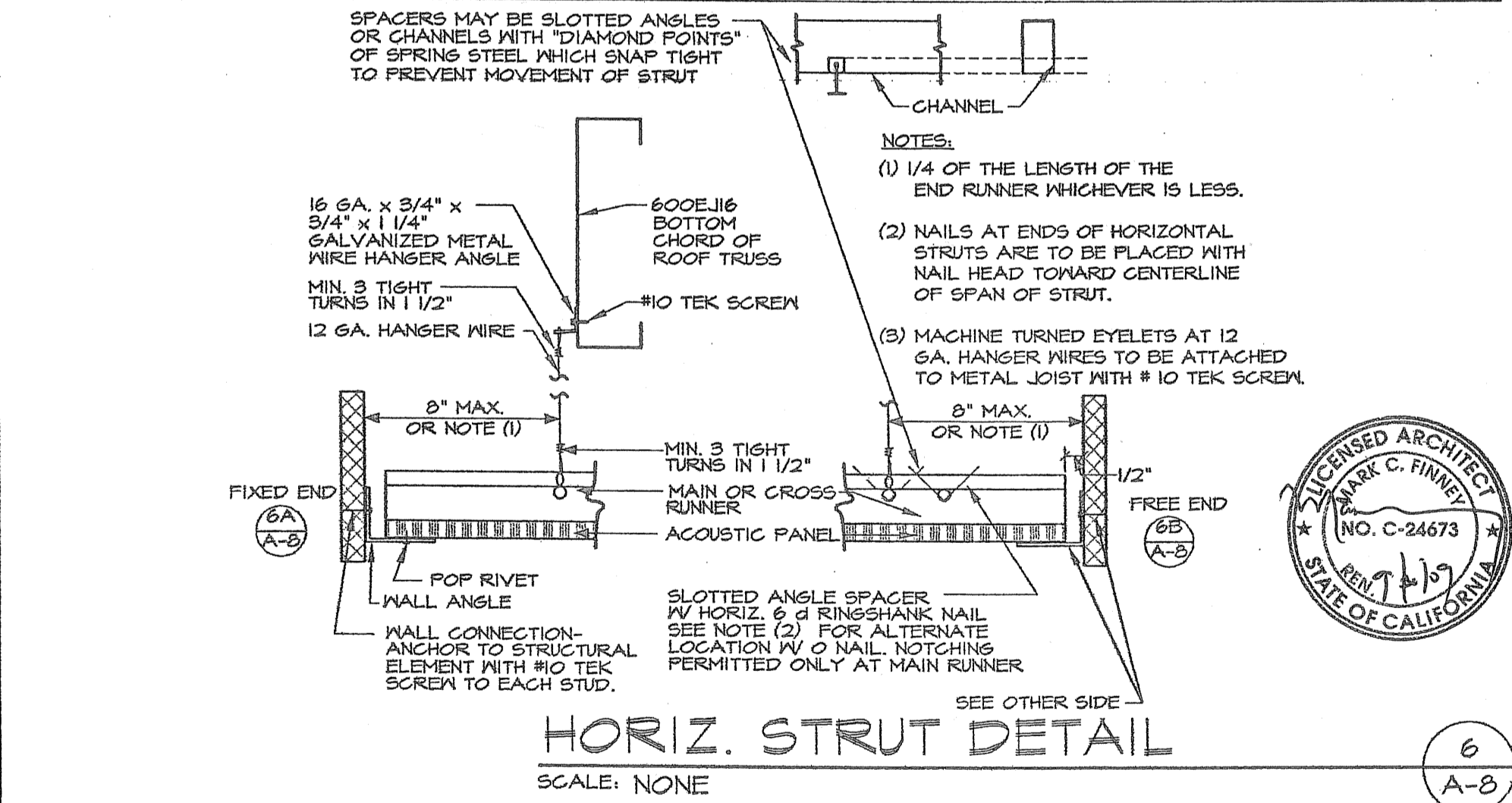
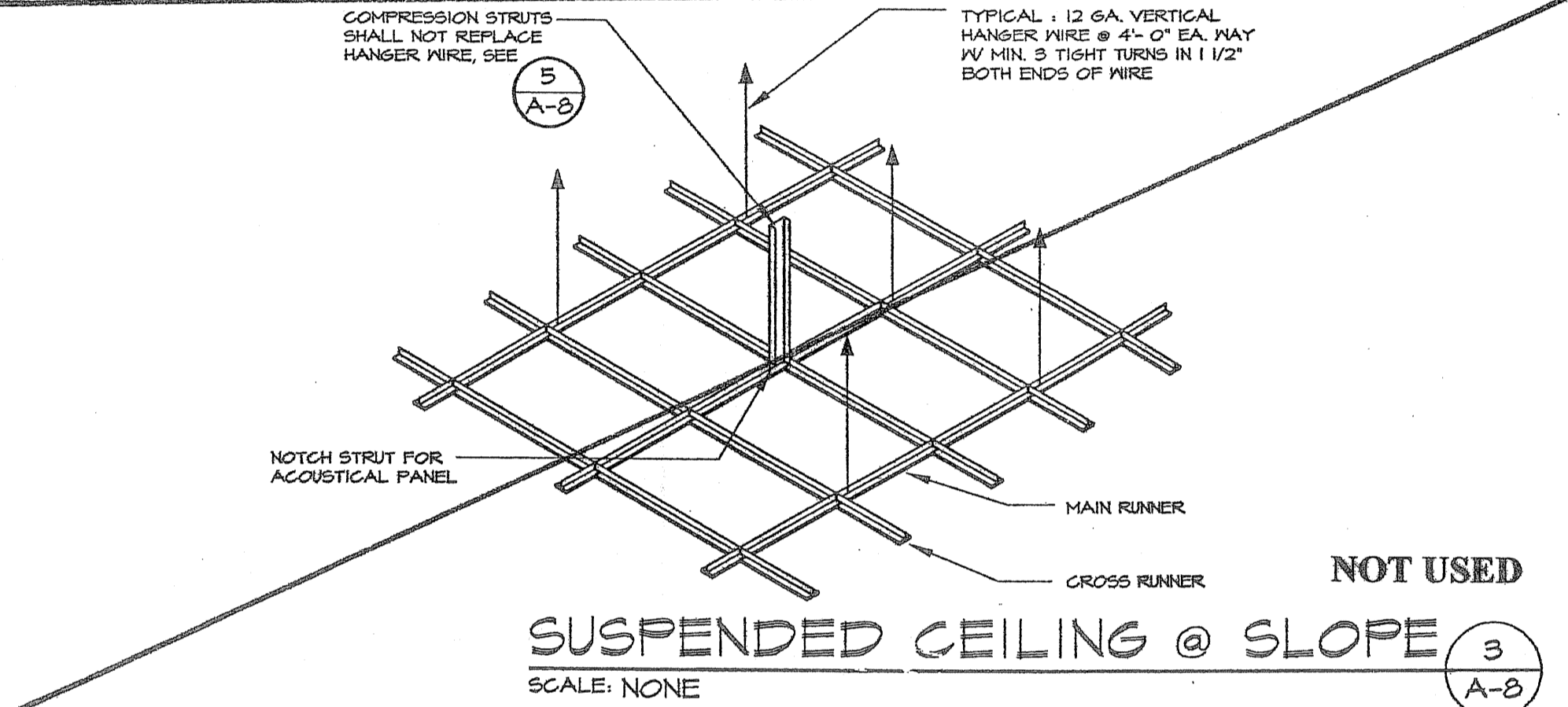
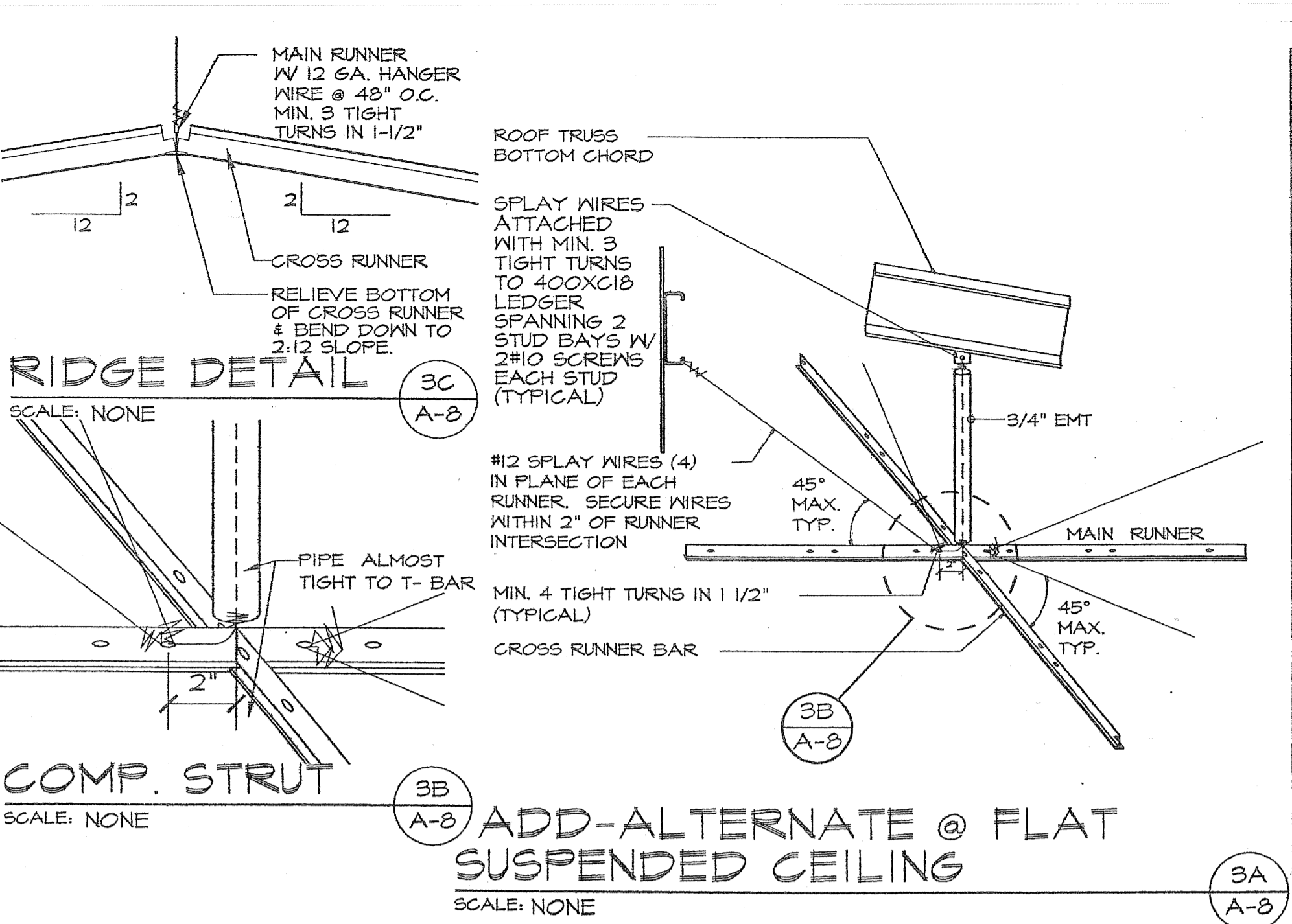


1
ADD-ALTERNATE STUCCO FINISH
HEADER, SILL, & JAMB
SCALE: 3" = 1'-0"



2
PLYWOOD FINISH
HEADER, SILL, & JAMB
SCALE: 3" = 1'-0"



REVISIONS	

COPYRIGHT © 2002 TO BE USED IN THE YEARS 2003 - 2005. SARAMARK, INCORPORATED

THESE PLAN DRAWINGS ARE PROPRIETARY DOCUMENTS OF SARAMARK, INCORPORATED & ARE NOT TO BE DISTRIBUTED, PUBLISHED OR REPRODUCED WITHOUT THE WRITTEN CONSENT OF SARAMARK INCORPORATED.

EC CONSULTING GROUP

1260 AVIATION AVE
SUITE 200F
SAN JOSE, CA 95110
TEL: (408) 294-8818

4000AX SERIES "EXPO 2001"

CLASSROOMS WITH 40' SPAN SCISSOR TRUSS

SARAMARK INCORPORATED

SERIES 4000AX EXPO

P.O. BOX 24369
SAN JOSE, CALIFORNIA 95124
TEL: (408) 971-3881
FAX: (408) 971-3834

TYPICAL EXTERIOR AND INTERIOR DETAILS

IDENTIFICATION STAMP
DIV. OF THE STATE ARCHITECT
OFFICE OF REGULATION SERVICES

PC 01-105106
AG: *[Signature]*
DATE: *11/17/02*

DRAWN: DESIGN TEAM
DATE: 11/15/02
CHECKED: DESIGN TEAM
SCALE: 1/4" = 1'-0"
PROJECT: 1226

IDENTIFICATION STAMP
DIV. OF THE STATE ARCHITECT
OFFICE OF REGULATION SERVICES

01-108848
AG: *[Signature]*
DATE: OCT 10 2007

A-8