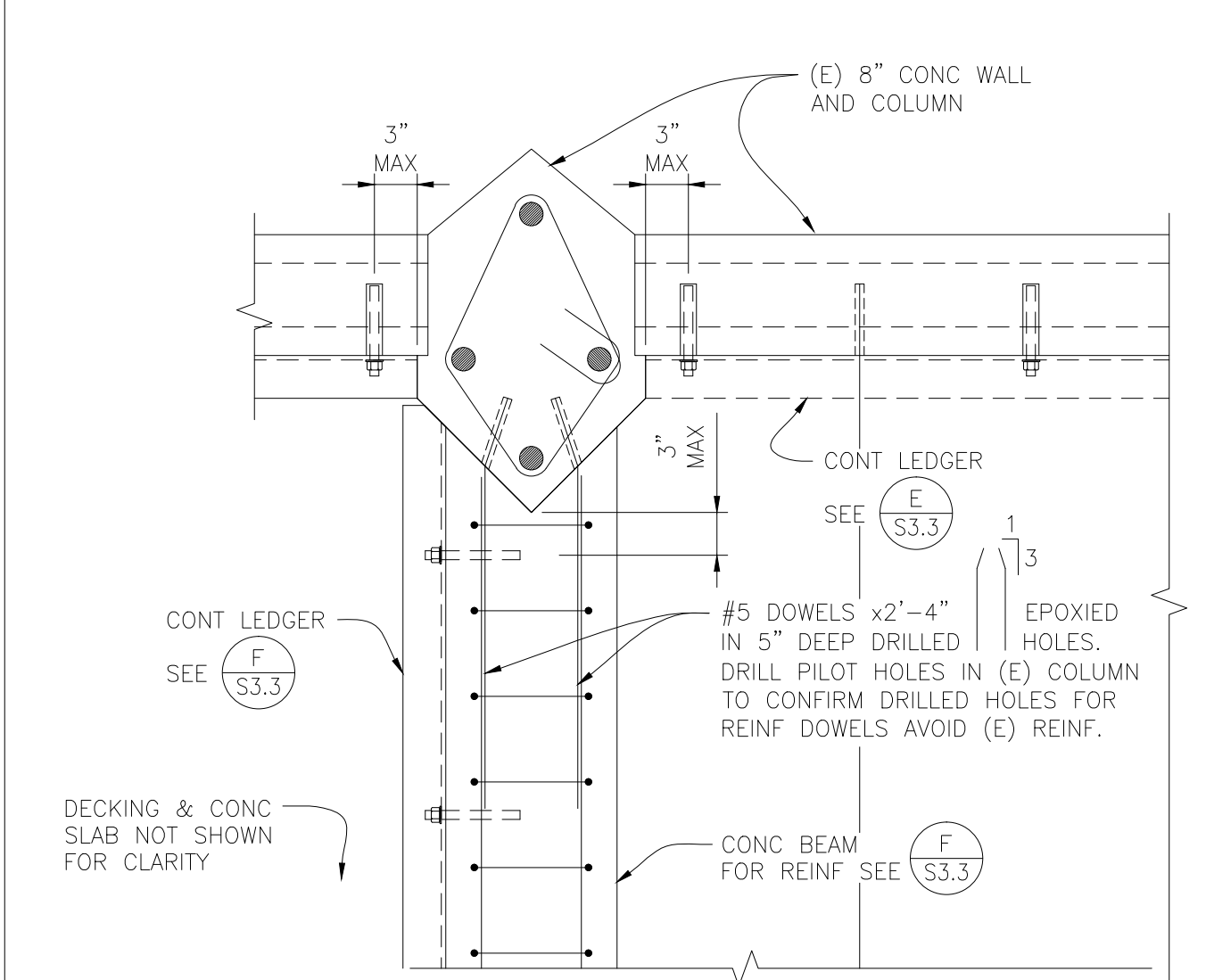
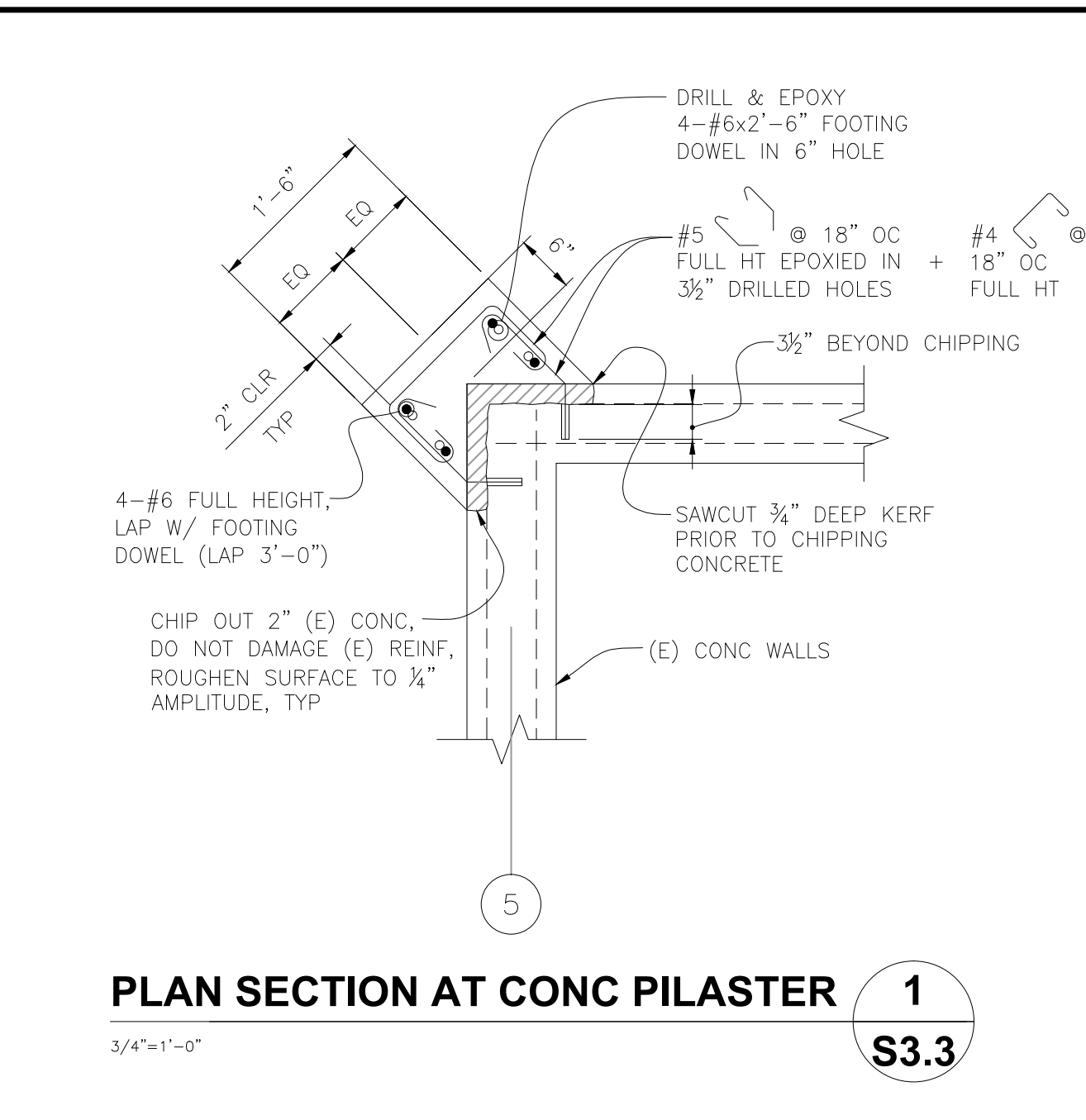


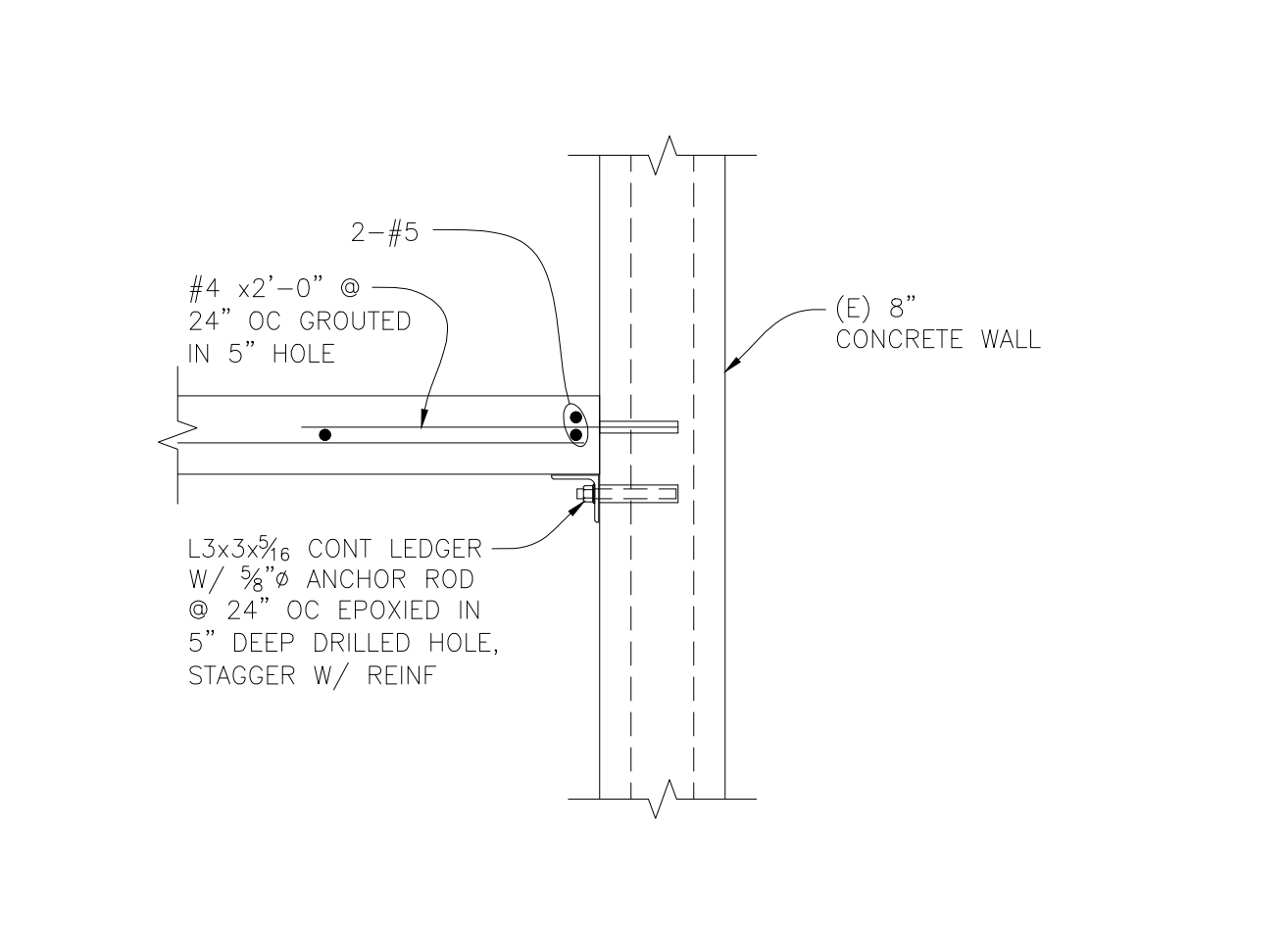
SECTION A
 1'-1'-0" S3.3



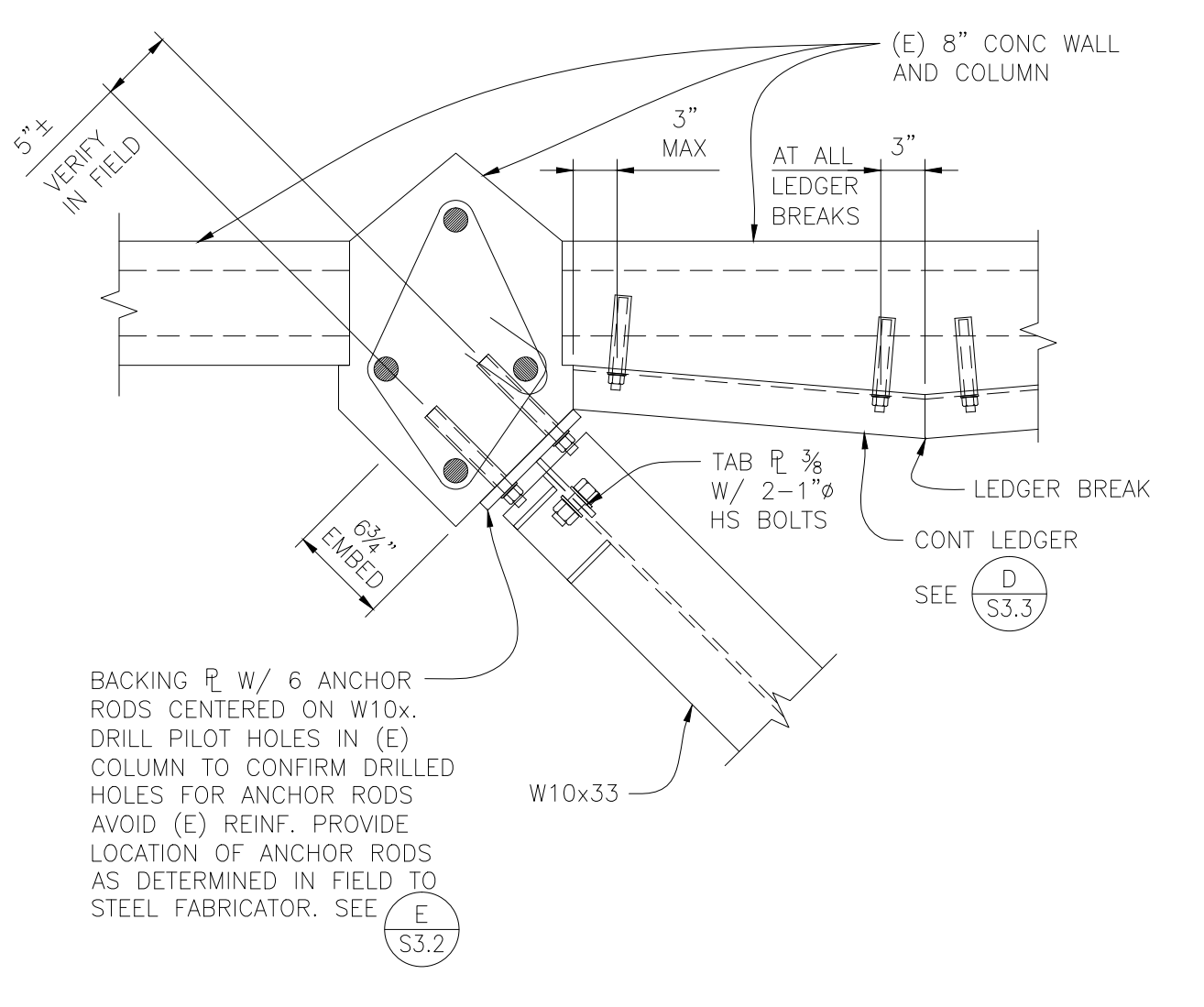
PLAN SECTION AT BLDG ENTRY 3
 1'-1'-0" S3.3



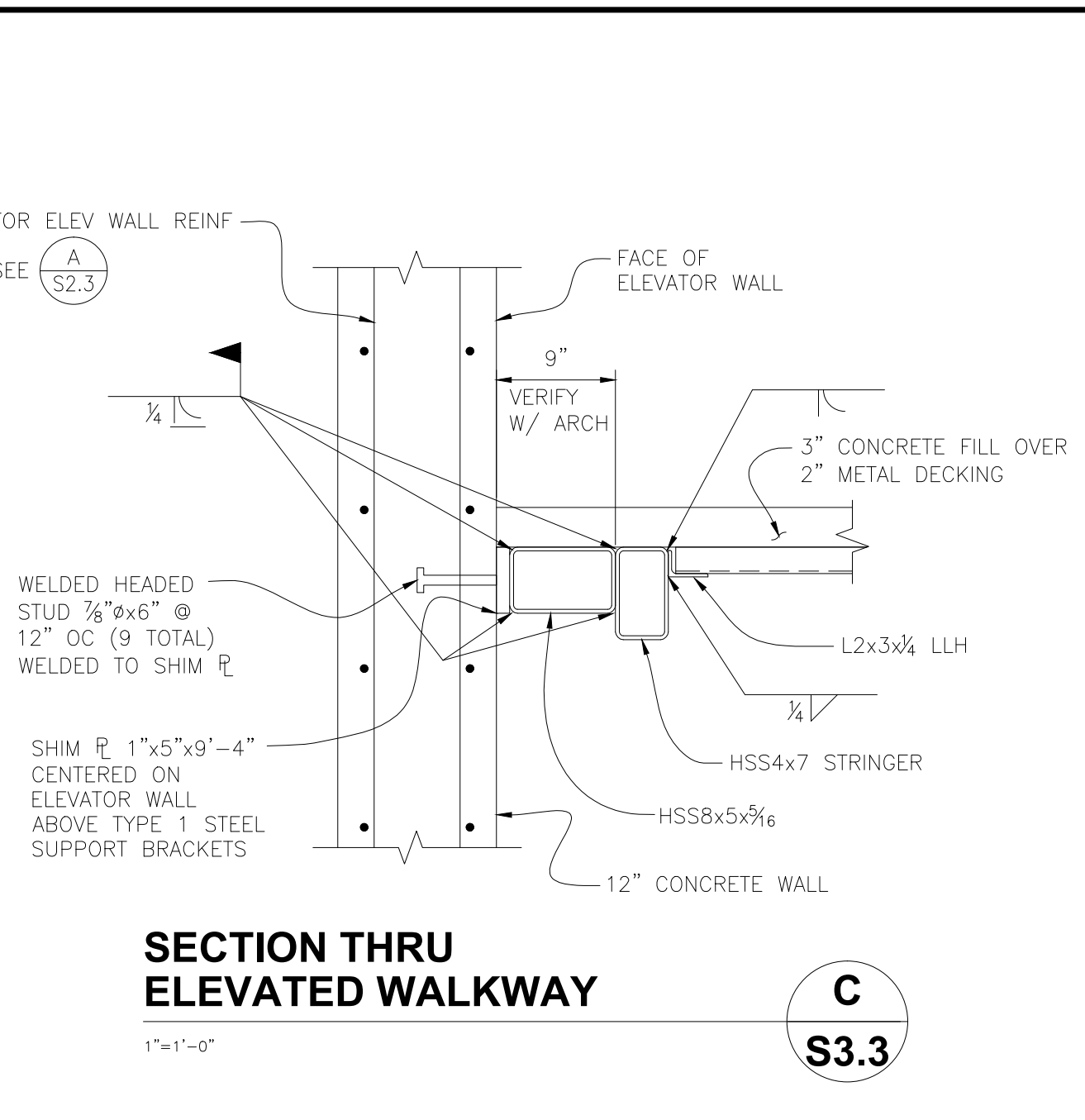
PLAN SECTION AT CONC PILASTER 1
 3/4"x1'-0" S3.3



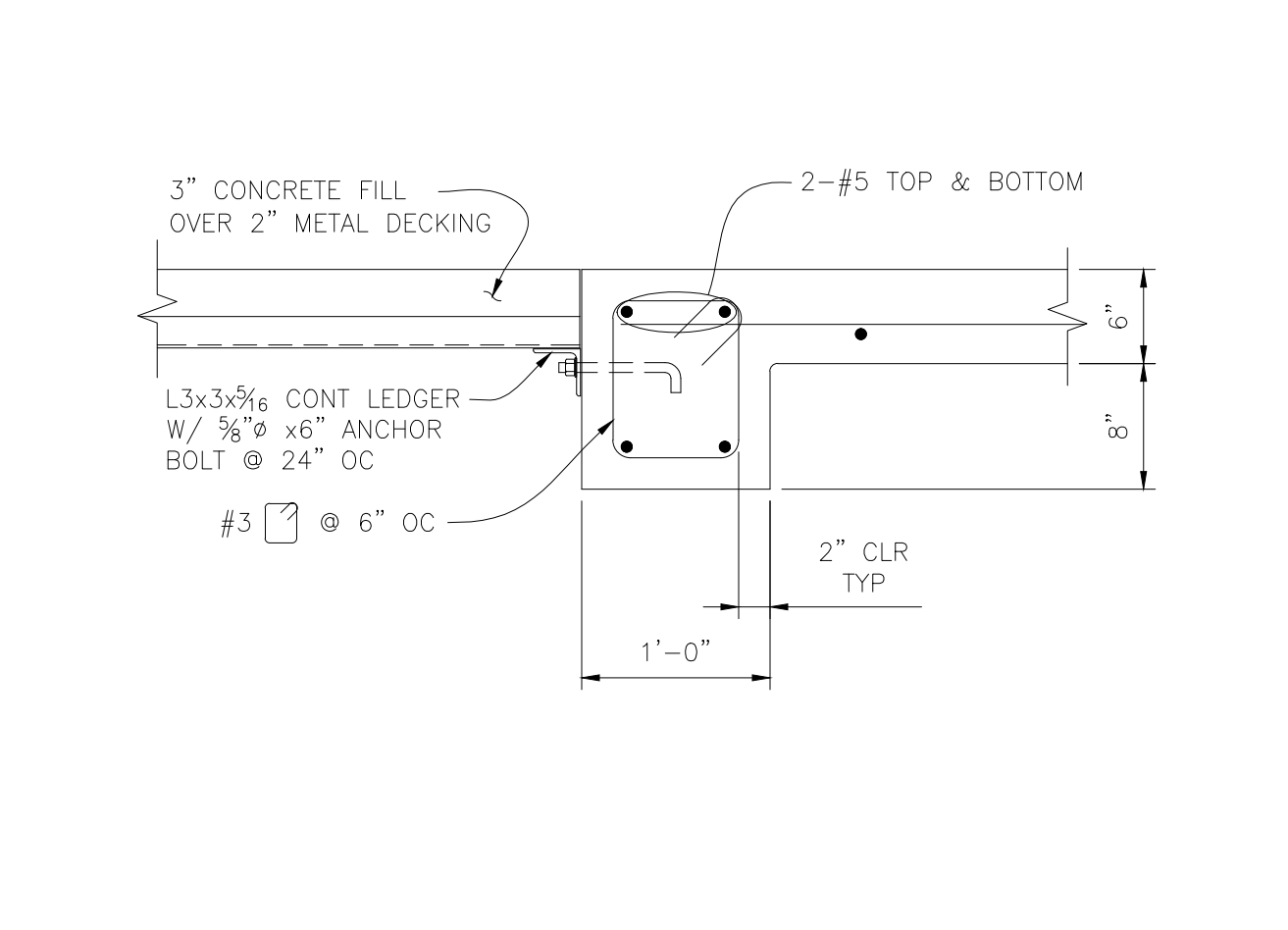
SECTION AT BLDG ENTRY E
 1'-1'-0" S3.3



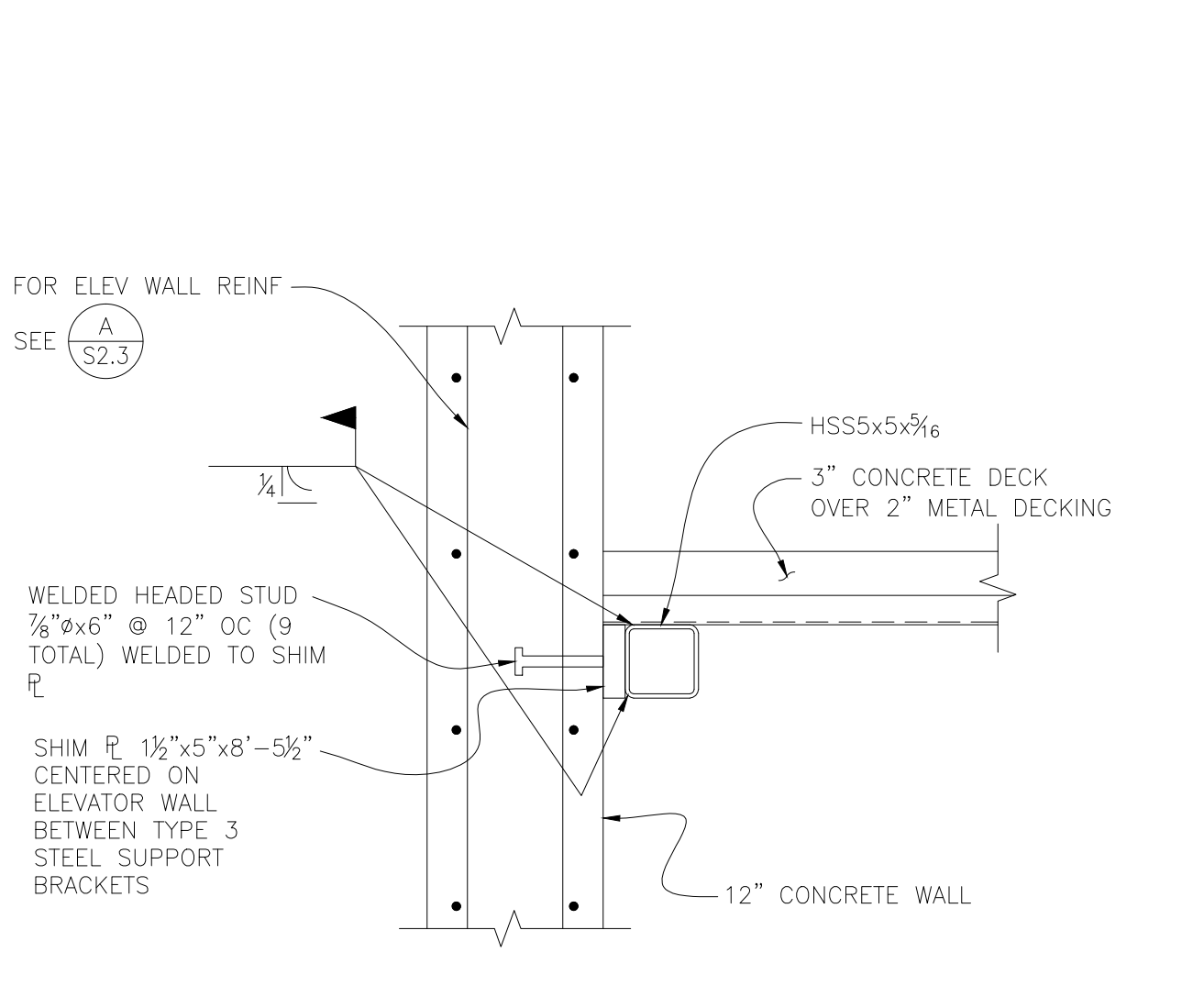
PLAN SECTION AT BLDG ENTRY 4
 1'-1'-0" S3.3



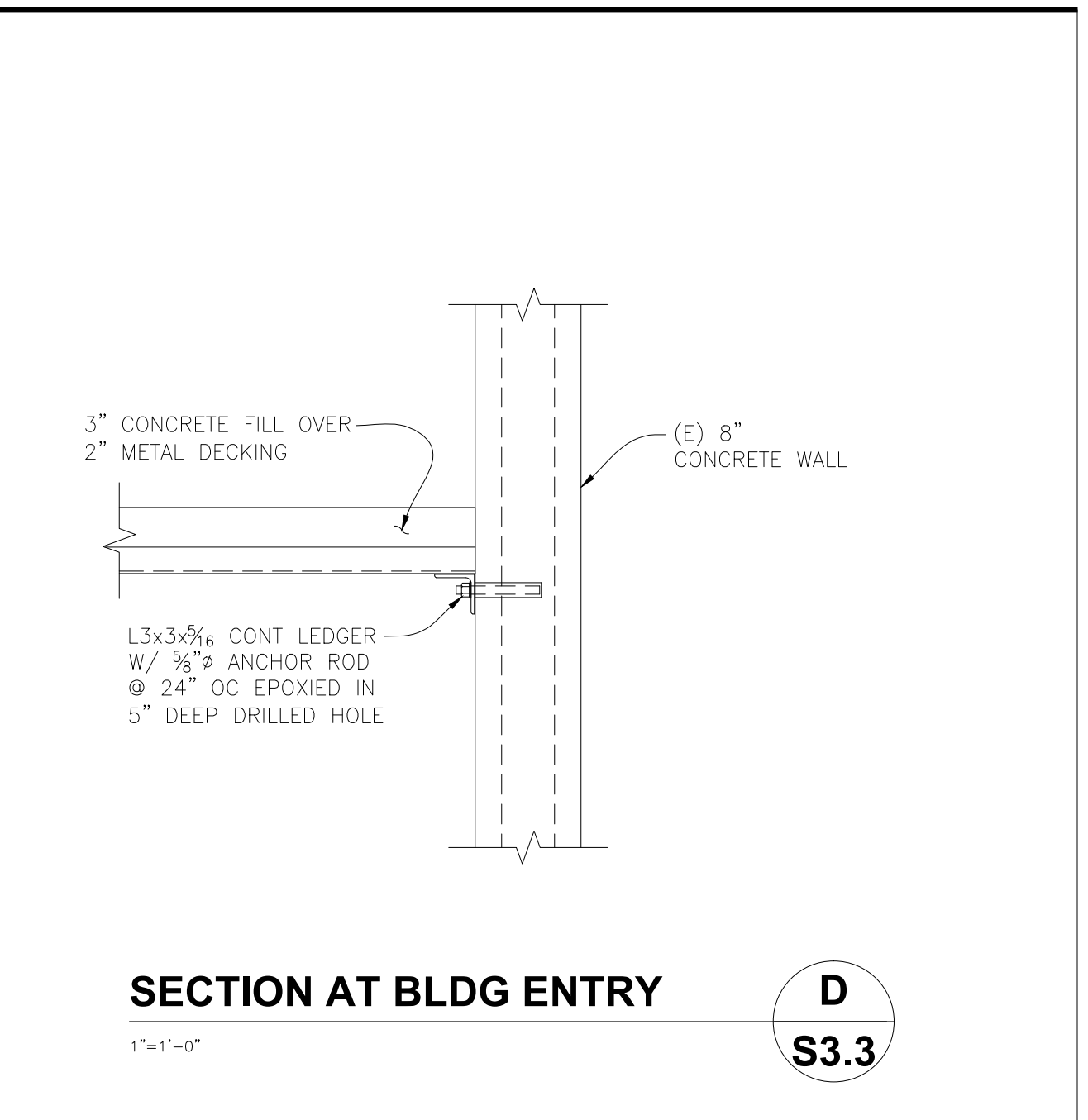
SECTION THRU ELEVATED WALKWAY C
 1'-1'-0" S3.3



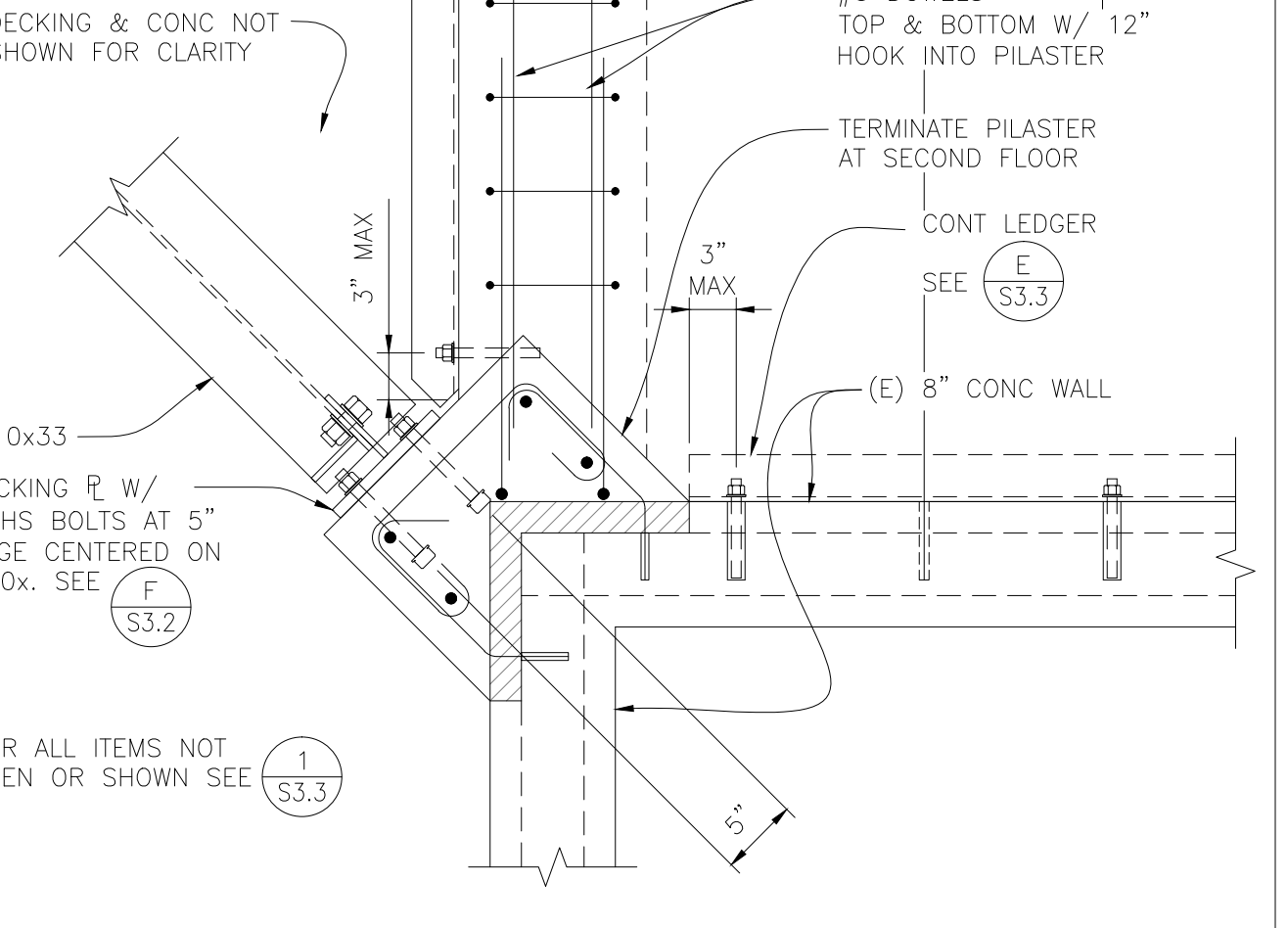
SECTION AT BLDG ENTRY F
 1'-1'-0" S3.3



SECTION AT TOWER THRU ELEVATED WALKWAY L
 1'-1'-0" S3.3



SECTION AT BLDG ENTRY D
 1'-1'-0" S3.3



PLAN SECTION AT BLDG ENTRY 2
 1'-1'-0" S3.3



222 SUTTER STREET, 9TH FLOOR
 SAN FRANCISCO, CALIFORNIA 94108
 phone 415.777.9422 fax 415.777.2755 2417 bparch.com



consultant
CORNERSTONE
 structural engineering group
 40 Federal Street
 San Francisco, California 94107
 415.369.9100
 fax 415.369.9101

project title
SMCCCD COLLEGE OF SAN MATEO FINE ARTS COMPLEX BUILDINGS 2 & 4 RENOVATIONS INCREMENT 2
 344 CSM DRIVE
 SAN MATEO, CA 94402

agency approvals

IDENTIFICATION STAMP	DATE	FLS	SS
DIVISION OF THE STATE ARCHITECT			

APPL. No. 01 - 109243

date	description
03.13.2008	PRICING SET
05.08.2008	INCREMENT 2 DSA SUBMITTAL
10.14.2008	DSA RESPONSE
11.04.2010	RECORD DRAWINGS

sheet title
DETAILS No.4

project no. 2707.01

sheet no. **S3.3**