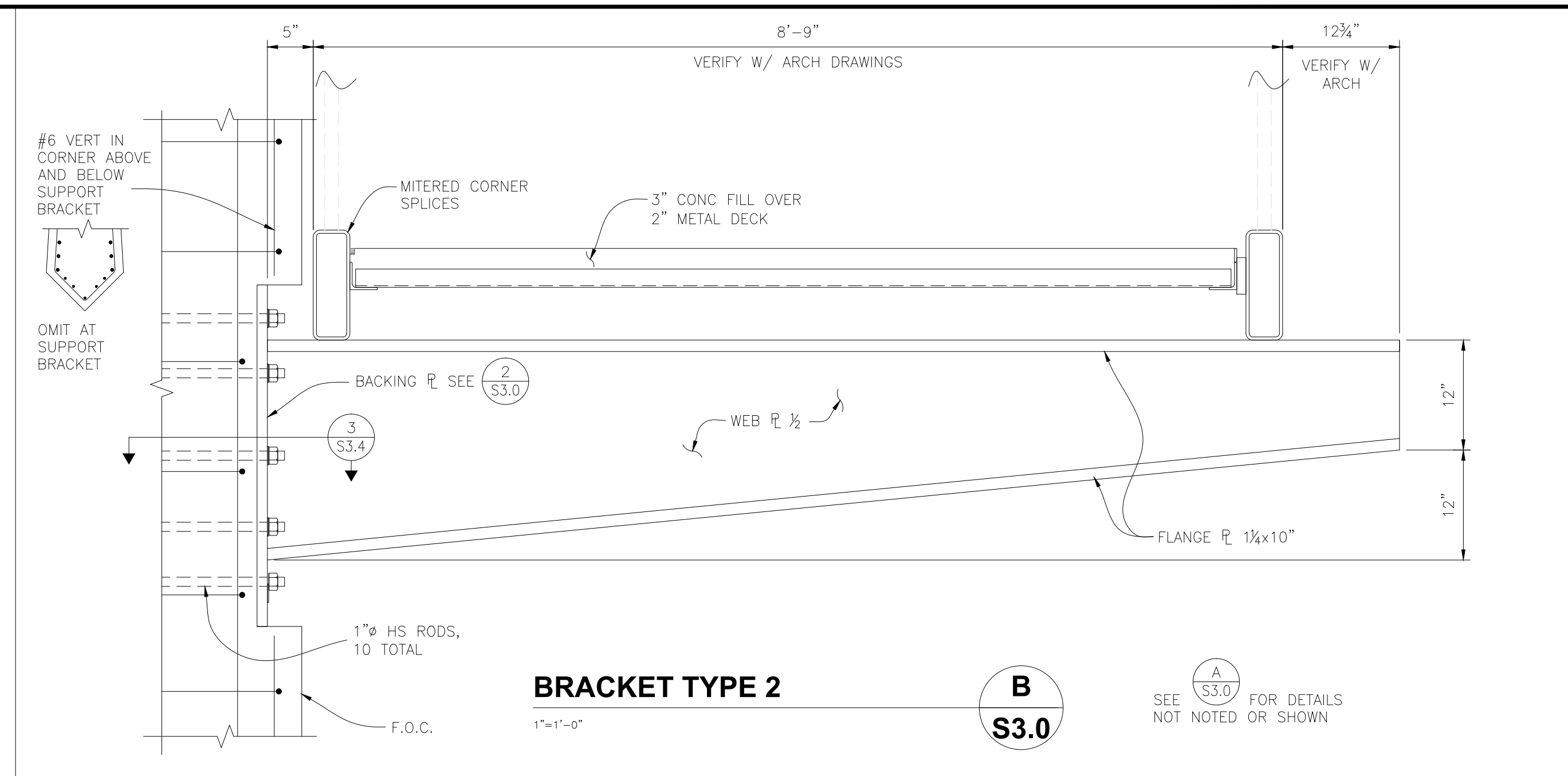


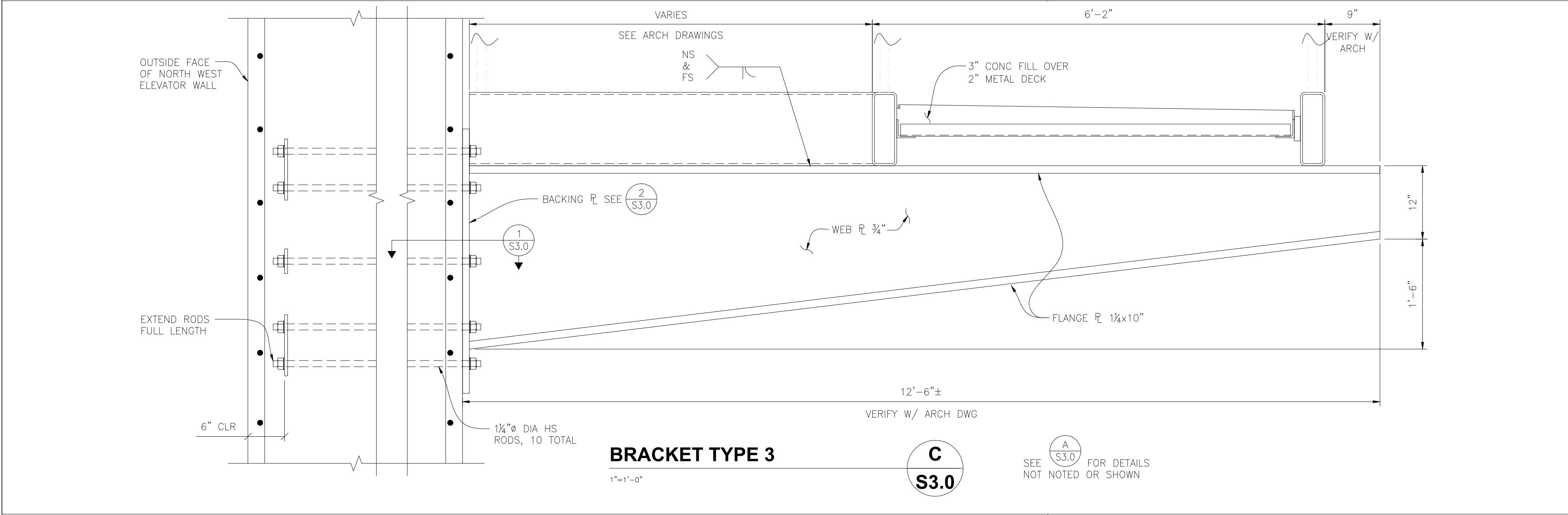
**BRACKET TYPE 1**

**A**  
**S3.0**



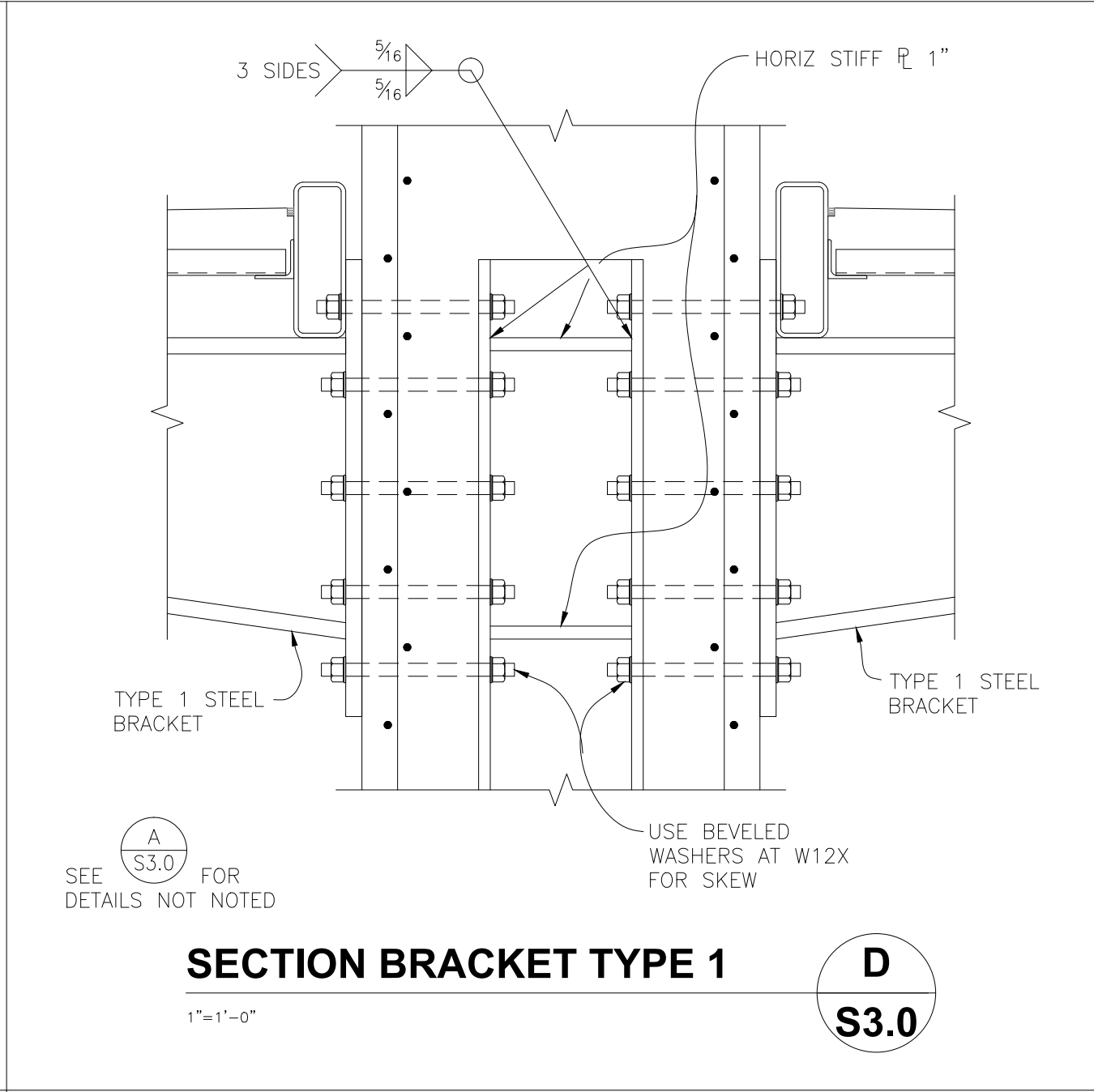
**BRACKET TYPE 2**

**B**  
**S3.0**



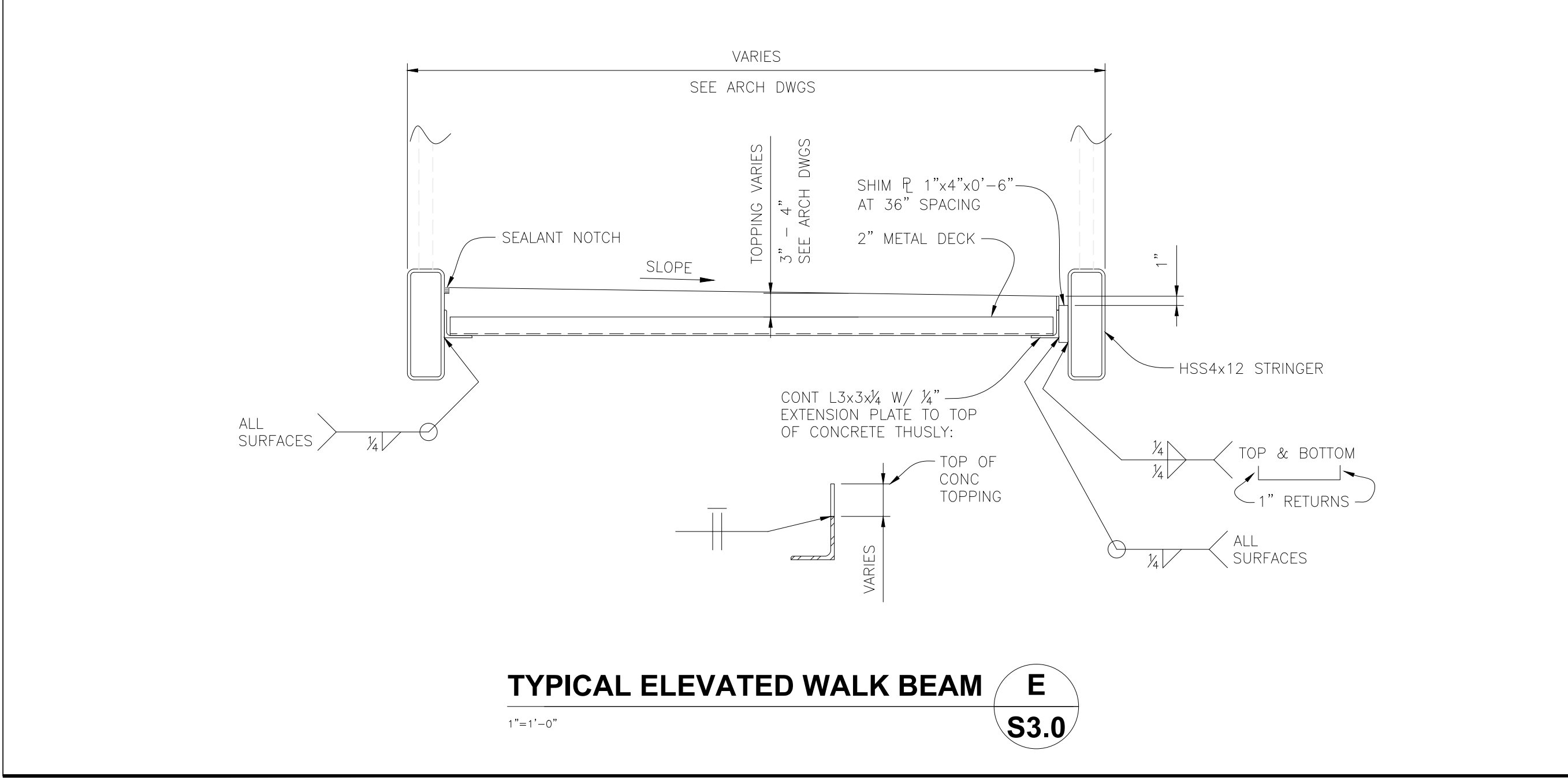
**BRACKET TYPE 3**

**C**  
**S3.0**



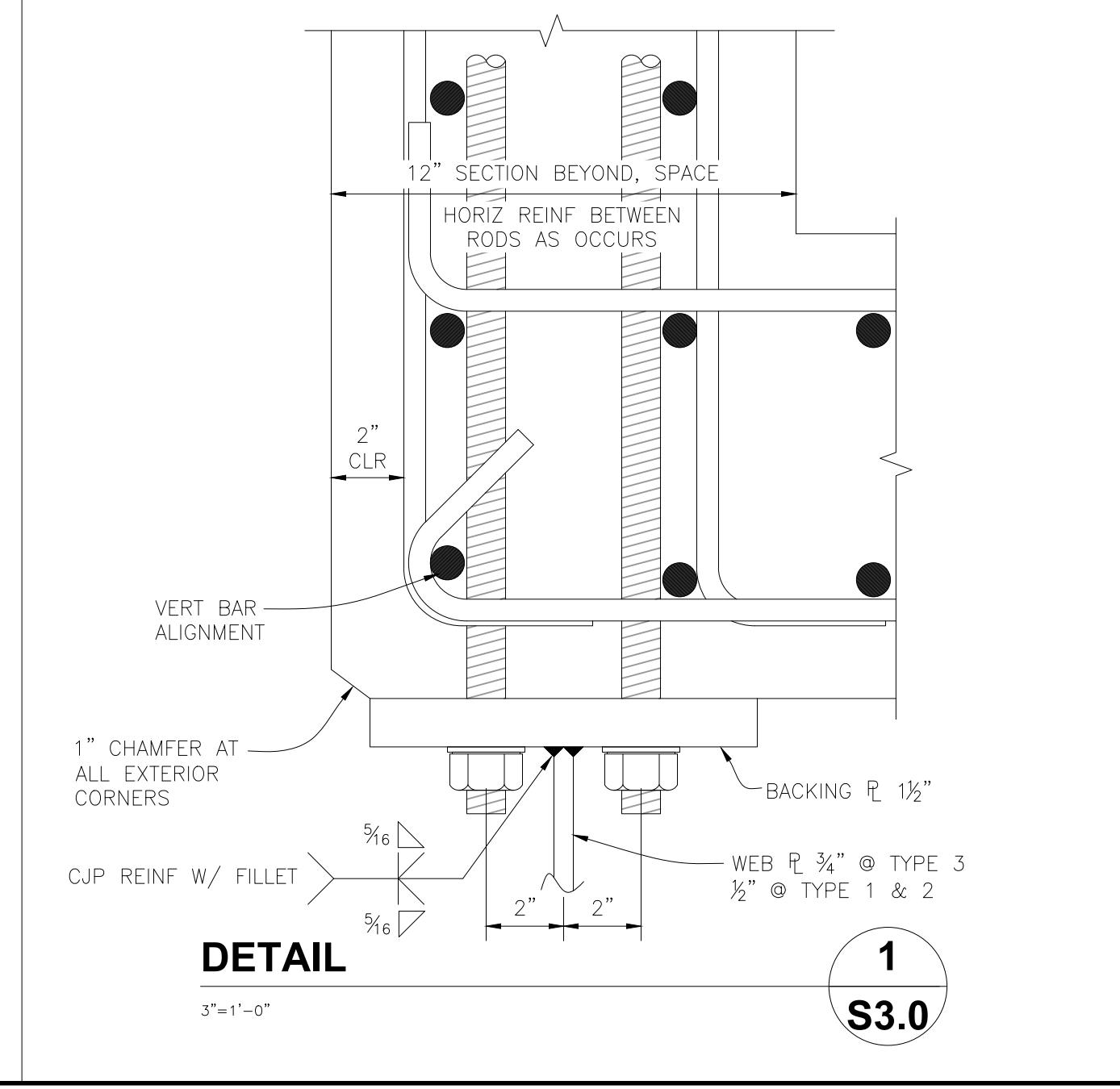
**SECTION BRACKET TYPE 1**

**D**  
**S3.0**



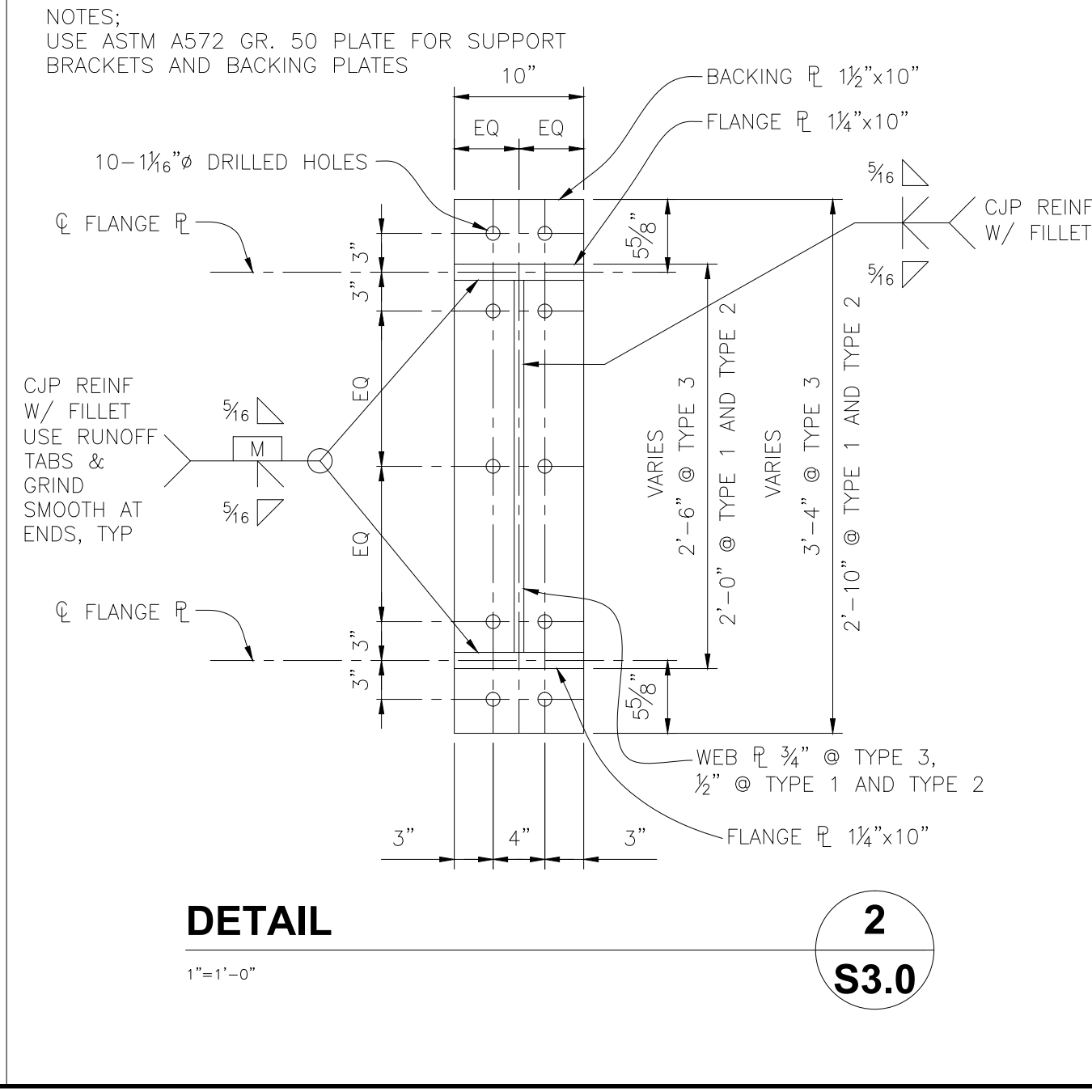
**TYPICAL ELEVATED WALK BEAM**

**E**  
**S3.0**



**DETAIL**

**1**  
**S3.0**

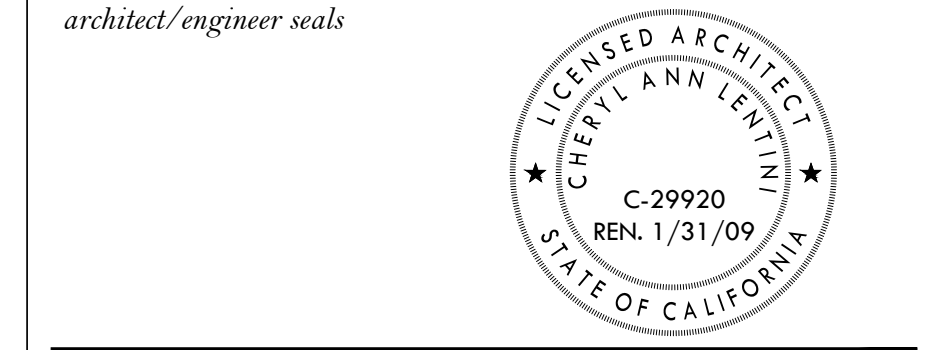


**DETAIL**

**2**  
**S3.0**



222 SUTTER STREET, 9TH FLOOR  
SAN FRANCISCO, CALIFORNIA 94108  
phone 415.777.9422 fax 415.777.2755 24/7 bparch.com



consultant  
**CORNERSTONE**  
structural engineering group  
40 Federal Street  
San Francisco, California 94107  
415.369.9100  
fax 415.369.9101

project title  
**SMCCCD**  
**COLLEGE OF SAN MATEO**  
**FINE ARTS COMPLEX**  
**BUILDINGS 2 & 4**  
**RENOVATIONS**  
**INCREMENT 2**  
344 CSM DRIVE  
SAN MATEO, CA 94402

agency approvals

date	description
03.13.2008	PRICING SET
05.08.2008	INCREMENT 2 DSA SUBMITTAL
10.14.2008	DSA RESPONSE
11.04.2010	RECORD DRAWINGS

sheet title  
**DETAILS No.1**

project no. 2707.01  
sheet no.

**S3.0**

© Beverly Prior Architects, Inc. 2007 | All Rights Reserved