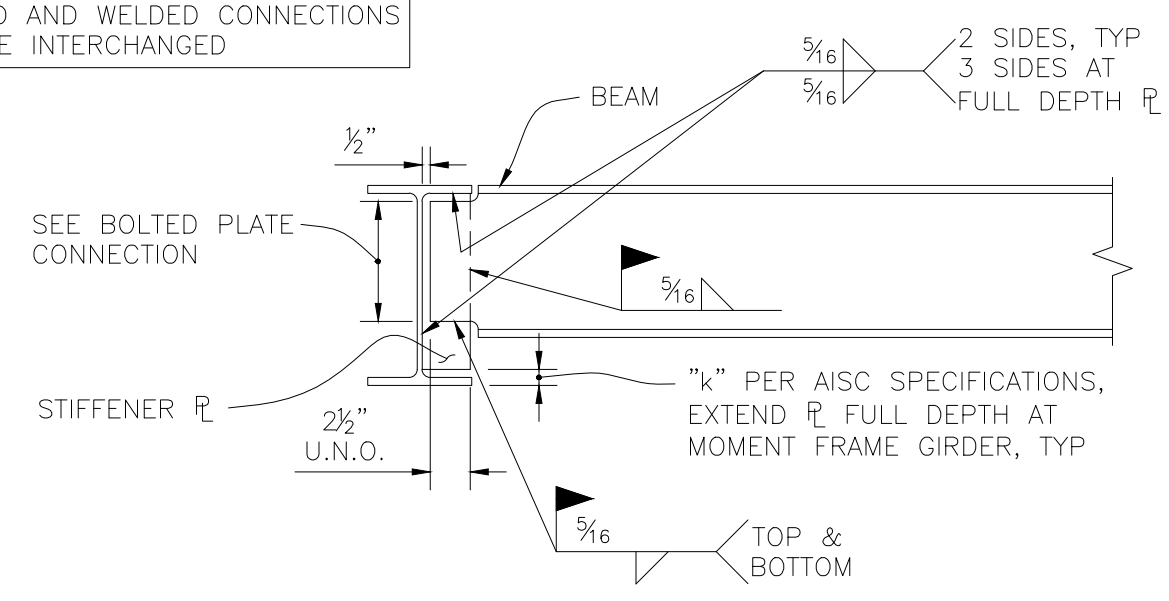


BOLTED PLATE CONNECTION

NOTE: BOLTED AND WELDED CONNECTIONS MAY BE INTERCHANGED

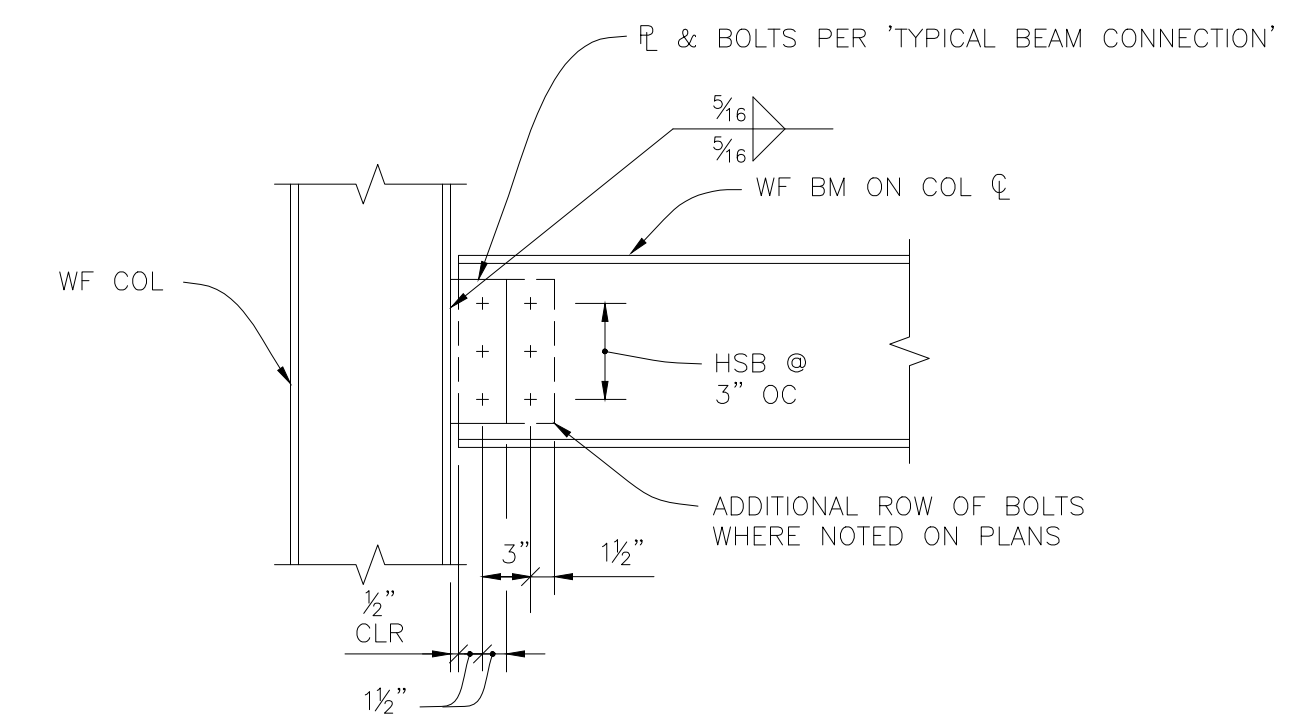


WELDED PLATE CONNECTION

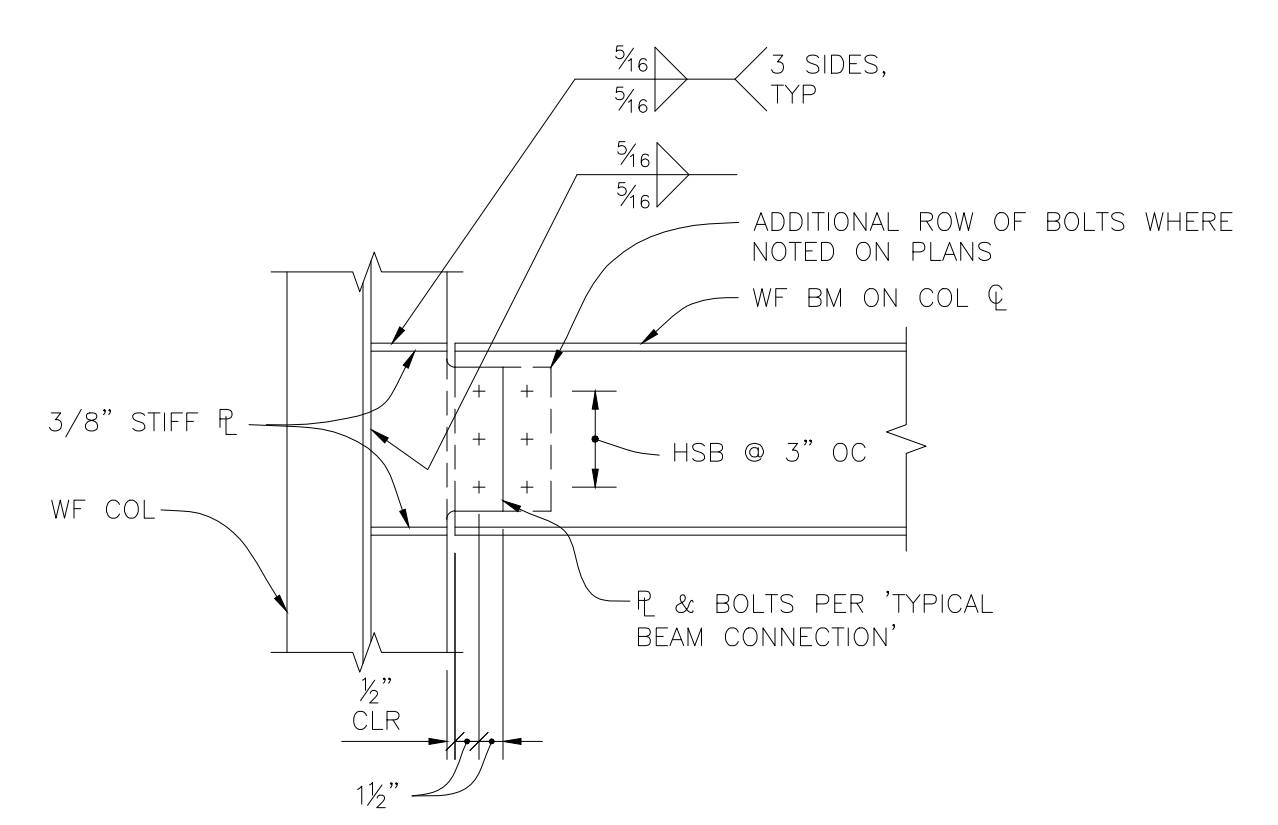
BEAM SIZE	NUMBER OF BOLTS	BOLTS AT FLOOR LEVELS	STIFF PLATE * THICKNESS
W8-W10	2	3/4" HS	3/8"
W12-W14	3	3/4" HS	3/8"
W16	4	3/4" HS	3/8"
W18, W21	5	3/4" HS	3/8"
W24	6	3/4" HS	1/2"
W27	7	3/4" HS	1/2"
W30	8	3/4" HS	1/2"
W36	9	3/4" HS	1/2"

* USE WEB THICKNESS OF SUPPORTED BEAM WHEN IT EXCEEDS TABULATED VALUES

TYPICAL BEAM CONNECTION 1
S1.2



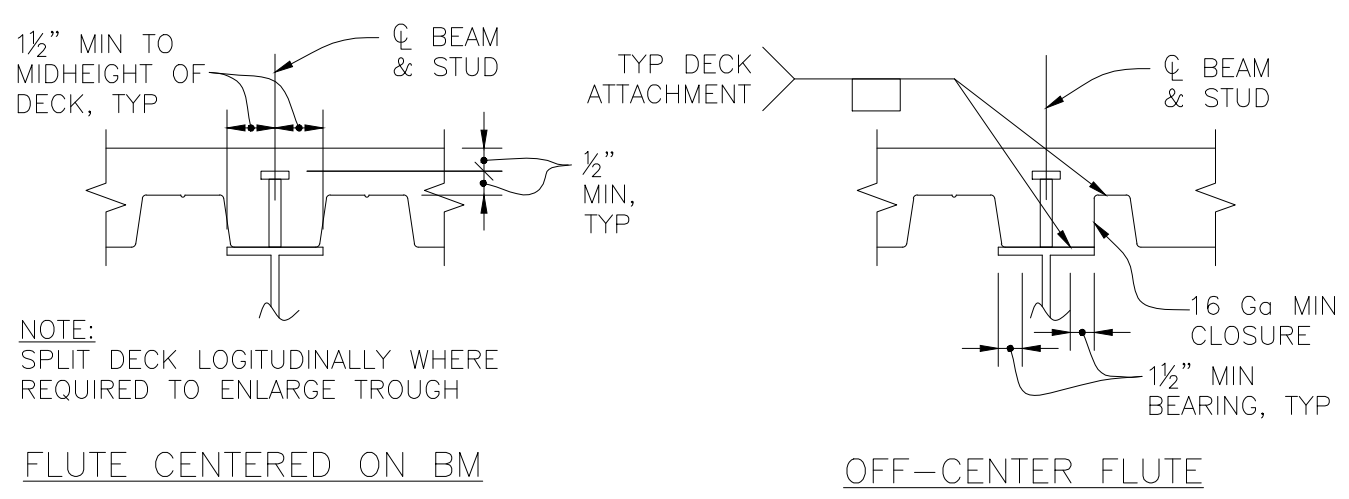
BEAM TO COLUMN FLANGE



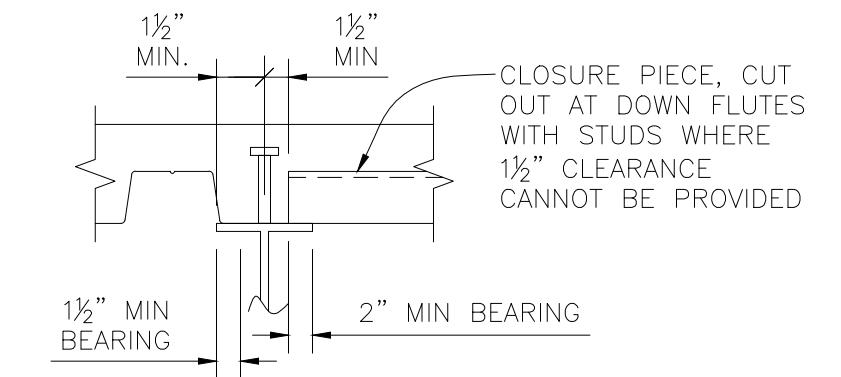
BEAM TO COLUMN WEB

NOTE: FOR BOLT EDGE DISTANCE & SPACING, SEE AISC SPECIFICATIONS

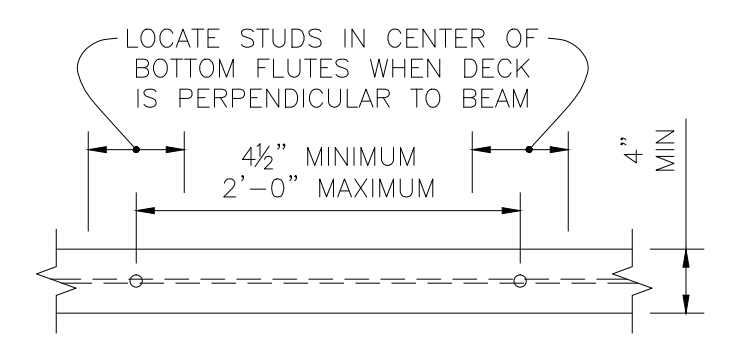
TYPICAL BEAM - WF COLUMN CONNECTION 2
S1.2



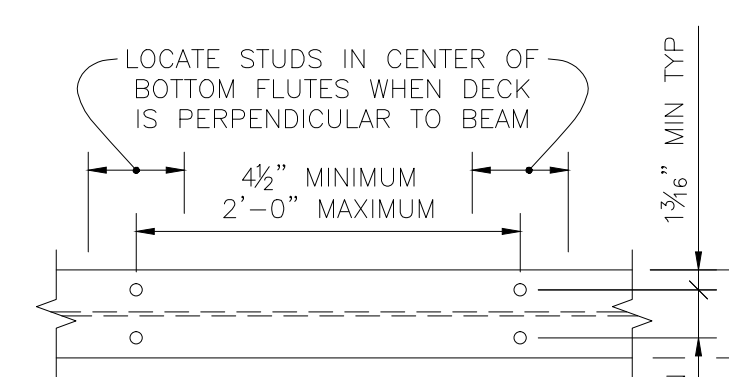
FLUTE CENTERED ON BM **OFF-CENTER FLUTE**



CHANGE OF DECK DIRECTION



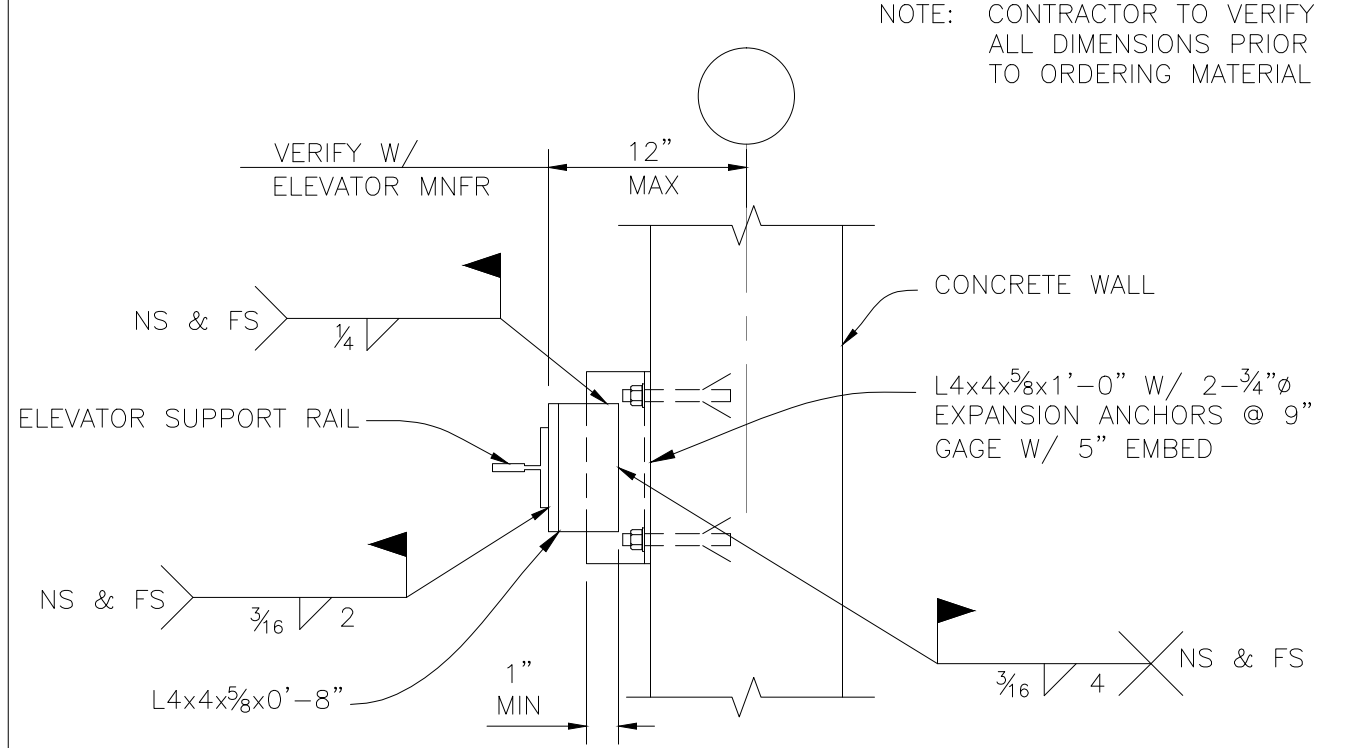
SINGLE ROW - PLAN



MULTIPLE ROWS - PLAN

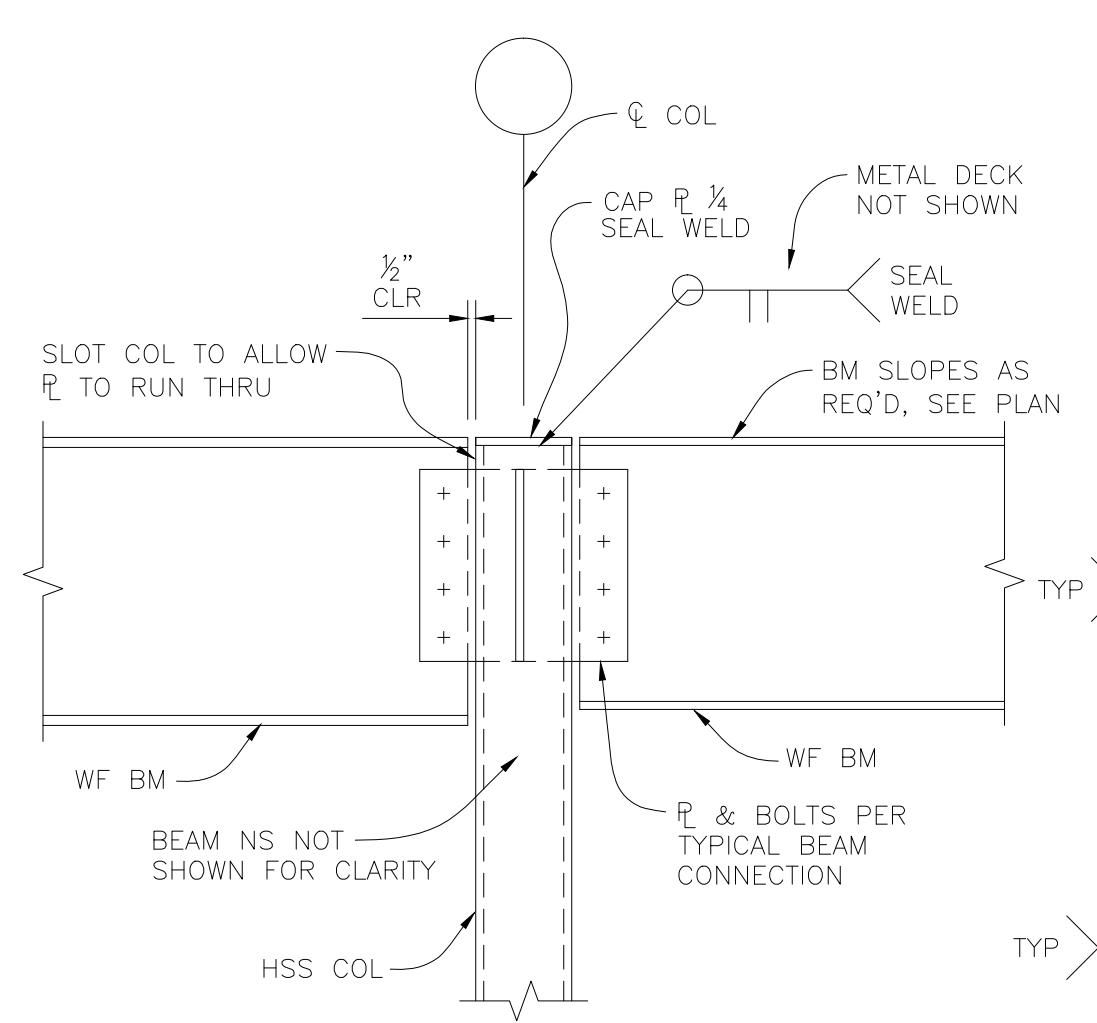
NOTES:
1. WHERE WELDED STUDS FILL EVERY FLUTE, REMAINING STUDS SHALL BE INSTALLED ON TWO OR MORE ROWS STARTING AT EACH END OF BEAM OR GIRDER.
2. WELDED STUDS ARE EQUALLY SPACED UNLESS OTHERWISE NOTED ON PLANS, IF EQUAL SPACING IS NOT POSSIBLE DUE TO DECK CONFIGURATION, THE STRUCTURAL ENGINEER MUST BE NOTIFIED.

TYPICAL DECK AND WELDED STUD PLACEMENT 3
S1.2

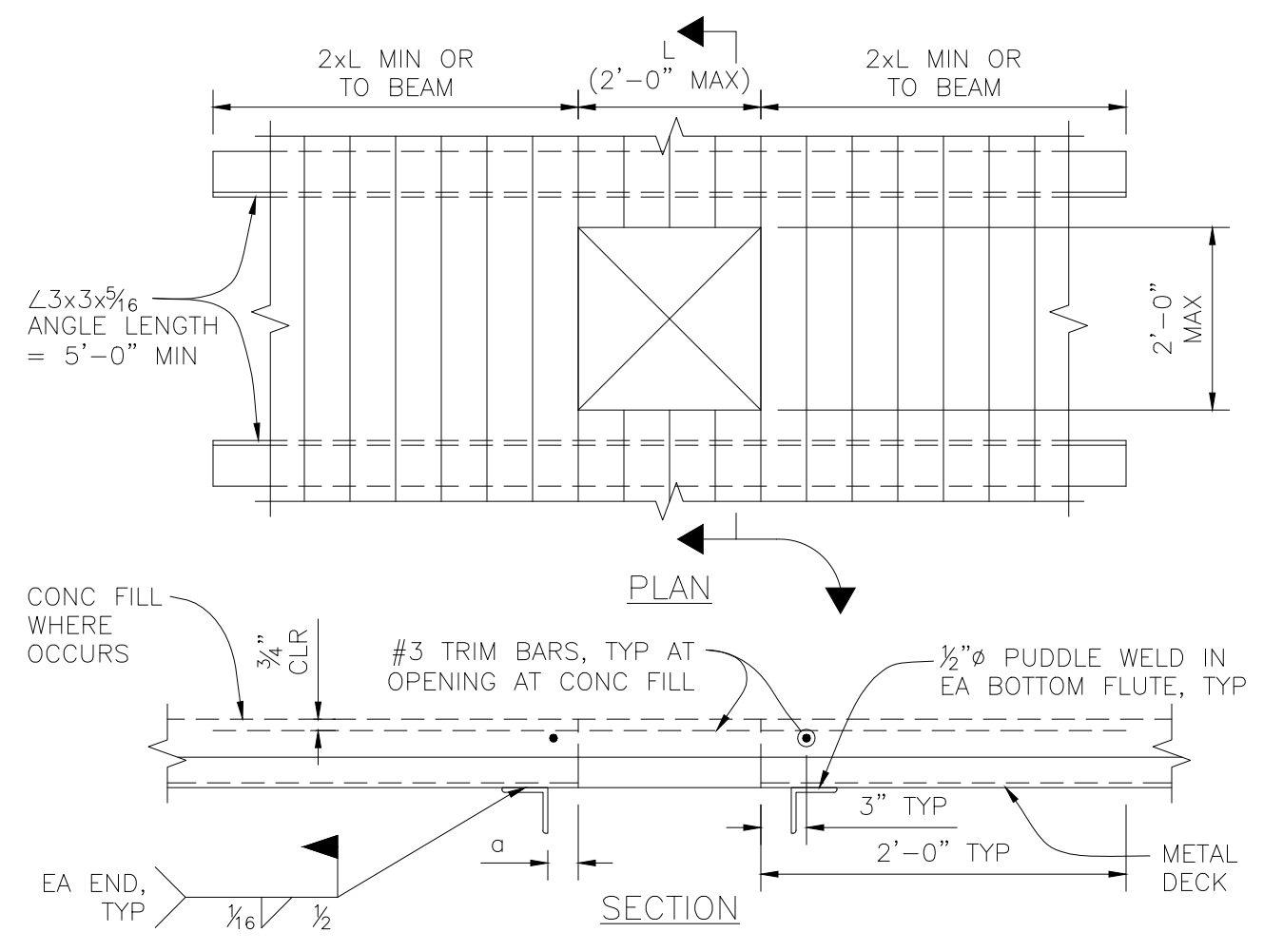
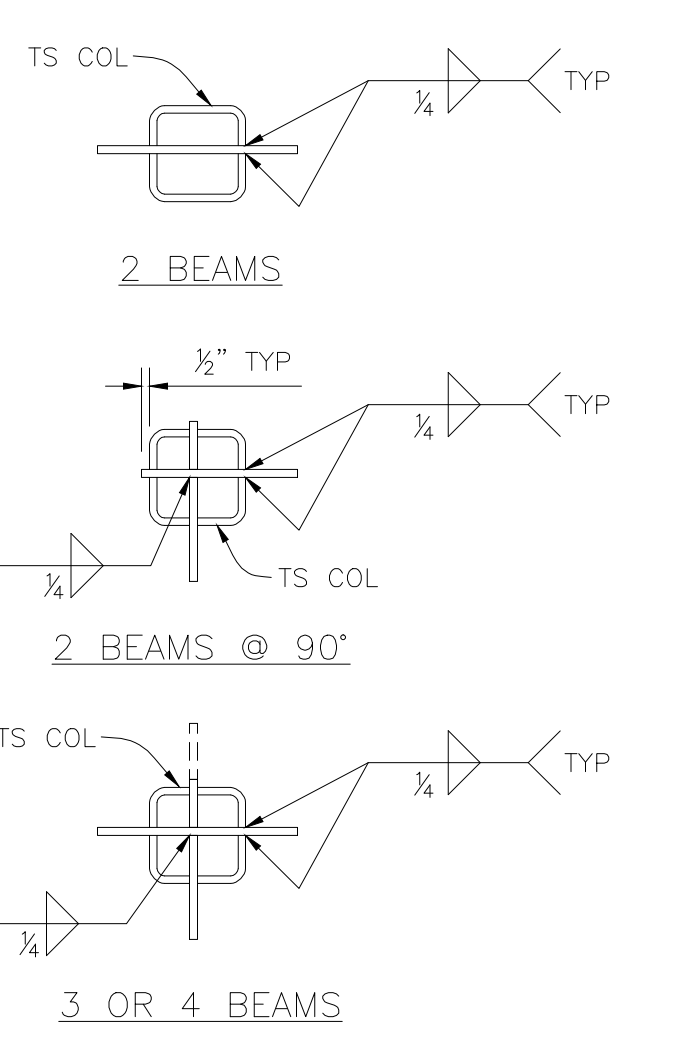


NOTE: CONTRACTOR TO VERIFY ALL DIMENSIONS PRIOR TO ORDERING MATERIAL

TYPICAL ELEVATOR SUPPORT RAIL CONNECTIONS 4
S1.2

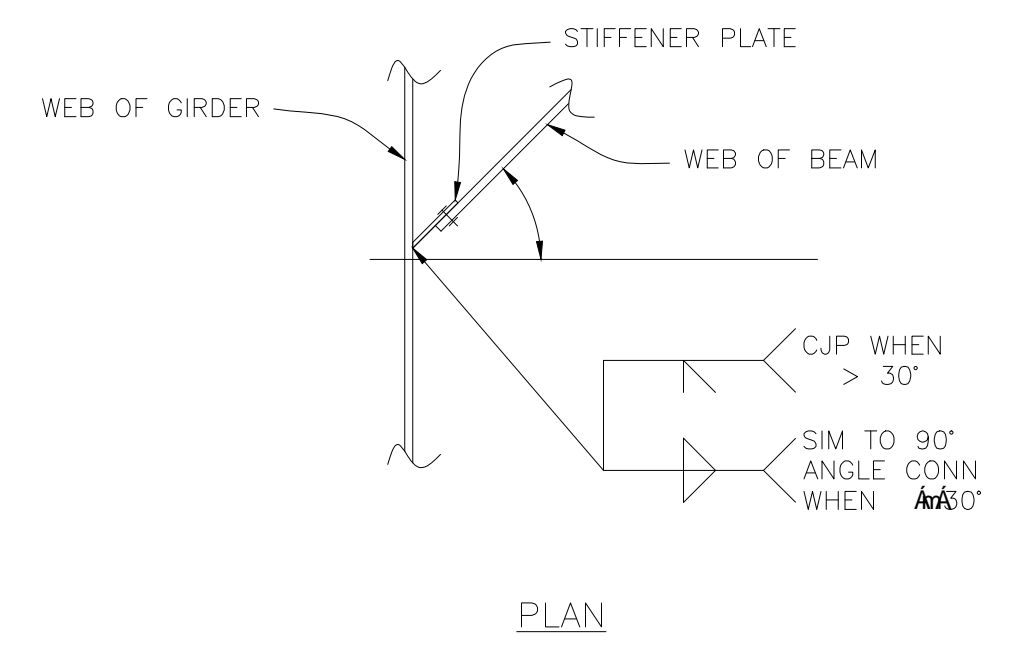


TYP BEAM TO TOP OF HSS COL CONNECTION 5
S1.2



NOTE: THESE OPENINGS ARE NOT SHOWN ON FRAMING PLANS. a = 2" TYP, ADJACENT 2x3s MAY BE OMITTED WHERE DISTANCE "a" TO BEAM FLANGE IS 8" OR LESS.

TYPICAL SMALL DECK PENETRATION 6
S1.2



NOTE: SEE BOLTED PLATE CONNECTION FOR DETAILS NOT NOTED

TYPICAL SKEWED BEAM CONNECTION 7
S1.2

BEVERLY PRIOR architects

222 SUTTER STREET, 9TH FLOOR
SAN FRANCISCO, CALIFORNIA 94108
phone 415.777.9422 fax 415.777.2755 24/7 bparch.com

architect/engineer seals



consultant

CORNERSTONE
structural engineering group



40 Federal Street
San Francisco, California 94107
415.369.9100
fax 415.369.9101

project title

SMCCCD COLLEGE OF SAN MATEO FINE ARTS COMPLEX BUILDINGS 2 & 4 RENOVATIONS INCREMENT 2

344 CSM DRIVE
SAN MATEO, CA 94402

agency approvals

IDENTIFICATION STAMP
DIVISION OF THE STATE ARCHITECT

APPL. No. 01 - 109243

AC _____ FLS _____ SS _____
DATE _____

date

date	description
03.13.2008	PRICING SET
05.08.2008	INCREMENT 2 DSA SUBMITTAL
10.14.2008	DSA RESPONSE
11.04.2010	RECORD DRAWINGS

sheet title

TYPICAL DETAILS No.2

project no.

2707.01

sheet no.

S1.2

© Beverly Prior Architects, Inc. 2007 | All Rights Reserved

C:\Users\pripri\Documents\2707\2707_01\2707_01_02 - 2707_01_02.dwg - 2707_01_02.dwg - 2707_01_02.dwg - 2707_01_02.dwg - 2707_01_02.dwg