

1/28/08

87 COR'S

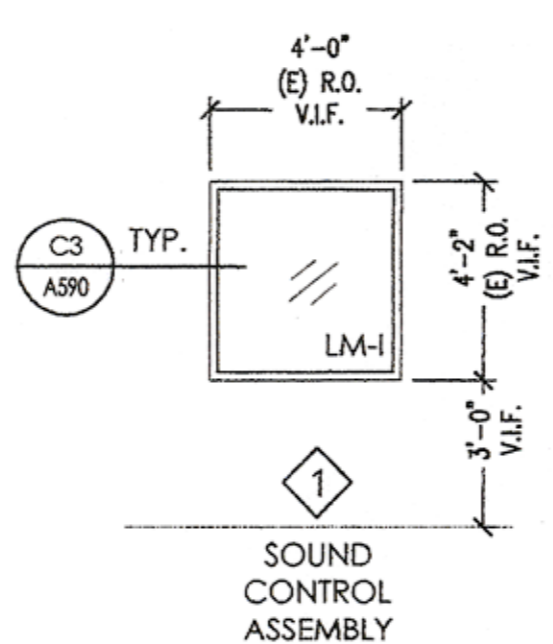
Table for Building 2 Door Schedule. Columns include Door Mark, Room Name, Size (Width, Height, Thick), Door Type, Matl., Face/Finish, Glaz., Frame Type, Matl., Face/Finish, Details (Head, Jamb, Thresh-Hold), Fire Rating, Hardware Group, Signage, and Remark.

Table for Building 2 Door Schedule. Columns include Door Mark, Room Name, Size (Width, Height, Thick), Door Type, Matl., Face/Finish, Glaz., Frame Type, Matl., Face/Finish, Details (Head, Jamb, Thresh-Hold), Fire Rating, Hardware Group, Signage, and Remark.

REVISED DOOR SCHEDULE (SEE PLAN) ADD DOOR 154B

- DOORS AND FRAMES - MATERIALS: (E) EXISTING TO REMAIN, (E)/RF (E) HM WITH FRP RETRO-FIT SYSTEM INSERT, AL ALUMINUM, FRP FIBERGLASS-REINFORCED PLASTIC, SC SOLID CORE WOOD, WD WOOD, WM WIRE MESH.
- DOORS AND FRAMES - FACING/ FINISHES: (E) EXISTING TO REMAIN, AL ALUMINUM, CF VENEER W/ CLEAR FINISH BOTH SIDES, FF FACTORY FINISHED, FP FACTORY PRIMED/ FIELD PAINTED, FRP FIBERGLASS-REINFORCED PLASTIC.

D4 MATERIAL AND FACE/ FINISH KEY DOORS AND FRAMES



- GLAZING TYPES: (E) EXISTING TO REMAIN, FS20 FIRE-RATED SAFETY GLASS, 20 MINUTE, FS020 FIRE-RATED SAFETY GLASS, 20 MINUTE, OBSCURED, LM LAMINATED GLASS, LM-I LAMINATED INSULATED, LMO LAMINATED GLASS, OBSCURED.
- HARDWARE GROUP TYPE: (E) (E) HARDWARE TO REMAIN, 1-99 SEE SPECIFICATIONS.

BEVERLY PRIOR architects logo and contact information.

222 SUTTER STREET, 9TH FLOOR SAN FRANCISCO, CALIFORNIA 94108 phone 415.777.9422 fax 415.777.2755 24/7 bparch.com



AS BUILT

SMCCCD COLLEGE OF SAN MATEO FINE ARTS COMPLEX BUILDINGS 2 & 4 RENOVATIONS INCREMENT 1 344 CSM DRIVE SAN MATEO, CA 94402

Agency/Approvals section with Identification Stamp, Application No. 01-109245, and Date FEB 27 2008.

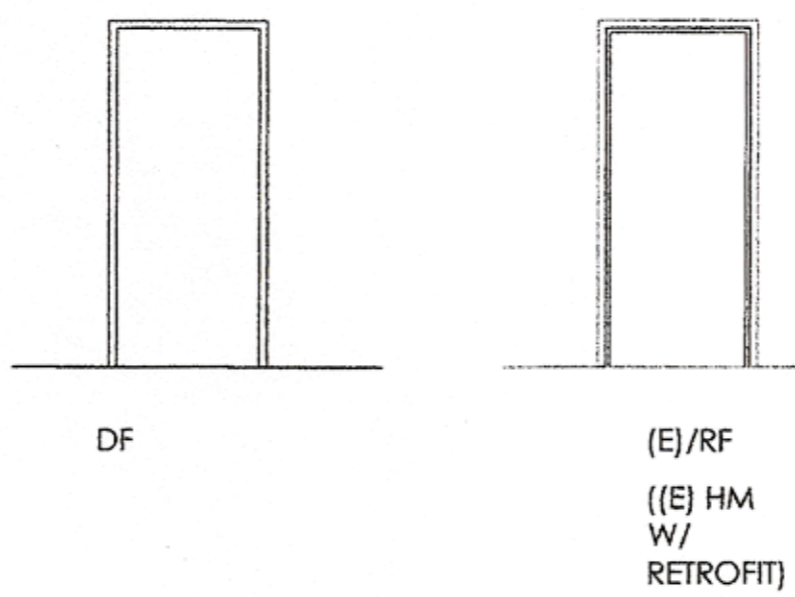
Revision table with columns Date and Description. Entries include 07.17.2007 SD - SUBMITTAL, 09.14.2007 DD - SUBMITTAL, 11.16.2007 CD - SUBMITTAL DSA, 02.27.2008 CD - BACKCHECK DSA, and 03.05.08 DSA APPROVAL.

DOOR SCHEDULE

A-600

Table for Building 4 Door Schedule. Columns include Door Mark, Room Name, Size (Width, Height, Thick), Door Type, Matl., Face/Finish, Glaz., Frame Type, Matl., Face/Finish, Details (Head, Jamb, Thresh-Hold), Fire Rating, Hardware Group, Signage, and Remark.

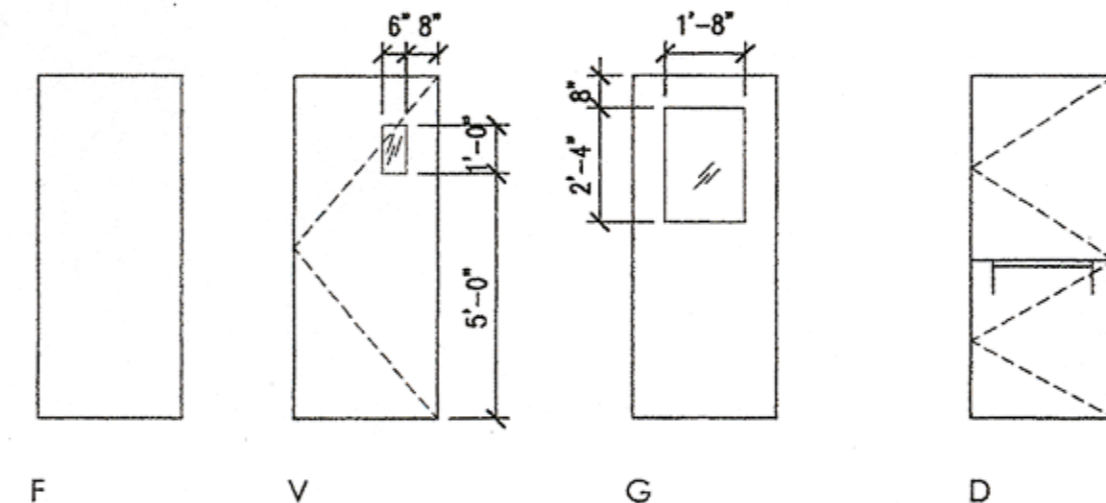
C3 WINDOW TYPES



C4 HARDWARE GRP./ GLAZING KEY

- SIGNAGE TYPE (REFER TO PLANS AND DOOR SCHED FOR LOCATIONS): AE ACCESSIBLE ENTRANCE SIGN, ALS ASSISTIVE LISTENING SYSTEM SIGN, AR ACCESSIBLE ROUTE SIGN, E TACTILE EXIT SIGN READING 'EXIT', ID ROOM IDENTIFICATION SIGN WITH BRAILLE [Axx/0-xxx] (VERIFY SCHEDULED ROOM NAME, TYP.), IDT TOILET ROOM IDENTIFICATION SIGN WITH BRAILLE, MOC MAX. OCCUPANT CAPACITY SIGN, MT MEN'S TOILET ROOM DOOR SIGN, NE NOT AN EXIT SIGN, NWE NOT A WHEELCHAIR ACCESSIBLE EXIT SIGN, UT UNisex TOILET ROOM DOOR SIGN, WT WOMEN'S TOILET ROOM DOOR SIGN.

B3 FRAME TYPES



B4 SIGNAGE KEY

VERIFY ROOM NAME/ NUM W/ OWNER'S REP & A.O.R.

- REMARKS: 1. FRP DOOR W/ ALUM. RETROFIT INSERT FRAME; REPLACE THRESHOLD, 2. UNEQUAL PAIR: LARGER LEAF 3'-0\"/>

A1 DOOR SCHEDULE

A3 DOOR TYPES

A4 SCHEDULE REMARKS KEY