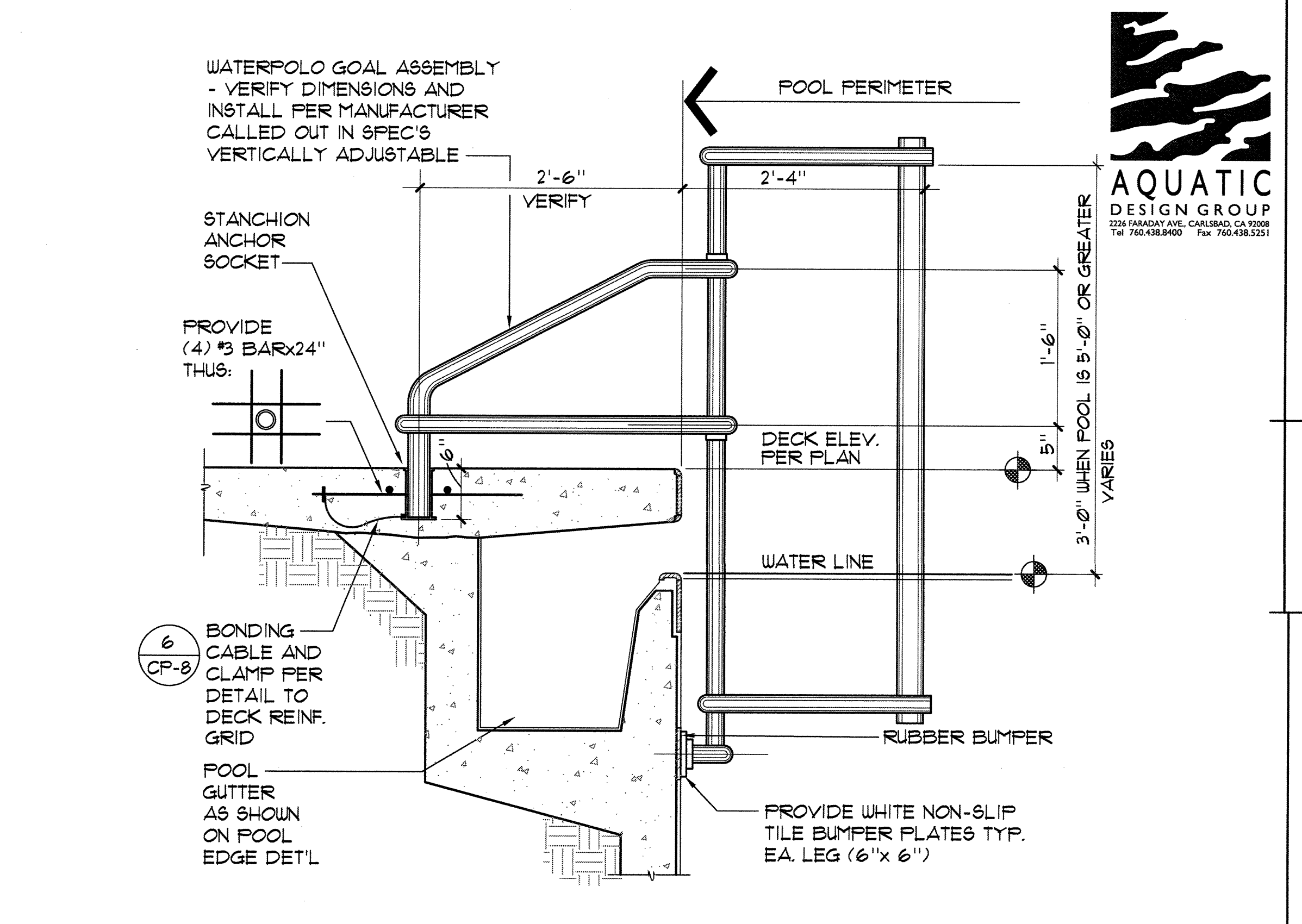


This set of other project documents and all ideas, aesthetic or design incorporated herein are the intellectual property of LPA, INC. (LPA) and cannot be copied, used, reproduced or distributed for any project or system except as described in the contract documents between LPA and Client. LPA hereby grants license herein that the other project documents are, reproduction or modification (except as set forth herein) for the sole use of Client and LPA's Contractor in the manner and subject matter specified in the contract documents. LPA and LPA's Contractor shall not be liable for any damages or liability from project document misuse.
 Project documents remain the property of LPA and shall not be used for any other project or system without the written consent of LPA. LPA and LPA's Contractor are not responsible for any inaccuracies or omissions in these documents and are not responsible for any discrepancies between project documents and the existing conditions.
 © Copyright 2008

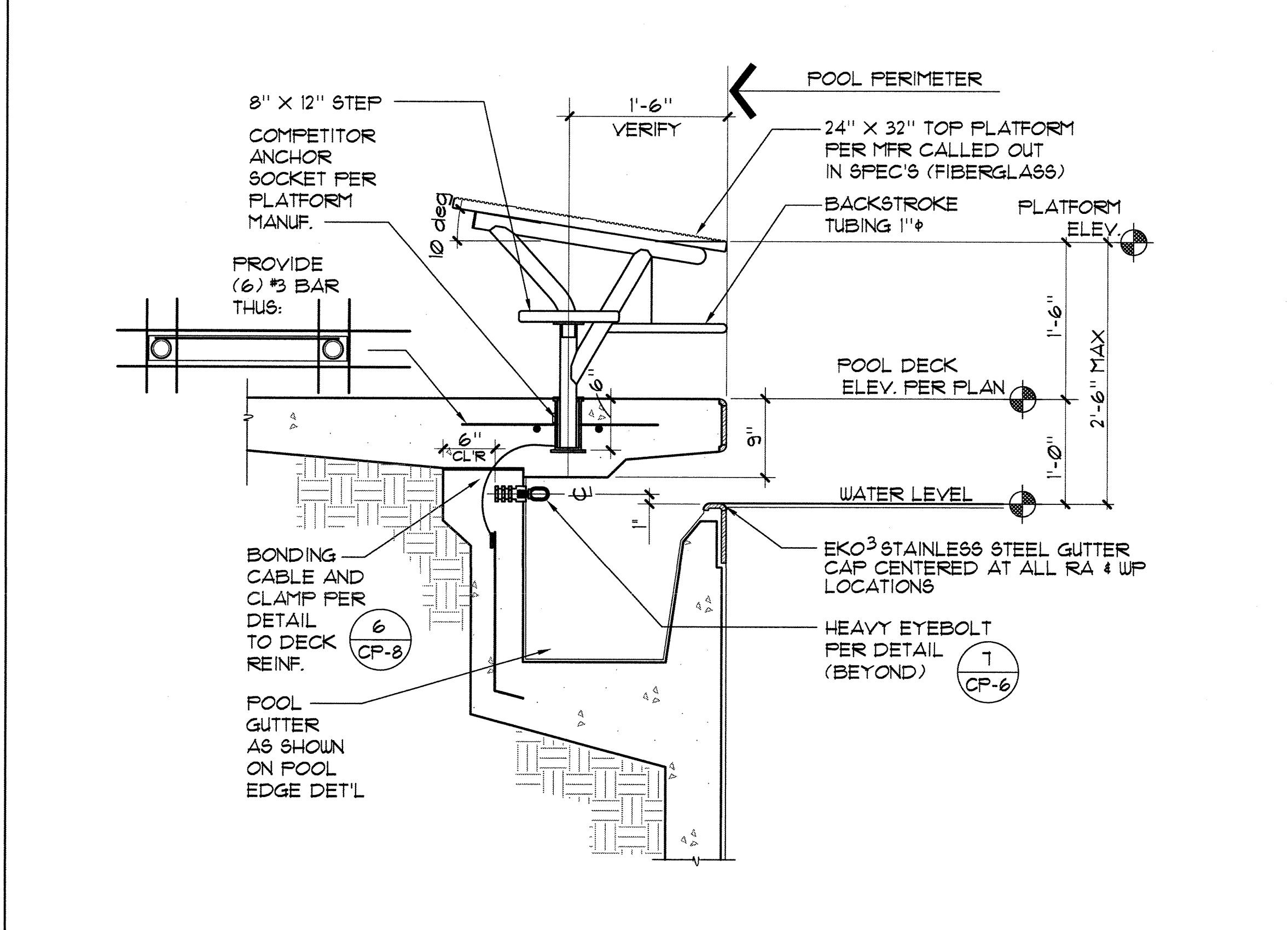
Date	19 SEPT 2008
Revision	09 APRIL 2009
Revision Description	DSA SUBMITTAL DSA FINAL
Date	19 SEPT 2008
Revision	09 APRIL 2009
Revision Description	DSA SUBMITTAL DSA FINAL
Job No.	2708230
Date	09 APRIL 2009
Drawn by	NFC
Checked by	SJF
Scale	AS NOTED

DETAILS

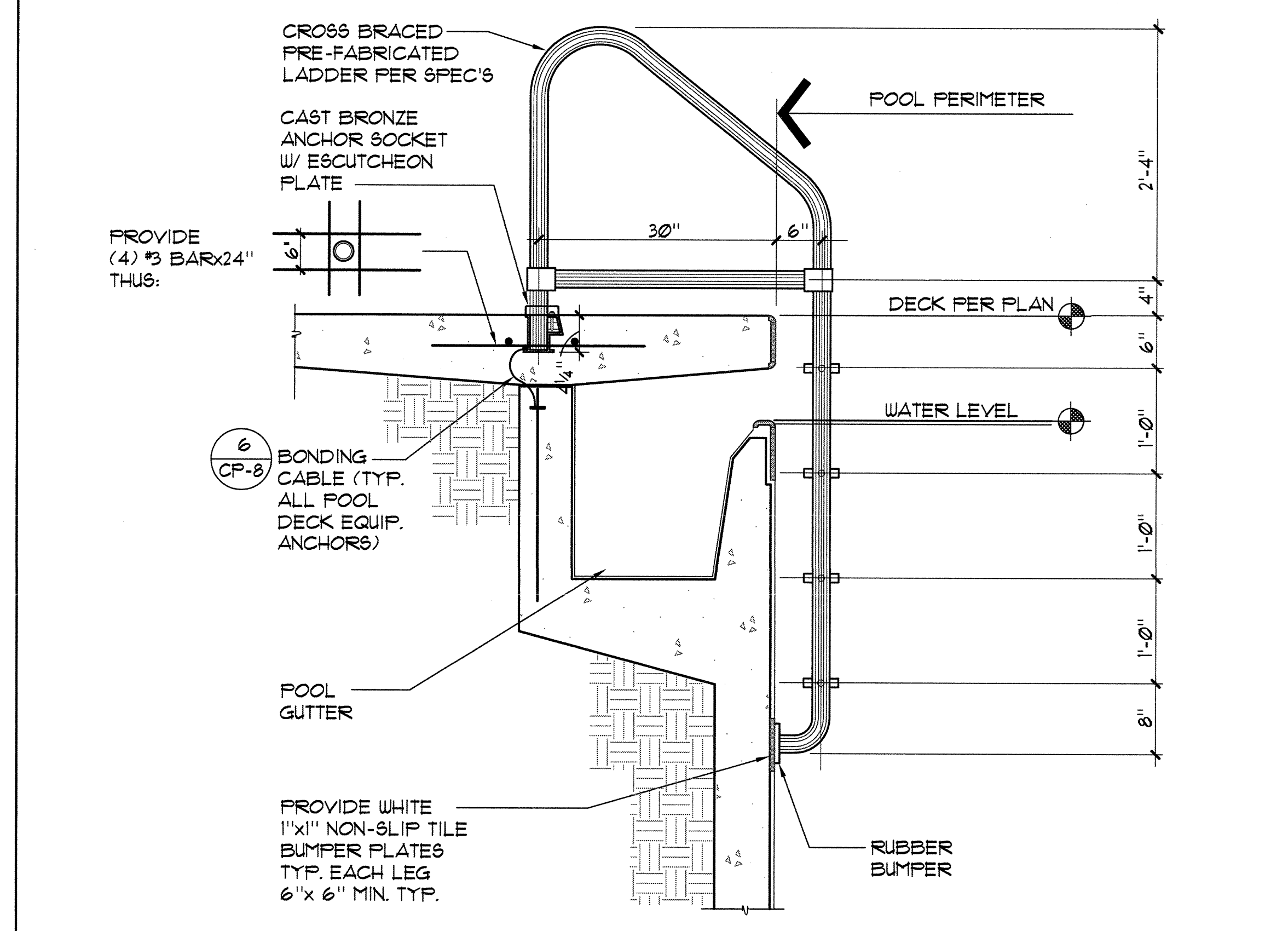
CP-7



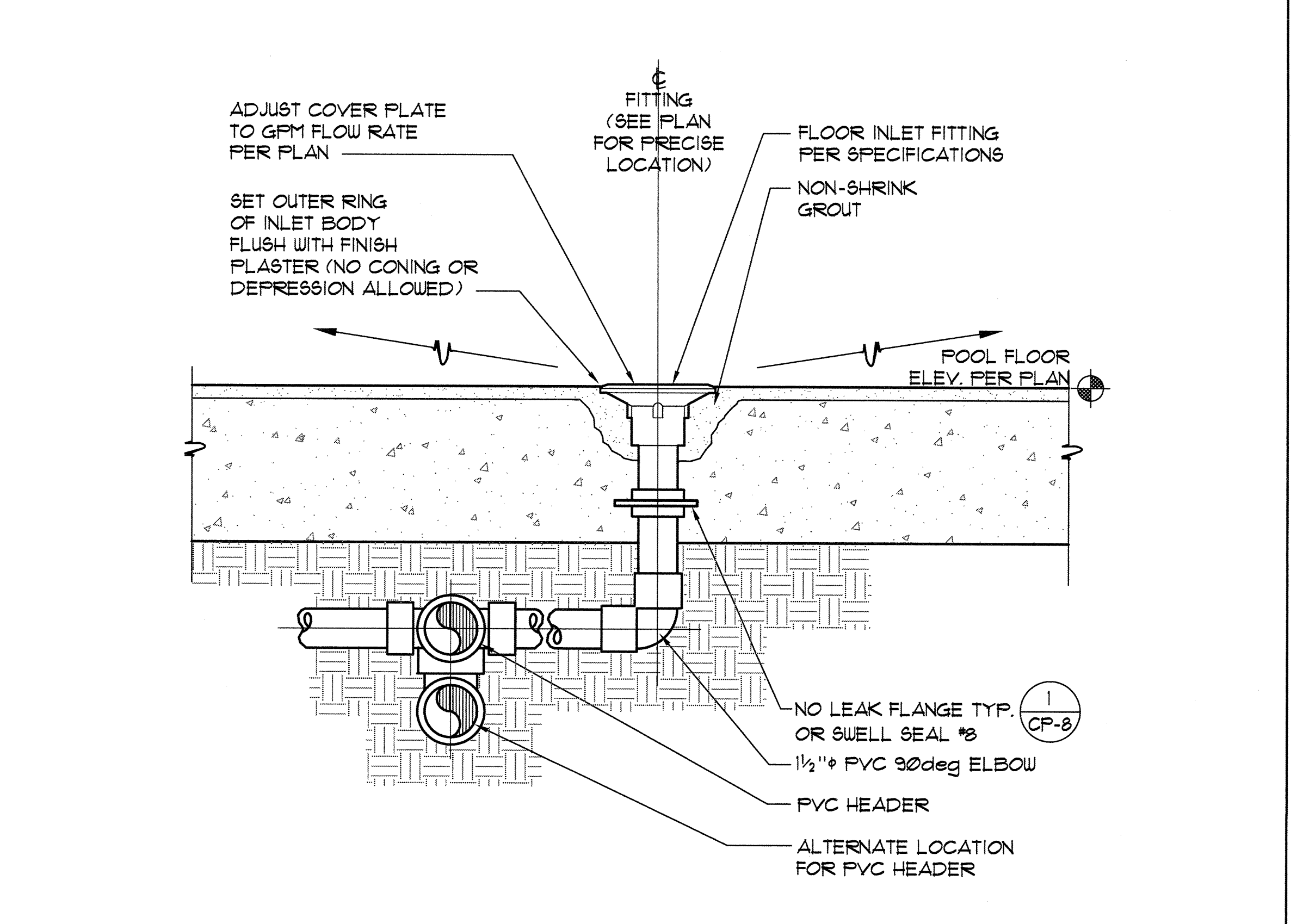
3 WATER POLO GOAL 1" = 1'-0"



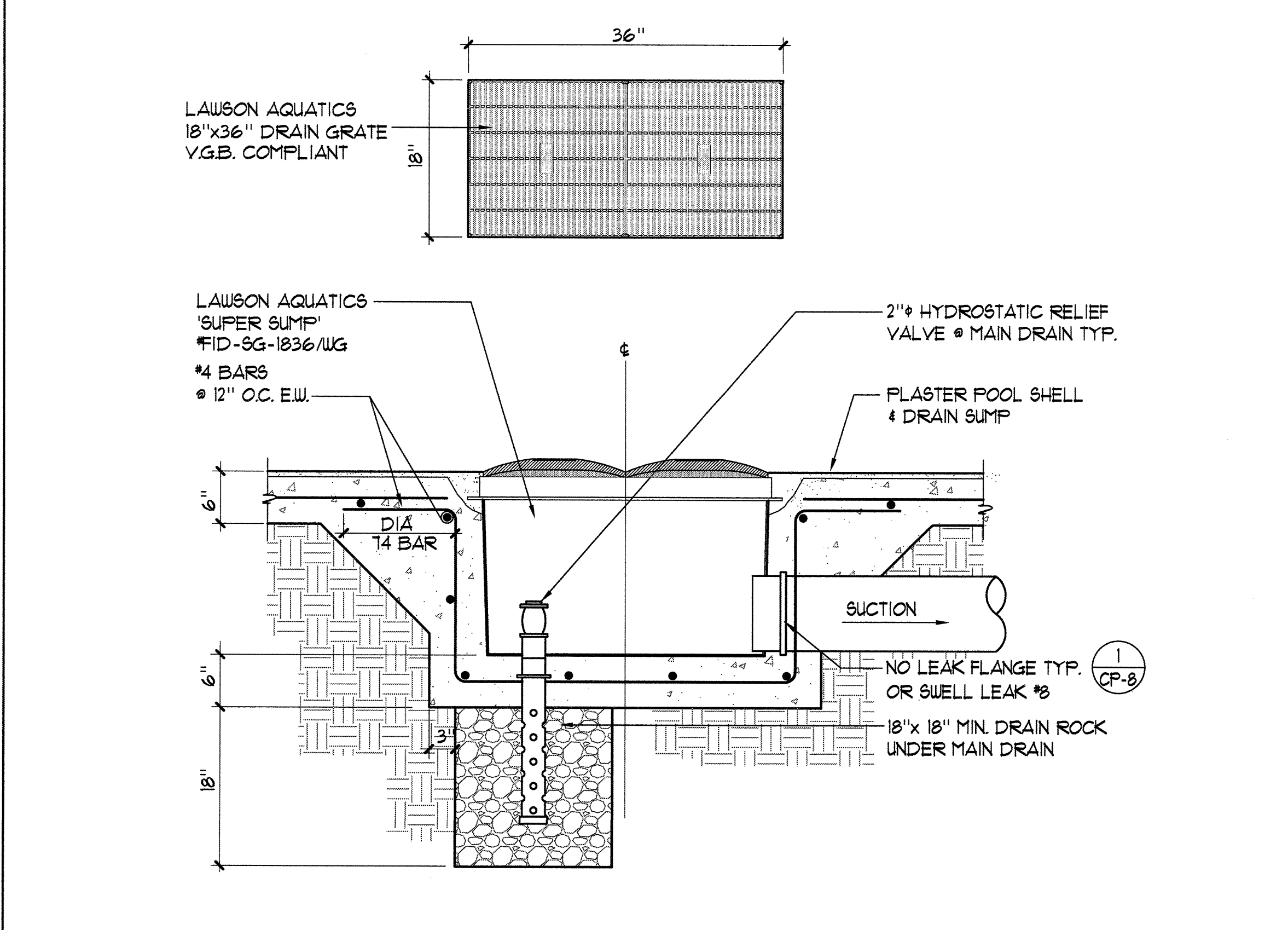
2 RACING PLATFORM 1" = 1'-0"



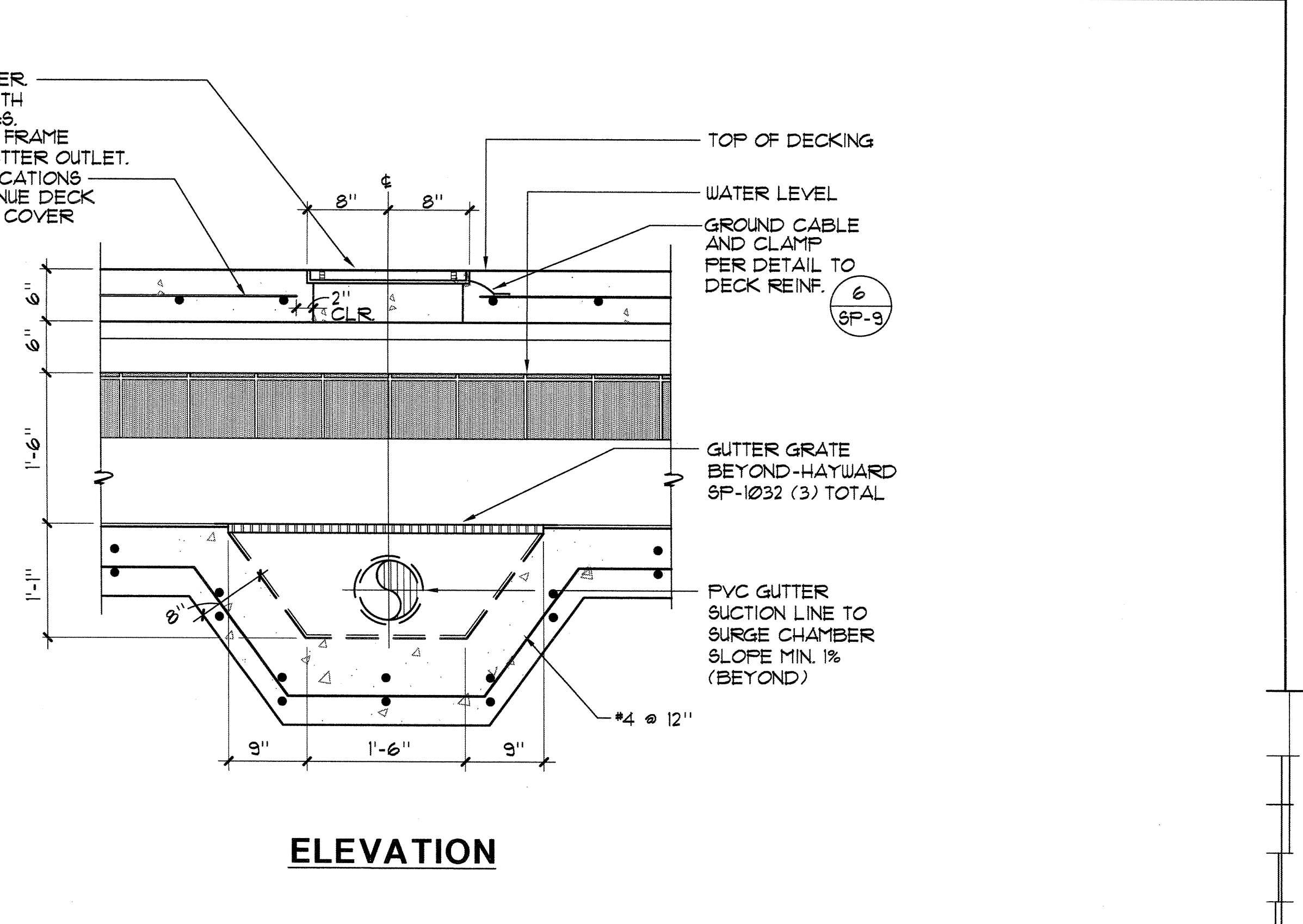
1 POOL LADDER 1" = 1'-0"



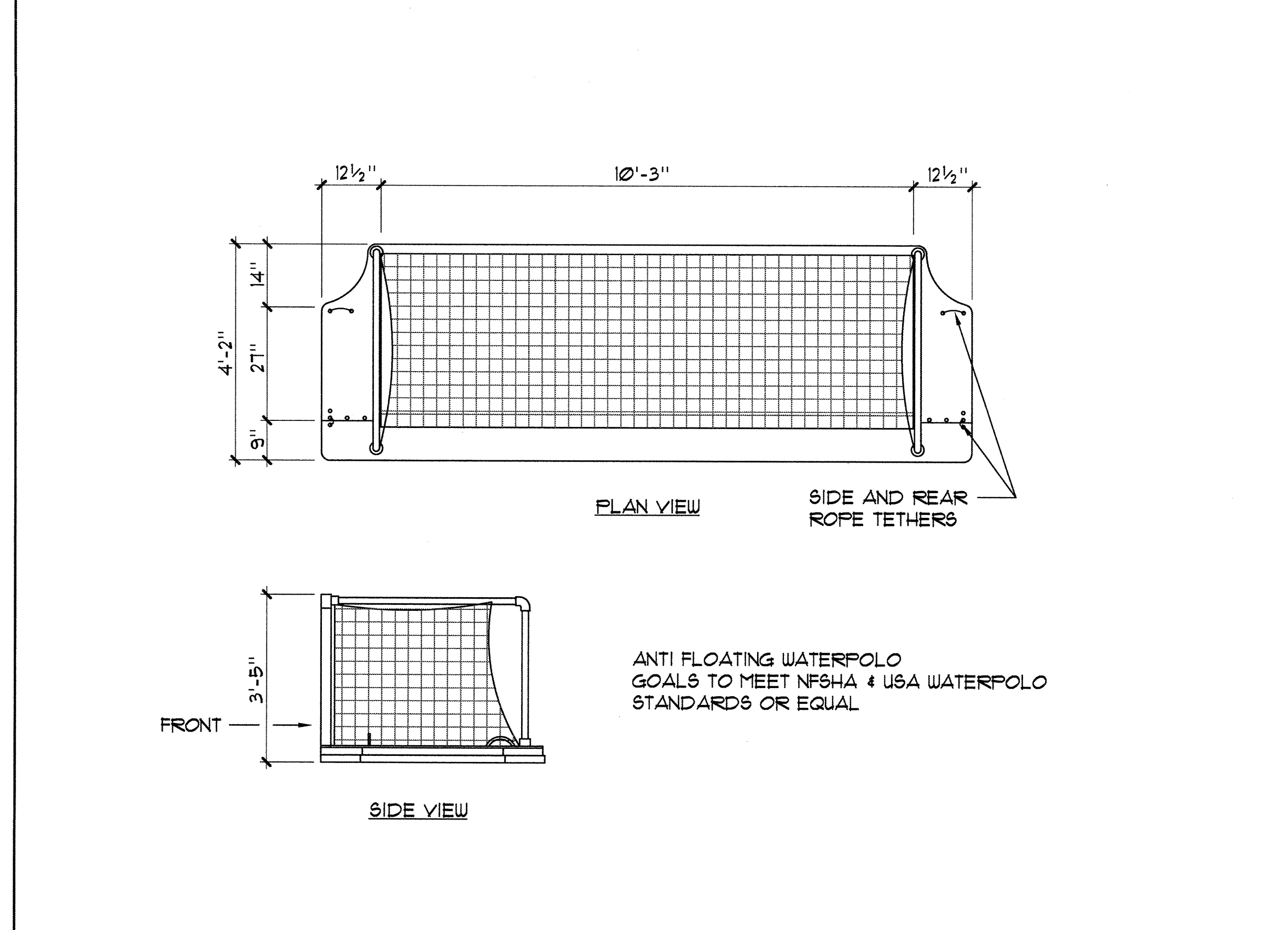
6 FLOOR INLET 3'-1'-0"



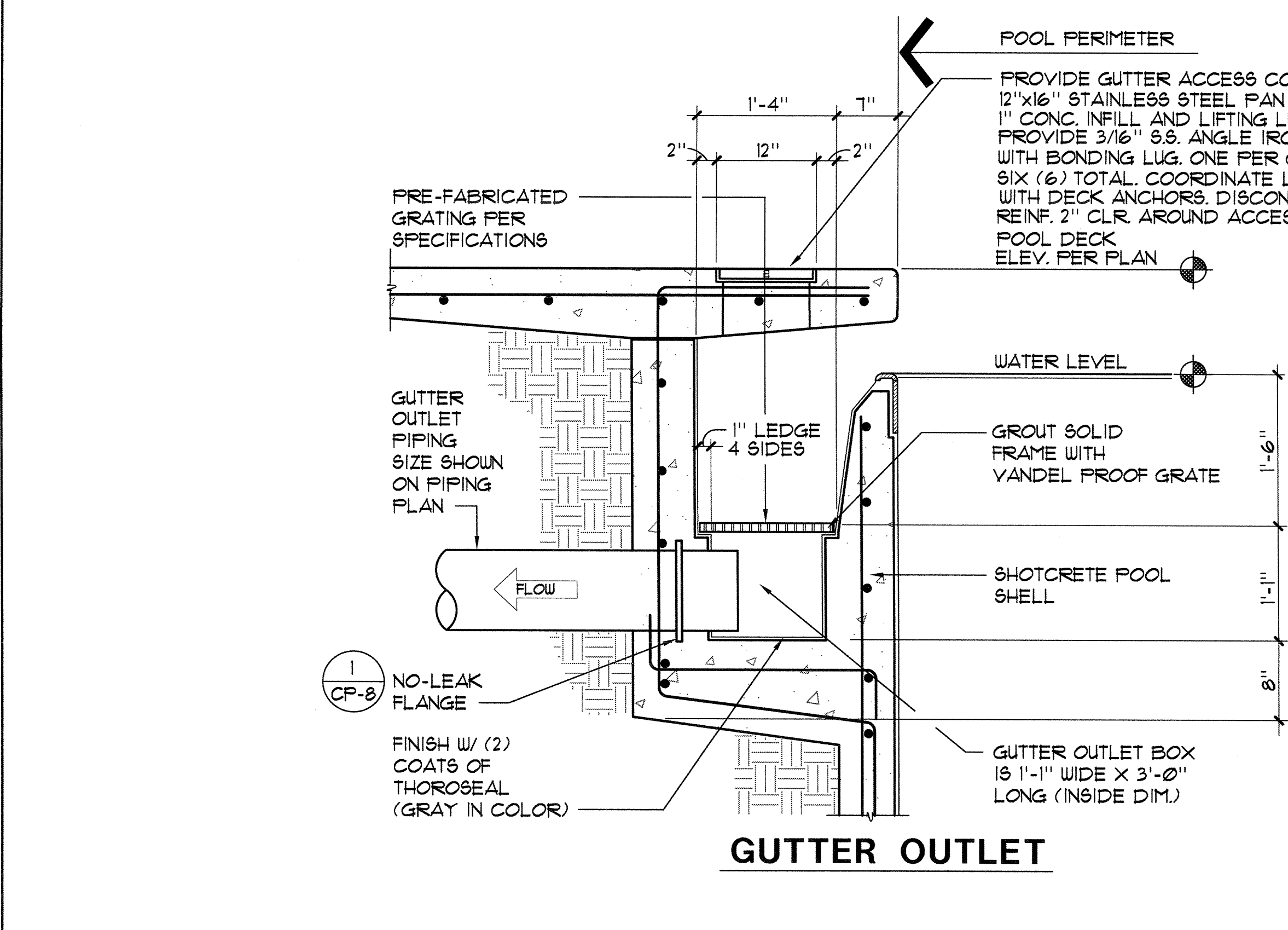
5 MAIN DRAIN 1" = 1'-0"



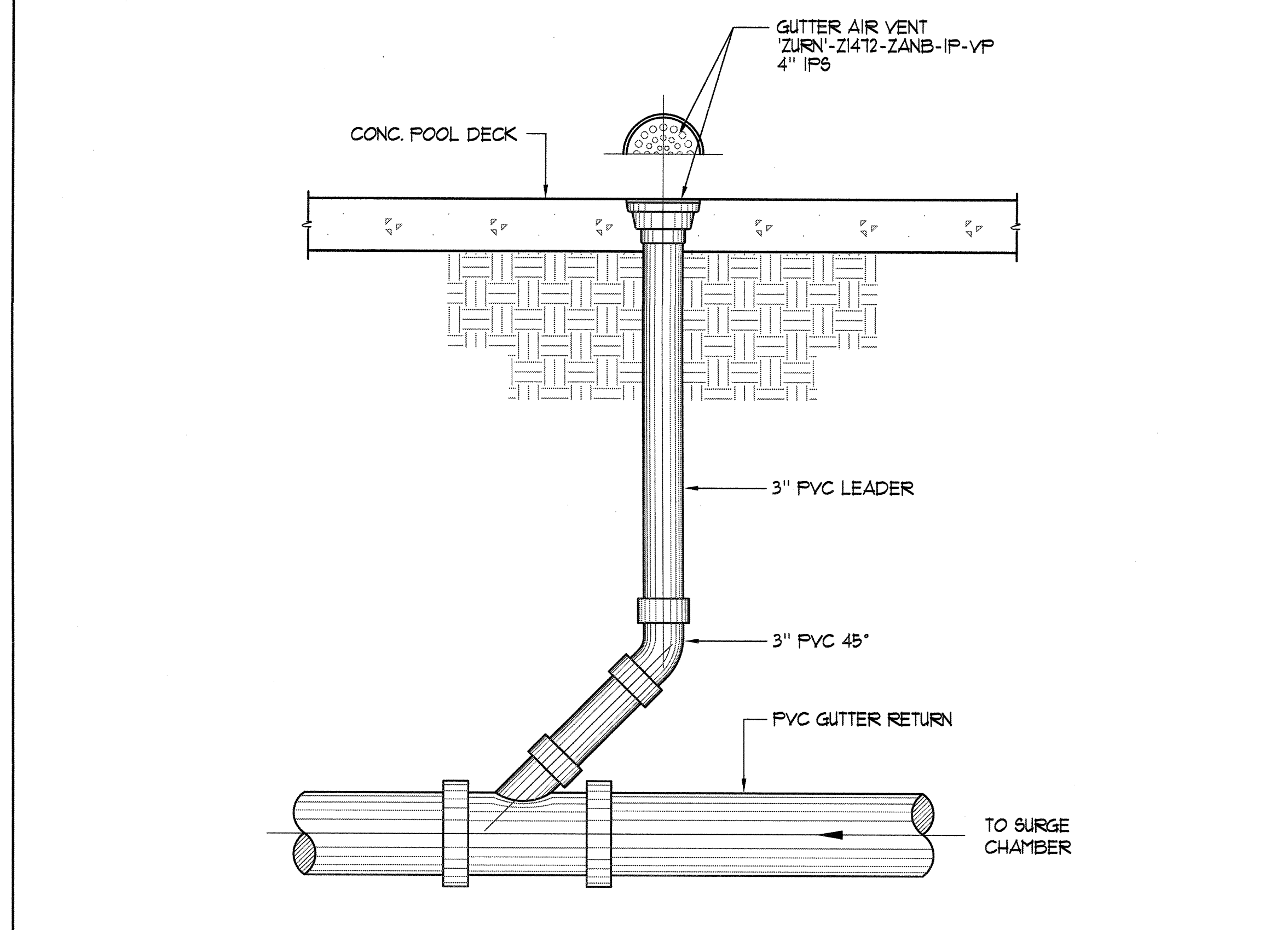
6 GUTTER OUTLET 1" = 1'-0"



4 FLOATING WATER POLO GOALS 1/2" = 1'-0"



5 GUTTER OUTLET 1" = 1'-0"



7 AIR VENT 1" = 1'-0"